

Parts Manual

45RC

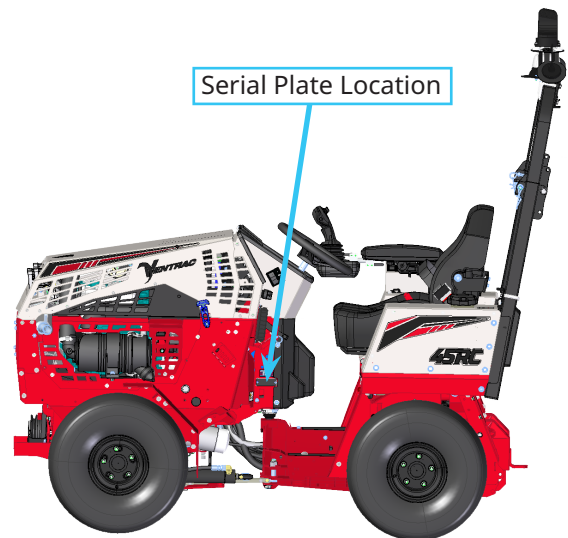
Serial Number 45RC-AU01001--





500 Venture Drive
Orrville OH 44667
www.ventrac.com

Serial Number Description



Engine

N Kubota 32.5 HP WG972-G Gas LC

Notes

- If any component requires replacement, use only original Ventrac replacement parts.
- When ordering new components, be sure to order all required safety decals. All current safety decals must be affixed to the replacement components prior to installation of the component.

TABLE OF CONTENTS

ELECTRICAL	PAGE 7
Wiring Diagram Reference Key.....	7
Wiring Diagram - Dash Harness	8
Wiring Diagram - Dash Harness (Continued).....	9
Wiring Diagram - Rear Harness.....	10
Wiring Diagram - Rear Harness (Continued)	11
Wiring Diagram - Front Harness.....	12
Wiring Diagram - Kubota EFI Harness	13
Wiring Diagram - Hood Harness	14
Wiring Diagram - Optional Female Socket & Male Plug.....	16
Fuse Panel Layout	17
Vehicle Controller Unit.....	18
Battery, Power Cables, & Ground Cables	20
Front Fuse Panel	22
Rear Fuse Panel	24
Beacon & Remote Accessories.....	26
HYDRAULICS, AXLES, & WHEELS	PAGE 28
Hydraulic Diagram	28
Hydraulic Fitting O-Ring Chart.....	30
Hydraulic Oil Tank.....	32
Hydraulic Steering System	34
Front Hitch Hydraulic Lift.....	36
Auxiliary Hydraulic Quick Couplers	38
Front Hydraulic Motor Mount & Fittings	40
Rear Hydraulic Motor Mount & Fittings.....	42
Hydraulic Pump Mount & Fittings	44
Hydraulic Oil Cooler & Fan	46
Hydraulic Drive Circuit Hoses.....	48
Pump Supply Line & Main Hydraulic Filter	50
Hydraulic Implement Circuit Supply & Return.....	52
Front Transaxle & Wheels.....	54
Rear Transaxle & Wheels	56
ProGear Transaxle (51.0095).....	58
Danfoss Hydraulic Motor (21.0149).....	60
4 Spool Valve EH w/Float (23.0230)	62
ENGINE	PAGE 64
45RC Kubota Gas Engine	64
45RC Kubota Gas Engine 13.0325 32 HP LC.....	66
45RC Kubota Gas Engine Mount	68
45RC Kubota Gas PTO Clutch.....	70
45RC Kubota Gas Drive Shaft.....	72
45RC Kubota Gas Muffler	74
45RC Kubota Gas Cooling System	76
45RC Kubota Gas Air Intake	78
45RC Kubota Gas Fuel System	80

TABLE OF CONTENTS

FRAMES / SHEET METAL	PAGE 82
Lower Rear Frame	82
Seat Box & Upper Rear Frame	84
Left Seat Box Panels.....	86
Right Seat Box Panels	88
Roll Bar.....	90
Standard Rear Hitch.....	92
Rear Fenders & Battery Compartment.....	94
Standard Seat Assembly.....	96
Front Frame, Frame Connector Bracket, Hose Retainer.....	98
Front Fenders & Foot Pegs.....	100
Center Pivot & Connector Link.....	102
Front Hitch.....	104
Grill & Headlights	106
Hood.....	108
Dash, Dash Brackets, Decals, & Switches	110
CONTROLS & LINKAGE	PAGE 112
Joystick & Armrest Assembly.....	112
High/Low Range Shift Linkage.....	114
PTO Idler Pulley & Idler Arm	116
PTO Belt Tension Linkage.....	118
Weight Transfer	120
OPTIONS	PAGE 122
70.4108 Raised Platform Kit.....	122
70.4102 Kubota Engine Heater Kit	124
70.4144 Rear Weight Bar Kit	126
Dual Wheels	128
70.4169 Canopy Kit.....	130
70.4172 Front Work Light for Canopy Kit	132
39.56116 Rear Counterweight Bar	134
70.4137 Mid Weight Bar 4500 Kit	136
70.4184 Tool Box Mount, Small	138
70.4185 Tool Box Mount, Large	140
70.4195 Directional/Hazard ECE Kit	142
70.4159 Dual Tire Chain Kit.....	144
Radio Mount (Kit #70.4212).....	146

TABLE OF CONTENTS

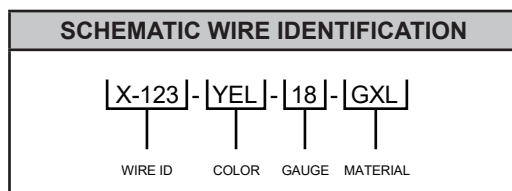
Blank Page

ELECTRICAL

Wiring Diagram Reference Key

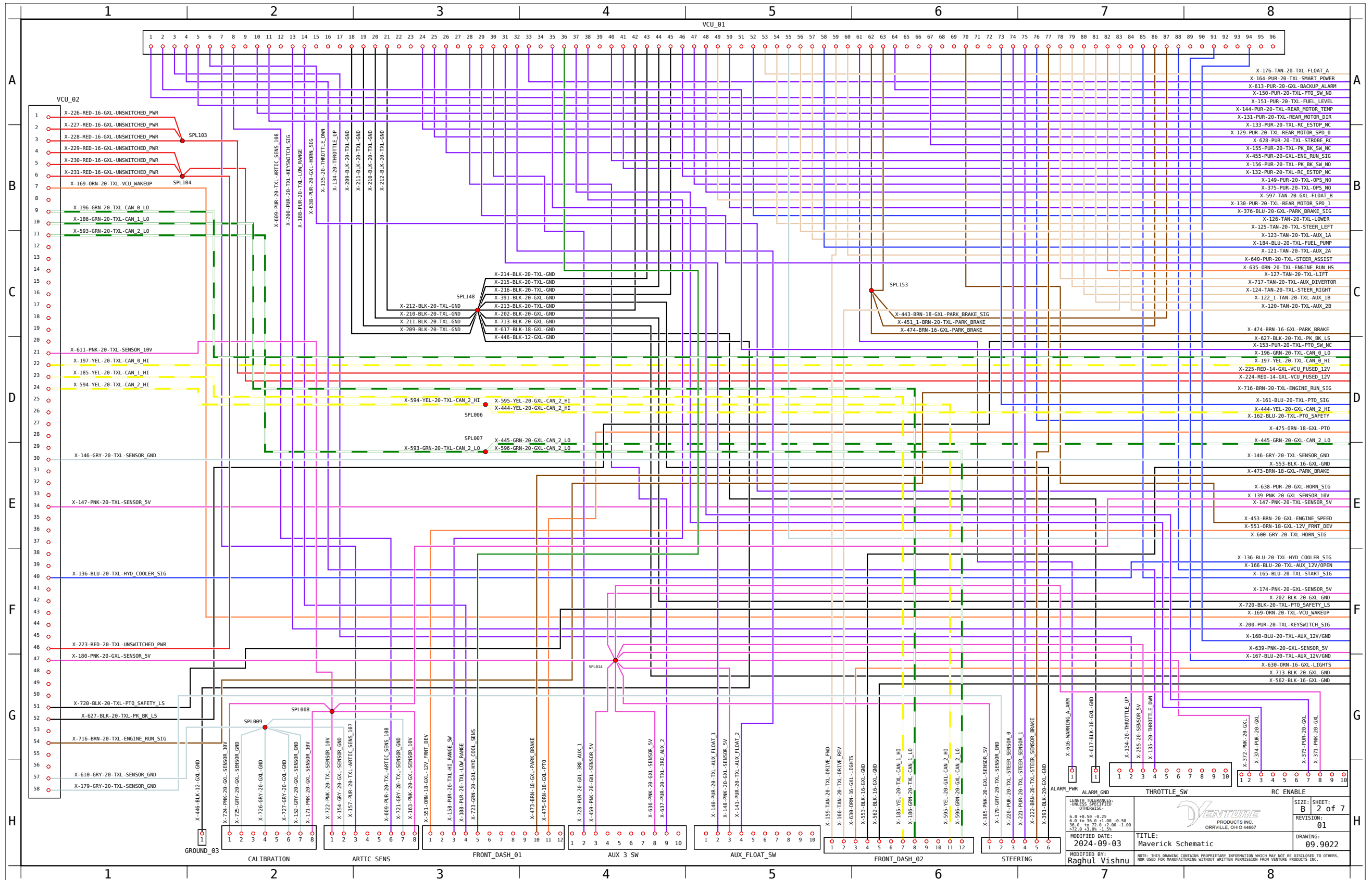
INDEX			
SHEET #	WIRING CIRCUIT	HARNESS PART #	DESCRIPTION
1	INDEX/REFERENCE PAGE		
2 & 3	DASH HARNESS	32.0259	HARNESS, WIRE 45RC DASH
4 & 5	REAR HARNESS	32.0260	HARNESS, WIRE 45RC REAR
6	FRONT	32.0261	HARNESS, WIRE 45RC FRONT
7	KUBOTA ENGINE 45RC	32.0262	HARNESS, WIRE 45RC KUBOTA ENGINE
8	HEADLIGHT	32.0234	HARNESS, WIRE 45RC HOOD

WIRE COLOR NAMING CONVENTION		
CODE	COLOR	CIRCUIT COLOR DESCRIPTION
BLK	BLACK	GROUND
BRN	BROWN	PARK BRAKE
GNR	GREEN	STARTER CIRCUIT
GRY	GRAY	SENSOR GROUND
ORN	ORANGE	KEY SWITCH POWER
BLU	BLUE	VCU SAFETY SIGNAL OUT
PNK	PINK	5V / 10V SUPPLY
PUR	PURPLE	VCU SIGNAL IN
RED	RED	UNSWITCHED POWER
TAN	TAN	VALVE COIL INPUT
WHT	WHITE	DIRECT POWER (DIRECT TO BATTERY)
YEL	YELLOW	LIGHTS / DIRECTIONAL
YEL/GRN	YELLOW/GREEN TWISTED PAIR	CAN NETWORK



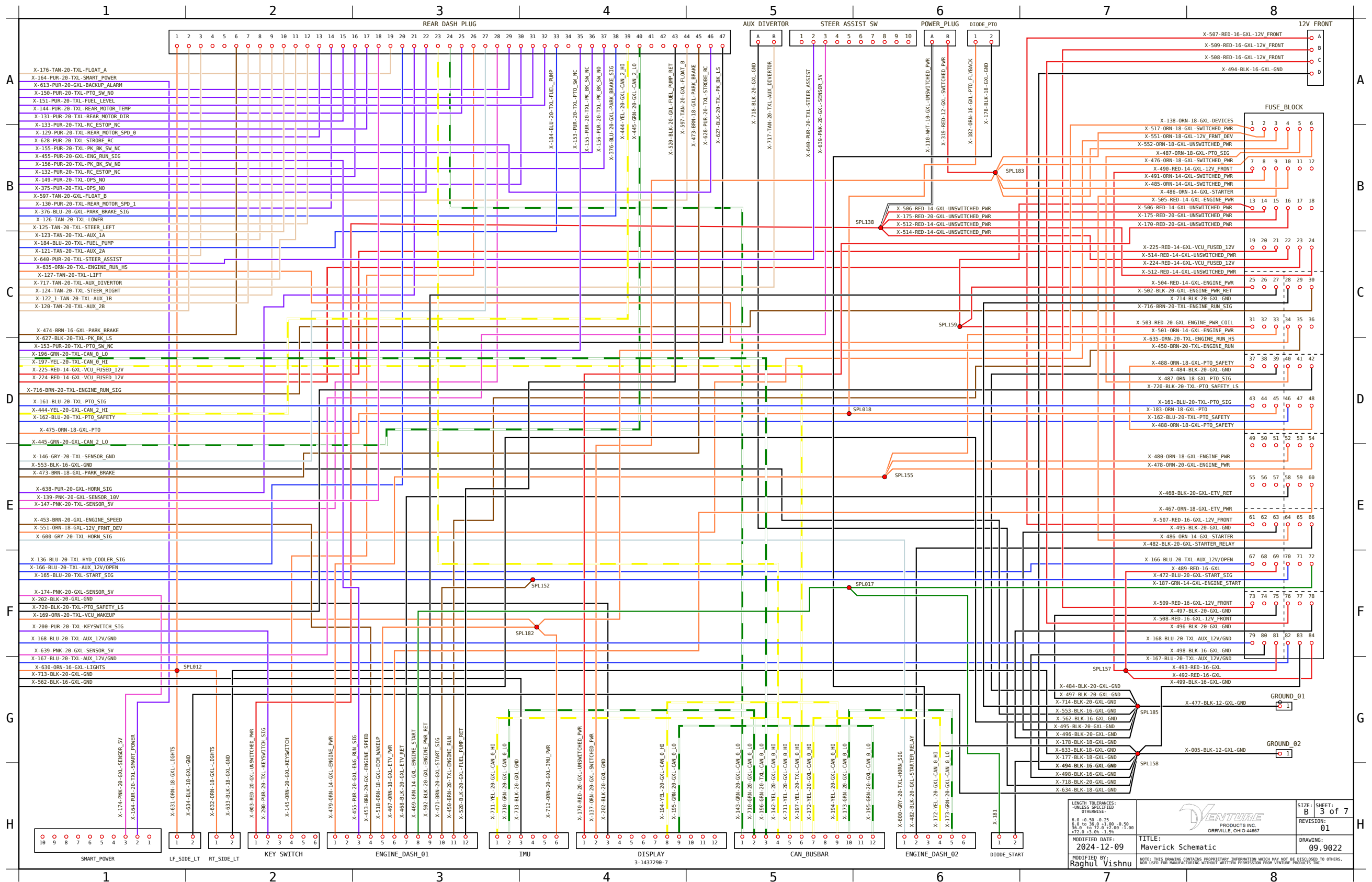
ELECTRICAL

Wiring Diagram - Dash Harness



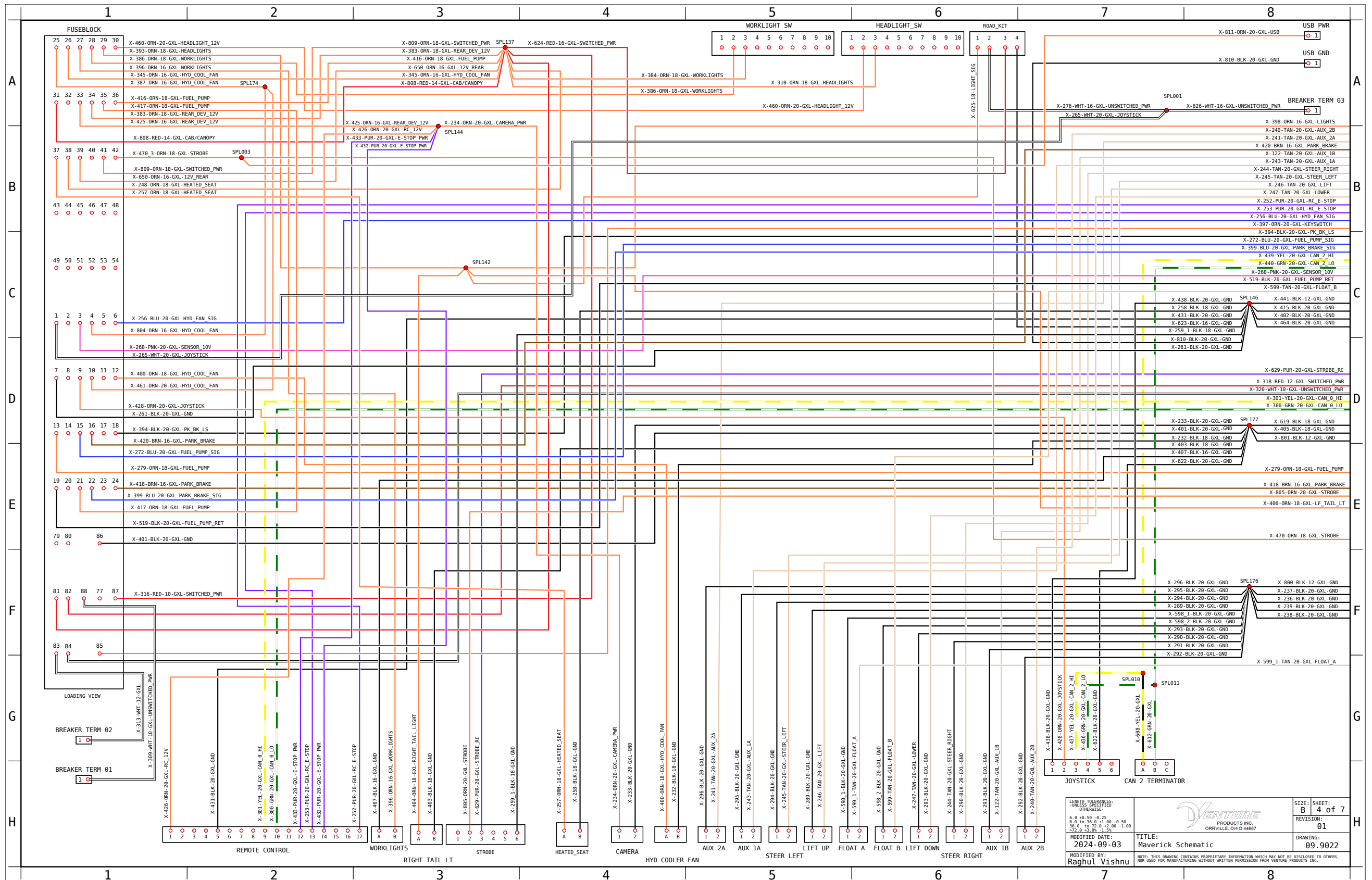
ELECTRICAL

Wiring Diagram - Dash Harness (Continued)



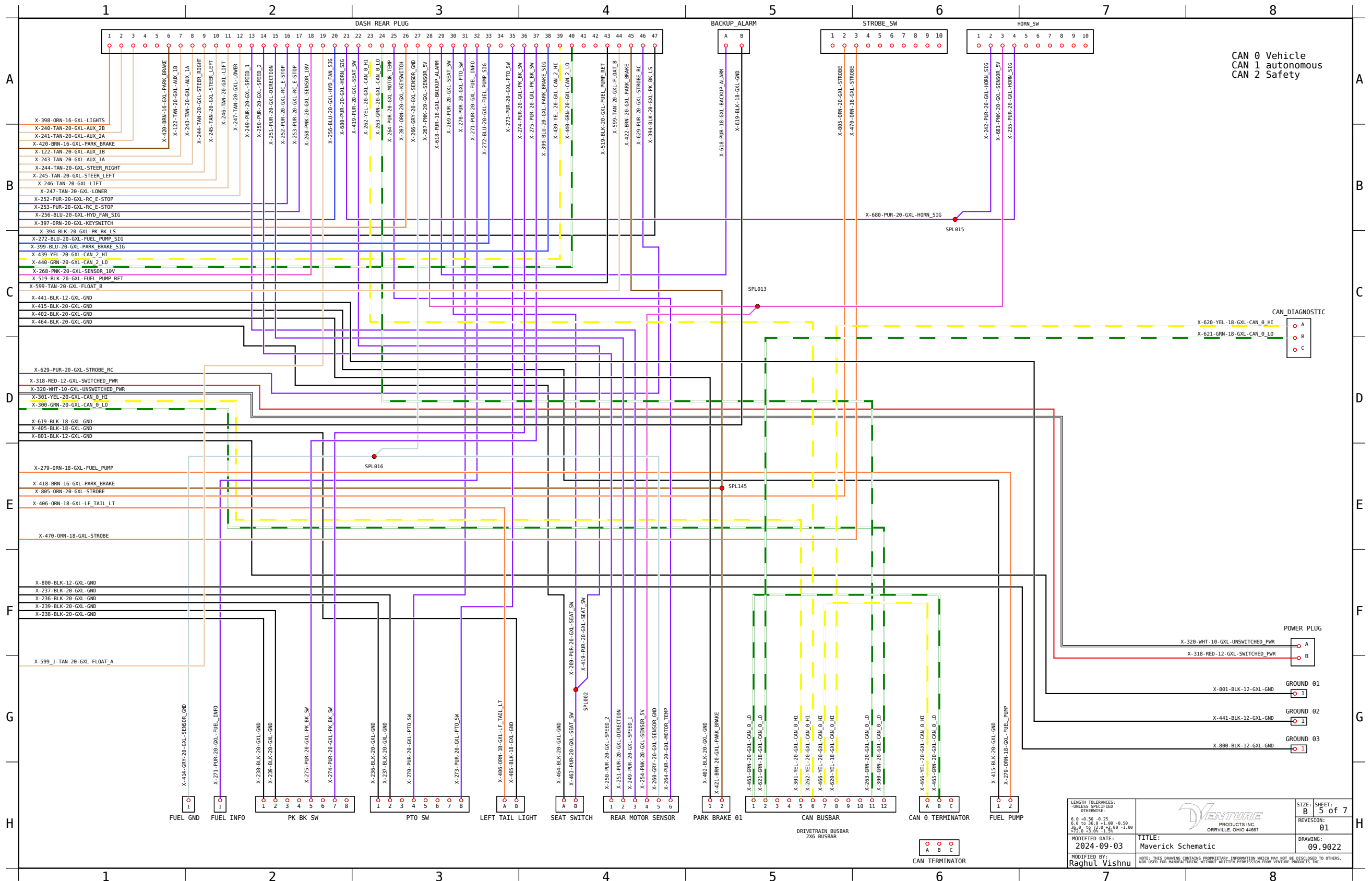
ELECTRICAL

Wiring Diagram - Rear Harness

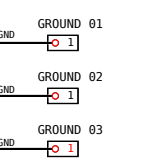
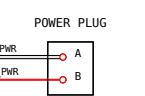
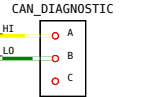


ELECTRICAL

Wiring Diagram - Rear Harness (Continued)



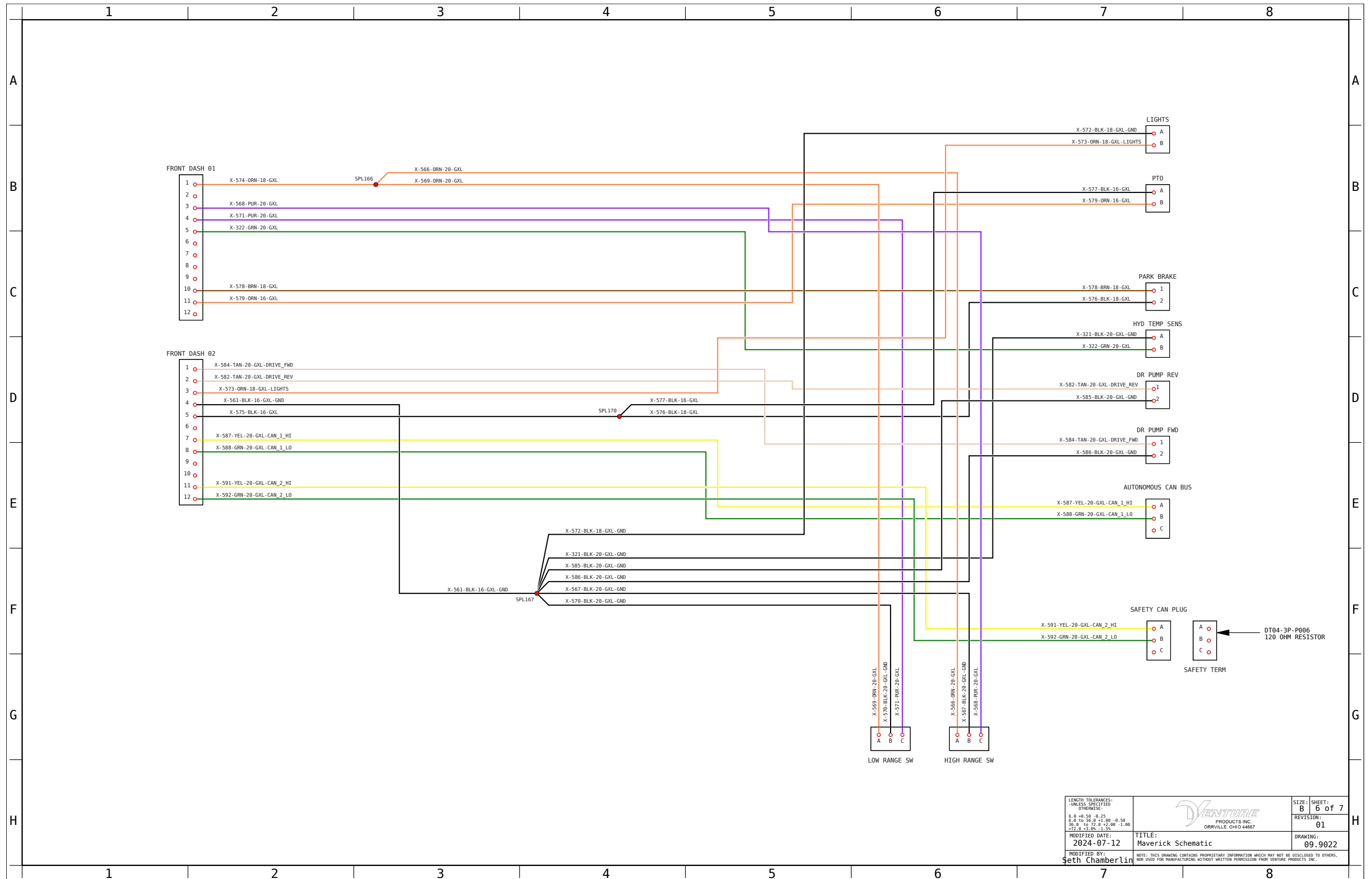
CAN 0 Vehicle
CAN 1 autonomous
CAN 2 Safety



LENGTH TOLERANCES: UNLESS SPECIFIED OTHERWISE: 6.0 +0.50 -0.25 6.0 10 30.0 +1.00 -0.50 30.0 15 22.0 +2.00 -1.00 22.0 20.00 -1.50	PRODUCTS INC ORRVILLE, OHIO 44667	SIZE: SHEET of 7 B 5 of 7 REVISION: 01 DRAWING: 09.9022
MODIFIED DATE: 2024-09-03 MODIFIED BY: Raghu Vishnu	TITLE: Maverick Schematic	NOTE: THIS DRAWING CONTAINS PROPRIETARY INFORMATION WHICH MAY NOT BE DISCLOSED TO OTHERS, NOR USED FOR MANUFACTURING WITHOUT WRITTEN PERMISSION FROM VENTURE PRODUCTS INC.

ELECTRICAL

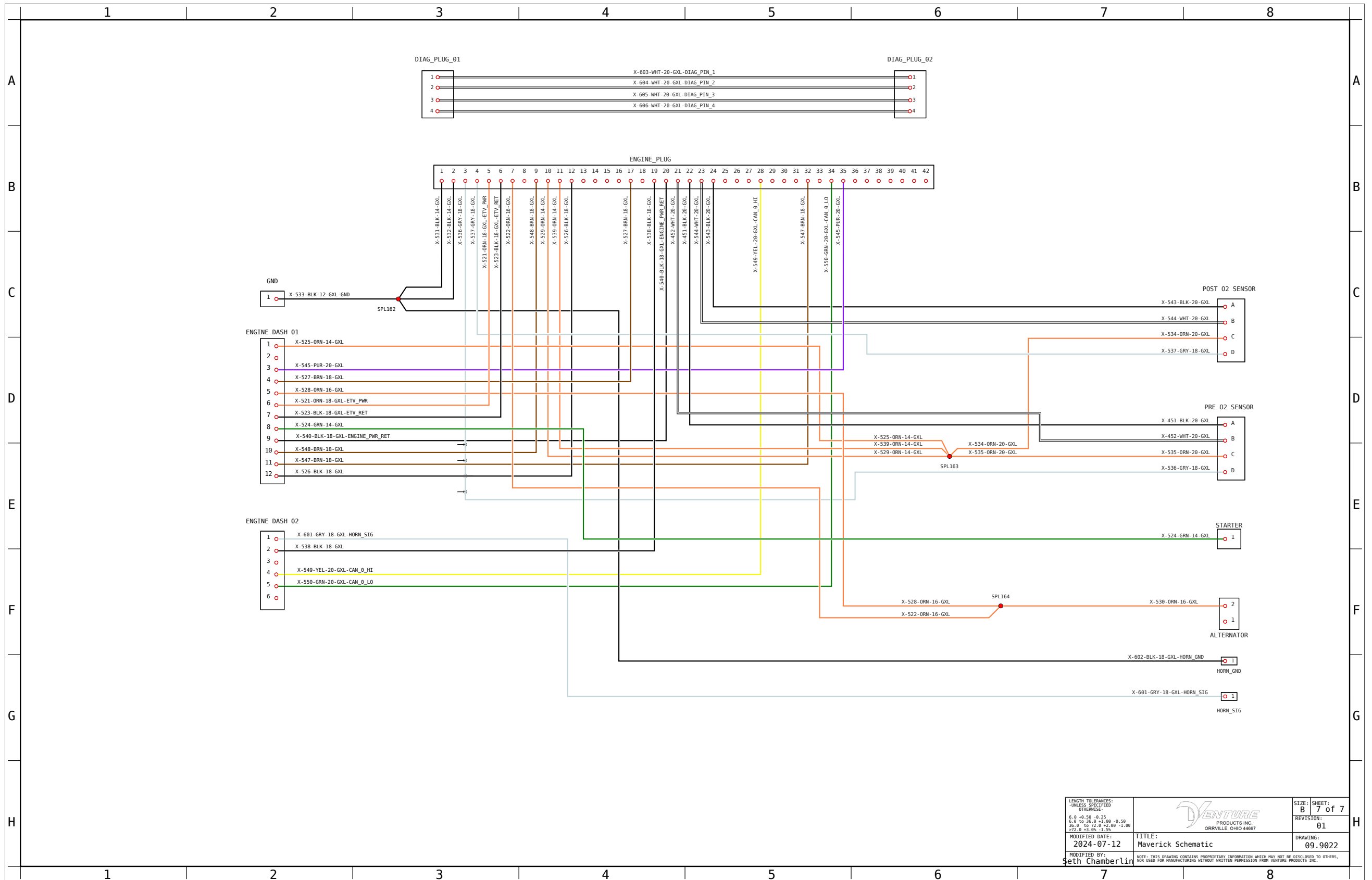
Wiring Diagram - Front Harness




LENGTH TOLERANCES: UNLESS SPECIFIED OTHERWISE: 6.0 to 50.0 ±0.25 50.0 to 72.0 ±0.50 72.0 to 120.0 ±1.00 120.0 to 250.0 ±1.50	VENTURE PRODUCTS INC. ORRVILLE, OHIO 44667	SIZE: B	SHEET: 6 of 7
		MODIFIED DATE: 2024-07-12	TITLE: Maverick Schematic
MODIFIED BY: Seth Chamberlin		NOTE: THIS DRAWING CONTAINS PROPRIETARY INFORMATION WHICH MAY NOT BE DISCLOSED TO OTHERS. NOR USED FOR MANUFACTURING WITHOUT WRITTEN PERMISSION FROM VENTURE PRODUCTS INC.	

ELECTRICAL

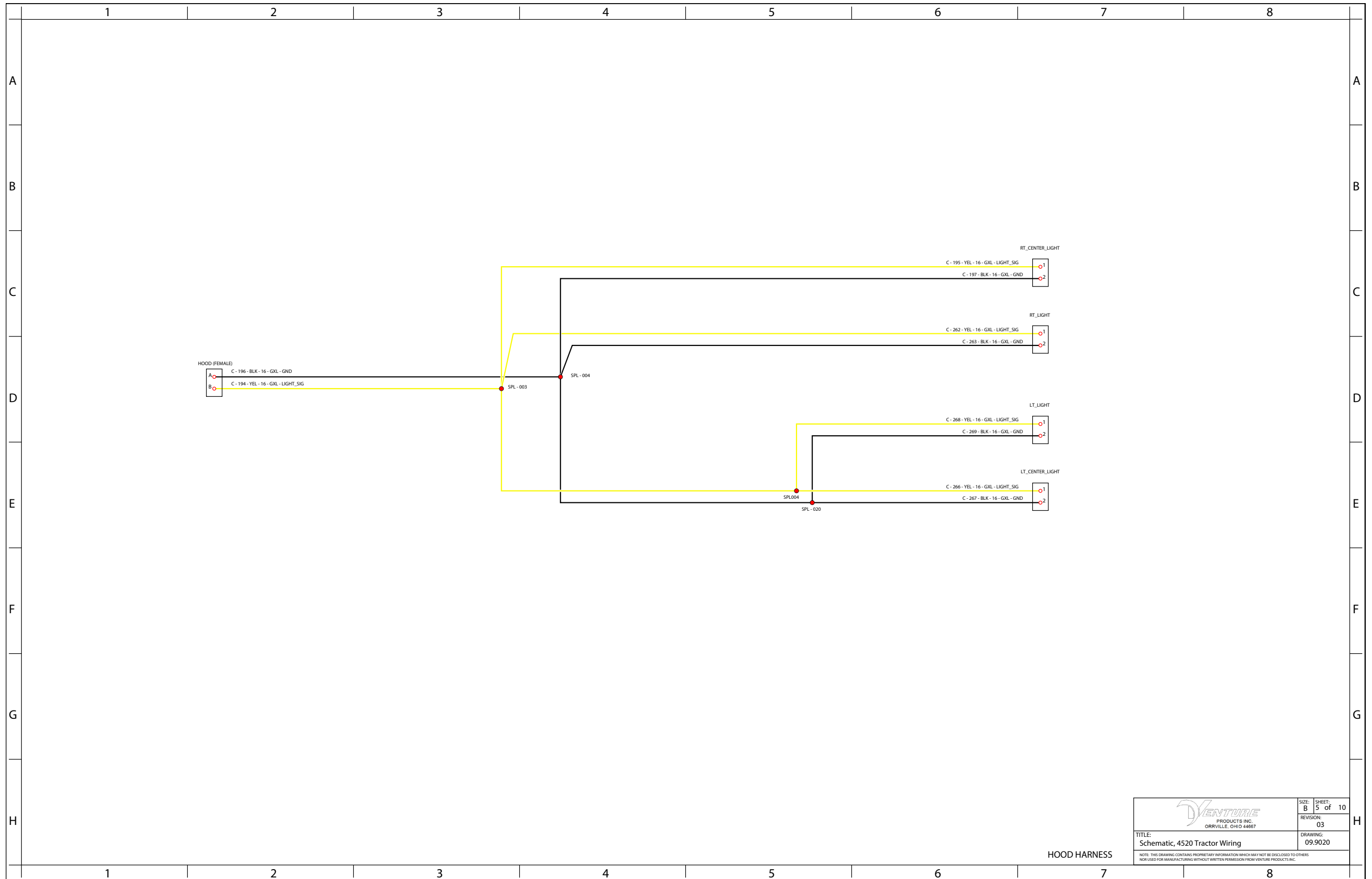
Wiring Diagram - Kubota EFI Harness



LENGTH TOLERANCES: -UNLESS SPECIFIED OTHERWISE: 6.0 +0.50 -0.25 6.0 TO 36.0 +1.00 -0.50 36.0 TO 72.0 +2.00 -1.00 >72.0 +3.00 -1.50	 PRODUCTS INC. ORRVILLE, OHIO 44667	SIZE: B	SHEET: 7 of 7
		REVISED: 01	DRAWING: 09.9022
MODIFIED DATE: 2024-07-12 MODIFIED BY: Seth Chamberlin	TITLE: Maverick Schematic	NOTES: THIS DRAWING CONTAINS PROPRIETARY INFORMATION WHICH MAY NOT BE DISCLOSED TO OTHERS, NOR USED FOR MANUFACTURING WITHOUT WRITTEN PERMISSION FROM VENTURE PRODUCTS INC.	

ELECTRICAL

Wiring Diagram - Hood Harness



HOOD HARNESS

 VENTURE PRODUCTS INC. ORRVILLE, OHIO 44667		SIZE: B	SHEET: 5 of 10
		REVISION: 03	DRAWING: 09.9020
TITLE: Schematic, 4520 Tractor Wiring			
<small>NOTE: THIS DRAWING CONTAINS PROPRIETARY INFORMATION WHICH MAY NOT BE DISCLOSED TO OTHERS NOR USED FOR MANUFACTURING WITHOUT WRITTEN PERMISSION FROM VENTURE PRODUCTS INC.</small>			

Blank Page

ELECTRICAL

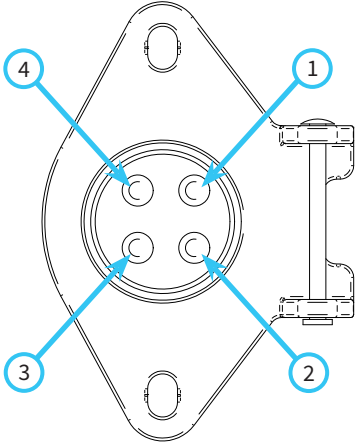
Wiring Diagram - Optional Female Socket & Male Plug

Attention

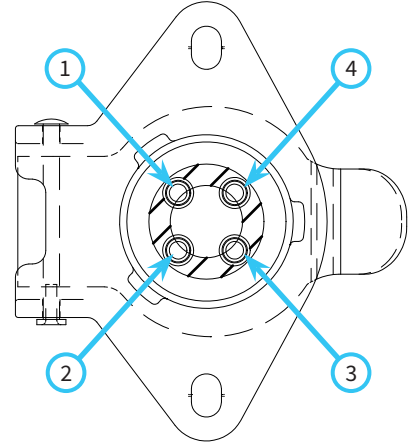
This connector (4-pin socket) is designed for use with Ventrac original equipment only.
 This connector (4-pin socket) is rated for 20 amp maximum current draw. Engine alternator and/or battery capacity determine allowable continuous draw.

30.0219 4-pin female socket is used in the 70.4161 12 Volt Front kit & 70.4217 12 Volt Rear kit.

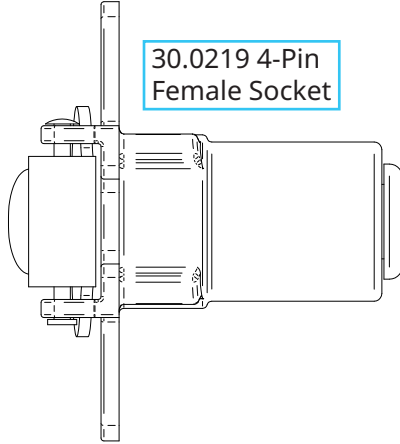
**Front View of Socket
Without Cover**



Rear View of Socket



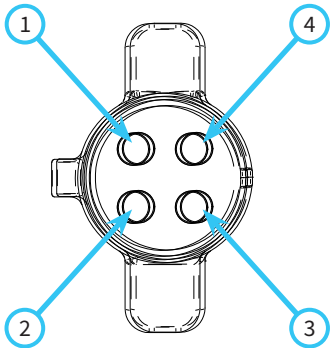
**30.0219 4-Pin
Female Socket**



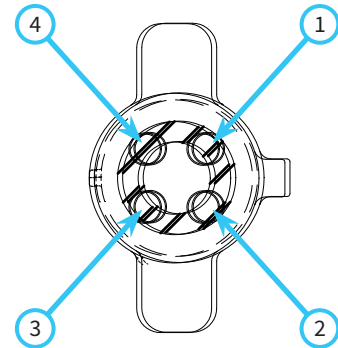
Terminal Position	Wire Color	Function
1	White	Positive (On/Off Switched)
2	Black	Negative (Constant)
3	Red	Positive/Negative (Momentary Switched Reversing)
4	Green or Brown	Positive/Negative (Momentary Switched Reversing)

30.0218 4-pin plug is used on attachments to connect to the 30.0219 socket on the power unit.

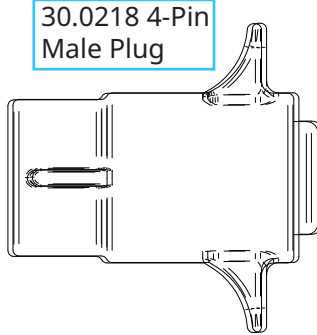
Front View of Plug



Rear View of Plug



**30.0218 4-Pin
Male Plug**



Terminal Position	Wire Color	Function
1	Not Specified*	Positive (On/Off Switched)
2	Not Specified*	Negative (Constant)
3	Not Specified*	Positive/Negative (Momentary Switched Reversing)
4	Not Specified*	Positive/Negative (Momentary Switched Reversing)

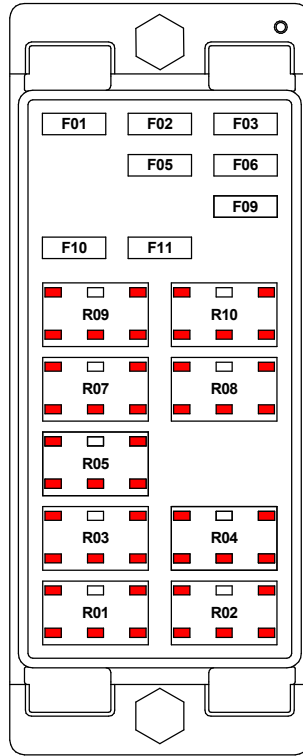
* Refer to the part diagram in the attachment's parts manual for specific wire color and terminal position for each model.

ELECTRICAL

Fuse Panel Layout

Front Fuse Panel

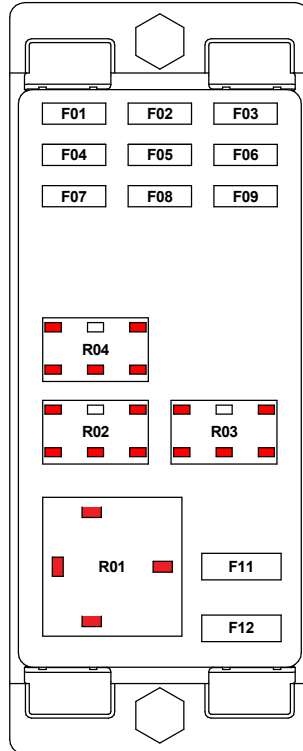
Relays		
Location	Function	P/N
R01	12V Front	35.0117
R02	12V Front	35.0117
R03	Starter	35.0117
R04	12V Front	35.0117
R05	Kubota ETV	35.0117
R06	Blank	
R07	PTO Safety	35.0117
R08	PTO	35.0117
R09	Engine Stop	35.0117
R10	Eng. PWR Relay	35.0117



ATM Fuses			
Location	Fuse (Amps)	Circuit	P/N
F01	15	PTO	30.0334
F02	10	Front Harness 12V	30.0333
F03	5	Dash Harness 12V	30.0332
F04	-	Blank	
F05	10	Starter	30.0333
F06	25	12V Front	30.0429
F07	-	Blank	
F08	-	Blank	
F09	30	Engine Power	30.0445
F10	25	VCU Power 1	30.0429
F11	25	VCU Power 2	30.0429
F12	-	Blank	

Rear Fuse Panel

Relays		
Location	Function	P/N
R01	Keyed Power	35.0167
R02	Park Brake	35.0117
R03	Fuel Pump	35.0117
R04	Hydraulic Cooler Fan	35.0117
R05	Blank	

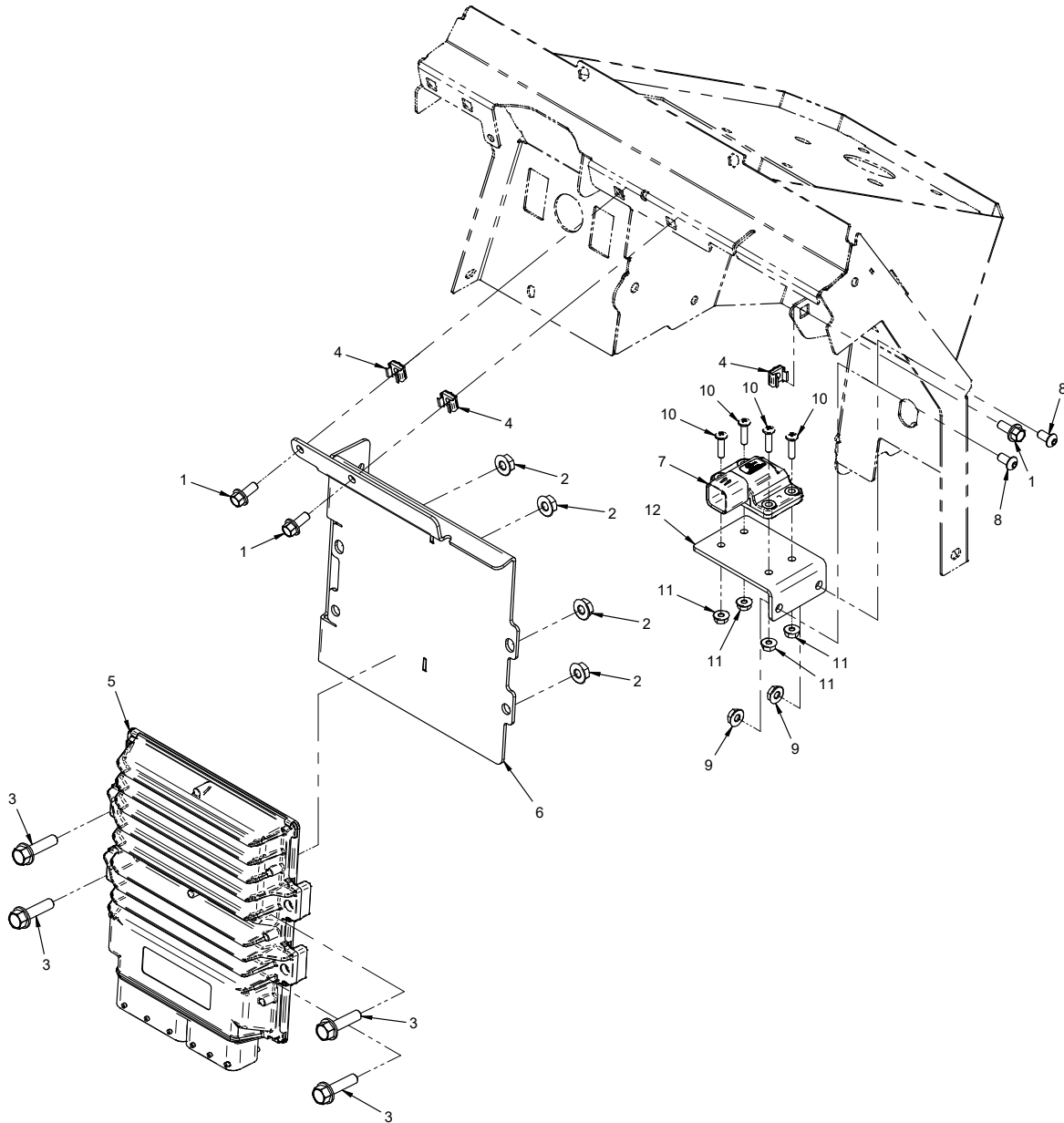


ATM Fuses			
Location	Fuse (Amps)	Circuit	P/N
F01	10	Headlights	30.0333
F02	10	Work Lights	30.0333
F03	20 (CB)	Hydraulic Cooler Fan	30.0335
F04	5	Fuel Pump	30.0332
F05	5	Rear Device 12V	30.0332
F06	30^	Cab / Canopy	30.0445
F07	5	Strobe Light	30.0332
F08	20^	12V Rear	30.0335
F09	10^	Heated Seat	30.0333
ATC Fuses			
F10	-	Blank	
F11	40	Keyed Power	30.0188
F12	40	Continuous Power	30.0188

^Optional accessory
(CB) = Circuit Breaker

ELECTRICAL

ILLUSTRATED DRAWING Vehicle Controller Unit



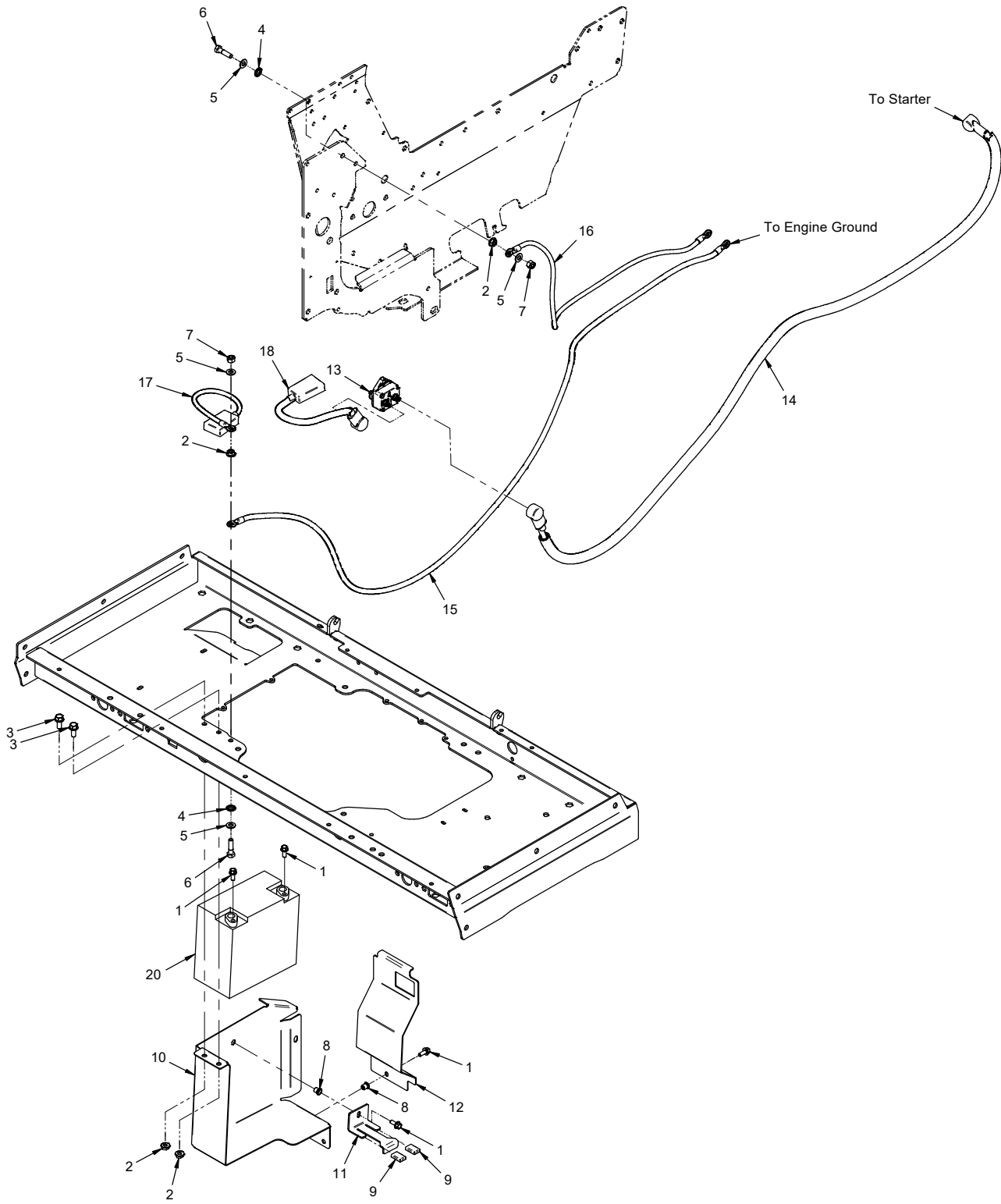
ELECTRICAL

Vehicle Controller Unit

REF.	PART NO.	DESCRIPTION	QTY.
1	99.SF0405-1	Bolt, SMF 1/4-20 X 5/8.	3
2	99.SF05	Nut, SRF 5/16-18 USS	4
3	99.SF0510-1	Bolt, SMF 5/16-18 USS X 1-1/4.	4
4	99.E0145	Nut, Cage 1/4-20 (.025-.063").	3
5	35.0180	Controller, Electronic.	1
6	GR-6001	Mount, Vehicle Controller	1
7	35.0182	Inertial Measuring Unit, (IMU)	1
8	99.0404	Bolt, 1/4-20 x 1/2 BSCS	2
9	99.SF04	Nut, SRF 1/4-20 USS	2
10	99.K0163	Machine Screw, #10-32 x 3/4 SS	4
11	99.E0035	Nut, SRF #10-32	4
12	GR-1112	Bracket, IMU Mount	1

ELECTRICAL

ILLUSTRATED DRAWING Battery, Power Cables, & Ground Cables



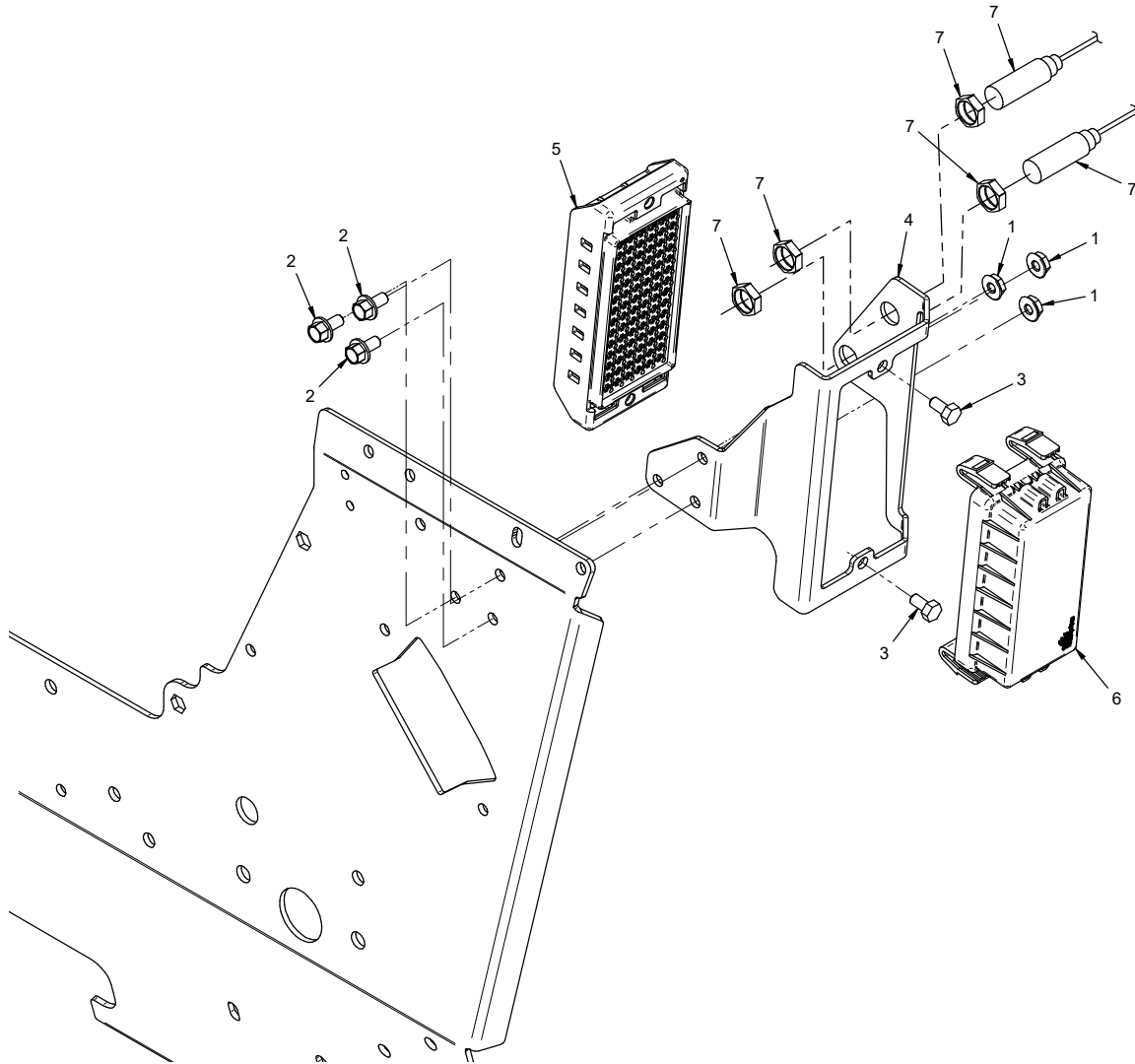
ELECTRICAL

Battery, Power Cables, & Ground Cables

REF.	PART NO.	DESCRIPTION	QTY.
1	99.SF0405-1	.Bolt, SMF 1/4-20 X 5/8.	4
2	99.SF05	.Nut, SRF 5/16-18 USS	4
3	99.SF0506-1	.Bolt, SMF 5/16-18 USS x 3/4.	2
4	99.G0003	.Washer, Star-External 5/16	2
5	95.05	.Washer, Flat 5/16 SAE	4
6	90.0510	.Bolt, 5/16-18 USS x 1-1/4	2
7	99.A05N	.Locknut, Nylon 5/16-18 USS.	2
8	99.E0158	.Nut, Insert 1/4-20 Hex, .027 - .165	2
9	06.0044	.Cap, Plastic 1/8 x 1/2 x 7/8.	2
10	GR-1089	.Panel, Battery Compartment, 45RC	1
11	GR-1137	.Retainer, Battery, AGM 340CCA.	1
12	GR-1142	.Panel, Foot Platform Left, AGM 340CCA	1
13	30.0501	.Breaker, Circuit 150A	1
14	32.0102	.Cable, Asm Pos 4GA	1
15	32.0103	.Cable, Asm Neg 4GA.	1
16	32.0112	.Cable, Asm Neg 4Ga	1
17	32.0265	.Cable, Asm Neg AGM Battery 4Ga	1
18	32.0264	.Cable, Asm Pos AGM Battery 4Ga.	1
20	33.0093	.Battery, AGM 340CCA	1

ELECTRICAL

ILLUSTRATED DRAWING Front Fuse Panel



ELECTRICAL

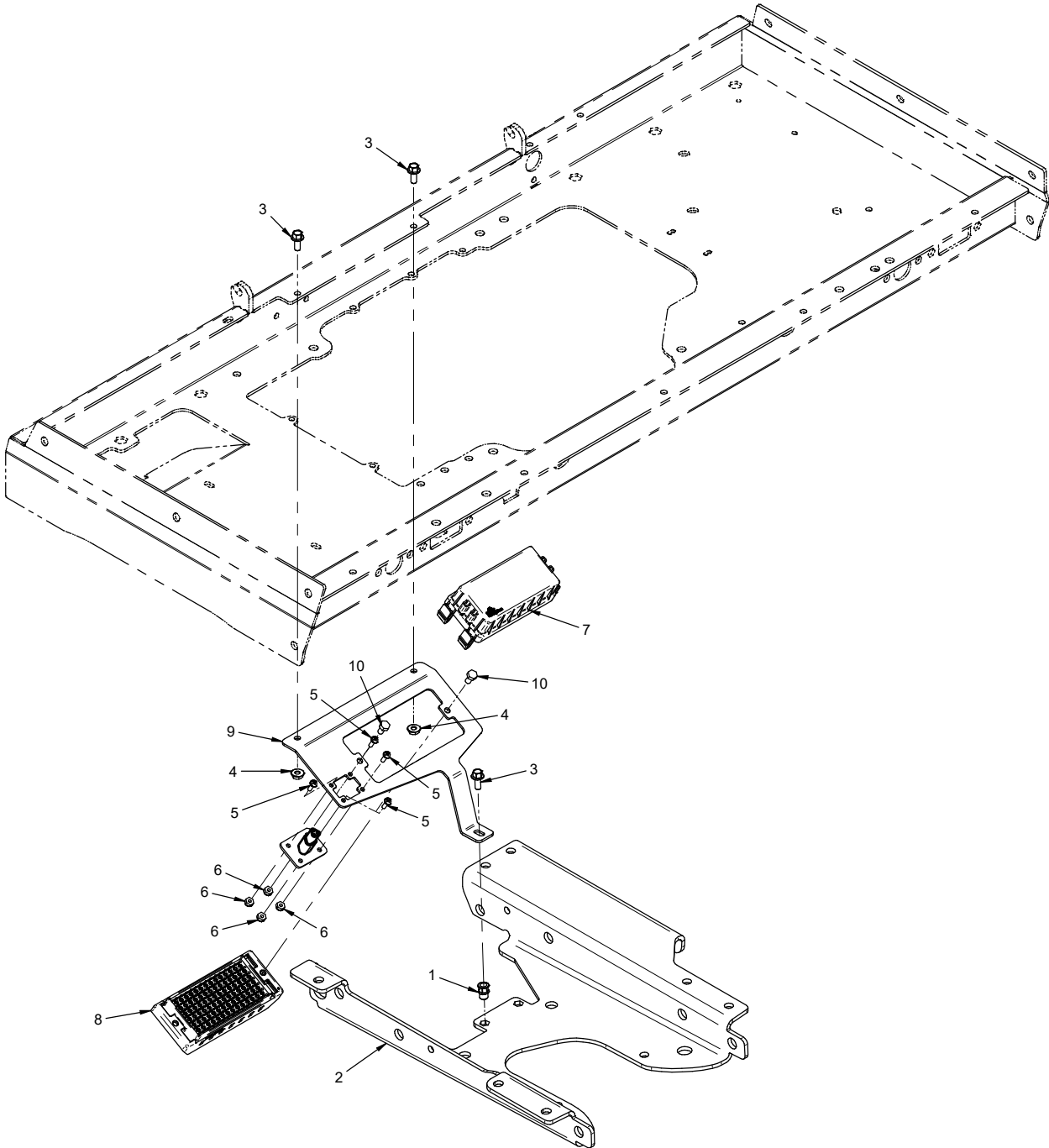
Front Fuse Panel

REF.	PART NO.	DESCRIPTION	QTY.
1	99.SF04	Nut, SRF 1/4-20 USS	3
2	99.SF0404-1	Bolt, SMF 1/4-20 X 1/2.	3
3	99.M0016	Bolt, M6 X 1.00 X 12MM	2
4	GR-1116	Bracket, Fuse Panel Mount,45RC	1
5	30.0502	Fuse Panel, 84 Pos Mini	1
6	30.0504	Cover, Fuse Panel	1
7	35.0186	Sensor, Proximity w/hardware	2

For ordering fuses and relays, please refer to Fuse Panel Layout drawing.

ELECTRICAL

ILLUSTRATED DRAWING Rear Fuse Panel



ELECTRICAL

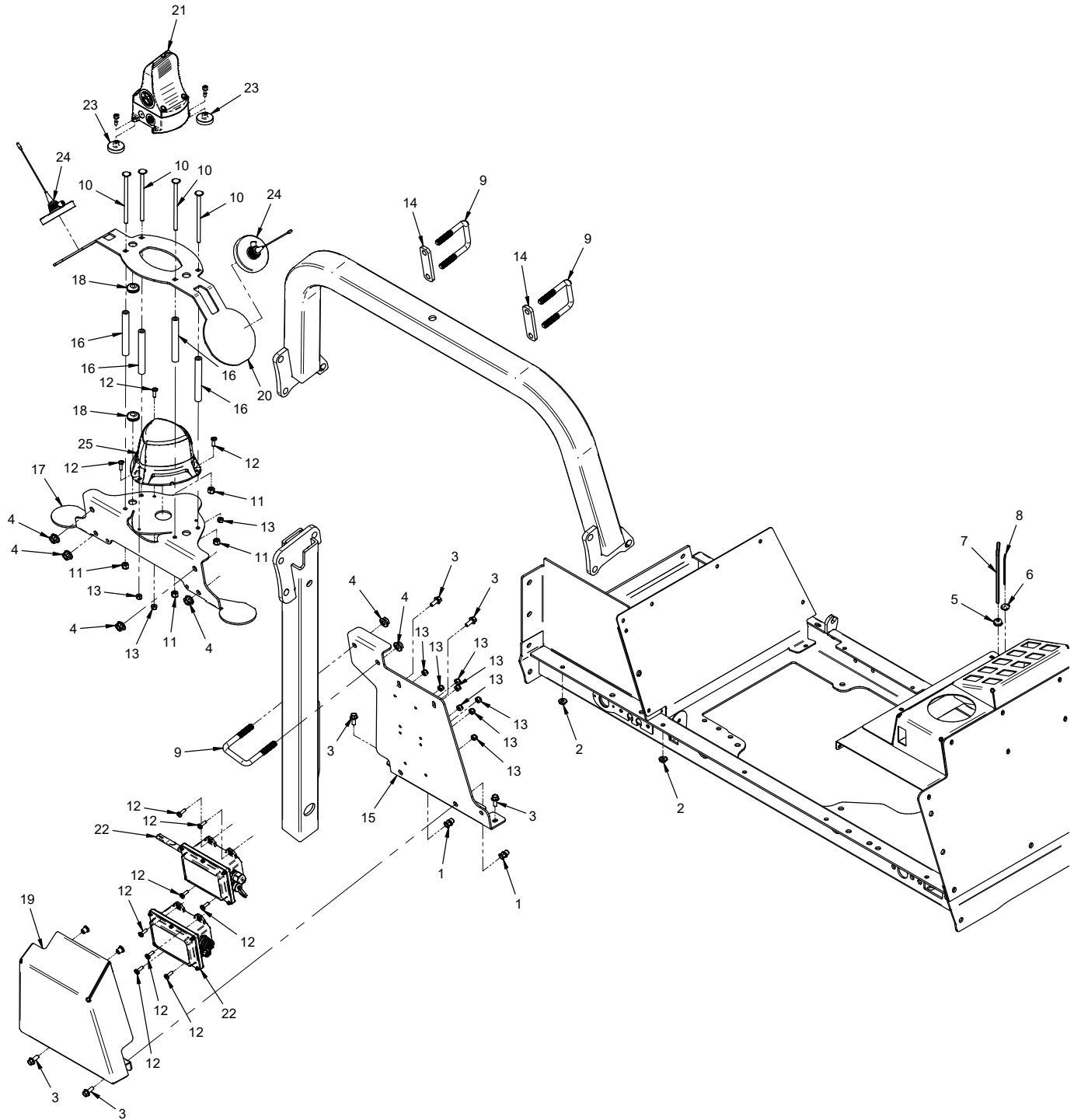
Rear Fuse Panel

REF.	PART NO.	DESCRIPTION	QTY.
1	99.E0105	Nut, Insert 1/4-20 Hex	1
2	KN-1484	Frame, Rear Upper	1
3	99.SF0405-1	Bolt, SMF 1/4-20 X 5/8.	3
4	99.SF04	Nut, SRF 1/4-20 USS	2
5	99.K0041	Machine Screw, #8-32 X 1/2.	4
6	99.E0133	Locknut, Nylon #8-32 SS.	4
7	30.0504	Cover, Fuse Panel NT2100	1
8	30.0502	Fuse Panel, 84 Pos Mini	1
9	GR-1005	Mount, Rear Fuse Block	1
10	99.M0016	Bolt, M6 X 1.00 X 12MM	2

For ordering fuses and relays, please refer to Fuse Panel Layout drawing.

ELECTRICAL

ILLUSTRATED DRAWING Beacon & Remote Accessories



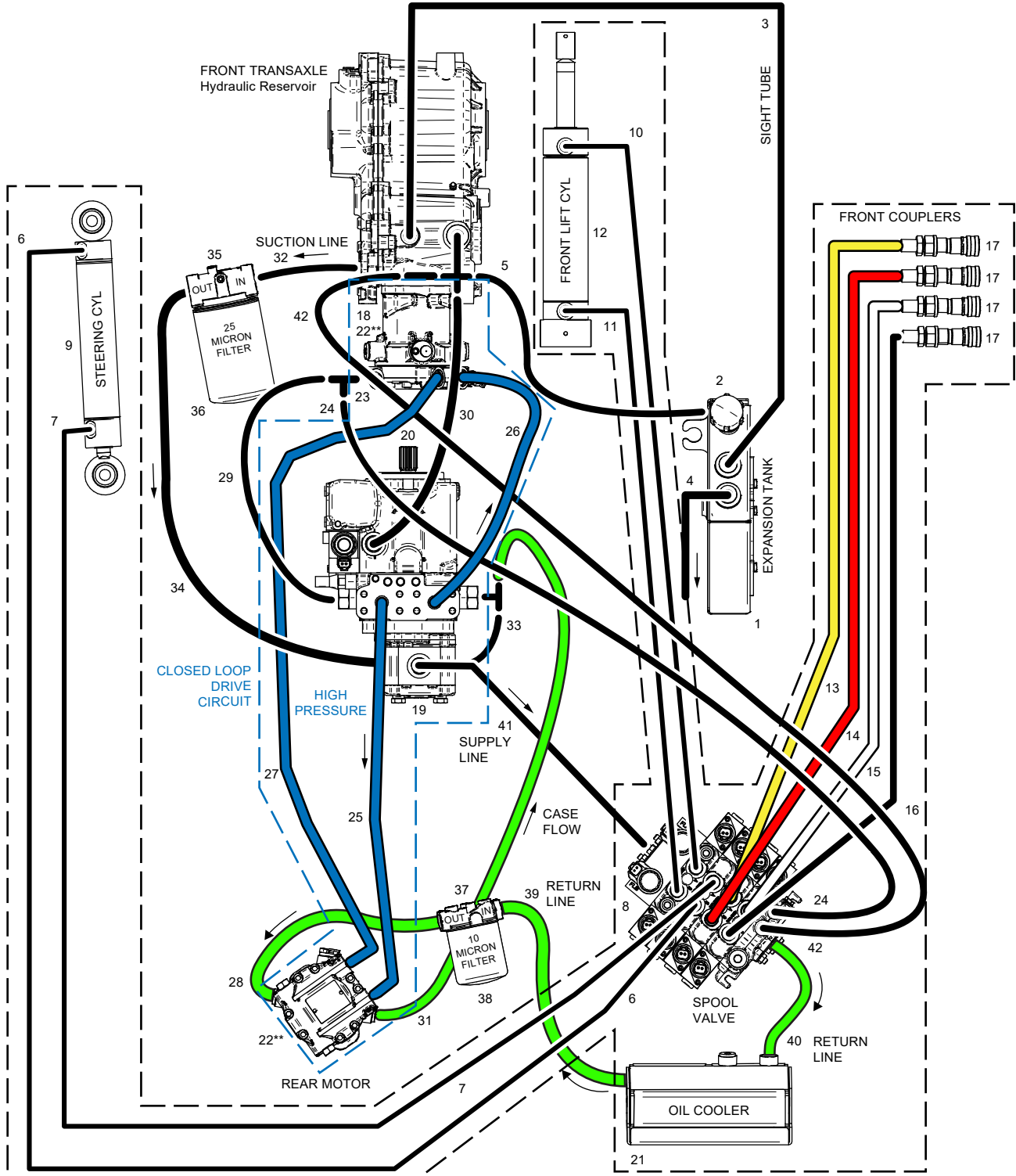
ELECTRICAL

Beacon & Remote Accessories

REF.	PART NO.	DESCRIPTION	QTY.
1	99.E0105	Nut, Insert 1/4-20 Hex	2
2	99.SF04	Nut, SRF 1/4-20 USS	2
3	99.SF0405-1	Bolt, SMF 1/4-20 X 5/8	6
4	99.E0082	Nut, Locking Flange 3/8-16	7
5	05.0216	Grommet, 3/16ID, 5/8OD, 3/8T	1
6	05.0214	Grommet, 3/32ID, 5/8OD, 13/64T	1
7	72.0061	Tool, Hex Key, 5mm	1
8	72.0066	Tool, Hex Key, 2.5mm	1
9	11.0053	U-Bolt, 3/8-16 2-1/16" ID SQ Bend	3
10	97.0406	Bolt, Carriage 1/4 x 4-1/2	4
11	99.A04N	Locknut, Nylon 1/4-20	4
12	99.K0071	Machine Screw, #10-32 x 5/8	11
13	99.A1032N	Locknut, Nylon 10-32 Stainless	11
14	GR-1182	Plate, U-Bolt Reinforcement	2
15	GR-1127	Bracket, Receiver Mounting	1
16	GR-1187	Spacer, Strobe Guard	4
17	GR-1161	Mount, Strobe/Antennas	1
18	05.0101	Grommet, 3/8 ID, 7/8OD, 3/8THK	2
19	GR-1134	Cover, RC Receiver	1
20	GR-1164	Shield, Strobe	1
21	35.0189	Antenna-Range Control	1
22	35.0183	Remote Control, 2.4 GHz	1
23	47.0545	Mount, Magnetic With SHCS	2
24	35.0188	Antenna, Magnet Mount	2
25	33.0094	Light, Strobe Amber/Green	1
26	99.E0158	Nut, Insert 1/4-20 Hex, .027 - .165	2

HYDRAULICS, AXLES, & WHEELS

ILLUSTRATED DRAWING Hydraulic Diagram



*NOTE: IF ANY PART OF THE CLOSED LOOP HYDROSTATIC DRIVE CIRCUIT (PUMP, FRONT DRIVE MOTOR, REAR DRIVE MOTOR, OR ANY OF THE THREE 5/8" HYDRAULIC LINES CONNECTING THEM TOGETHER) IS SERVICED OR REPLACED, THE VENTRAC CLOSED LOOP DRIVE CIRCUIT FILTRATION PROCEDURE MUST BE PERFORMED. THIS PROCEDURE REQUIRES A SPECIAL VENTRAC REMOTE FILTERING TOOL (KIT # 70.0122) AND MUST BE PERFORMED BY A VENTRAC AUTHORIZED TECHNICIAN. FAILURE TO PERFORM THIS FILTERING PROCEDURE FOLLOWING A REPAIR CAN RESULT IN COMPONENT AND/OR COMPLETE SYSTEM FAILURE AND MAY VOID WARRANTY.

**NOTE: THE FRONT TRANSAXLE IS PART OF THE HYDRAULIC SYSTEM, SO THE FRONT MOTOR MUST HAVE THE SEAL REMOVED. THE REAR TRANSAXLE IS SEPARATE FROM THE HYDRAULIC SYSTEM, SO THE SHAFT SEAL IN THE REAR MOTOR MUST NOT BE REMOVED.

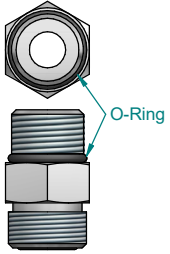
HYDRAULICS, AXLES, & WHEELS

Hydraulic Diagram

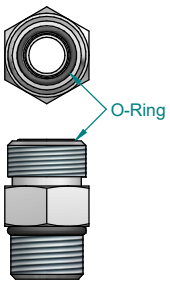
REF.	PART NO.	DESCRIPTION	QTY.
1	KN-6052	Tank, Steel Hydraulic 4520	1
2	29.0126	Fitting, Cap 1" FP	1
3	27.T06-3-32IN	Tube, Silicon 3/8IN ID x 32IN	1
4	27.F04	Hose, Fuel Line x 1/4 /ft	1
5	22.0080	Hose, 1/2x19.00 ASTM D380 / ASTM D6751	1
6	20.0475	Hose, 1/4x86.00 SAE 100R17AR (Steering) (DCV-2B to St Cyl-Head)	1
7	20.0474	Hose, 1/4x93.00 SAE 100R17AR (Steering) (DCV-2A to St Cyl-Rod)	1
8	23.0230	Valve, 4 Spool EH w/ Float Inlet	1
9	23.0145	Cylinder, 1-3/4" X 8 Steering	1
10	20.0472	Hose, 3/8x77.00 SAE 100R17AR (Lift) (DCV-1A to Lift-Rod)	1
11	20.0473	Hose, 3/8x91.00 SAE 100R17AR (Lift) (DCV-1B to Lift-Head)	1
12	23.0156	Cylinder, 2-1/4" x 7" Lift	1
13	20.0474	Hose, 1/4x93.00 SAE 100R17AR (Aux) (DCV-3A to Aux-Yellow)	1
14	20.0474	Hose, 1/4x93.00 SAE 100R17AR (Aux) (DCV-3B to Aux-Red)	1
15	20.0474	Hose, 1/4x93.00 SAE 100R17AR (Aux) (DCV-4A to Aux-White)	1
16	20.0474	Hose, 1/4x93.00 SAE 100R17AR (Aux) (DCV-4B to Aux-Black)	1
17	23.0197	Coupler, Hyd Quick Female 1/4 ORB	4
18	13.0341	Switch, Temp -06 SAE ORB	1
19	21.0178	Pump, Gear	1
20	21.0179	Pump, Hyd. 28cc EH	1
21	21.0155	Cooler, Hydraulic - Offset Fin	1
22	21.0149	Motor, Hyd. Danfoss 20CC/Rev	2
23	23.0200	Valve, CCheck Parker 5 PSI, 06 ORB	1
24	20.0483	Hose, 1/4x76.00 SAE 100R17AR	1
25	20.0478	Hose, 5/8 x 75.50 SAE 100R2	1
26	20.0479	Hose, 5/8 x 20.00 SAE 100R2	1
27	20.0414	Hose, 5/8 x 53.00 SAE 100R16	1
28	22.0085	Hose, 1/2x15.00 ASTM D380 / ASTM D6751	1
29	20.0482	Hose, 1/4x26.00 SAE 100R17AR	1
30	22.0103	Hose, 1/2x18.50 ASTM D380 / ASTM D6751	1
31	22.0104	Hose, 1/2x57.00 ASTM D380 / ASTM D6751	1
32	20.0403	Steel Tube, 3/4" OD x .065 Wall	1
33	20.0485	Hose, 3/4" x 7.75 SAE Flex Stl.	1
34	22.0102	Hose, 3/4x22.00 Parker EZ Form	1
35	21.0153	Filter, Head -12 ORB Ports	1
36	21.0180	Filter, Hyd. 25 Micron Syn x 7"	1
37	21.0154	Filter, Head 08 ORB	1
38	21.0124	Filter, Hyd. 10 Micron Cel.	1
39	22.0084	Hose, 1/2x14.50 ASTM D380 / ASTM D6751	1
40	22.0100	Hose, 1/2x13.50 ASTM D380 / ASTM D6751	1
41	20.0477	Hose, 3/8x67.00 SAE 100R17AR	1
42	20.0476	Hose, 1/4x90.00 SAE 100R17AR	1

HYDRAULICS, AXLES, & WHEELS

Hydraulic Fitting O-Ring Chart



Straight Thread O-Ring Boss - O-Ring Replacement Part Numbers						
SAE Fitting Size	Thread Size	VPI Part #	ID	OD	Width	AS568A Dash #
-04	7/16-20	26.0035	0.351"	0.495"	0.072"	904
-06	9/16-18	26.0036	0.468"	0.624"	0.078"	906
-08	3/4-16	26.0037	0.644"	0.818"	0.087"	908
-10	7/8-14	26.0038	0.755"	0.949"	0.097"	910
-12	1-1/16-12	26.0039	0.924"	1.156"	0.116"	912
-16	1-5/16-12	26.0043	1.171"	1.403"	0.116"	916



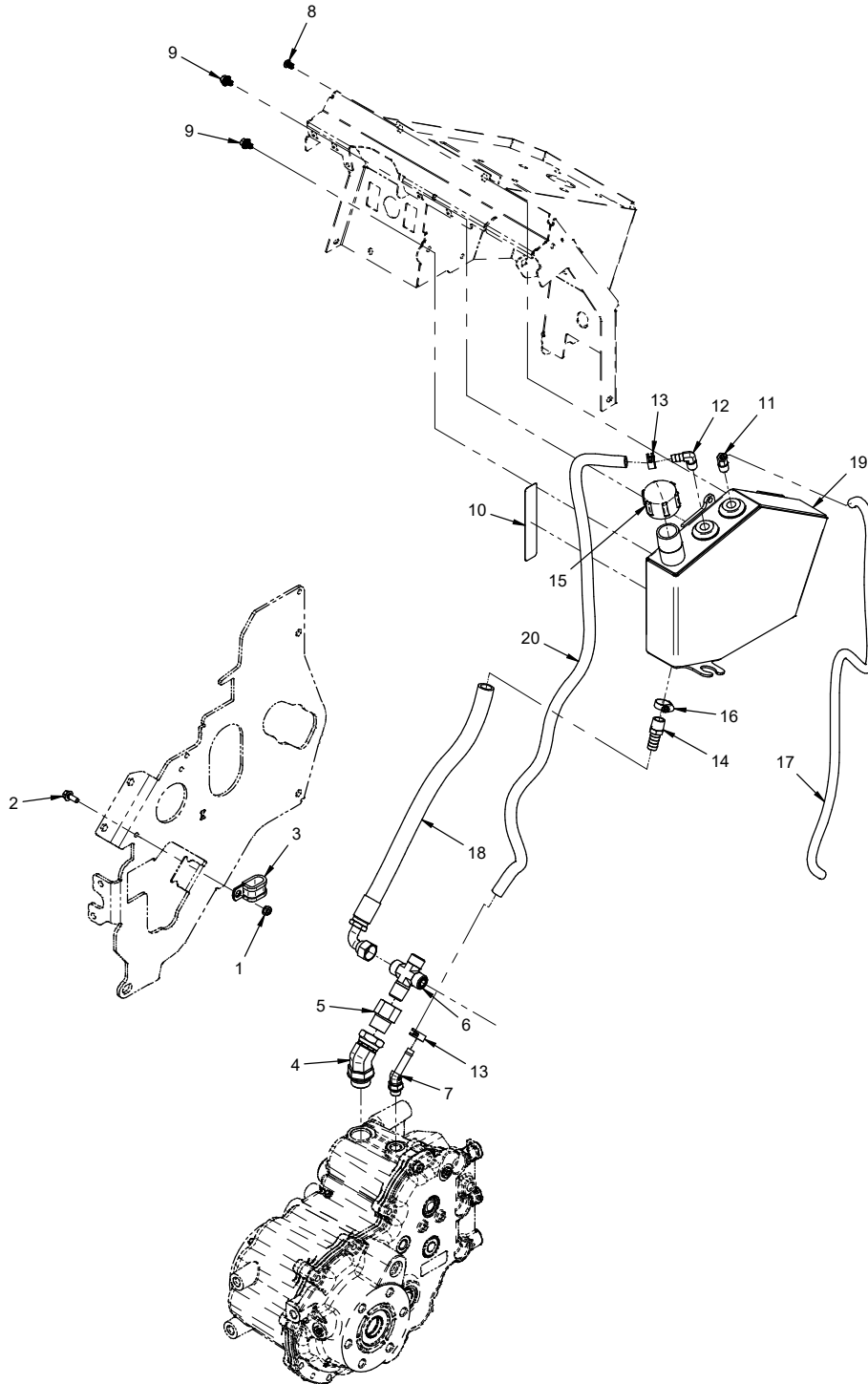
O-Ring Face Seal Hose - O-Ring Replacement Part Numbers						
SAE Fitting Size	Thread Size	VPI Part #	ID	OD	Width	AS568A Dash #
-04	9/16-18	26.0044	0.301"	0.441"	0.070"	011
-06	11/16-16	26.0025	0.364"	0.504"	0.070"	012
-08	13/16-16	26.0009	0.489"	0.629"	0.070"	014
-10	1-14	26.0023	0.614"	0.754"	0.070"	016
-12	1-3/16-12	26.0045	0.739"	0.879"	0.070"	018
-16	1-7/16-12	26.0046	0.926"	1.066"	0.070"	021

HYDRAULICS, AXLES, & WHEELS

Blank Page

HYDRAULICS, AXLES, & WHEELS

ILLUSTRATED DRAWING Hydraulic Oil Tank



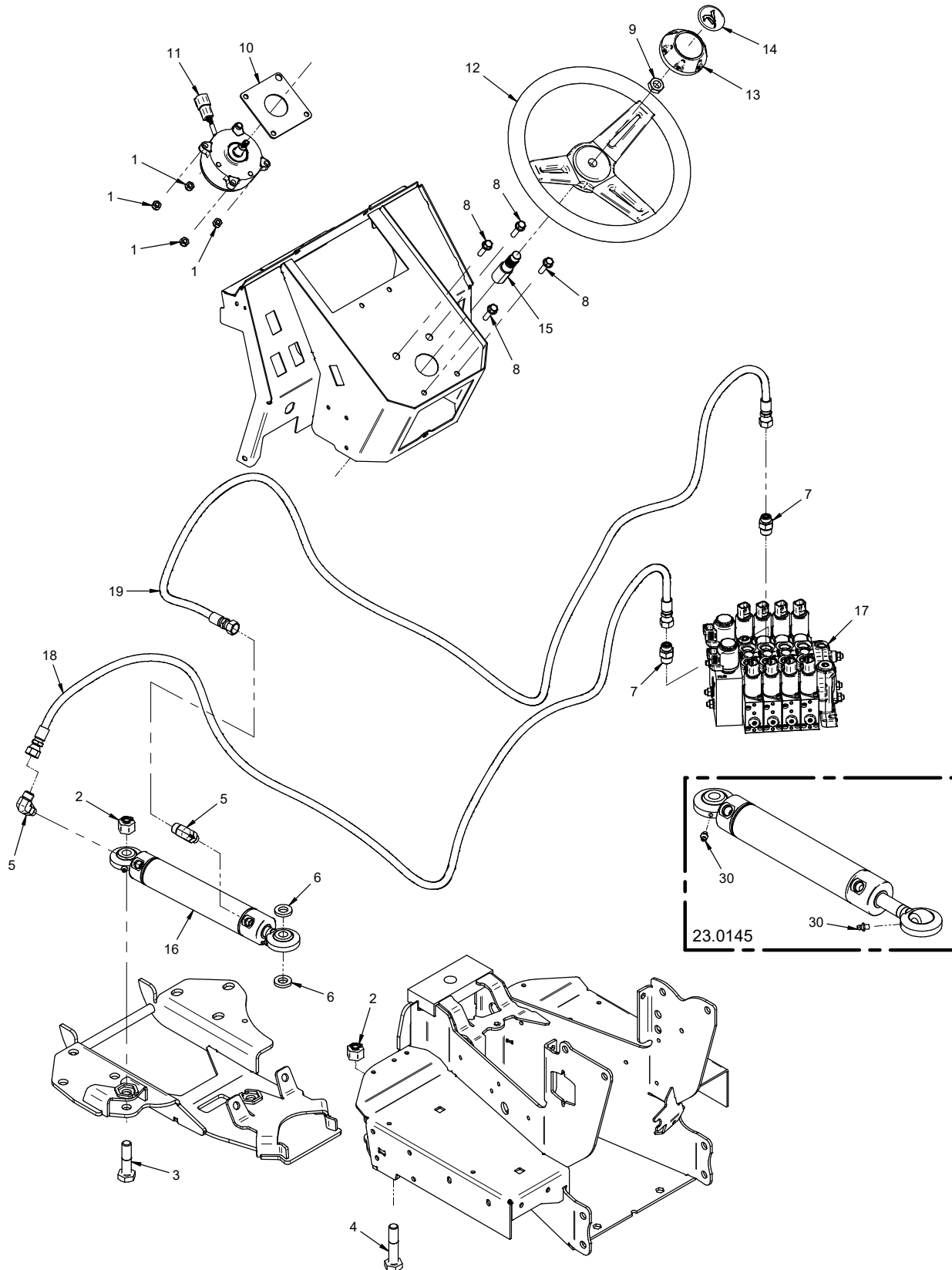
HYDRAULICS, AXLES, & WHEELS

Hydraulic Oil Tank

REF.	PART NO.	DESCRIPTION	QTY.
1	99.SF04	Nut, SRF 1/4-20 USS	1
2	99.SF0405-1	Bolt, SMF 1/4-20 X 5/8	1
3	11.0046	Clamp, Cushioned 1/2" 2-Tube	1
4	25.6902-12-12	Fitting, 45 MFE 3/4 x 3/4	1
5	25.5405-12-08	Fitting, Reducer 3/4 X 1/2	1
6	25.FF2651MP-08-08-08-08	Fitting, Cross 08FF	1
7	25.4603-06-06	Fitting, 45 ME 06 HB x 06 MAORB	1
8	99.0403	BOLT, 1/4-20 X 3/8 BSCS	1
9	99.SF0403	BOLT, SRF 1/4-20 X 3/8	2
10	00.0340	Decal, Hydraulic Oil	1
11	29.BF04MP0445	Fitting, 1/4 Barb x 1/4 MP 45	1
12	29.BF06MP0490	Fitting, 3/8 Barb x 1/4 MP 90	1
13	11.0048	Clamp, Hose Band 9/16" OD Hose	2
14	29.BF08MP06	Fitting, 1/2 Barb x 3/8 MP St	1
15	29.0126	Fitting, Cap 1" FP	1
16	11.0032	Clamp, Hose SS 7/16 To 25/32	1
17	27.F04	Hose, Fuel Line x 1/4 /ft	1
18	22.0080	Hose, 1/2x15.00 ASTM D380 / ASTM D6751	1
19	KN-6052	Tank, Steel Hydraulic 4520	1
20	27.T06-3-3IN	Tube, Silicon 3/8IN ID x 32IN	1

HYDRAULICS, AXLES, & WHEELS

ILLUSTRATED DRAWING Hydraulic Steering System



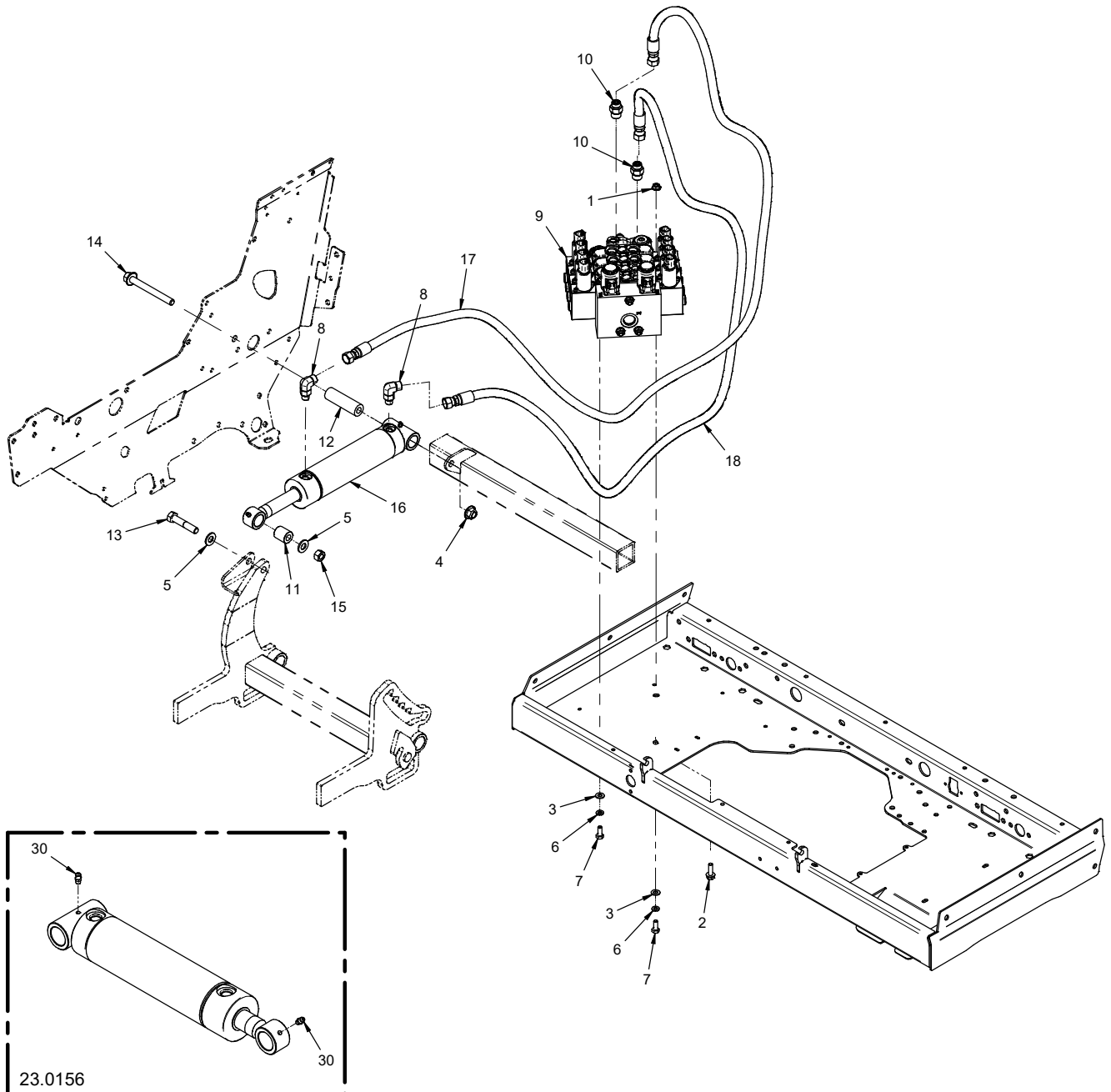
HYDRAULICS, AXLES, & WHEELS

Hydraulic Steering System

REF.	PART NO.	DESCRIPTION	QTY.
1	99.A05N	Locknut, Nylon 5/16-18 USS	4
2	99.E0095	Locknut, 5/8-11 Heavy Nylon	2
3	99.K0112	Bolt, 5/8-11 X 2-1/2 Grd A325	1
4	99.K0132	Bolt, 5/8-11 X 3 Grd A325	1
5	25.FF6801-06-06	Fitting, 90 Elbow - 6MFF X 6MB	2
6	64.1725	Spacer, Steering Cylinder	2
7	25.FF6400-06-08	Fitting, Connector 06MFF x 08MB	2
8	99.SF0510-1	Bolt, SMF 5/16-18 USS X 1-1/4	4
9	99.E0011	Nut, Jam 5/8-18 SAE	1
10	GR-1138	Spacer, Steering Module	1
11	35.0178	Sensor, Steering	1
12	47.0117	Steering Wheel, 16mm X 40T	1
13	47.0118	Cap, Steering Wheel	1
14	00.0207	Decal, Ventrac Dome	1
15	GR-1181	Mount, Steering Wheel	1
16	23.0145	Cylinder, 1-3/4" X 8 Steering	1
17	23.0230	Valve, 4 Spool EH w/ Float Inlet	1
18	20.0475	Hose, 1/4x86.00 SAE 100R17AR	1
19	20.0474	Hose, 1/4x93.00 SAE 100R17AR	1
30	29.GF0001	Grease Ftg, 1/4 SAE St.	2

HYDRAULICS, AXLES, & WHEELS

ILLUSTRATED DRAWING Front Hitch Hydraulic Lift



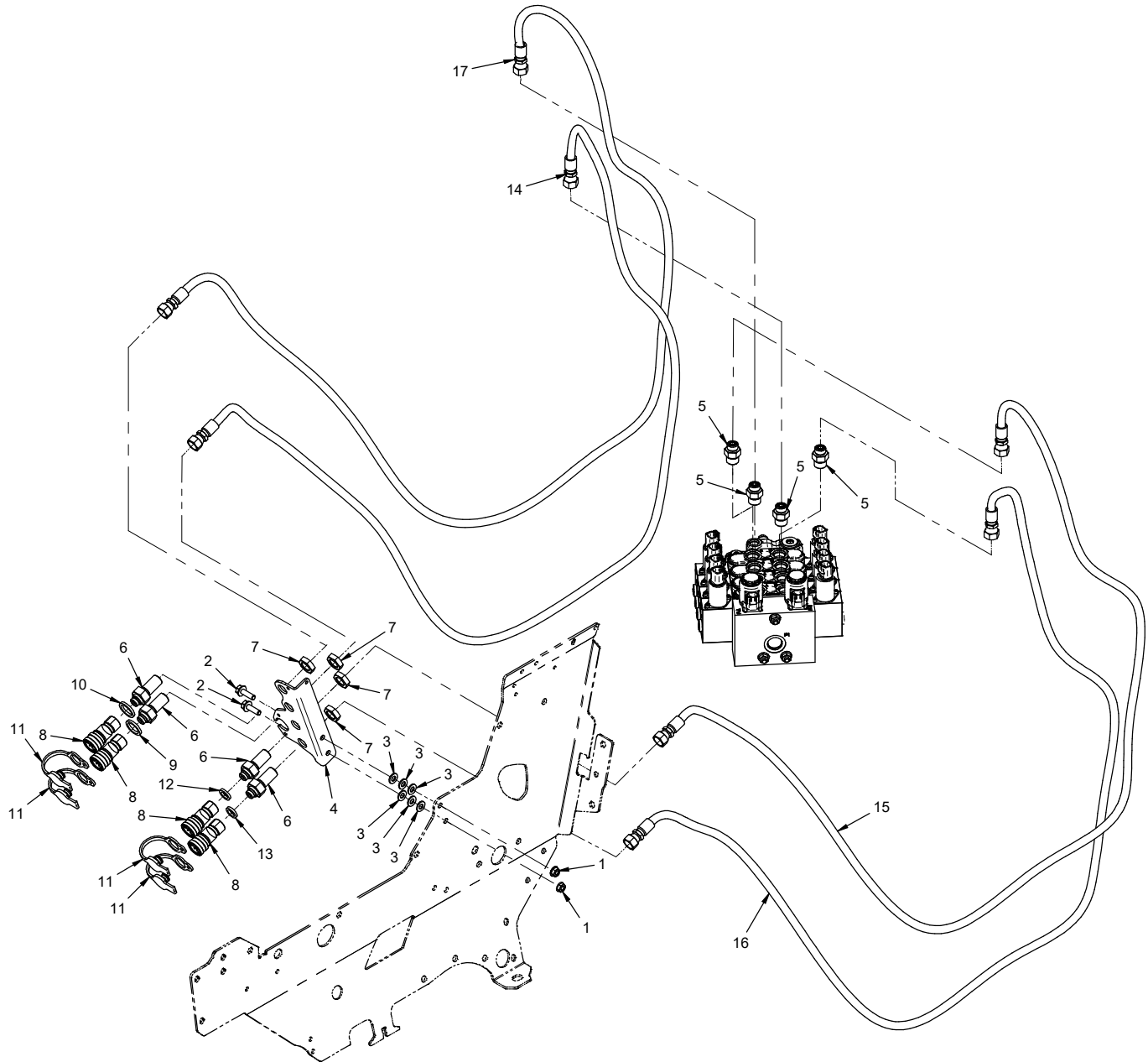
HYDRAULICS, AXLES, & WHEELS

Front Hitch Hydraulic Lift

REF.	PART NO.	DESCRIPTION	QTY.
1	99.SF05	Nut, SRF 5/16-18 USS	1
2	99.SF0508-1	Bolt, SMF 5/16-18 x 1	1
3	95.05	Washer, Flat 5/16 SAE	2
4	99.E0103	Nut, Locking Flange 1/2-13	1
5	95.08	Washer, Flat 1/2 SAE	2
6	96.05	Washer, Lock 5/16	2
7	99.M0005	Bolt, M8 X 1.25 P X 20MM	2
8	25.FF6801-06-06	Fitting, 90 Elbow - 6MFF X 6MB	2
9	23.0230	Valve, 4 Spool EH w/ Float Inlet	1
10	25.FF6400-06-08	Fitting, Connector 06MFF x 08MB	2
11	64.1712	Bushing, Steel .516 x 1.000	1
12	64.1631	Bushing, Lift Cylinder Rear	1
13	90.0820	Bolt, 1/2-13 USS x 2-1/2	1
14	99.SF0836-1	BOLT, SMF 1/2-13 X 4-1/2	1
15	99.A08C	Locknut, Center 1/2-13	1
16	23.0156	Cylinder, 2-1/4" x 7" Lift	1
17	20.0472	Hose, 3/8x77.00 SAE 100R17AR	1
18	20.0473	Hose, 3/8x91.00 SAE 100R17AR	1
30	29.GF0001	Grease Ftg, 1/4 SAE ST	2

HYDRAULICS, AXLES, & WHEELS

ILLUSTRATED DRAWING Auxiliary Hydraulic Quick Couplers



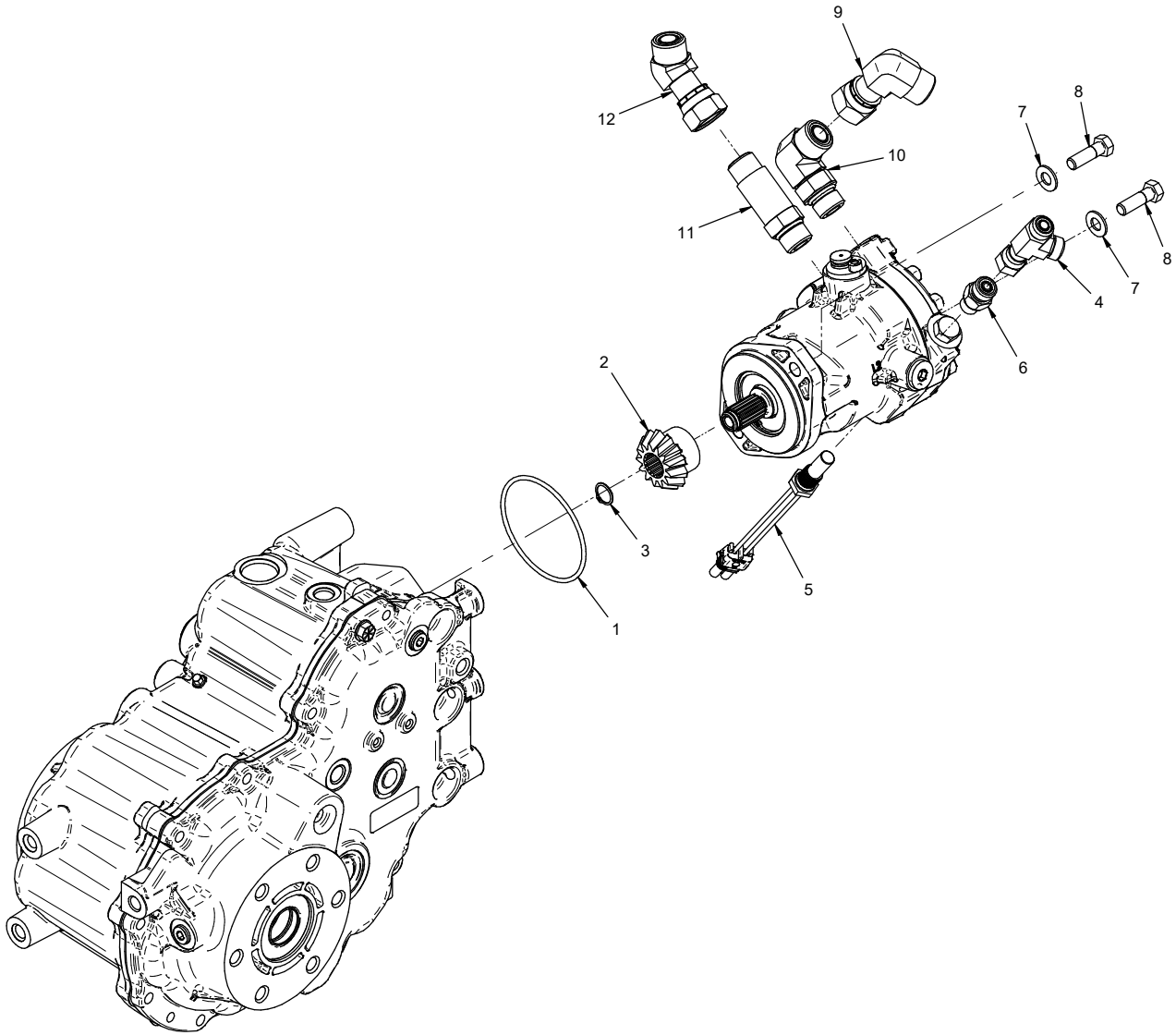
HYDRAULICS, AXLES, & WHEELS

Auxiliary Hydraulic Quick Couplers

REF.	PART NO.	DESCRIPTION	QTY.
1	99.SF05	Nut, SRF 5/16-18 USS	2
2	99.SF0508-1	Bolt, SMF 5/16-18 x 1	2
3	95.05	Washer, Flat 5/16 SAE	6
4	GR-1045	Bracket, Hyd Coupler 4 Pos	1
5	25.FF6400-06-08	Fitting, Connector 06MFF x 08MB	4
6	25.FF2764-06-06-LN	Fitting, Bulkhead Straight 3/8 W/Locknut	4
7	25.FF306-06	Locknut, -06 Bulkhead Fitting	4
8	23.0197	Coupler, Hyd Quick Female 1/4 ORB	4
9	05.0190	Washer, .905 ID x 1.170 x .140 Red	1
10	05.0191	Washer, .905 ID x 1.170 x .140 Yellow	1
11	23.0126	Plug, Dust	4
12	05.0193	Washer, .905 ID x 1.170 x .140 White	1
13	05.0192	Washer, .905 ID x 1.170 x .140 Black	1
14	20.0474	Hose, 1/4x93.00 SAE 100R17AR	1
15	20.0474	Hose, 1/4x93.00 SAE 100R17AR	1
16	20.0474	Hose, 1/4x93.00 SAE 100R17AR	1
17	20.0474	Hose, 1/4x93.00 SAE 100R17AR	1

HYDRAULICS, AXLES, & WHEELS

ILLUSTRATED DRAWING Front Hydraulic Motor Mount & Fittings



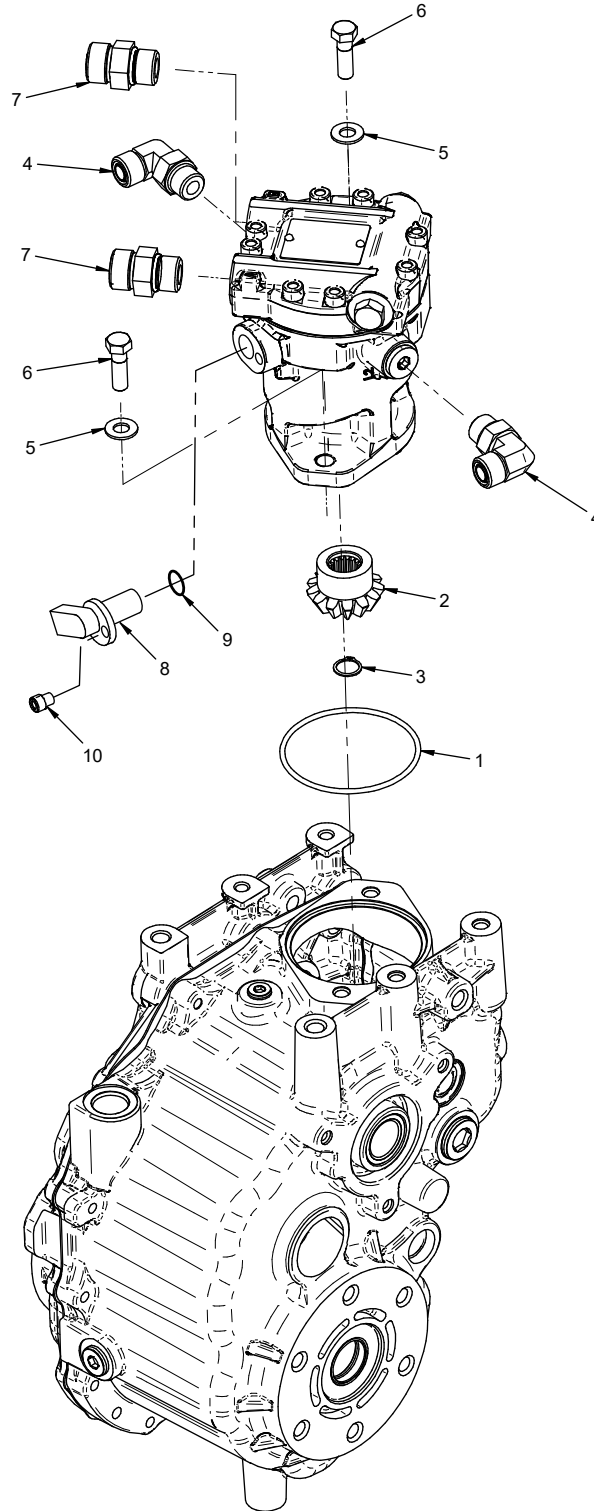
HYDRAULICS, AXLES, & WHEELS

Front Hydraulic Motor Mount & Fittings

REF.	PART NO.	DESCRIPTION	QTY.
1	26.0024	O-ring, 3-1/8 x 3-3/8 x 1/8	1
2	51.0097	Gear, Pinion 13 T Progear	1
3	04.0015	Snap Ring, Ext .039 x .588	1
4	25.FF6602-6-6-6	Fitting, Tee -06MF X -06FF X -06MF	1
5	13.0341	Switch, Temp -06 SAE ORB	1
6	23.0200	Valve, Check Parker 5 PSI, 06 ORB	1
7	95.06	Washer, Flat 3/8 SAE	2
8	90.0610	Bolt, 3/8-16 USS x 1-1/4	2
9	25.FF6500-10-10	Fitting, 90 Elbow -10MF x -10FF	1
10	25.FF6801-10-10	Fitting, 90 Elbow -10MF x -10MB	1
11	25.FF6400-L-10-10	Fitting, Connector Long -10MF x -10MB	1
12	25.FF6502-10-10	Fitting, 45 Elbow -10MF x -10FF	1

HYDRAULICS, AXLES, & WHEELS

ILLUSTRATED DRAWING Rear Hydraulic Motor Mount & Fittings



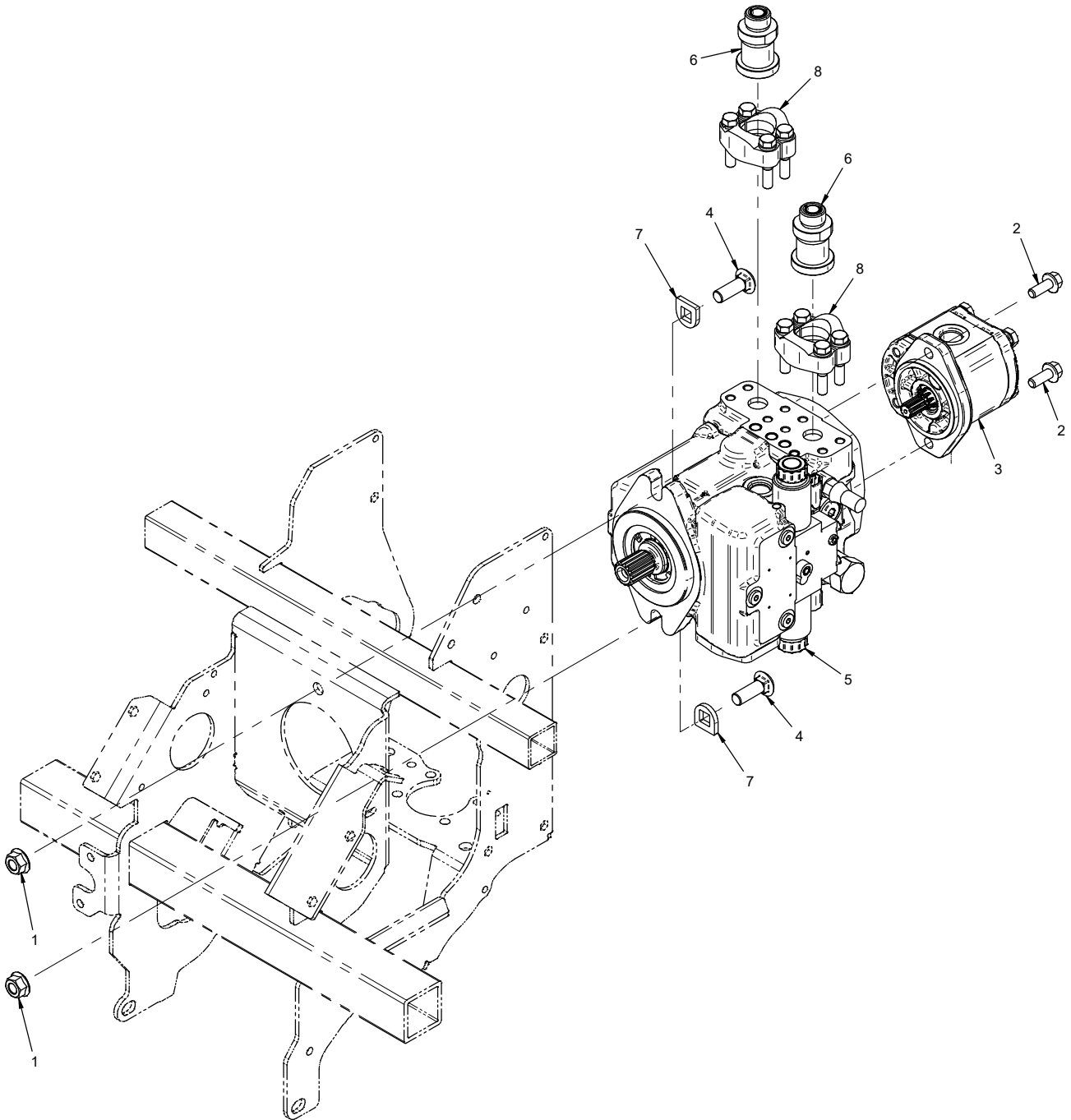
HYDRAULICS, AXLES, & WHEELS

Rear Hydraulic Motor Mount & Fittings

REF.	PART NO.	DESCRIPTION	QTY.
1	26.0024	O-Ring, 3-1/8 x 3-3/8 x 1/8	1
2	51.0097	Gear, Pinion 13 T Progear	1
3	04.0015	Snap Ring, Ext .039 x .588	1
4	25.FF6801-08-08	Fitting, 90 Elbow 8MFF x 8MB	2
5	95.06	Washer, Flat 3/8 SAE	2
6	90.0610	Bolt, 3/8-16 USS x 1-1/4	2
7	25.FF6400-10-10	Fitting, Connector 10MFF x 10MB	2
8	35.0175	Sensor, EMD Orbital Motor Speed	1
9	26.0054	O-Ring, -016 Viton 80D	1
10	99.M0073	Bolt, M6 x 1.0 x 12 SHCS	1

HYDRAULICS, AXLES, & WHEELS

ILLUSTRATED DRAWING Hydraulic Pump Mount & Fittings



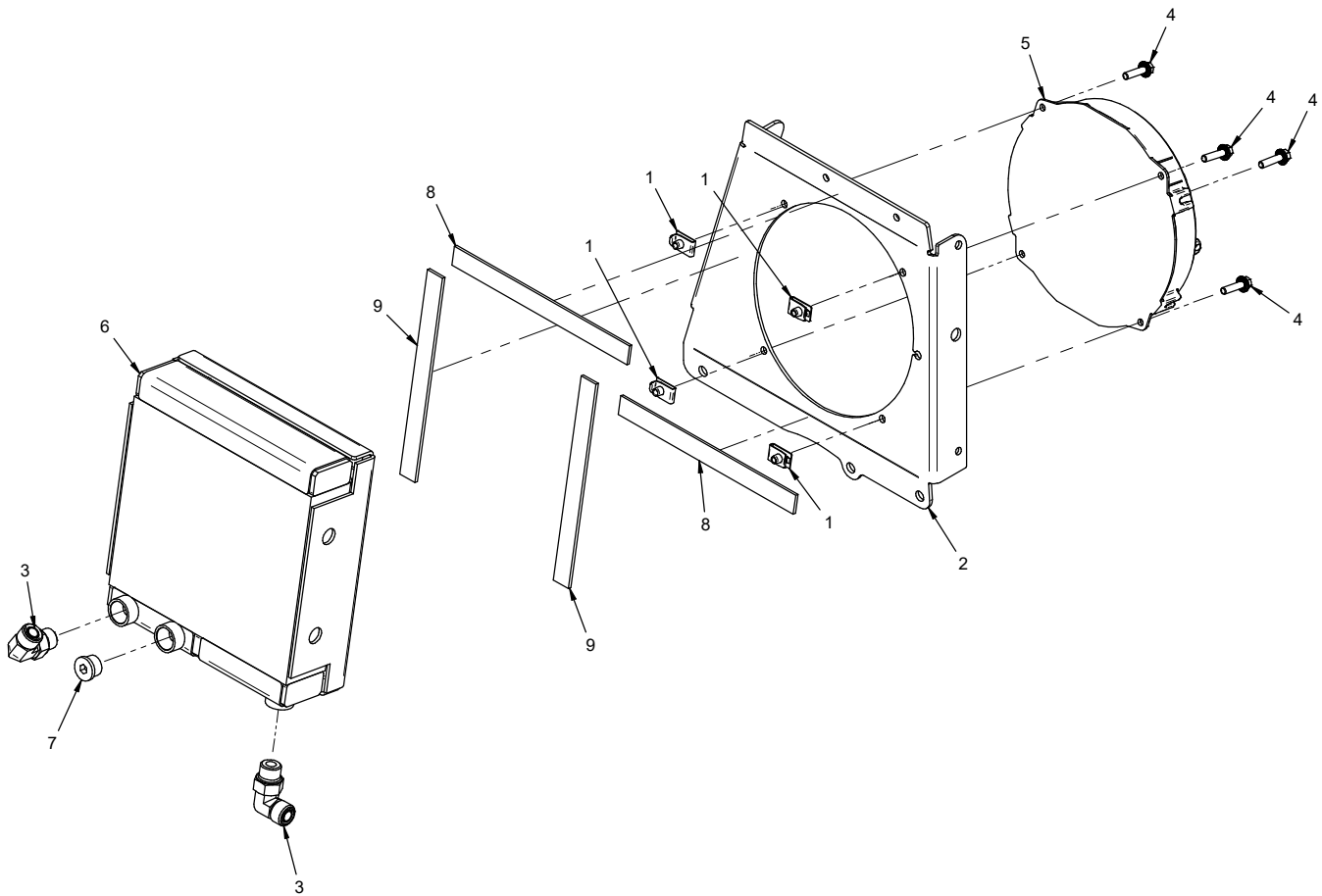
HYDRAULICS, AXLES, & WHEELS

Hydraulic Pump Mount & Fittings

REF.	PART NO.	DESCRIPTION	QTY.
1	99.SF08	Nut, SRF 1/2-13 USS	2
2	99.SF0608-1	Bolt, SMF 3/8-16 x 1	2
3	21.0178	Pump, Gear	1
4	97.0812	Bolt, Carriage 1/2-13 x 1 1/2	2
5	21.0179	Pump, Hyd. 28cc EH	1
6	25.FS1800-10-12	Fitting, -10 ORFS x -12 Code 62 Flange	2
7	GR-1109	Plate, Pump Mount Bolt	2
8	25.1902-12	Clamp, 3/4" Split Flange Kit	2

HYDRAULICS, AXLES, & WHEELS

ILLUSTRATED DRAWING Hydraulic Oil Cooler & Fan



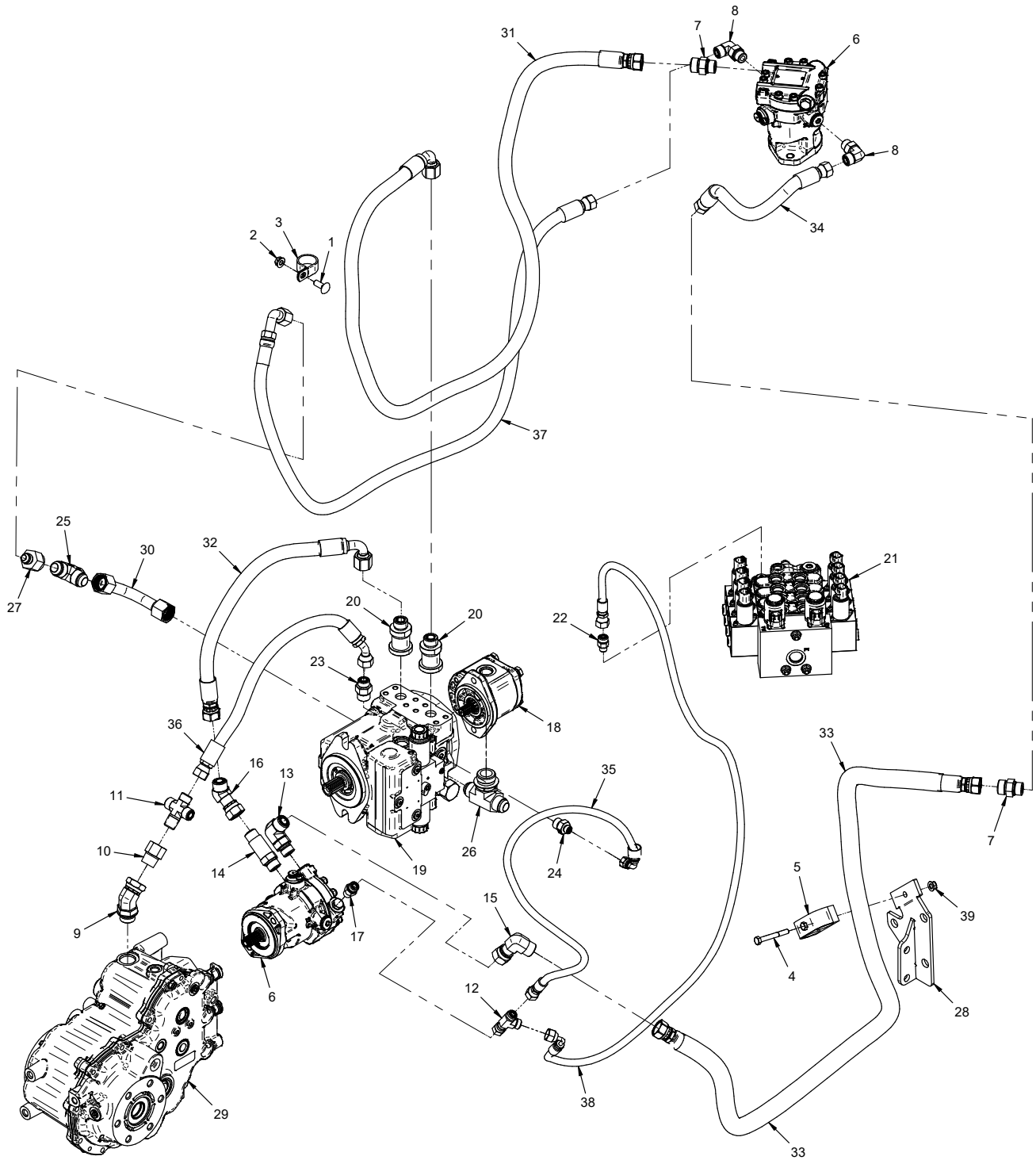
HYDRAULICS, AXLES, & WHEELS

Hydraulic Oil Cooler & Fan

REF.	PART NO.	DESCRIPTION	QTY.
1	99.E0046	Nut, "U" 1/4-20 Extruded	4
2	KN-1201	Panel, Seatbox Rear Right	1
3	25.FF6801-08-08	Fitting, 90 Elbow 8MFF x 8MB	2
4	99.SF0408-1	Bolt, SMF 1/4-20 x 1	4
5	37.0057	Fan, Electric 7.5"	1
6	21.0155	Cooler, Hydraulic - Offset Fin	1
7	25.6408-H-08	Fitting, -08 MB x Hollow Allen	1
8	06.0045-8.75IN	Weatherstrip, 1/8 X 3/4 X 8-3/4"	2
9	06.0045-8.25IN	Weatherstrip, 1/8 X 3/4 X 8-1/4"	2

HYDRAULICS, AXLES, & WHEELS

ILLUSTRATED DRAWING Hydraulic Drive Circuit Hoses



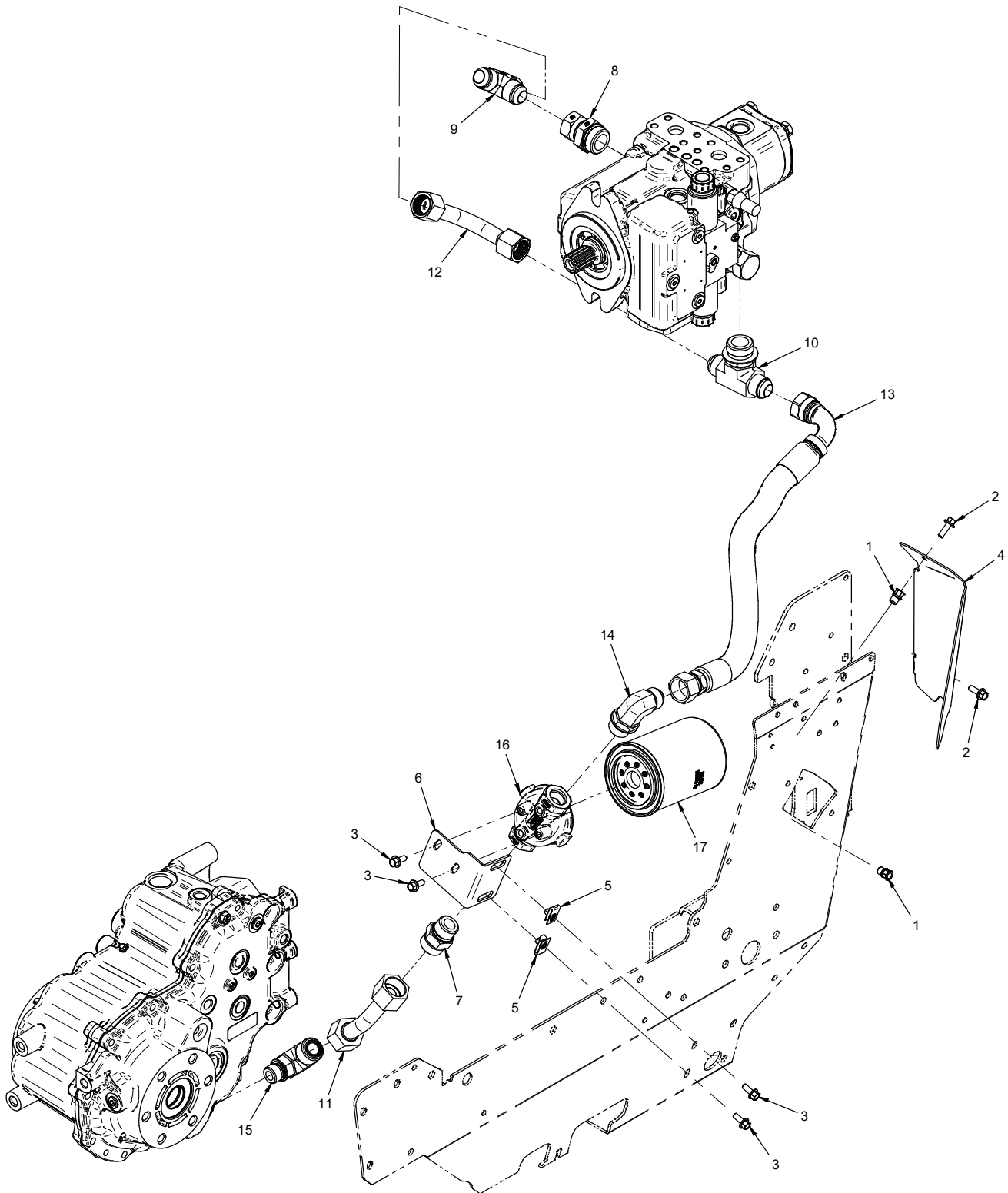
HYDRAULICS, AXLES, & WHEELS

Hydraulic Drive Circuit Hoses

REF.	PART NO.	DESCRIPTION	QTY.
1	97.0608	Bolt, Carriage 3/8-16 x 1	1
2	99.E0082	Nut, Locking Flange 3/8-16	1
3	44.0418	Clamp, 1-1/4" Loop Vinyl Cushion	1
4	90.0520	Bolt, 5/16-18 USS x 2 1/2	1
5	44.0416	Clamp, Hyd Hose 32mm ID 2 Cavity	1
6	21.0149	Motor, Hyd. Danfoss 20CC/Rev	2
7	25.FF6400-10-10	Fitting, Connector 10MFF x 10MB	2
8	25.FF6801-08-08	Fitting, 90 Elbow 8MFF x 8MB	2
9	25.6902-12-12	Fitting, 45 MFE 3/4 x 3/4	1
10	25.5405-12-08	Fitting, Reducer 3/4 X 1/2	1
11	25.FF2651MP-08-08-08-08	Fitting, Cross 08FF	1
12	25.FF6602-6-6-6	Fitting, Tee -06MF x -06FF x -06MF	1
13	25.FF6801-10-10	Fitting, 90 Elbow -10MF x -10MB	1
14	25.FF6400-L-10-10	Fitting, Connector Long -10MF x -10MB	1
15	25.FF6500-10-10	Fitting, 90 Elbow -10MF x -10FF	1
16	25.FF6502-10-10	Fitting, 45 Elbow -10MF x -10FF	1
17	23.0200	Valve, Check Parker 5 PSI, 06 ORB	1
18	21.0178	Pump, Gear	1
19	21.0179	Pump, Hyd. 28CC EH	1
20	25.FS1800-10-12	Fitting, -10 ORFS x -12 Code 62 Flange	2
21	23.0230	Valve, 4 Spool EH w/ Float Inlet	1
22	25.FF6400-06-06	Fitting, Connector -06MF x -06MB	1
23	25.FF6400-08-10	Fitting, Connector -08MF x -10MB	1
24	25.FF6400-04-08	Fitting, Connector -04MF x -08MB	1
25	25.2603-12-12-12	Fitting, M TEE 3/4 x 3/4 x 3/4	1
26	25.6803-12-12-16	Fitting, Tee Branch	1
27	25.2406-12-08	Fitting, Reducer FM 3/4 x 1/2	1
28	KN-6025	Bracket, Transaxle Mount Right	1
29	51.0095	Transaxle, Asm Progear 260	1
30	20.0484	Tube, Suction 3/4" OD x .065 Wall	1
31	20.0478	Hose, 5/8 x 75.50 SAE 100R2	1
32	20.0479	Hose, 5/8 x 20.00 SAE 100R2	1
33	20.0414	Hose, 5/8 x 53.00 SAE 100R16	1
34	22.0085	Hose, 1/2x15.00 ASTM D380 / ASTM D6751	1
35	20.0482	Hose, 1/4x26.00 SAE 100R17AR	1
36	22.0103	Hose, 1/2x18.50 ASTM D380 / ASTM D6751	1
37	22.0104	Hose, 1/2x57.00 ASTM D380 / ASTM D6751	1
38	20.0483	Hose, 1/4x76.00 SAE 100R17AR	1
39	99.E0102	Nut, Locking Flange 5/16-18	1

HYDRAULICS, AXLES, & WHEELS

ILLUSTRATED DRAWING Pump Supply Line & Main Hydraulic Filter



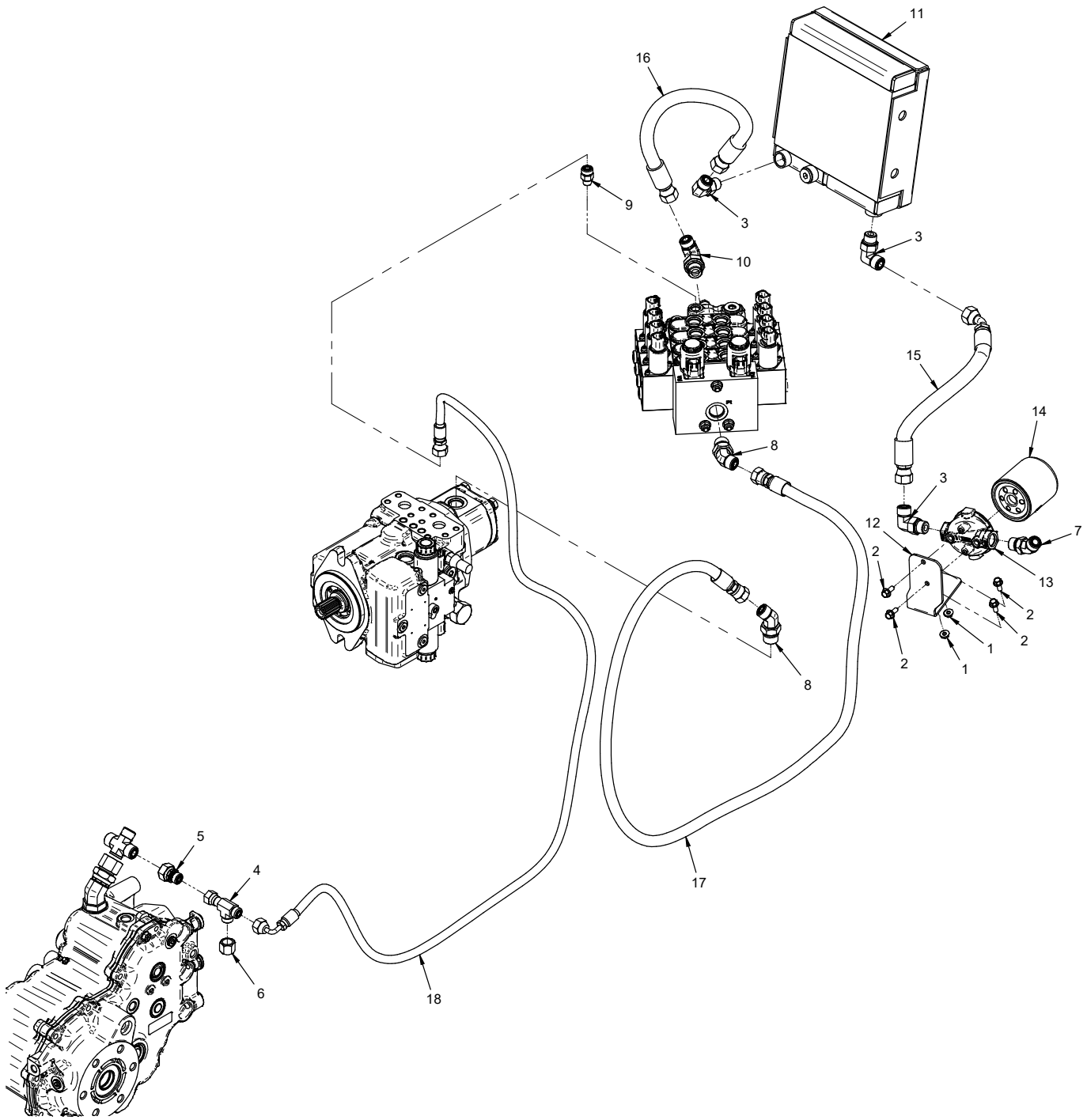
HYDRAULICS, AXLES, & WHEELS

Pump Supply Line & Main Hydraulic Filter

REF.	PART NO.	DESCRIPTION	QTY.
1	99.E0105	Nut, Insert 1/4-20 Hex	2
2	99.SF0406-1	Bolt, SMF 1/4-20 X 3/4	2
3	99.SF0405-1	Bolt, SMF 1/4-20 X 5/8	4
4	GR-1139	Cover, Hyd Filter Access, 45RC	1
5	99.E0046	Nut, "U" 1/4-20 Extruded	2
6	KN-1105	Bracket, Oil Filter Mounting	1
7	25.FF6400-12-12	Fitting, Connector -12MF x -12MB	1
8	25.6402-16-12	Fitting, Adapter -16MB x -12F JIC, Swivel	1
9	25.2603-12-12-12	Fitting, M Tee 3/4 x 3/4 x 3/4	1
10	25.6803-12-12-16	Fitting, Tee Branch	1
11	20.0403	Steel Tube, 3/4" OD x .065 Wall	1
12	20.0485	Hose, 3/4" x 7.75 SAE Flex Stl.	1
13	22.0102	Hose, 3/4x22.00 Parker EZ Form	1
14	25.6801-12-12	Fitting, 90 ME 3/4 x 3/4	1
15	25.FF6801-12-10	Fitting, 90 Elbow -12MF x -10MB	1
16	21.0153	Filter, Head -12 ORB Ports	1
17	21.0180	Filter, Hyd. 25 Micron Syn x 7"	1

HYDRAULICS, AXLES, & WHEELS

ILLUSTRATED DRAWING Hydraulic Implement Circuit Supply & Return



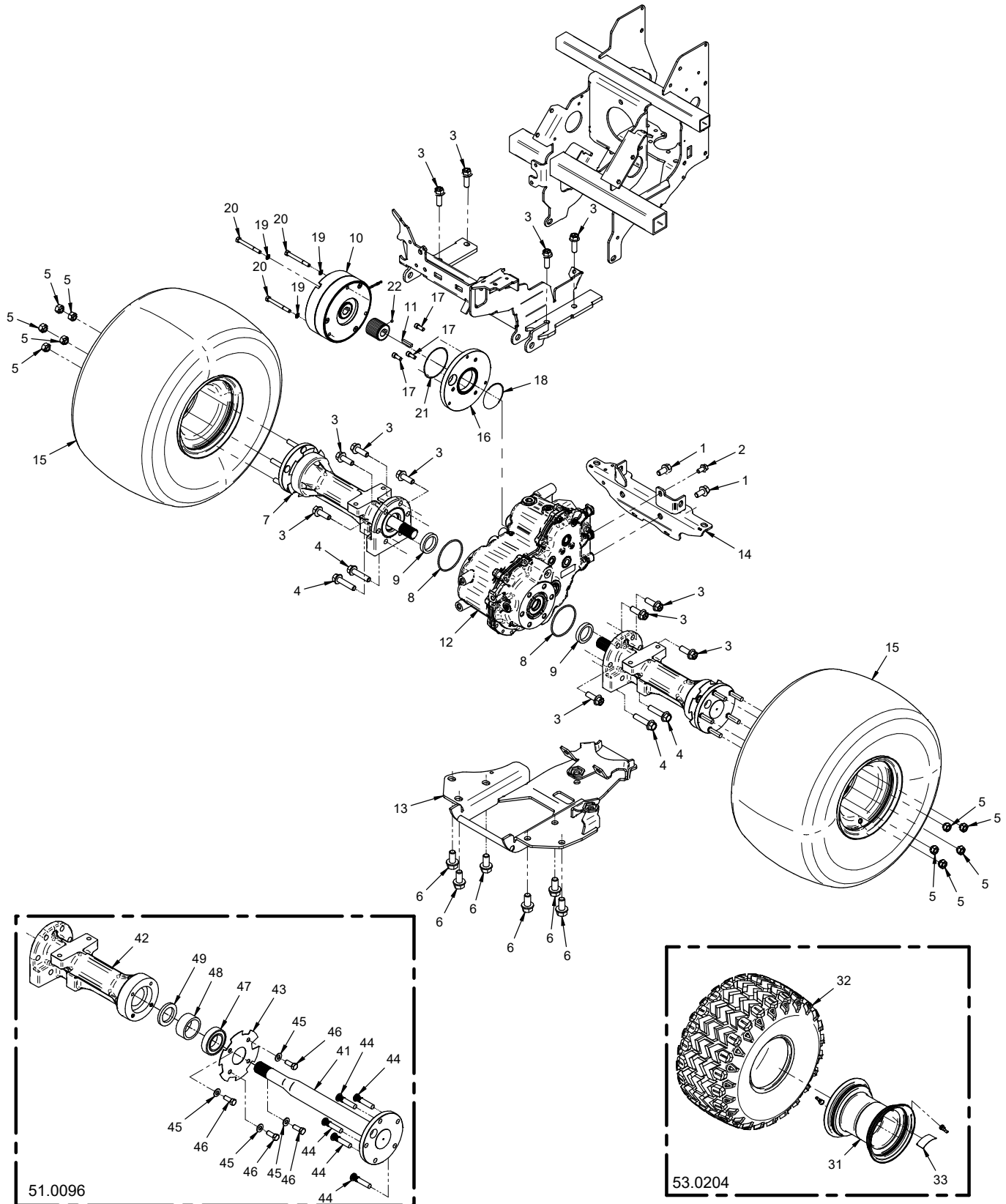
HYDRAULICS, AXLES, & WHEELS

Hydraulic Implement Circuit Supply & Return

REF.	PART NO.	DESCRIPTION	QTY.
1	99.SF04	Nut, SRF 1/4-20 USS	2
2	99.SF0405-1	Bolt, SMF 1/4-20 X 5/8	4
3	25.FF6801-08-08	Fitting, 90 Elbow 8MFF x 8MB	3
4	25.FF6602-6-6-6	Fitting, Tee -06MF x -06FF x -06MF	1
5	25.FF2406-08-06	FITTING, STRAIGHT REDUCER -08FF X -06MF	1
6	25.FF304-C-06-CP	Fitting, Cap -06 ORFS	1
7	25.FF6802-08-08	Fitting, 45 Elbow - 8Mff X 8Mb	1
8	25.FF6802-08-10	Fitting, 45 Elbow -08MFF x -10MB	2
9	25.FF6400-06-06	Fitting, Connector -06MF x -06MB	1
10	25.FF6801-08-10	Fitting, 90 Elbow 08MFF x 10MB	1
11	21.0155	Cooler, Hydraulic - Offset Fin	1
12	KN-1000	Bracket, Filter Mount	1
13	21.0154	Filter, Head 08 ORB	1
14	21.0124	Filter, Hyd. 10 Micron Cel.	1
15	22.0084	Hose, 1/2x14.50 ASTM D380 / ASTM D6751	1
16	22.0100	Hose, 1/2x13.50 ASTM D380 / ASTM D6751	1
17	20.0477	Hose, 3/8x67.00 SAE 100R17AR	1
18	20.0476	Hose, 1/4x90.00 SAE 100R17AR	1

HYDRAULICS, AXLES, & WHEELS

ILLUSTRATED DRAWING Front Transaxle & Wheels



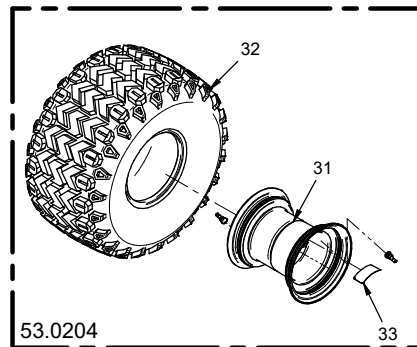
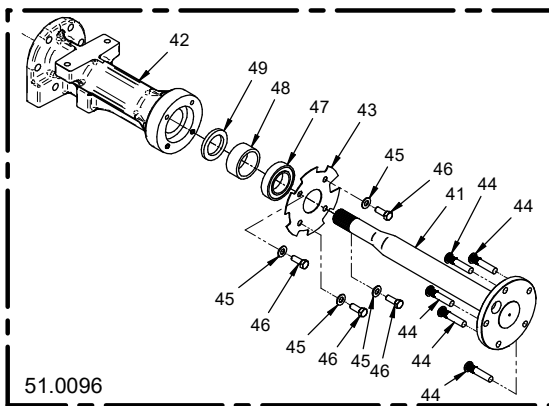
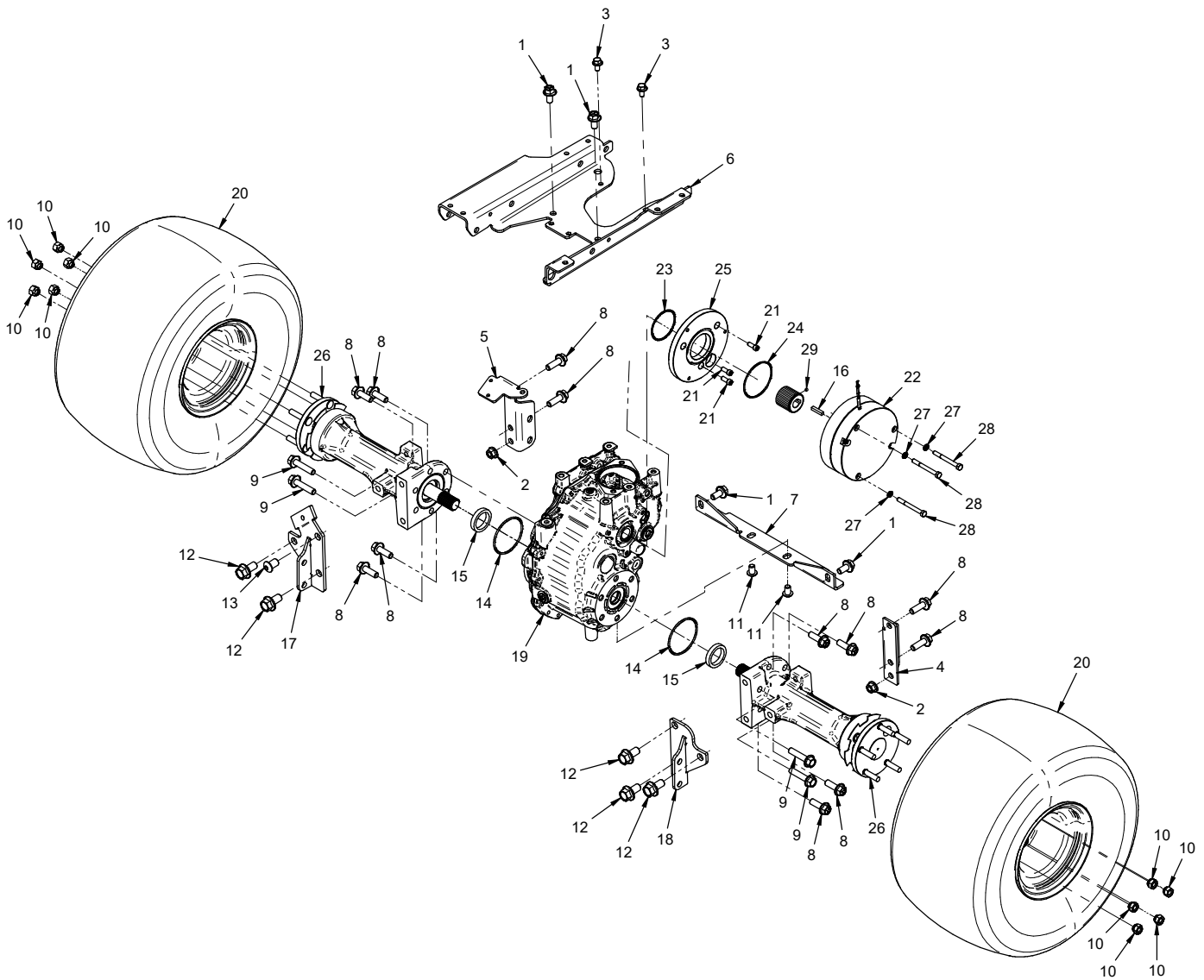
HYDRAULICS, AXLES, & WHEELS

Front Transaxle & Wheels

REF.	PART NO.	DESCRIPTION	QTY.
1	99.SF0808-1	.Bolt, SMF 1/2-13 x 1	2
2	99.SF0606-1	.Bolt, SMF 3/8-16 USS x 3/4	1
3	99.SF0812-1	.Bolt, SMF 1/2-13 x 1-1/2	12
4	99.SF0818-1	.Bolt, SMF 1/2-13 x 2-1/4	4
5	99.E0044	.Nut, Lug 7/16-20 SAE	10
6	99.SF1010-1	.Bolt, SMF 5/8-11 x 1-1/4	6
7	51.0096	.Axle, Asm Forged Progear	2
8	26.0024	.O-Ring, 3-1/8 x 3-3/8 x 1/8	2
9	51.0022	.Spacer, Axle For Housing Assy	2
10	53.0221	.Brake, Electromagnetic	1
11	85.K0410	.Key, 1/4 X 1-1/4	1
12	51.0095	.Transaxle, Asm Progear 260	1
13	62.1371	.Frame, Connector Link Mount.	1
14	KN-6013	.Bracket, Connector Frame MT.	1
15	53.0204	.Wheel, Asm 22x12x8 AT	2
16	GR-1172	.Plate, Electric Brake Mounting	1
17	99.K0134	.Bolt, SHCS 5/16-18 x 3/4	3
18	26.0063	.O-Ring, 2.5x68, Buna, Duro 70	1
19	99.B0144	.Washer, Sealing 7.8mm ID	6
20	90.0524	.Bolt, 5/16-18 USS x 3	6
21	26.0064	.O-Ring, 2.5x82, Buna, Duro 70	1
22	85.SS36	.Set Screw, 1/4-28 x 3/16"	1
31	53.0203	.Rim, 8 X 8.5, 5 On 4.5 BC	1
32	53.0089	.Tire, Field 22 X 12 X 8-No Rim	1
33	00.0645	.Decal, Hub Side	1
41	51.0096-2	.Shaft, Axle Asm Progear	1
42	51.0096-1	.Housing, Axle Progear	1
43	51.0096-4	.Plate, Debris Guard	1
44	51.0096-6	.Lug Stud, 7/16-20 x	5
45	95.06	.Washer, Flat 3/8 SAE	4
46	90.0608	.Bolt, 3/8-16 USS x 1	4
47	55.0129	.Bearing, Ball	1
48	51.0096-3	.Collar, Lock	1
49	51.0096-5	.Seal, Axle	1

HYDRAULICS, AXLES, & WHEELS

ILLUSTRATED DRAWING Rear Transaxle & Wheels



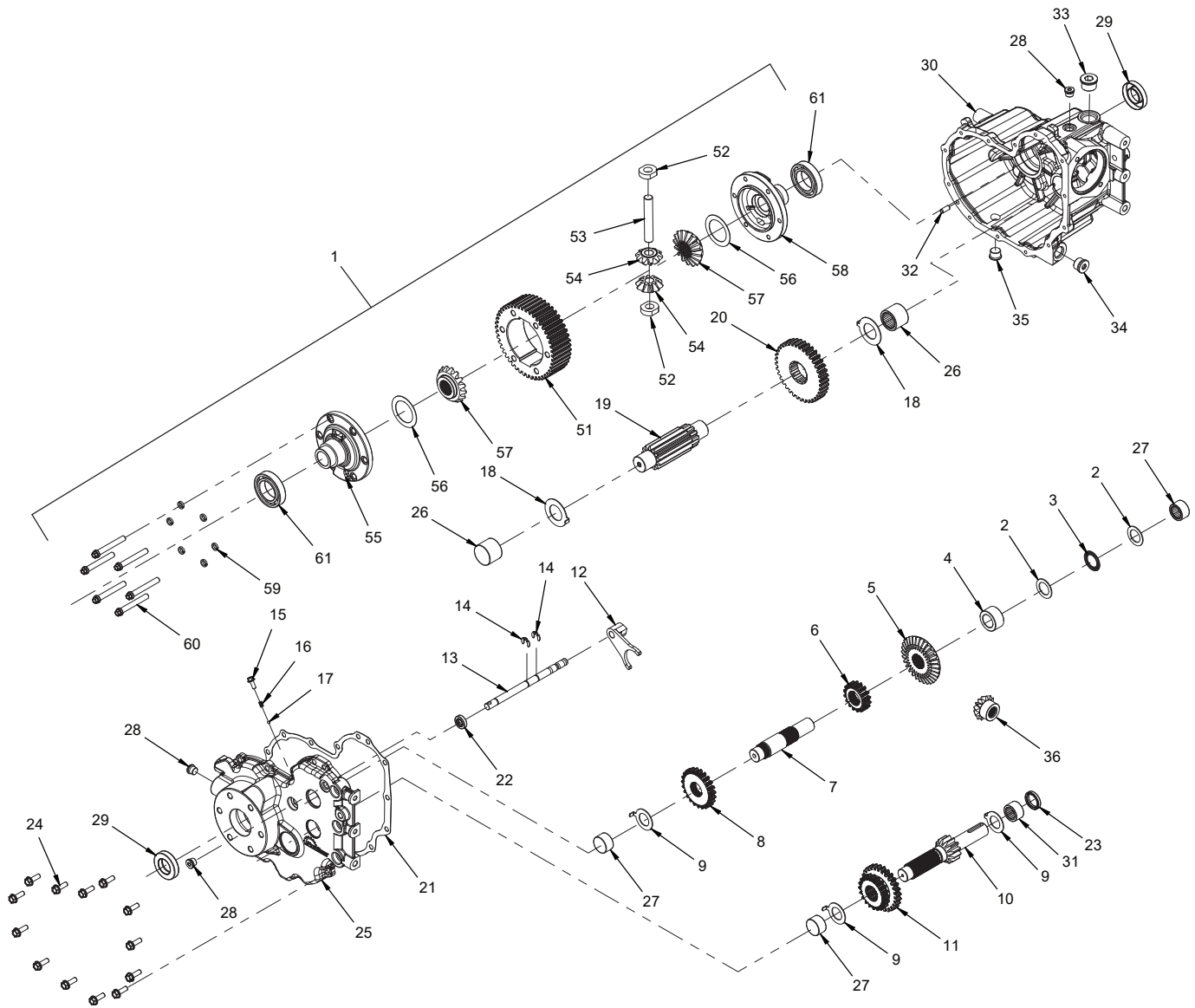
HYDRAULICS, AXLES, & WHEELS

Rear Transaxle & Wheels

REF.	PART NO.	DESCRIPTION	QTY.
1	99.SF0808-1	Bolt, SMF 1/2-13 x 1	4
2	99.SF08	Nut, SRF 1/2-13 USS	2
3	99.SF0606-1	Bolt, SMF 3/8-16 USS x 3/4	2
4	GR-1105	Bracket, Rear Hitch Mt Left, 45RC	1
5	KN-1032	Bracket, Rear Hitch Mt Right	1
6	KN-1484	Frame, Rear Upper	1
7	64.1864	Bracket, Rear Transaxle	1
8	99.SF0812-1	Bolt, SMF 1/2-13 x 1-1/2	12
9	99.SF0818-1	Bolt, SMF 1/2-13 x 2-1/4	4
10	99.E0044	Nut, Lug 7/16-20 SAE	10
11	99.0806	Bolt, 1/2-13 x 3/4 BSCS	2
12	99.SF1010-1	Bolt, SMF 5/8-11 x 1-1/4	5
13	99.1008	Bolt, 5/8-11 x 1 BSCS	1
14	26.0024	O-Ring, 3-1/8 x 3-3/8 x 1/8	3
15	51.0022	Spacer, Axle For Housing Assy	2
16	85.K0410	Key, 1/4 X 1-1/4	1
17	KN-6025	Bracket, Transaxle Mount Right	1
18	64.1594	Bracket, Transaxle Mount Left	1
19	51.0095	Transaxle, Asm Progear 260	1
20	53.0204	Wheel, Asm 22x12x8 AT	2
21	99.K0134	Bolt, SHCS 5/16-18 x 3/4	3
22	53.0221	Brake, Electromagnetic	1
23	26.0063	O-Ring, 2.5x68, Buna, Duro 70	1
24	26.0064	O-Ring, 2.5x82, Buna, Duro 70	1
25	GR-1172	Plate, Electric Brake Mounting	1
26	51.0096	Axle, Asm Forged Progear	2
27	99.B0144	Washer, Sealing 7.8mm ID	3
28	90.0524	Bolt, 5/16-18 USS x 3	3
29	85.SS36	Set Screw, 1/4-28 x 3/16"	1
31	53.0203	Rim, 8 X 8.5, 5 On 4.5 BC	1
32	53.0089	Tire, Field 22 X 12 X 8-No Rim	1
33	00.0645	Decal, Hub Side	1
41	51.0096-2	Shaft, Axle Asm Progear	1
42	51.0096-1	Housing, Axle Progear	1
43	51.0096-4	Plate, Debris Guard	1
44	51.0096-6	Lug Stud, 7/16-20 x	5
45	95.06	Washer, Flat 3/8 SAE	4
46	90.0608	Bolt, 3/8-16 USS x 1	4
47	55.0129	Bearing, Ball	1
48	51.0096-3	Collar, Lock	1
49	51.0096-5	Seal, Axle	1

HYDRAULICS, AXLES, & WHEELS

ILLUSTRATED DRAWING ProGear Transaxle (51.0095)



HYDRAULICS, AXLES, & WHEELS

ProGear Transaxle (51.0095)

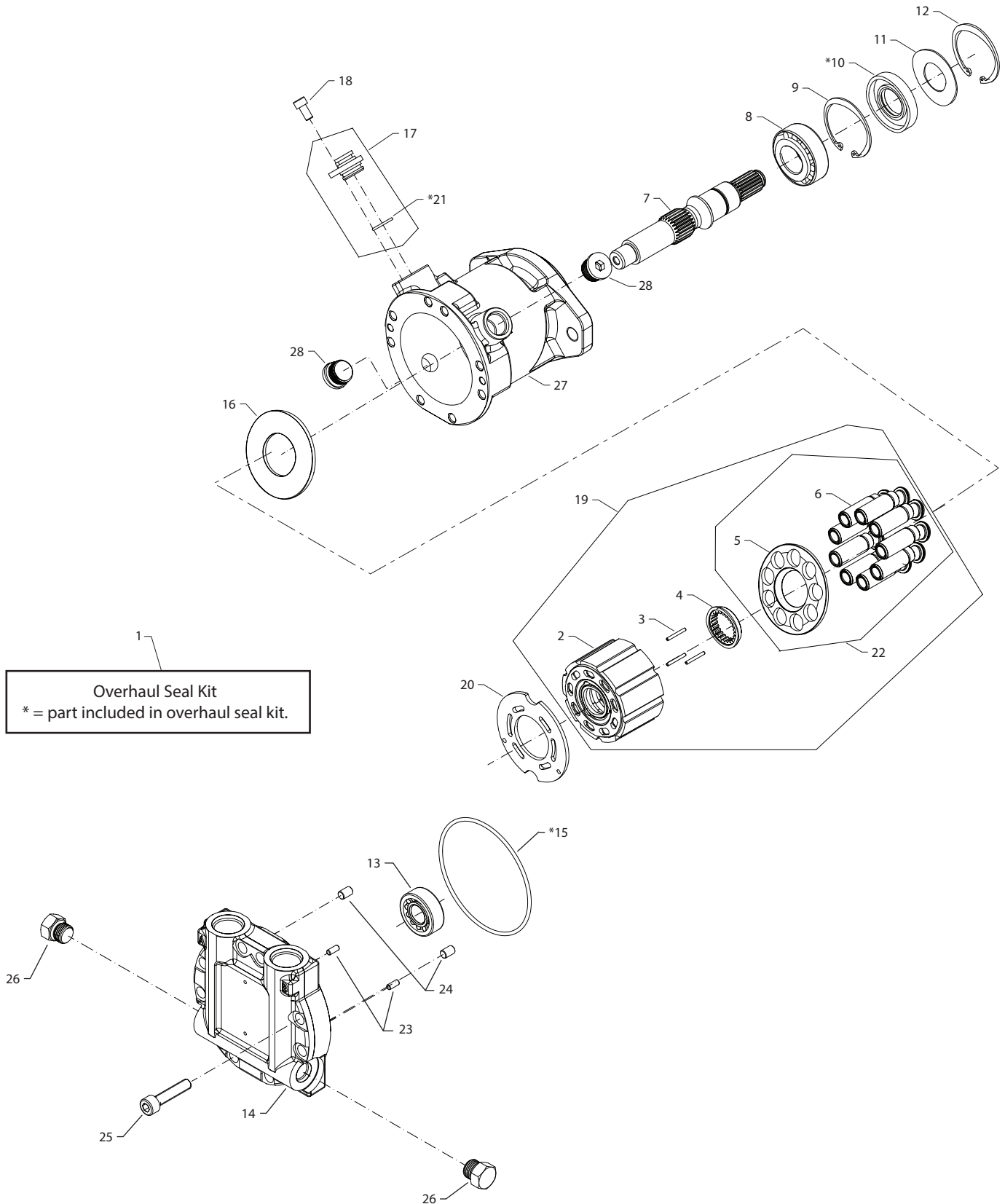
REF.	PART NO.	DESCRIPTION	QTY.
2	51.0098	.Washer, Thrust 1.0 ID	2
3	51.0099	.Bearing, Thrust	1
9	51.0100	.Washer, Tabbed 1.00	3
12	51.0101	.Fork, Shift	1
15	99.SF0405-1	.Bolt, SMF 1/4-20 x 5/8	1
16	41.0143	.Spring, Detent	1
17	51.0102	.Ball, Detent	1
18	51.0103	.Washer, Tabbed 1.25	2
19	51.0104	.Shaft, Output 13 Teeth	1
21	89.0119	.Gasket, Case	1
22	89.0120	.Seal, Shifter Rod Oil	1
23	89.0121	.Seal, Brake Shaft Oil	1
24	99.C0508	.Bolt, HHS 5/16-18 x 1, Thread Forming	13
25	51.0105	.Cover, Progear 260 Transaxle*	1
26	55.0130	.Bearing, Needle - Closed 1-1/4	2
27	55.0131	.Bearing, Needle - Closed 1	3
28	25.6408-H-06	.Fitting, -06 MB x Hollow Allen	3
29	89.0122	.Seal, Oil - Axle 1-1/8	2
30	51.0106	.Case, Progear 260 Transaxle**	1
31	55.0133	.Needle Bearings - Open 1	1
32	51.0107	.Pin, Dowel 5/16 x 3/4	2
33	25.6408-H-12	.Fitting, -12 MB x Hollow Allen	1
34	25.6508-H-10	.Fitting, -10 MB x Hollow Allen	1
35	25.6408-H-08	.Fitting, -08 MB x Hollow Allen	1
36	51.0108	.Gear, Pinion 13T-LH-CW-ZEROL	1
56	51.0109	.Washer, Thrust 1.75 ID x 2.50 OD x .03 W	2
57	51.0110	.Gear, Bevel 16 T Differential ZEROL	2
61	55.0132	.Bearing, Ball 68MM x 40MM x 15MM	2

* Includes Ref. 26 Bearings 55.0130, Qty 2 of Ref. 27 Bearings 55.0131, and Ref. 29 Seal 89.0122.

** Includes Ref. 26 Bearings 55.0130, Qty 1 of Ref. 27 Bearings 55.0131, Ref. 29 Seal 89.0122, and Ref. 31 Bearings 55.0133.

HYDRAULICS, AXLES, & WHEELS

ILLUSTRATED DRAWING Danfoss Hydraulic Motor (21.0149)



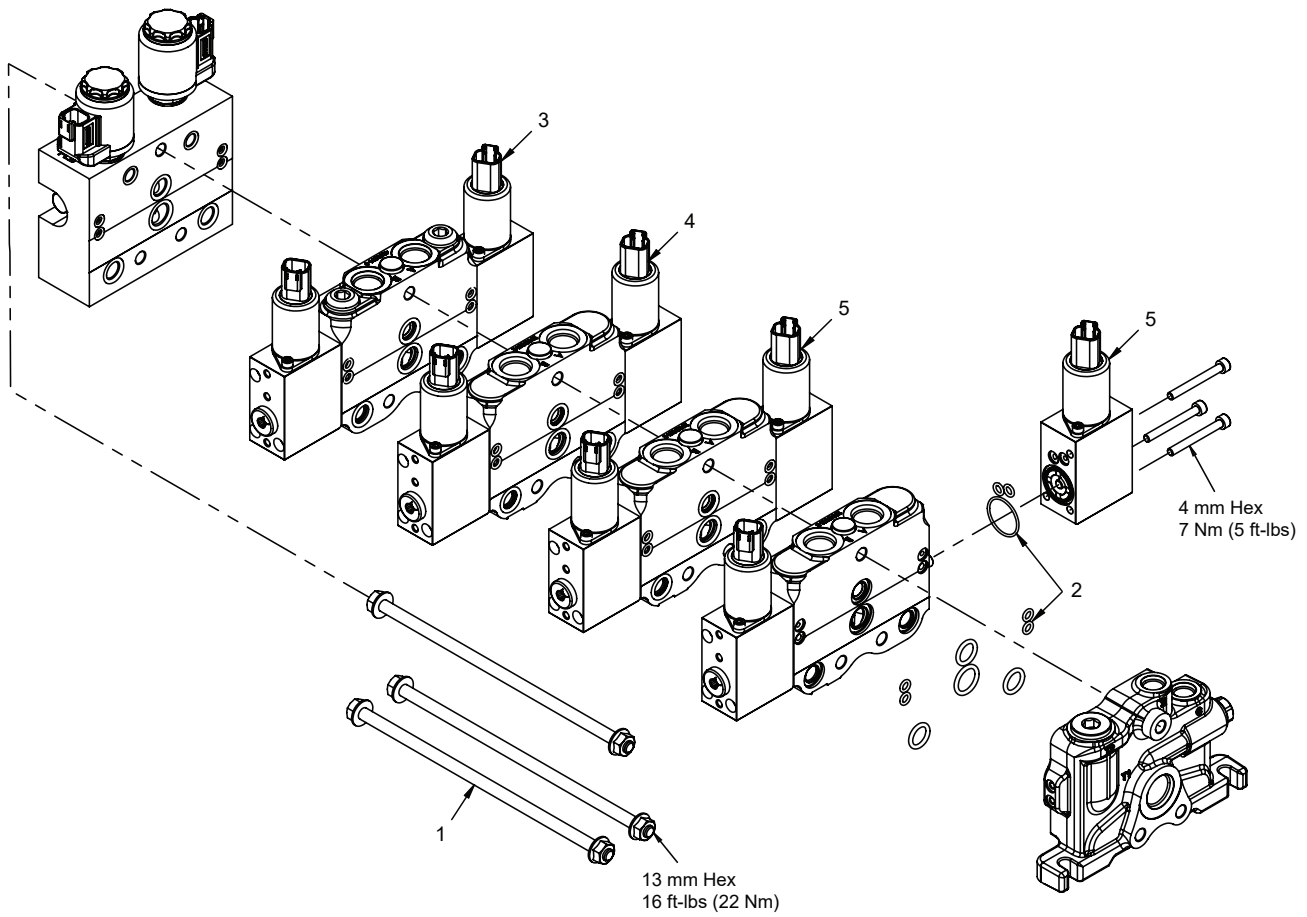
HYDRAULICS, AXLES, & WHEELS

Danfoss Hydraulic Motor (21.0149)

REF.	PART NO.	DESCRIPTION	QTY.
1	89.0115	Kit, Seal	1
2	21.0166	Assembly, Cylinder Block PM 20CC	1
3	03.0042	Pin, Slipper Hold Down	3
4	21.0167	Guide Ball, 20CC	1
5	21.0168	Retainer, Slipper	1
6	21.0157	Assembly, Piston	9
7	21.0169	Shaft, 17T 24/48	1
8	55.0121	Bearing, Taper Roller	1
9	04.0056	Ring, Retaining	1
10	89.0110	Seal, Motor Shaft Lip	1
11	21.0170	Washer, Support	1
12	04.0055	Ring, Retaining	1
13	55.0122	Bearing, Taper Roller	1
14	21.0171	Cap, End	1
15	26.0008	O-Ring, .103 x 3.48ID x 3.693OD Viton	1
16	21.0172	Plate, Thrust	1
17	21.0173	Plug, PPU H1 Assembly	1
18	99.M0073	Bolt, M6 x 1.0 x 12 SHCS	1
19	21.0174	Kit, Cylinder Block	1
20	21.0175	Valve Plate, Motor	1
21	26.0054	O-Ring, -016 Viton 80D	1

HYDRAULICS, AXLES, & WHEELS

ILLUSTRATED DRAWING 4 Spool Valve EH w/Float (23.0230)



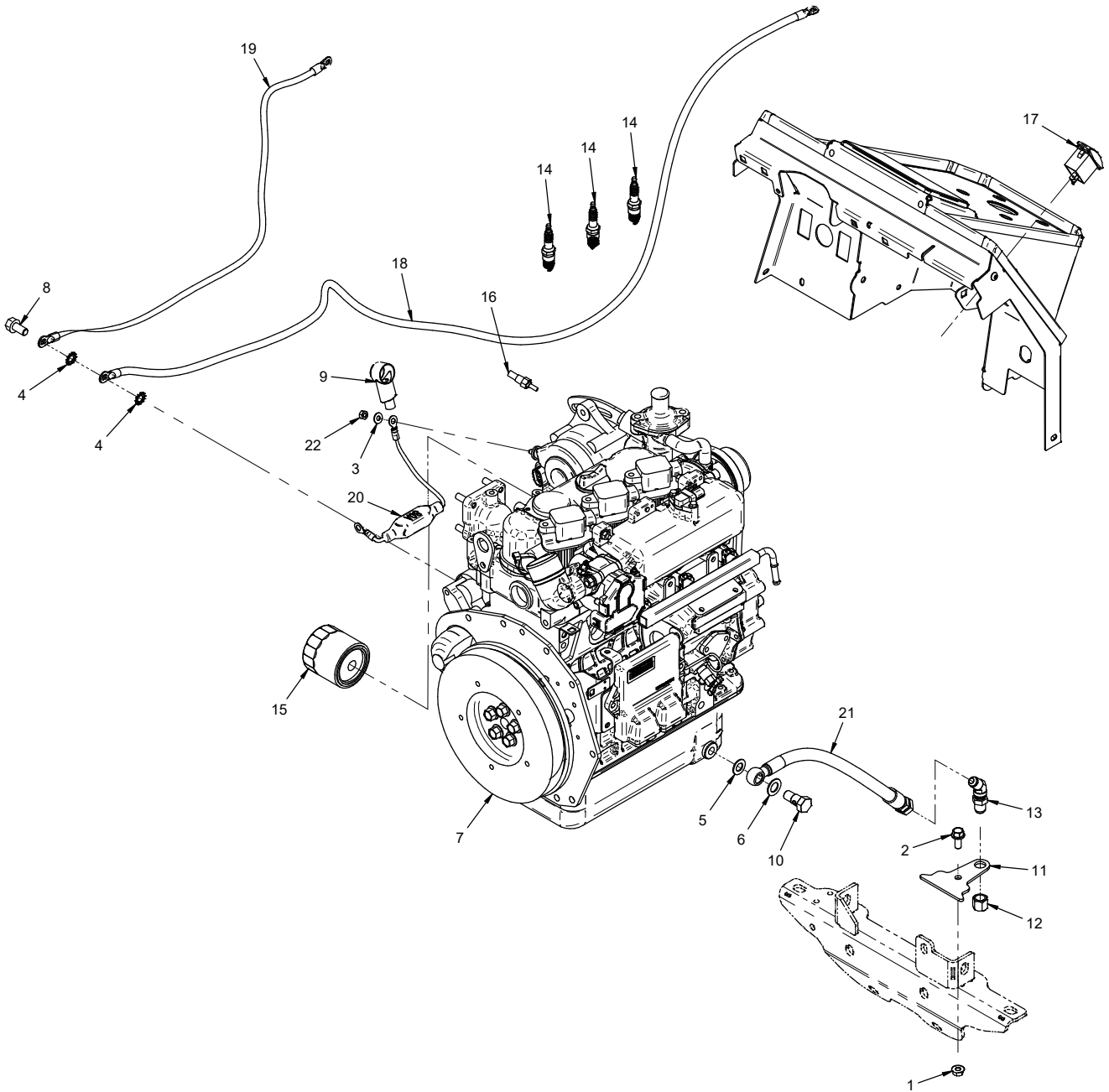
HYDRAULICS, AXLES, & WHEELS

4 Spool Valve EH w/Float (23.0230)

REF.	PART NO.	DESCRIPTION	QTY.
1	23.0232	.Kit, Tie Rod, 13mm Hex	1
2	23.0233	.Kit, Seal	1
3	23.0234	.Solenoid, Service Section 1	1
4	23.0235	.Solenoid, Service Section 2	1
5	23.0236	.Solenoid, Service Sections 3 & 4	2

ENGINE

ILLUSTRATED DRAWING 45RC Kubota Gas Engine



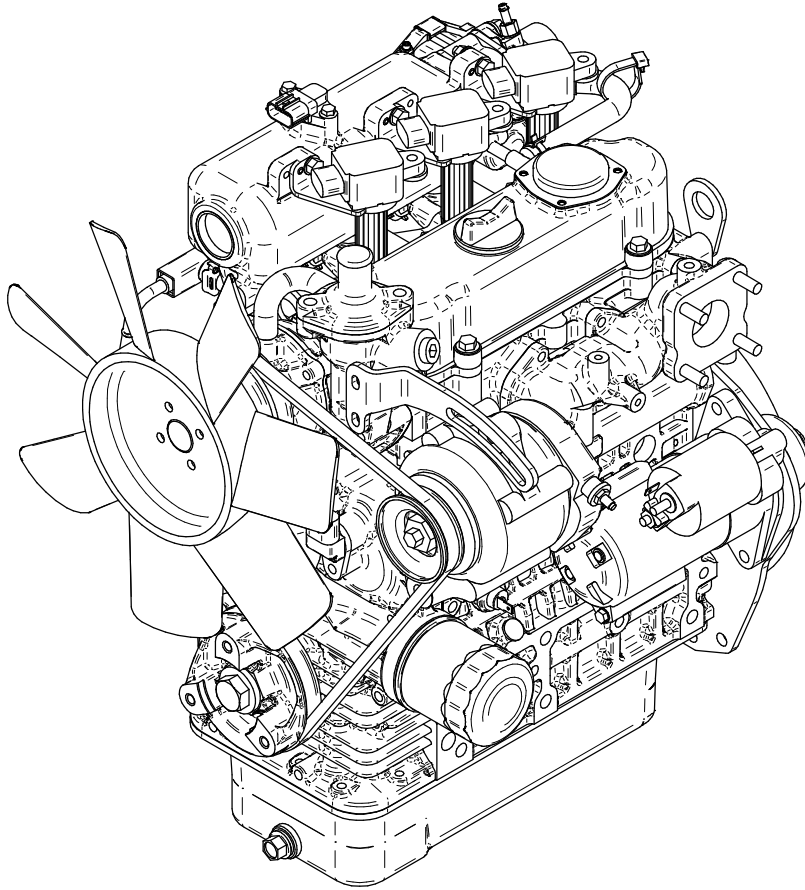
ENGINE

45RC Kubota Gas Engine

REF.	PART NO.	DESCRIPTION	QTY.
1	99.SF05	Nut, SRF 5/16-18 USS	1
2	99.SF0506-1	Bolt, SMF 5/16-18 USS x 3/4	1
3	99.B0051	Washer, Flat #10	1
4	99.G0004	Washer, Star-External 3/8	2
5	99.B0108	Washer, Sealing 12mm Copper	1
6	99.B0106	Washer, Sealing 14mm Copper	1
7	13.0325-1	Engine, Kubota 32 HP Gas LC	1
8	99.M0028	Bolt, M10-1.25 X 20MM Flange	1
9	30.0321	Insulator, Alternator Post	1
10	14.0051	Bolt, Banjo M12 x 1.25	1
11	KN-1087	Mount, Oil Drain Hose	1
12	25.304-C-06	Fitting, Cap 3/8 #6 JIC	1
13	25.2702-06-06LN	Fitting, Bulkhead 3/8 W/LN 45	1
14	13.0285	Plug, Spark	3
15	13.0267	Filter, Engine Oil Kubota	1
16	13.0286	Sending Unit, Temperature	1
17	31.0056	Switch, Rocker (On)/Off/(On)	1
18	32.0103	Cable, Asm Neg 4GA	1
19	32.0112	Cable, Asm Neg 4Ga	1
20	30.0599	Fuse Holder, w/ 80A Inline Maxi Fuse	1
21	22.0062	Hose, 3/8x14.00 PLK 250PSI CPE	1
22	99.M0031	Nut, M6 X 1.00	1

ENGINE

ILLUSTRATED DRAWING 45RC Kubota Gas Engine 13.0325 32 HP LC



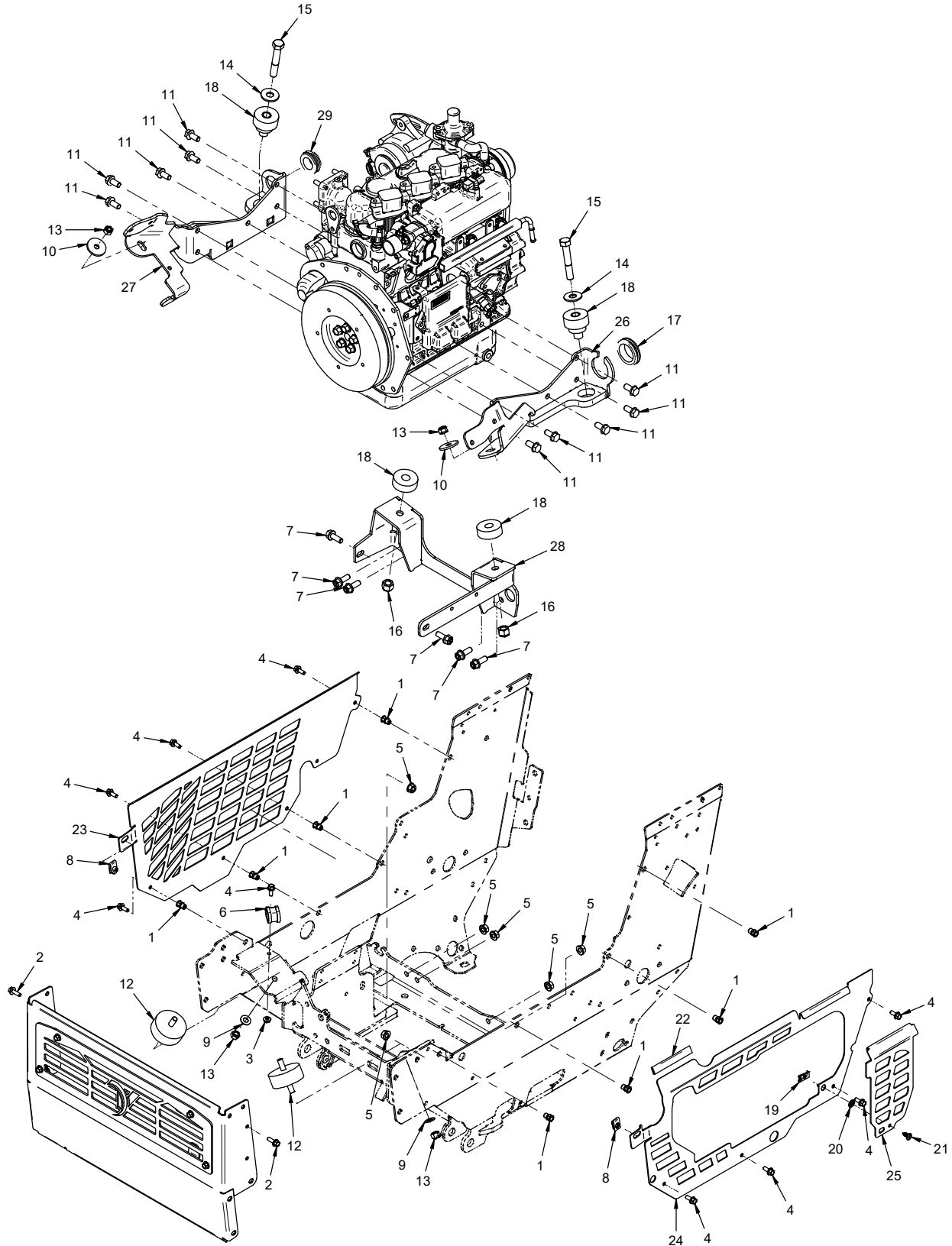
ENGINE

45RC Kubota Gas Engine 13.0325 32 HP LC

REF.	PART NO.	DESCRIPTION	QTY.
1	13.16483-64600	.Assy, Regulator	1
2	13.16851-15110	.Push Rod	6
3	13.01023-50612	.Bolt, SEMS.	2
4	13.EG561-03312	.Gasket, Head	1
5	13.04724-00120	.Gasket, Water Temp Sensor	1
6	13.5H601-41490	.Sensor, Water Temp	1
7	13.15261-03370	.Cap, Sealing	2
8	13.0277	.Dipstick, Oil Gauge	1
9	13.0278	.Plug, Oil Gauge	1
10	13.01754-50612	.Bolt, Flange	6
11	13.EG821-89167	.Operator's Manual, Hard Copy	1
12	13.EH924-60200	.ECU Assembly	1
13	13.1G962-12350	.Gasket, Exhaust Manifold	1
14	13.02756-50060	.Nut, Ubs	6
15	13.16261-74152	.Collar, Fan	1
16	13.EG815-68330	.Sensor, Revolution	5
17	13.1G962-04130	.Gasket, Gear Case	1
18	13.EG815-14520	.Gasket, Head Cover (O-Ring)	1
19	13.1A021-05430	.O-Ring (Breather)	1
20	13.1G911-91022	.Bolt	4
21	13.1J001-96770	.O-Ring	1
22	13.E9151-33140	.Plug, Oil Filler	1
23	13.EG815-68900	.Coil, Ignition	3
24	13. EG261-11510	.Gasket, Air Cleaner	2
25	13.EG522-44020	.Injector	3
26	13. EG815-44050	.Injector Stopper Retainer Clip	3
27	13. EG523-44800	.Sensor, TMAP	1
28	13. EG523-96770	.TMAP Sensor O-Ring	1
29	13.01023-50625	.Bolt, SEMS.	3
30	13.0101	.Seal, Front Main Kubota	2
31	13.01023-50622	.Bolt, SEMS.	20
32	13.15852-04360	.Gasket, Bearing Case	1
33	13.1G460-04460	.Seal, Oil	1
34	13.6C090-58960	.Gasket	1
35	13.15841-35660	.Gear, Oil Pump Drive	1
36	13.1A024-39010	.Switch, Oil	1
37	13.15861-22314	.Metal, Crankpin STD/Set	3
38	13.E9121-68332	.Assy Sensor, Stick	1
39	13.EG821-52020	.Pump, Fuel Assy, Electric	1
40	13.12181-63080	.Solenoid, Starter WG972	1
41	13.67980-31150	.Assy Starter	1
42	13.EG561-13120	.Valve, Exhaust	3
43	13.16851-13280	.Cap, Valve	6
44	13.14601-13240	.Spring, Valve	6
45	13.1E051-72702	.Comp Flange, Water	1
46	13.1E051-73260	.Cover, Thermostat	1
47	13.15841-72923	.Gasket, Water Flange	1
48	13.16241-73370	.Pipe, Water Return	1
49	13.15321-73016	.Thermostat, 180°F Kubota	1
50	13.15841-72960	.Band, Pipe	2
51	13.16805-72870	.Hose, Water	1
52	13.1E051-73034	.Assy Pump, Water	1
53	13.16871-73430	.Gasket, Water Pump	1

ENGINE

ILLUSTRATED DRAWING 45RC Kubota Gas Engine Mount



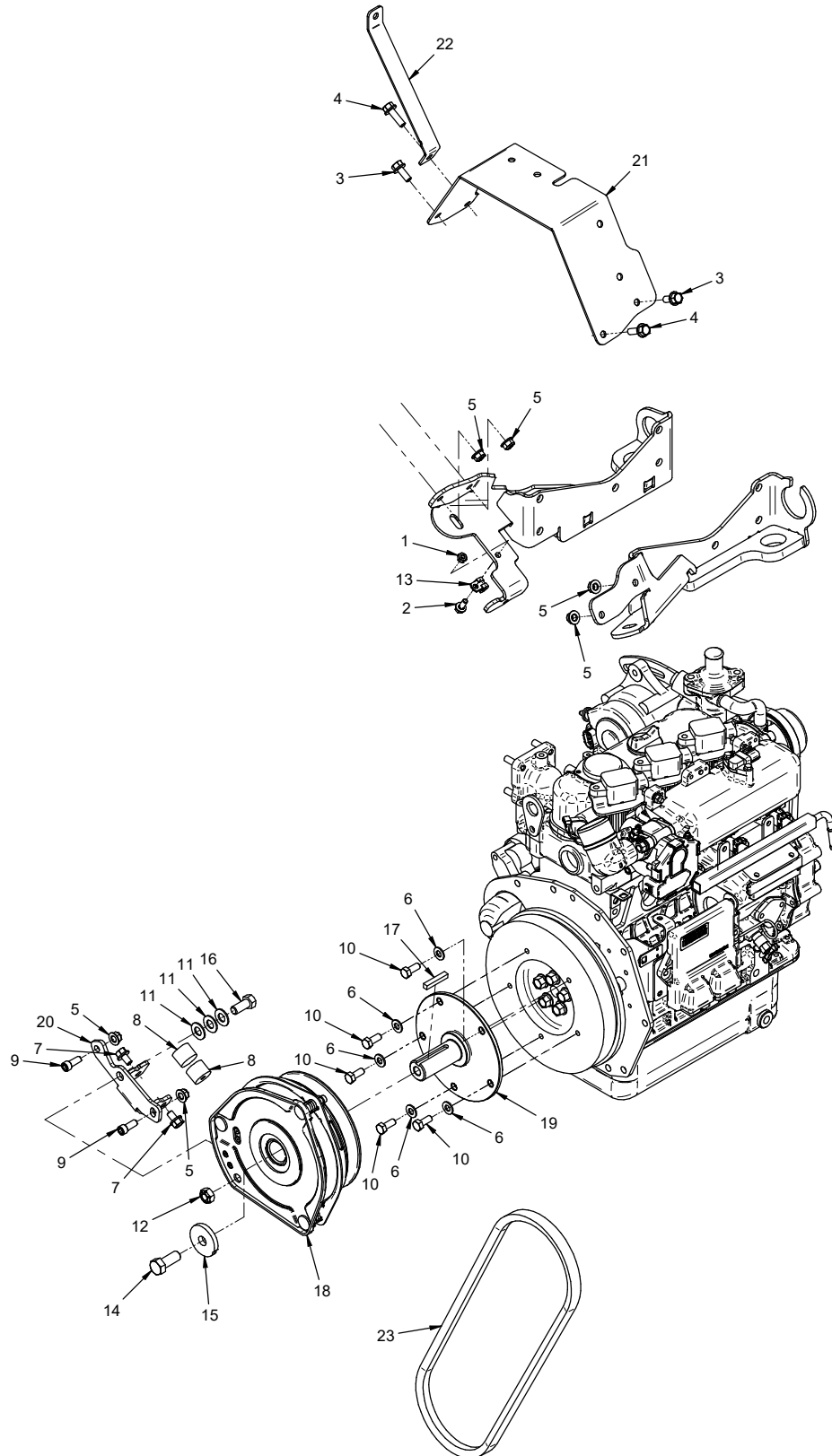
ENGINE

45RC Kubota Gas Engine Mount

REF.	PART NO.	DESCRIPTION	QTY.
1	99.E0105	.Nut, Insert 1/4-20 Hex	8
2	99.SF0406-1	.Bolt, SMF 1/4-20 X 3/4	2
3	99.SF04	.Nut, SRF 1/4-20 USS	3
4	99.SF0405-1	.Bolt, SMF 1/4-20 X 5/8	11
5	99.SF06	.Nut, SRF 3/8-16 USS	6
6	11.0046	.Clamp, Cushioned 1/2" 2-Tube	1
7	99.SF0608-1	.Bolt, SMF 3/8-16 x 1	6
8	99.E0046	.Nut, "U" 1/4-20 Extruded	2
9	95.06	.Washer, Flat 3/8 SAE	2
10	99.B0076	.Washer, .130T x .395ID x 1.5OD	2
11	99.M0028	.Bolt, M10-1.25 X 20MM Flange	10
12	05.0088	.Isolator, 3/8-16 X 2.5 OD X 1"	2
13	99.A06N	.Locknut, Nylon 3/8-16	4
14	94.08	.Washer, Flat 1/2 USS	2
15	90.0824	.Bolt, 1/2-13 USS x 3	2
16	99.A08N	.Locknut, Nylon 1/2-13 USS	2
17	05.0036	.Grommet, 1 1/2Id, 2 1/8Od, 9/16T	1
18	05.0183	.Isolator, 1/2 Id x 1.88 OD x 2 Piece	2
19	99.E0157	.Receptacle, Fast Lead Screw	1
20	99.E0156	.Retainer, Fast Lead Screw	1
21	99.K0184	.Screw, Captive Fast Lead	1
22	06.0042-4	.Trim, Trim Loc 1/2 X 1/16	1
23	KN-1077	.Cover, Engine Right	1
24	KN-1460	.Panel, Main Left	1
25	KN-1461	.Panel, Access Left	1
26	GR-6016	.Mount, Engine Kubota Left	1
27	GR-6015	.Mount, Engine Kubota Right	1
28	64.2007	.Mount, Engine Kubota Rear	1
29	05.0177	.Grommet, 1 ID, 1-3/4 OD, 5/8 Thk	1

ENGINE

ILLUSTRATED DRAWING 45RC Kubota Gas PTO Clutch



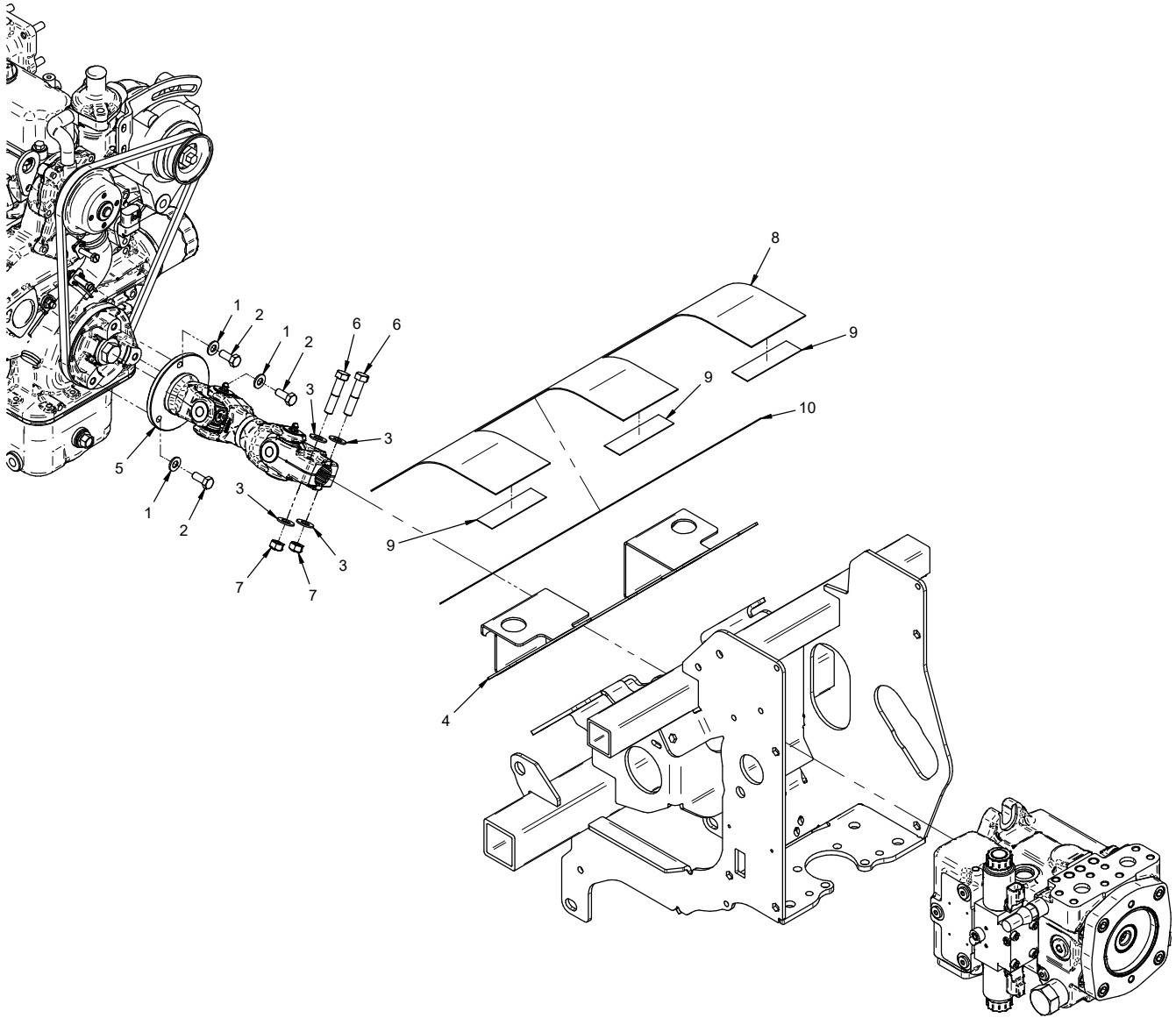
ENGINE

45RC Kubota Gas PTO Clutch

REF.	PART NO.	DESCRIPTION	QTY.
1	99.SF04	.Nut, SRF 1/4-20 USS	1
2	99.SF0405-1	.Bolt, SMF 1/4-20 X 5/8	1
3	99.SF0506-1	.Bolt, SMF 5/16-18 USS x 3/4	2
4	99.SF0508-1	.Bolt, SMF 5/16-18 x 1	2
5	99.E0102	.Nut, Locking Flange 5/16-18	6
6	95.05	.Washer, Flat 5/16 SAE	5
7	99.SF0504-1	.Bolt, SMF 5/16-18 USS x 1/2	2
8	05.0110	.Bumper, Neoprene 1" Dia	2
9	99.K0134	.Bolt, SHCS 5/16-18 x 3/4	2
10	99.M0005	.Bolt, M8 X 1.25 P X 20MM	5
11	95.07	.Washer, Flat 7/16 SAE	3
12	99.A07	.Locknut, Stover 7/16-14 USS	1
13	11.0058	.Clamp, Cushioned 3/8"	1
14	91.0810	.Bolt, 1/2-20 SAE x 1 1/4	1
15	99.B0064	.Washer, 1/4 x 1.75 x .531 Hole	1
16	90.0708	.Bolt, 7/16-14 USS x 1	1
17	85.K0412	.Key, 1/4 X 1-1/2	1
18	37.0060	.Clutch, Electric Ogura GT3.5	1
19	13.0257	.Stub Shaft, Kubota KN	1
20	64.1697	.Bracket, Clutch Torque	1
21	KN-1429	.Cover, Flywheel	1
22	KN-1443	.Brace, Exhaust Tube Shield	1
23	81.B038	.Belt, B38 / 85410 5 L section belt	1

ENGINE

ILLUSTRATED DRAWING 45RC Kubota Gas Drive Shaft



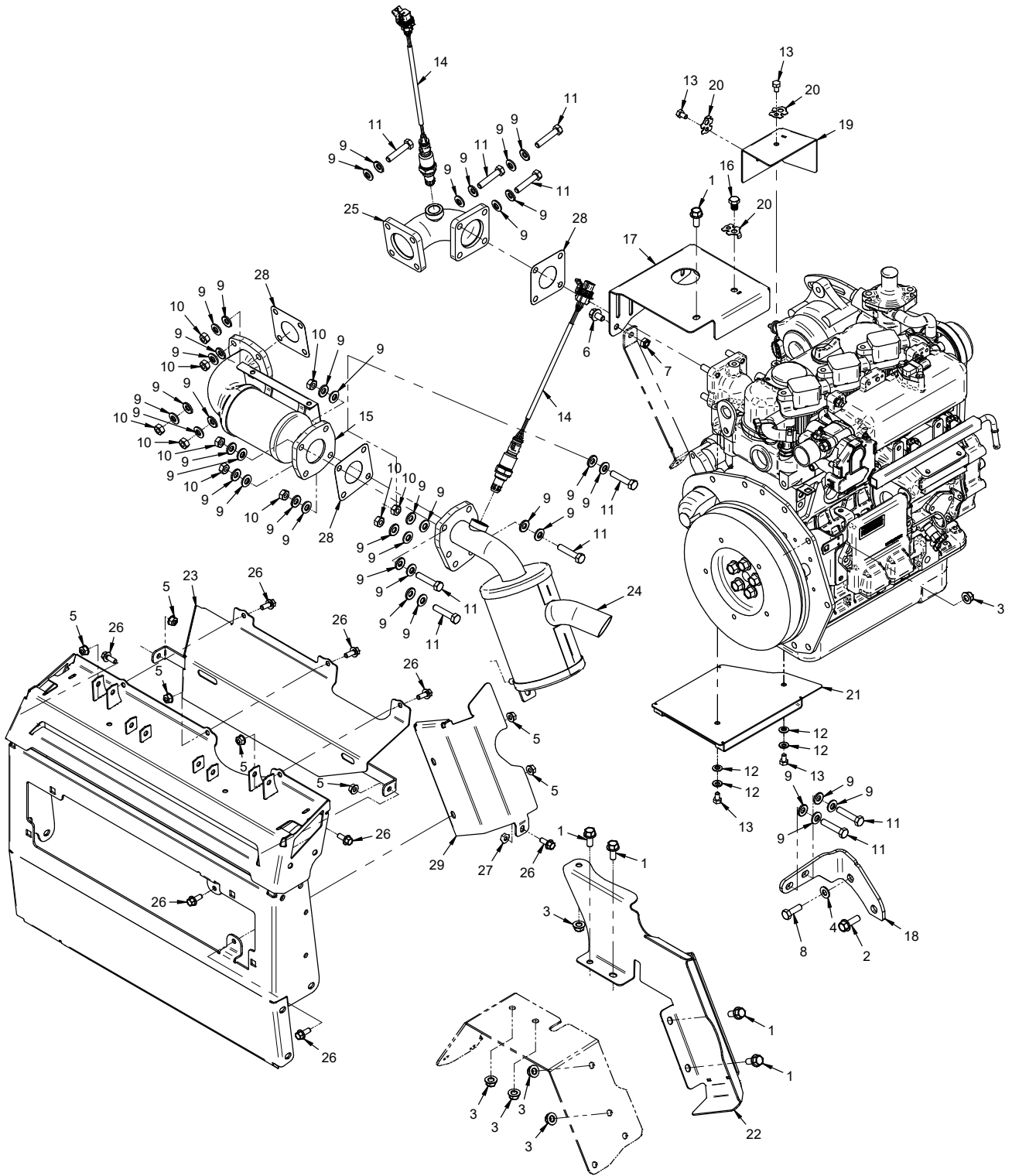
ENGINE

45RC Kubota Gas Drive Shaft

REF.	PART NO.	DESCRIPTION	QTY.
1	95.05	Washer, Flat 5/16 SAE	3
2	99.M0005	Bolt, M8 X 1.25 P X 20MM	3
3	95.06	Washer, Flat 3/8 SAE	4
4	KN-1237	Bracket, Radiator Mount Bottom	1
5	87.0264	U-joint, Pump Drive	1
6	90.0614	Bolt, 3/8-16 USS x 1-3/4	2
7	99.A06	Locknut, Stover 3/8-16 USS	2
8	44.0420	Canvas, Debris Barrier	1
9	06.0065-3.5IN	Velcro, Hook 1" x 3.5"L	3
10	06.0065-20IN	Velcro, Hook 1" x 20.0"L	1

ENGINE

ILLUSTRATED DRAWING 45RC Kubota Gas Muffler



ENGINE

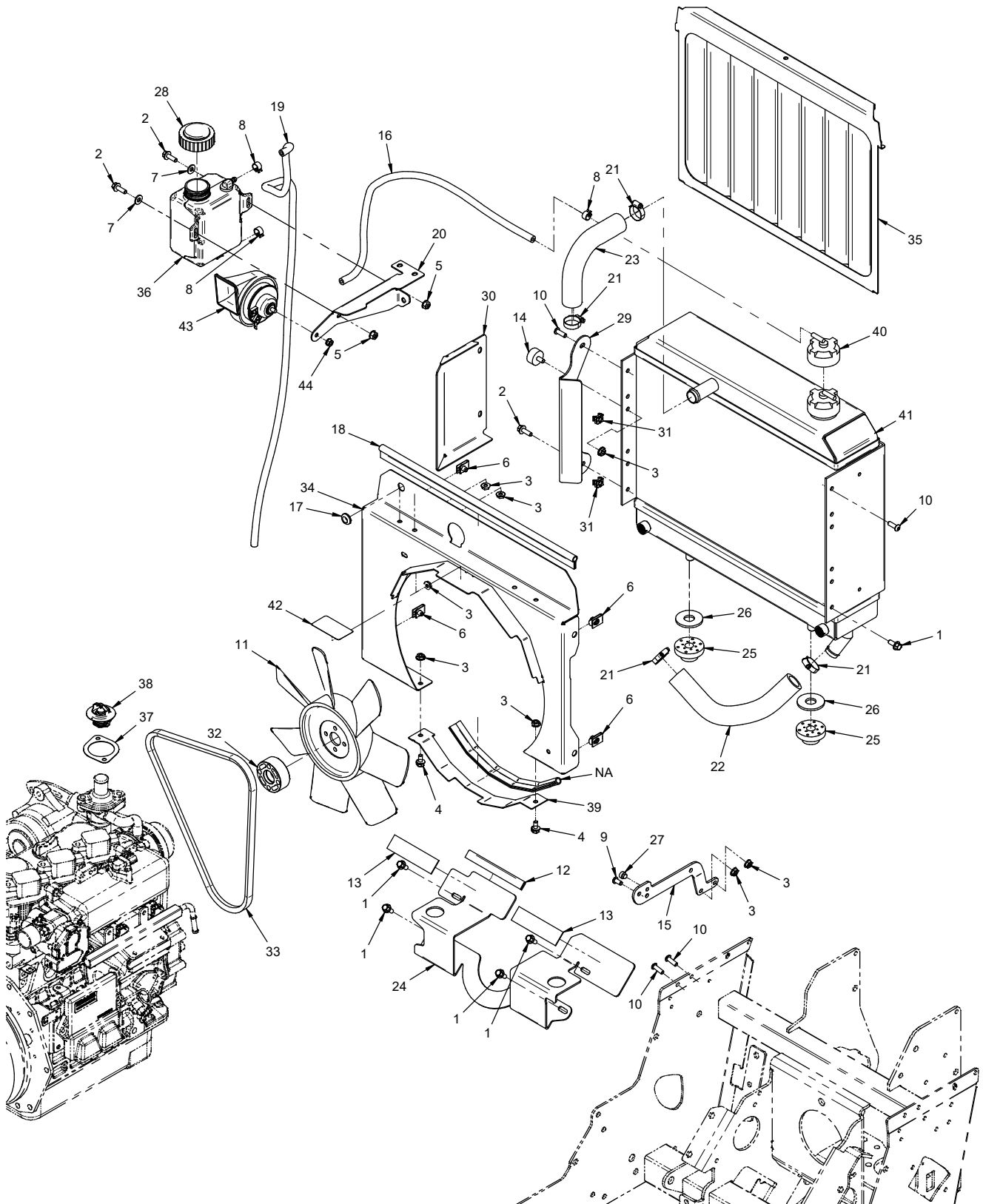
45RC Kubota Gas Muffler

REF.	PART NO.	DESCRIPTION	QTY.
1	99.SF0506-1	Bolt, SMF 5/16-18 USS x 3/4	5
2	99.SF0508-1	Bolt, SMF 5/16-18 x 1	1
3	99.E0102	Nut, Locking Flange 5/16-18	6
4	95.05	Washer, Flat 5/16 SAE	1
5	99.E0101	Nut, Locking Flange 1/4-20	7
6	99.SF0504-1	Bolt, SMF 5/16-18 USS x 1/2	1
7	99.A05	Locknut, Stover 5/16-18 USS	1
8	99.M0009	Bolt, M8 X 1.25 P X 25MM	1
9	99.M0037	Washer, M8 Spring Lock 316 SS	40
10	99.M0035	Nut, M8 x 1.25MM 316 Stainless	10
11	99.M0034	Bolt, M8 X 1.25 X 40MM	10
12	99.M0036	Washer, M6 Spring Lock 316 SS	4
13	99.M0039*	Bolt, M6 X 1.00 X 10MM	4
14	13.EG815-12240	Sensor, O2	2
15	13.EG821-12210	Converter, Catalytic	1
16	99.M0076	Bolt, M8 x 1.25 x 12MM SS	1
17	KN-1428	Shield, Exhaust Tube	1
18	KN-1431	Brace, Muffler Support	1
19	KN-1432	Shield, Exhaust Manifold Top	1
20	KN-1449	Washer, Lock Tab	3
21	KN-6064	Shield, Exhaust Manifold Bottom	1
22	KN-6065	Shield, Engine Exhaust	1
23	KN-6066	Shield, Catalytic Conv. Outer	1
24	KN-6068	Muffler, Kubota WG972 EFI	1
25	KN-6069	Tube, Exhaust 90 Elbow	1
26	99.SF0405-1	Bolt, SMF 1/4-20 X 5/8	8
27	99.SF04	Nut, SRF 1/4-20 USS	1
28	13.EG821-12230	Gasket, Muffler	3
29	KN-1437	Shield, Muffler	1

*Apply VC-3;(Part # 15.0046), threadlocking compound to threads.

ENGINE

ILLUSTRATED DRAWING 45RC Kubota Gas Cooling System



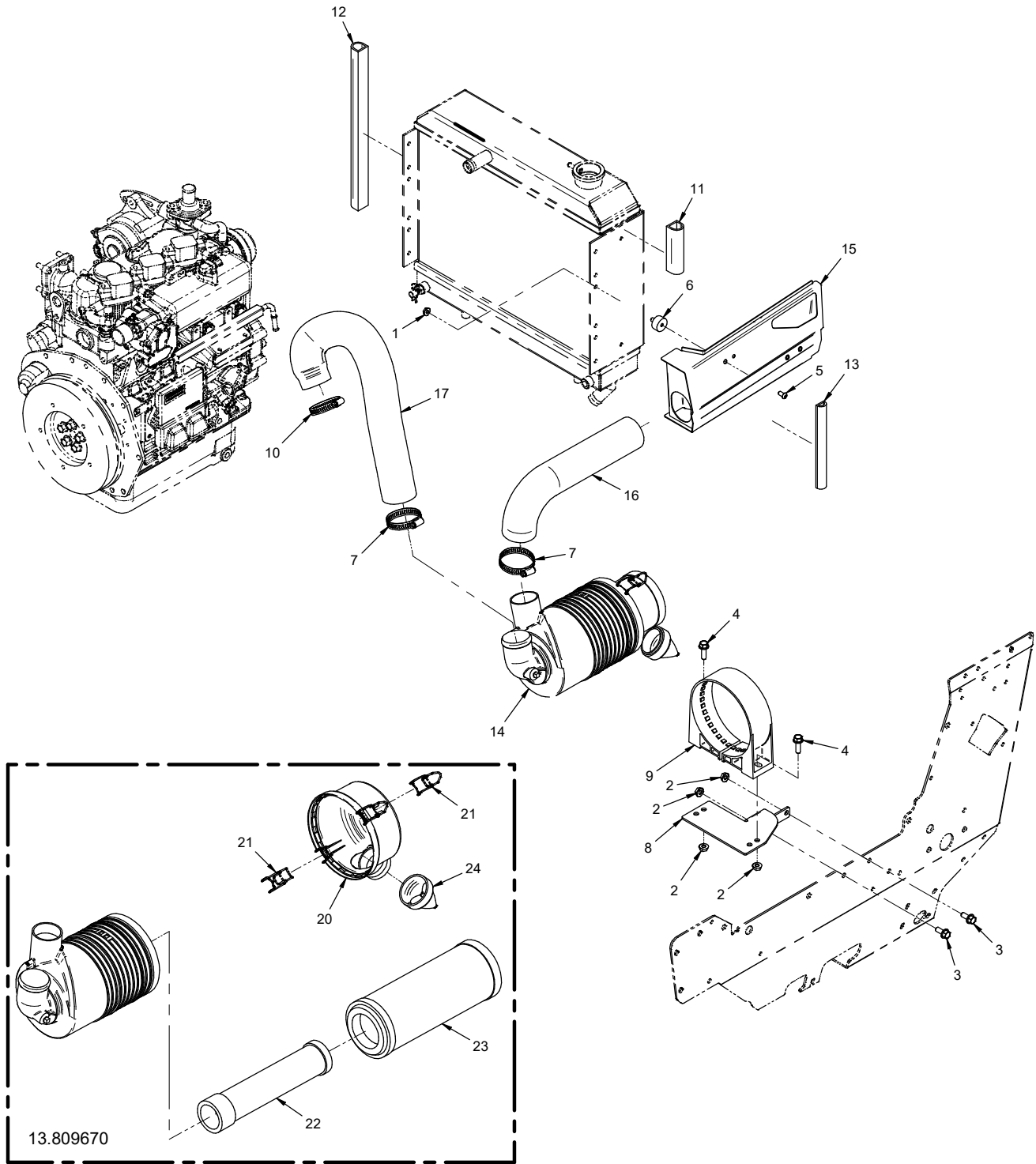
ENGINE

45RC Kubota Gas Cooling System

REF.	PART NO.	DESCRIPTION	QTY.
1	99.SF0405-1	.Bolt, SMF 1/4-20 X 5/8.	5
2	99.SF0406-1	.Bolt, SMF 1/4-20 X 3/4.	3
3	99.SF04	.Nut, SRF 1/4-20 USS	8
4	99.SF0404-1	.Bolt, SMF 1/4-20 X 1/2.	2
5	99.E0101	.Nut, Locking Flange 1/4-20	2
6	99.E0046	.Nut, "U" 1/4-20 Extruded	4
7	95.04	.Washer, Flat 1/4 SAE	2
8	11.0049	.Clamp, Hose Band 1/2" OD Hose	3
9	99.0404	.Bolt, 1/4-20 x 1/2 BSCS	1
10	99.0406	.Bolt, 1/4-20 x 3/4 BSCS	4
11	13.17525-74111	.Fan, Cooling 310MM Suction	1
12	06.0042-5IN	.Trim, Trim Loc 1/2 x 1/16 x 5"	1
13	06.0065-5IN	.Velcro, Loop 1" Black x 5"	2
14	05.0135	.Isolator, 1/4-20 x 1/2 x 1" F/M	1
15	64.1629	.Bracket, Radiator Mount Right	1
16	27.F04-21IN	.Hose, Neop Black 1/4 x 7/16 x 21"	1
17	05.0136	.Grommet, 7/16ID, 3/4OD, 1/4Thk	1
18	06.0043-17.5IN	.Trim, 7/16" Bulb Seal Top 1/16T x 17-1/2"	1
19	27.F04-36IN	.Hose, Fuel Line x 1/4 x 36"	1
20	GR-1179	.Bracket, Coolant Recovery Tank	1
21	11.0052	.Clamp, Hose SS 13/16 To 1-1/2	4
22	13.0263	.Hose, Radiator Lower Kubota	1
23	13.0262	.Hose, Radiator Upper Kubota	1
24	KN-1237	.Bracket, Radiator Mount Bottom	1
25	05.0107	.Isolator, 9/16 ID X 1-29/32 OD.	2
26	94.10	.Washer, Flat 5/8 USS	2
27	05.0120	.Bumper, Neoprene 10 Ga - 1/4	1
28	47.0319	.Cap, Tank Coolant & Hydraulic Oil	1
29	KN-1447	.Bracket, Airflow Baffle Mount	1
30	KN-1448	.Baffle, Airflow Right	1
31	99.E0146	.Nut, Cage 1/4-20 (.093 - .126")	2
32	003224	.Collar, Fan	1
33	13.17472-97010	.V Belt, FM35.0 In	1
34	KN-6012	.Shroud, Radiator - 47.0302	1
35	64.1620	.Screen, Radiator - 47.0302	1
36	47.0317	.Tank, Coolant Recovery	1
37	13.16221-73270	.Gasket, Thermostat	1
38	13.15321-73016	.Thermostat, 180°F Kubota	1
39	64.1622	.Bracket, Radiator Shroud	1
40	47.0516	.Cap, Radiator 14#, Plastic	1
41	47.0515	.RADIATOR, KN KUBOTA	1
42	00.0638	.Decal, Fan Blade Hazard	1
43	33.0019	.Horn, Low Tone	1
44	99.M0029	.Nut, M6 x 1.0 W/Lock Washer	1

ENGINE

ILLUSTRATED DRAWING 45RC Kubota Gas Air Intake



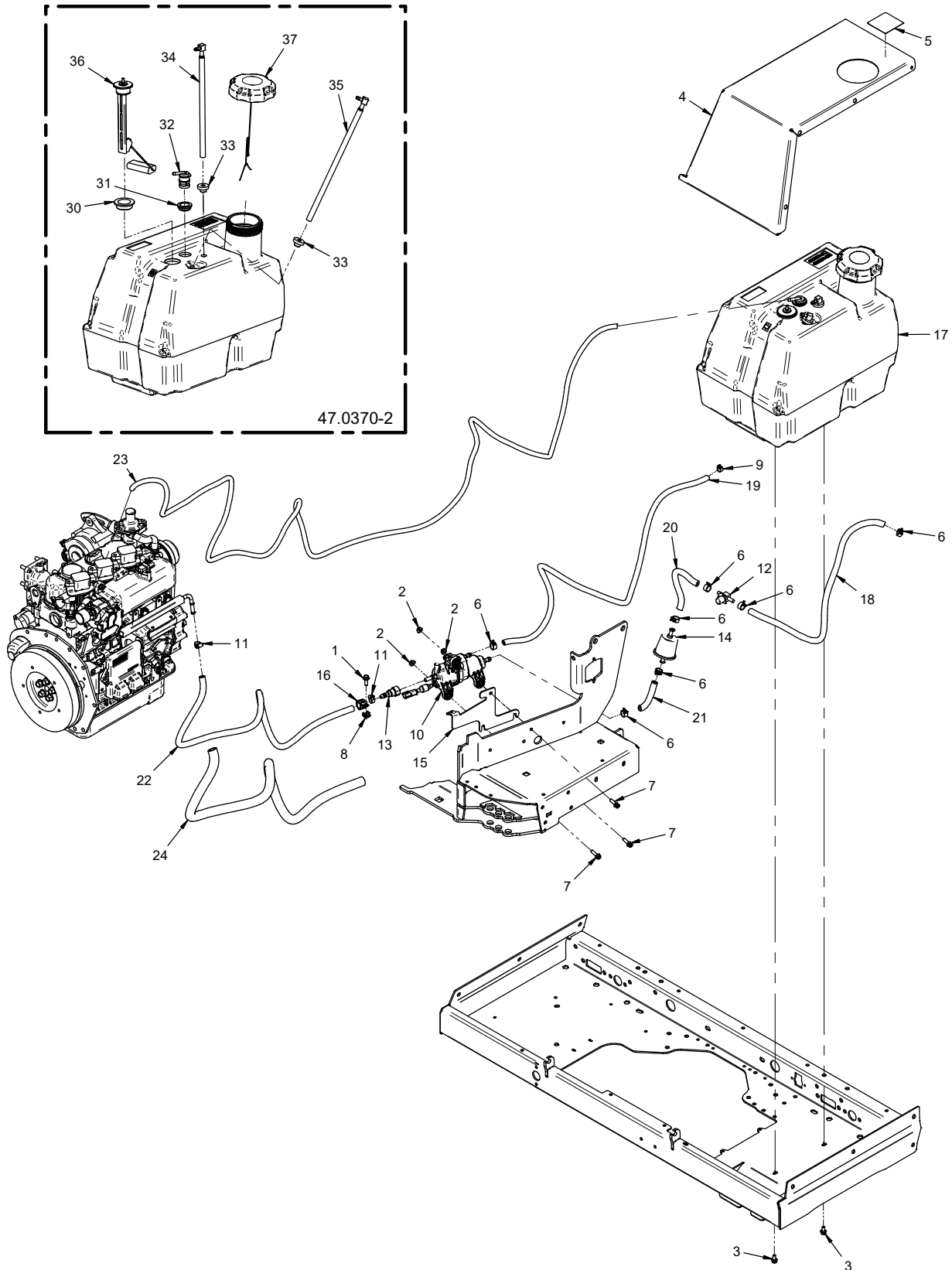
ENGINE

45RC Kubota Gas Air Intake

REF.	PART NO.	DESCRIPTION	QTY.
1	99.SF04	Nut, SRF 1/4-20 USS	1
2	99.SF05	Nut, SRF 5/16-18 USS	4
3	99.SF0506-1	Bolt, SMF 5/16-18 USS x 3/4	2
4	99.SF0508-1	Bolt, SMF 5/16-18 x 1	2
5	99.0404	Bolt, 1/4-20 x 1/2 BSCS	1
6	05.0135	Isolator, 1/4-20 x 1/2 x 1" F/M	1
7	11.0044	Clamp, Hose SS 1-9/16 To 2-1/2	2
8	64.1643	Bracket, Air Filter Mount	1
9	13.0231	Clamp, Air Filter 5" Plastic	1
10	11.0043	Clamp, Hose SS 1-5/16 To 2-1/4	1
11	06.0064-3.75IN	Weatherstrip, 1 X 1 D Shape	1
12	06.0064-13.5IN	Weatherstrip, 1 X 1 D Shape	1
13	06.0092-7IN	Weatherstrip, 3/4 X 1/2 D Shape	1
14	13.809670	Cleaner, Air Asm	1
15	KN-6088	Baffle, Air Inlet	1
16	14.0026-5	Hose, Air Cleaner	1
17	KN-1440	Hose, Intake KN EFI	1
20	13.533761	Cover Assembly W/ Latches	1
21	13.538928	Latch	2
22	13.0061	Filter, Air-Element Safety	1
23	13.0060	Filter, Air-Element Primary	1
24	13.522958	Valve, Drain	1

ENGINE

ILLUSTRATED DRAWING 45RC Kubota Gas Fuel System



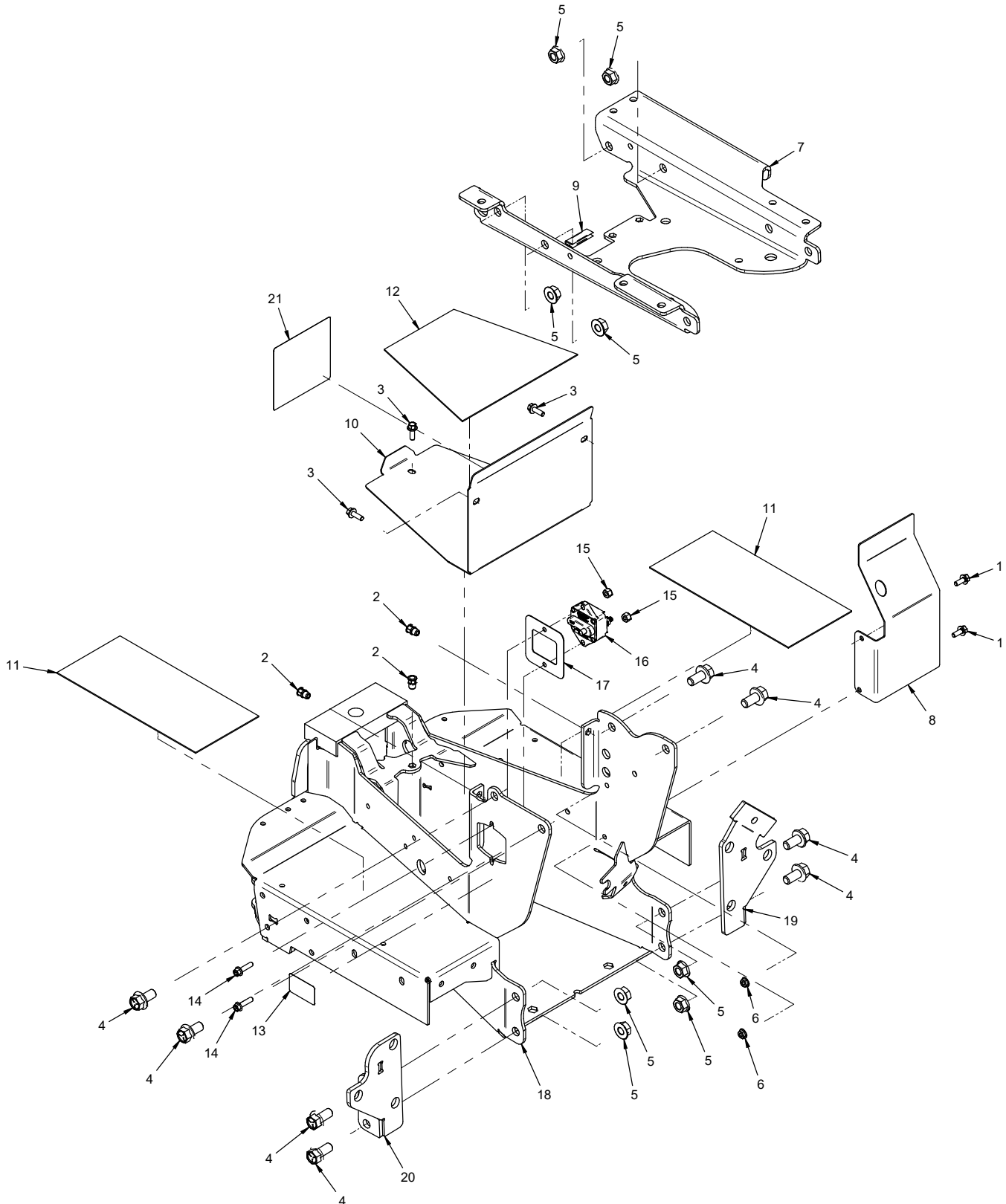
ENGINE

45RC Kubota Gas Fuel System

REF.	PART NO.	DESCRIPTION	QTY.
1	99.SF0406-1	Bolt, SMF 1/4-20 X 3/4	1
2	99.SF04	Nut, SRF 1/4-20 USS	3
3	99.SF0404-1	Bolt, SMF 1/4-20 X 1/2	2
4	KN-1205	Cover, Fuel Tank Main	1
5	00.0457	Decal, Gasoline Safety	1
6	11.0048	Clamp, Hose Band 9/16" OD Hose	7
7	99.SF0408-1	Bolt, SMF 1/4-20 x 1	3
8	99.E0146	Nut, Cage 1/4-20 (.093 - .126")	1
9	11.0049	Clamp, Hose Band 1/2" OD Hose	1
10	13.EG821-52021	Pump, Fuel Kubota Gas	1
11	11.0038	Clamp, Hose SS 7/32 To 5/8	2
12	47.0328	Valve, Fuel Shut Off 5/16"	1
13	29.0128	Fitting, Fuel Line Quick Connector	1
14	13.0053	Filter, Fuel - In Line 5/16"	1
15	KN-1569	Plate, Fuel Line Retainer	1
16	11.0097	Clamp, Cushion 5/8"	1
17	47.0370-2	Tank, Asm 4500 Gas w/Return	1
18	27.F05-1	Hose, Fuel Line 5/16" Low Perm	1
19	27.F04-1-43IN	Hose, Fuel Line 1/4" Low Perm	1
20	27.F05-1-12IN	Hose, Fuel Line 5/16" Low Perm	1
21	27.F05-1	Hose, Fuel Line 5/16" Low Perm	1
22	27.F05-1-44IN	Hose, Fuel Line 5/16" Low Perm	1
23	27.F03-108IN	Hose, Fuel Line x 3/16 /ft	1
24	56.0070-44IN	Sleeve, Aluminum Reflective 5/8" Dia.	1
30	05.0134	Grommet, Fuel Tank Sender	1
31	05.0162	Grommet, Fuel Vent Valve	1
32	29.0100	Valve, Fuel Vent	1
33	05.0133	Grommet, Tank Fitting	2
34	29.0096	Fitting, Tank 1/4, Return	1
35	29.0097	Fitting, Tank 5/16 Withdraw	1
36	35.0120	Sending Unit, Fuel	1
37	47.0309	Cap, Fuel 3-1/2" Unvented	1

FRAMES / SHEET METAL

ILLUSTRATED DRAWING Lower Rear Frame



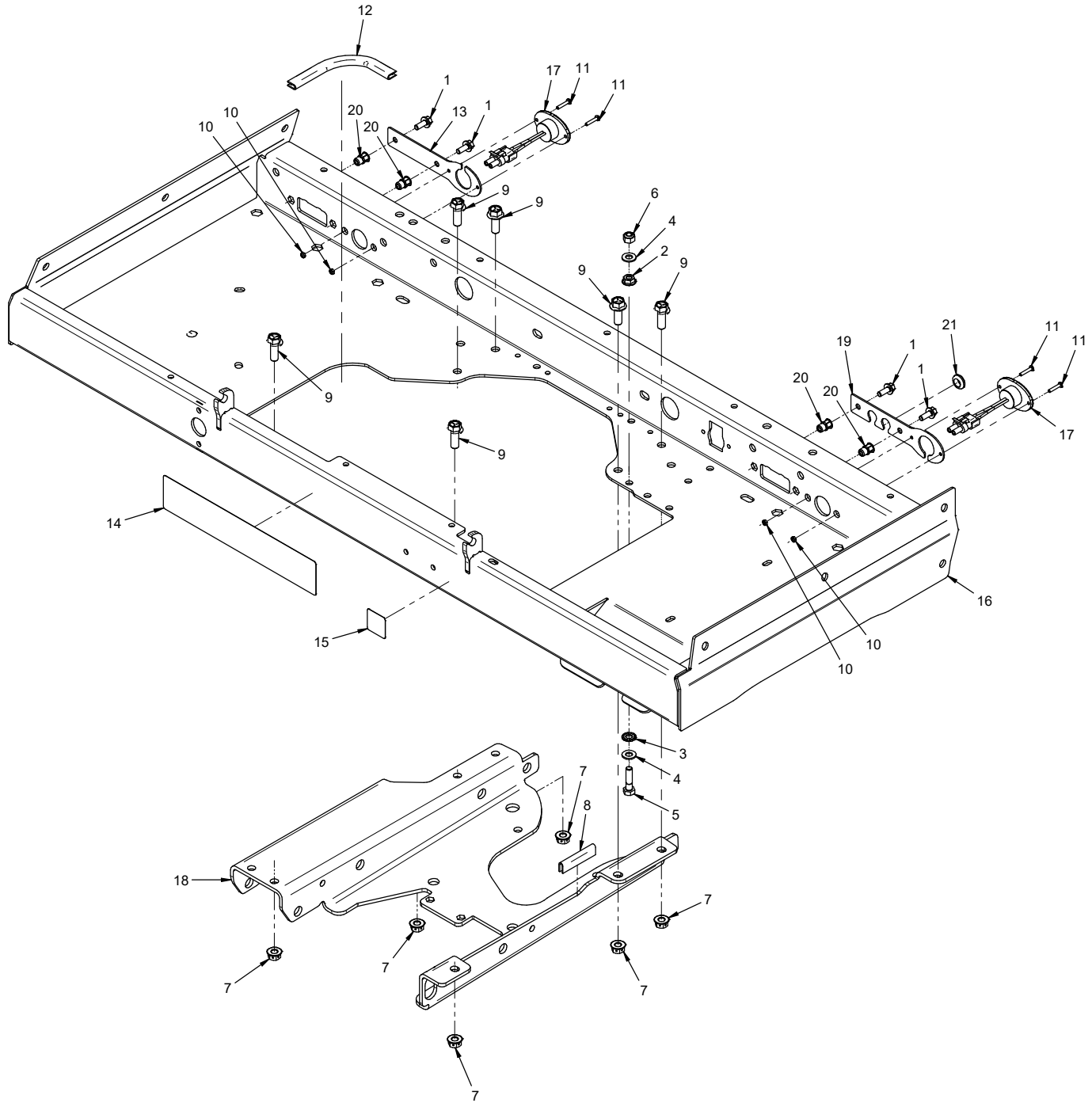
FRAMES / SHEET METAL

Lower Rear Frame

REF.	PART NO.	DESCRIPTION	QTY.
1	99.SF0405-1	.Bolt, SMF 1/4-20 X 5/8.	2
2	99.E0105	.Nut, Insert 1/4-20 Hex	3
3	99.SF0406-1	.Bolt, SMF 1/4-20 X 3/4.	3
4	99.SF0808-1	.Bolt, SMF 1/2-13 x 1	8
5	99.SF08	.Nut, SRF 1/2-13 USS	8
6	99.SF04	.Nut, SRF 1/4-20 USS	2
7	KN-1484	.Frame, Rear Upper	1
8	KN-1253	.Panel, Foot Platform Right.	1
9	06.0050-1.625IN	.Trim, Trim Loc 1/2 x 3/16 x 1-5/8"L	1
10	KN-1470	.Cover, Rear Lower Frame	1
11	44.0331	.Flex Tread, Foot Platform KN	2
12	44.0220	.Flex Tread, Tunnel Cover	1
13	00.0447	.Decal, Battery Disconnect	1
14	99.SF0408-1	.Bolt, SMF 1/4-20 x 1	2
15	99.A04N	.Locknut, Nylon 1/4-20	2
16	30.0501	.Breaker, Circuit 150A	1
17	KN-1515	.Plate, Circuit Breaker Filler	1
18	GR-6013	.Frame, Rear Lower, 45RC	1
19	KN-6025	.Bracket, Transaxle Mount Right	1
20	64.1594	.Bracket, Transaxle Mount Left	1
21	00.0793	.Decal, Slope Warning 45RC	1

FRAMES / SHEET METAL

ILLUSTRATED DRAWING Seat Box & Upper Rear Frame



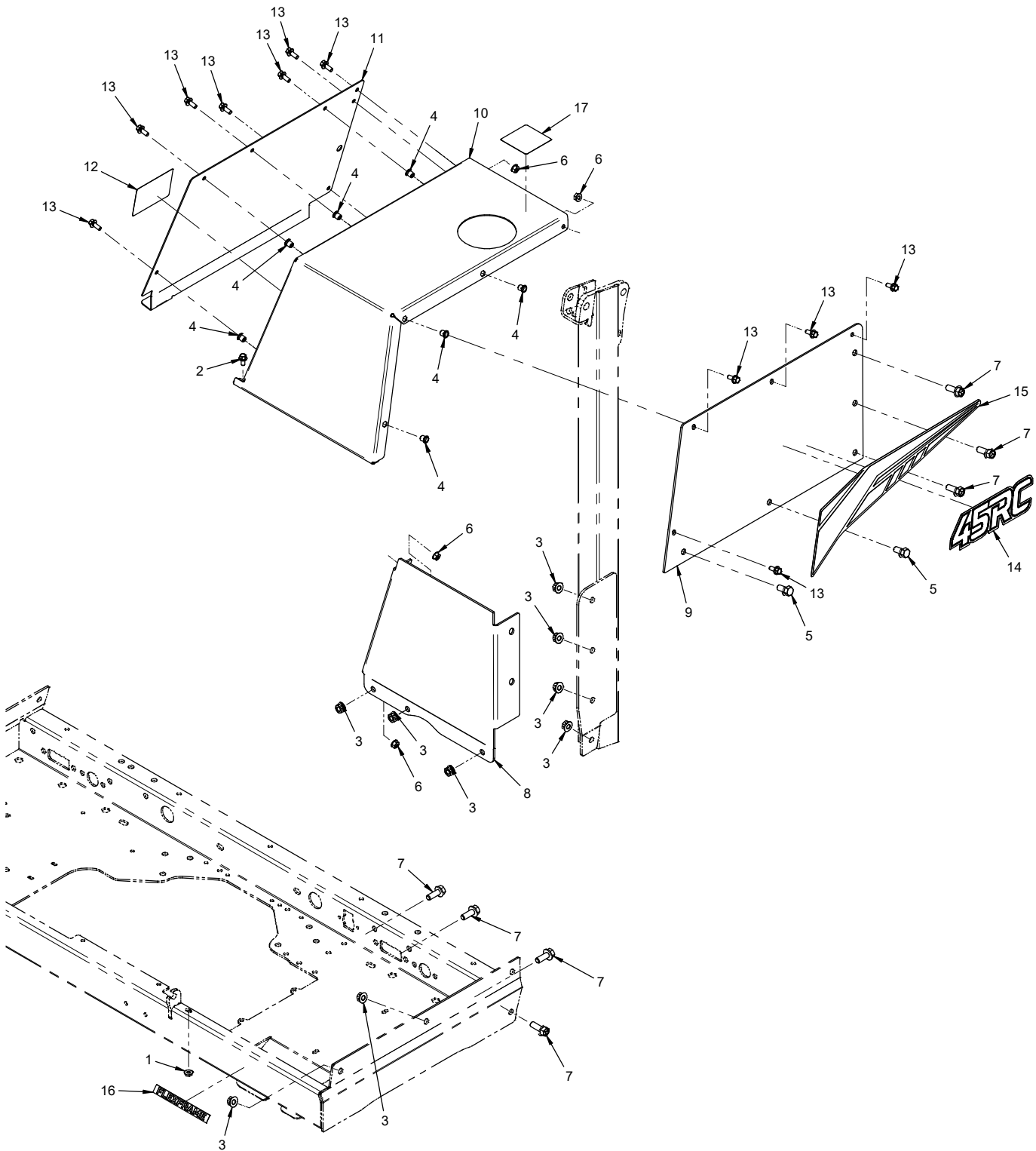
FRAMES / SHEET METAL

Seat Box & Upper Rear Frame

REF.	PART NO.	DESCRIPTION	QTY.
1	99.SF0405-1	.Bolt, SMF 1/4-20 X 5/8.	4
2	99.SF05	.Nut, SRF 5/16-18 USS	1
3	99.G0003	.Washer, Star-External 5/16	1
4	95.05	.Washer, Flat 5/16 SAE	2
5	90.0510	.Bolt, 5/16-18 USS x 1-1/4	1
6	99.A05N	.Locknut, Nylon 5/16-18 USS	1
7	99.E0082	.Nut, Locking Flange 3/8-16	6
8	06.0050-2.25IN	.Trim, Trim Loc 1/2 x 3/16 x 2-1/4"	1
9	99.SF0608-1	.Bolt, SMF 3/8-16 x 1	6
10	99.E0085	.Locknut, Nylon #6-32	4
11	99.K0060	.Machine Screw, #6-32 X 3/4	4
12	06.0050-6IN	.Trim, Trim Loc 1/2 x 3/16 x 6"	1
13	KN-1269	.Cover, Seatbox Blank	1
14	00.0694	.Decal, Safety 4520	1
15	00.0334	.Decal, Fuel On/Off	1
16	GR-6006	.Frame, Seatbox, 45RC	1
17	33.0061	.Light, Marker Red Oval	2
18	KN-1484	.Frame, Rear Upper	1
19	KN-1281	.Cover, Wire Harness Access	1
20	99.E0105	.Nut, Insert 1/4-20 Hex	4
21	05.0136	.Grommet, 7/16ID, 3/4OD, 1/4Thk	1

FRAMES / SHEET METAL

ILLUSTRATED DRAWING Left Seat Box Panels



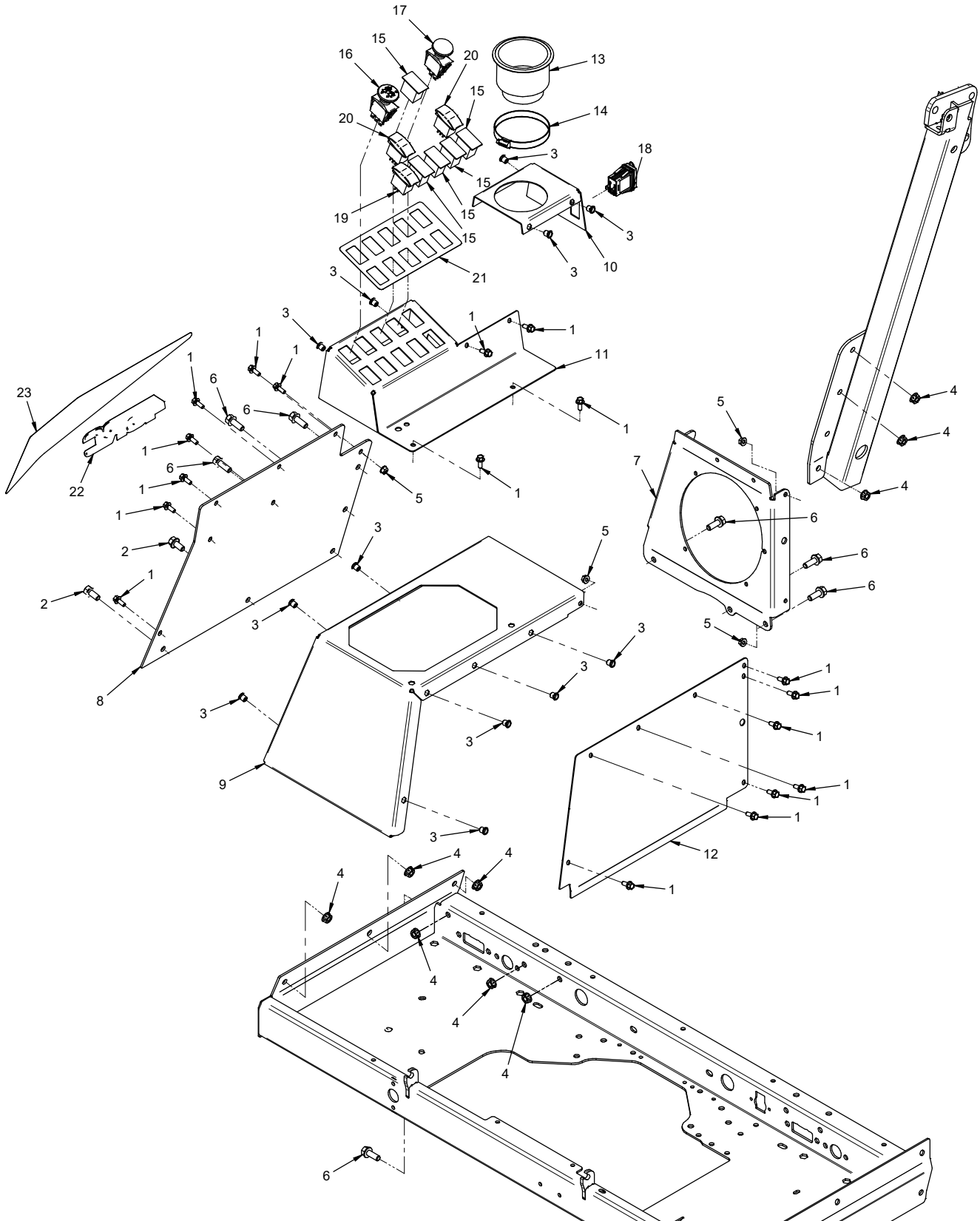
FRAMES / SHEET METAL

Left Seat Box Panels

REF.	PART NO.	DESCRIPTION	QTY.
1	99.SF04	Nut, SRF 1/4-20 USS	1
2	99.SF0404-1	Bolt, SMF 1/4-20 X 1/2	1
3	99.E0082	Nut, Locking Flange 3/8-16	9
4	99.E0158	Nut, Insert 1/4-20 Hex, .027 - .165	7
5	99.SF0606-1	Bolt, SMF 3/8-16 USS x 3/4	2
6	99.E0101	Nut, Locking Flange 1/4-20	4
7	99.SF0608-1	Bolt, SMF 3/8-16 x 1	7
8	KN-1204	Panel, Seatbox Rear Left	1
9	60.1148	Panel, Seatbox Left	1
10	GR-1162	Cover, Fuel Tank Main	1
11	60.1125	Cover, Fuel Tank Inner	1
12	00.0629	Decal, Battery Hazard	1
13	99.SF0405-1	Bolt, SMF 1/4-20 X 5/8	11
14	00.0803	Decal, 45RC	1
15	00.0806	Decal, Rear Fender Left 45RC	1
16	00.0749	Decal, Flex Frame	1
17	00.0457	Decal, Gasoline Safety	1

FRAMES / SHEET METAL

ILLUSTRATED DRAWING Right Seat Box Panels



FRAMES / SHEET METAL

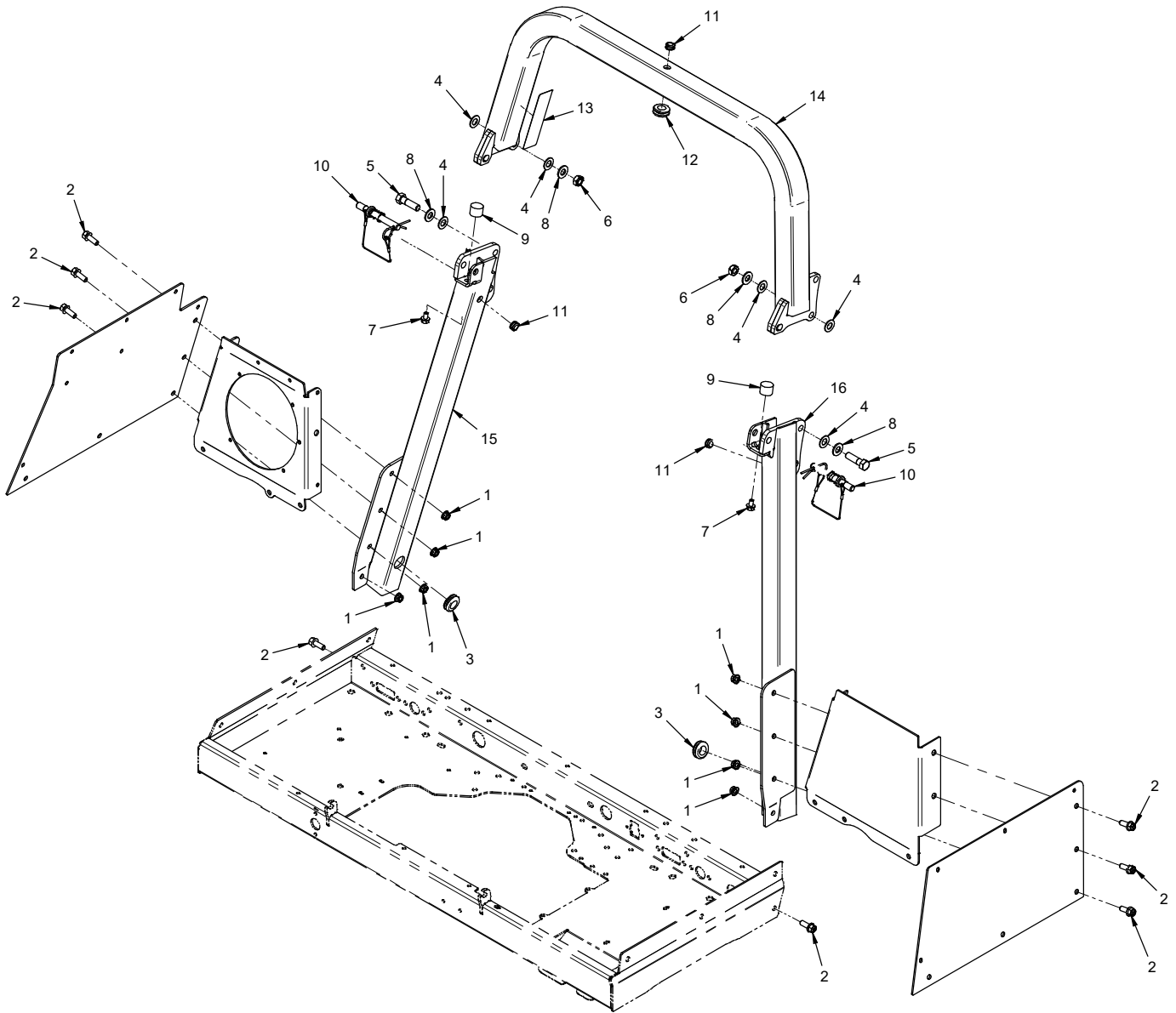
Right Seat Box Panels

REF.	PART NO.	DESCRIPTION	QTY.
1	99.SF0405-1	.Bolt, SMF 1/4-20 X 5/8.	18
2	99.SF0606-1	.Bolt, SMF 3/8-16 USS x 3/4.	2
3	99.E0158	.Nut, Insert 1/4-20 Hex, .027 - .165	12
4	99.E0082	.Nut, Locking Flange 3/8-16	9
5	99.E0101	.Nut, Locking Flange 1/4-20	4
6	99.SF0608-1	.Bolt, SMF 3/8-16 x 1	7
7	KN-1201	.Panel, Seatbox Rear Right	1
8	GR-1165	.Panel, Seatbox Right, 45RC	1
9	GR-1044	.Cover, Seatbox Right.	1
10	GR-1166	.Mount, Cup Holder	1
11	GR-1160	.Panel, Control, 45RC	1
12	GR-1016	.Cover, Seatbox Right Inner	1
13	47.0185	.Holder, Cup 3.586 OD x 3-1/4 DP	1
14	11.0077	.Clamp, Hose 3-1/16 To 4"	1
15	05.0131	.Plug, Switch Otto K5	5
16	31.0043	.Switch, PTO - Push / Pull.	1
17	31.0083	.Switch, Park Brake.	1
18	30.0542	.Receptacle, USB Dual	1
19	31.0056	.Switch, Rocker (On)/Off/(On)	1
20	31.0053	.Switch, Rocker On/Off	2
21	00.0791	.Decal, Control Panel 45RCN.	1
22	00.0803	.Decal, 45RC	1
23	00.0807	.Decal, Rear Fender Right 45RC	1

FRAMES / SHEET METAL

ILLUSTRATED DRAWING

Roll Bar



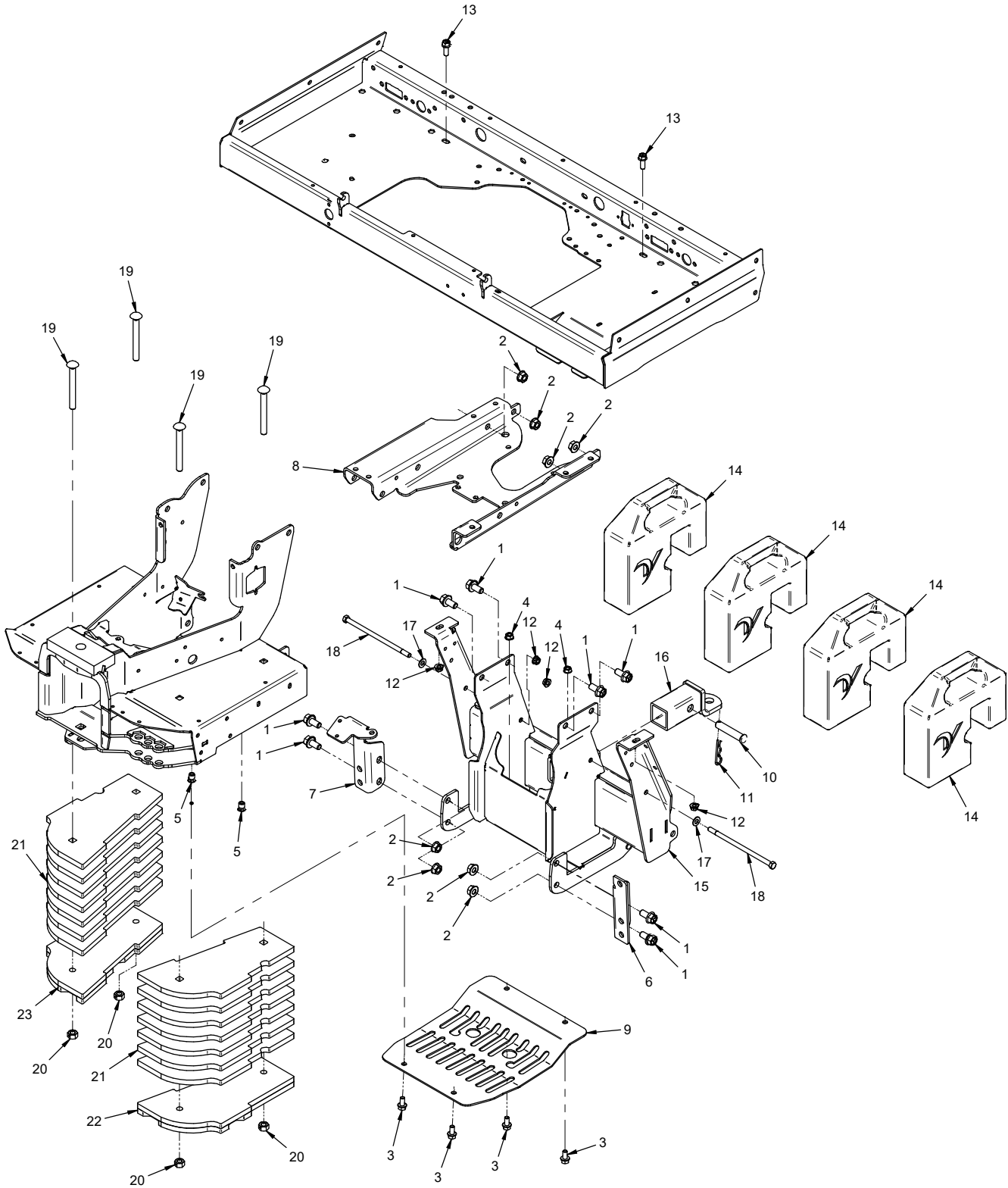
FRAMES / SHEET METAL

Roll Bar

REF.	PART NO.	DESCRIPTION	QTY.
1	99.E0082	Nut, Locking Flange 3/8-16	8
2	99.SF0608-18	Bolt, SMF 3/8-16 x 1 GR8	8
3	05.0045	Grommet, 3/4Id,1 3/8Od,1/2Thk	2
4	05.0145	WASHER, .55ID x 1.03OD x .062T	6
5	90.0814	Bolt, 1/2-13 USS x 1-3/4	2
6	99.A08	Locknut, Stover 1/2-13 USS	2
7	99.SF0504-1	Bolt, SMF 5/16-18 USS x 1/2	2
8	95.08	Washer, Flat 1/2 SAE	4
9	05.0110	Bumper, Neoprene 1" Dia	2
10	03.0037	Pin, Knurled w/Spring & Lanyard	2
11	05.0138	Grommet, 7/16ID, 11/16OD, 3/8T	3
12	05.0196	Grommet, 11/16" ID, 1 5/16" OD, 1/2" Thk	1
13	00.0644	Decal, ROPS 4500/4520	1
14	62.1509	Roll Bar, Fold Down Top	1
15	62.1510	Roll Bar, Fold Down Right	1
16	62.1511	Roll Bar, Fold Down Left	1

FRAMES / SHEET METAL

ILLUSTRATED DRAWING Standard Rear Hitch



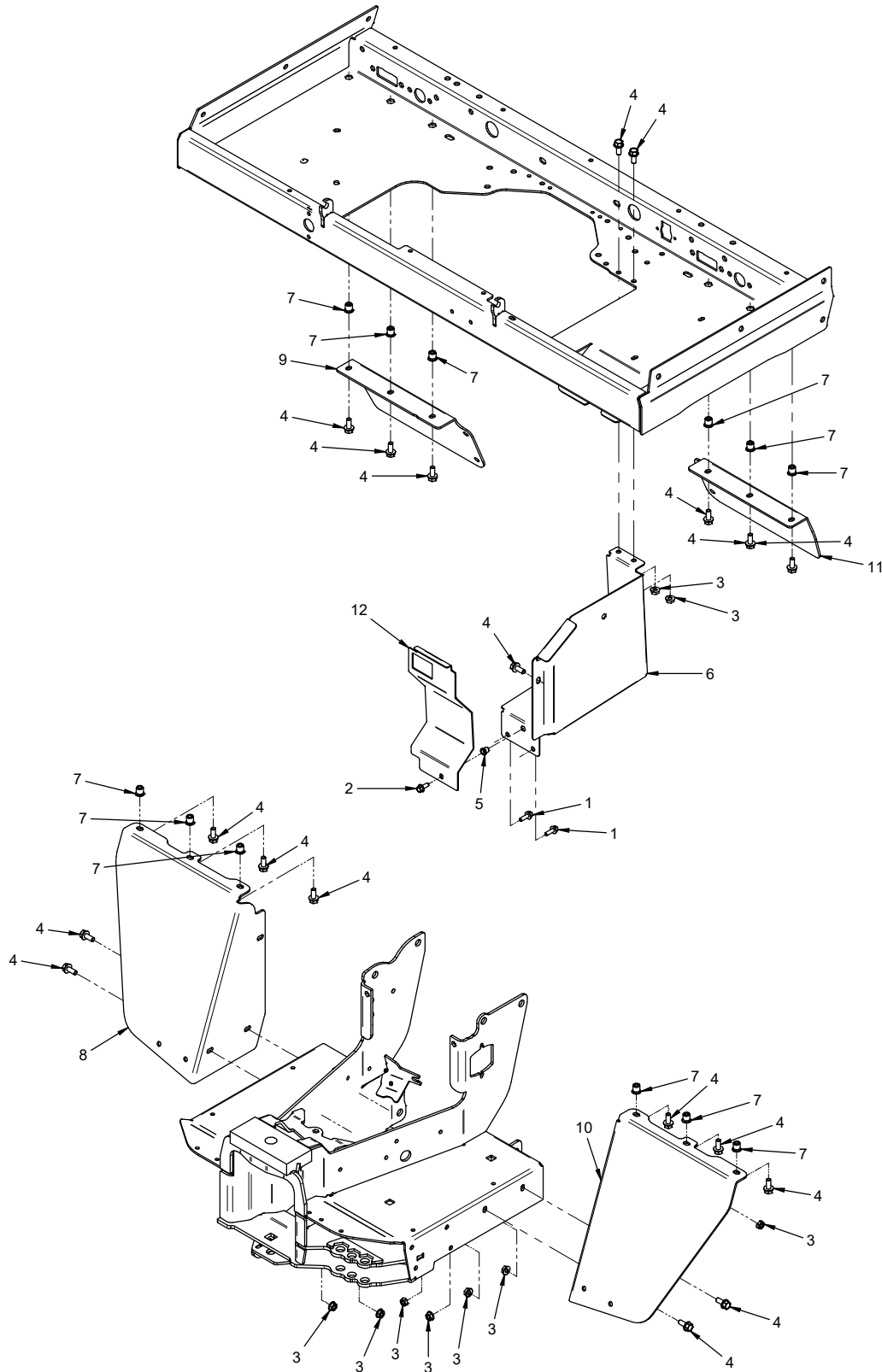
FRAMES / SHEET METAL

Standard Rear Hitch

REF.	PART NO.	DESCRIPTION	QTY.
1	99.SF0808-1	.Bolt, SMF 1/2-13 x 1	8
2	99.SF08	.Nut, SRF 1/2-13 USS	8
3	99.SF0606-1	.Bolt, SMF 3/8-16 USS x 3/4	4
4	99.SF06	.Nut, SRF 3/8-16 USS	2
5	99.E0159	.Nut, Insert 3/8-16 Hex	2
6	GR-1105	.Bracket, Rear Hitch Mt Left, 45RC	1
7	KN-1032	.Bracket, Rear Hitch Mt Right	1
8	KN-1484	.Frame, Rear Upper	1
9	64.1867	.Plate, Rear Axle Skid	1
10	03.1024	.Clevis Pin, 5/8 x 3 Oal ZP	1
11	02.HP0420	.Hairpin, 1/8 x 2 9/16 ZP	1
12	99.E0082	.Nut, Locking Flange 3/8-16	4
13	99.SF0608-1	.Bolt, SMF 3/8-16 x 1	2
14	47.0115-1	.Weight, Suitcase - 42 LBS	4
15	GR-6007	.Frame, Rear Weight Bar/Hitch, 45RC	1
16	62.0968	.Hitch, Rear	1
17	95.06	.Washer, Flat 3/8 SAE	2
18	90.0660	.Bolt, 3/8-16 USS x 7-1/2	2
19	97.0816	.Bolt, Carriage 1/2-13 x 2	4
20	99.A08C	.Locknut, Center 1/2-13	4
21	GR-1205	.Weight, Rear Lower Frame, Square Cutout	14
22	GR-6018	.Weight, Lower Rear Frame, Lt Side	1
23	GR-6017	.Weight, Lower Rear Frame, Rt Side	1

FRAMES / SHEET METAL

ILLUSTRATED DRAWING Rear Fenders & Battery Compartment



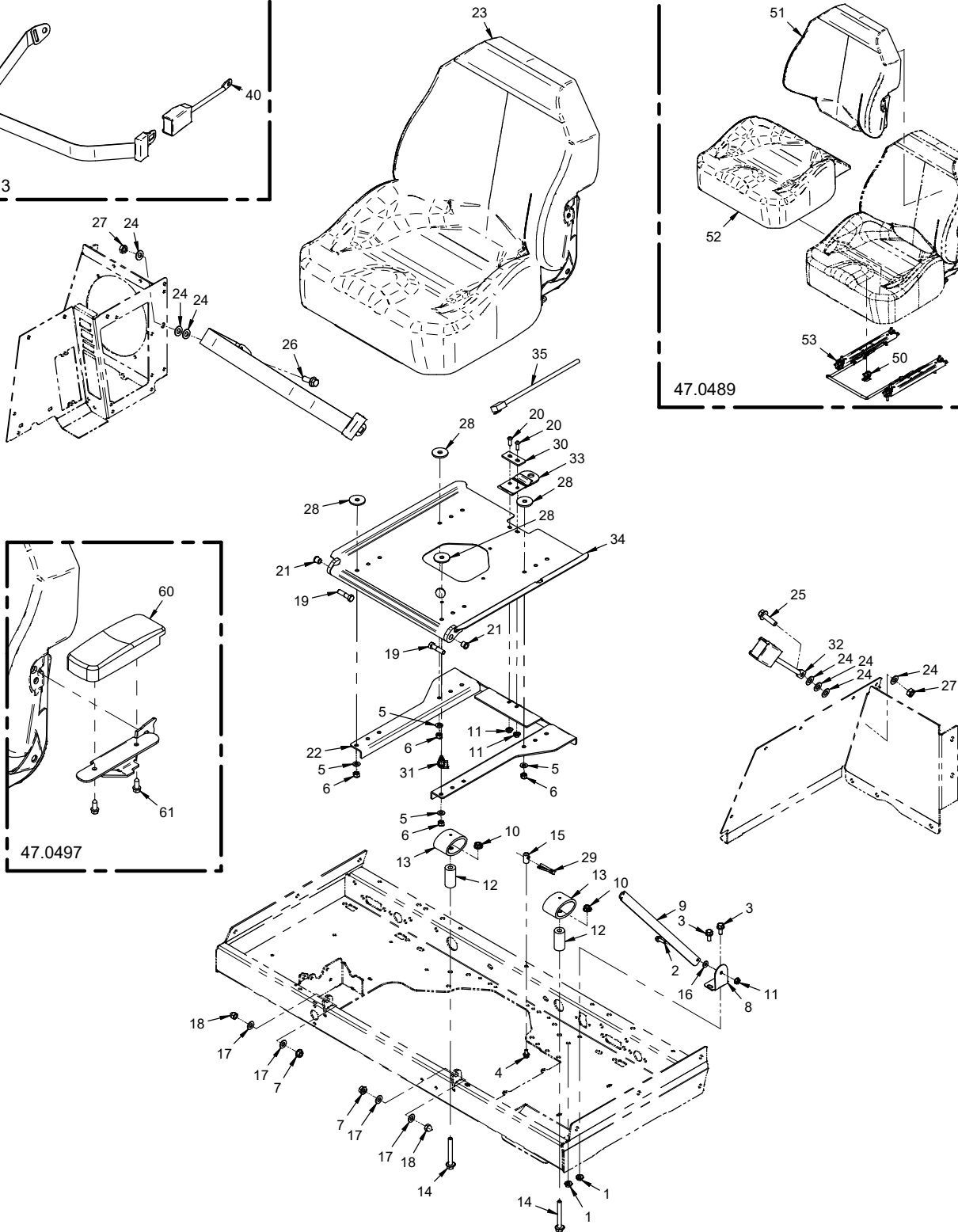
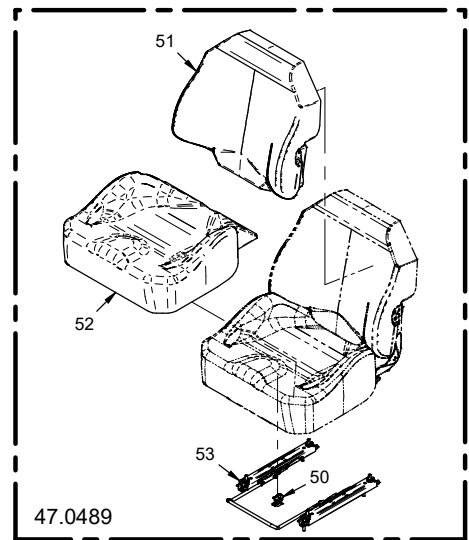
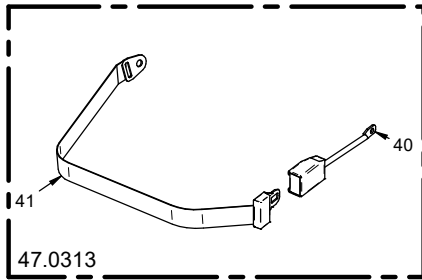
FRAMES / SHEET METAL

Rear Fenders & Battery Compartment

REF.	PART NO.	DESCRIPTION	QTY.
1	99.SF0406-1	Bolt, SMF 1/4-20 X 3/4.	2
2	99.SF0405-1	Bolt, SMF 1/4-20 X 5/8.	1
3	99.SF05	Nut, SRF 5/16-18 USS	9
4	99.SF0506-1	Bolt, SMF 5/16-18 USS x 3/4.	19
5	99.E0158	Nut, Insert 1/4-20 Hex, .027 - .165	1
6	60.1116	Panel, Battery Compartment.	1
7	99.E0155	Nut, Insert 5/16-18 Hex	12
8	KN-1481	Fender, Rear Right.	1
9	KN-1483	Fender, Rear Flap Right	1
10	KN-1480	Fender, Rear Left	1
11	KN-1482	Fender, Rear Flap Left.	1
12	GR-1142	Panel, Foot Platform Left, AGM 340CCA	1

FRAMES / SHEET METAL

ILLUSTRATED DRAWING Standard Seat Assembly



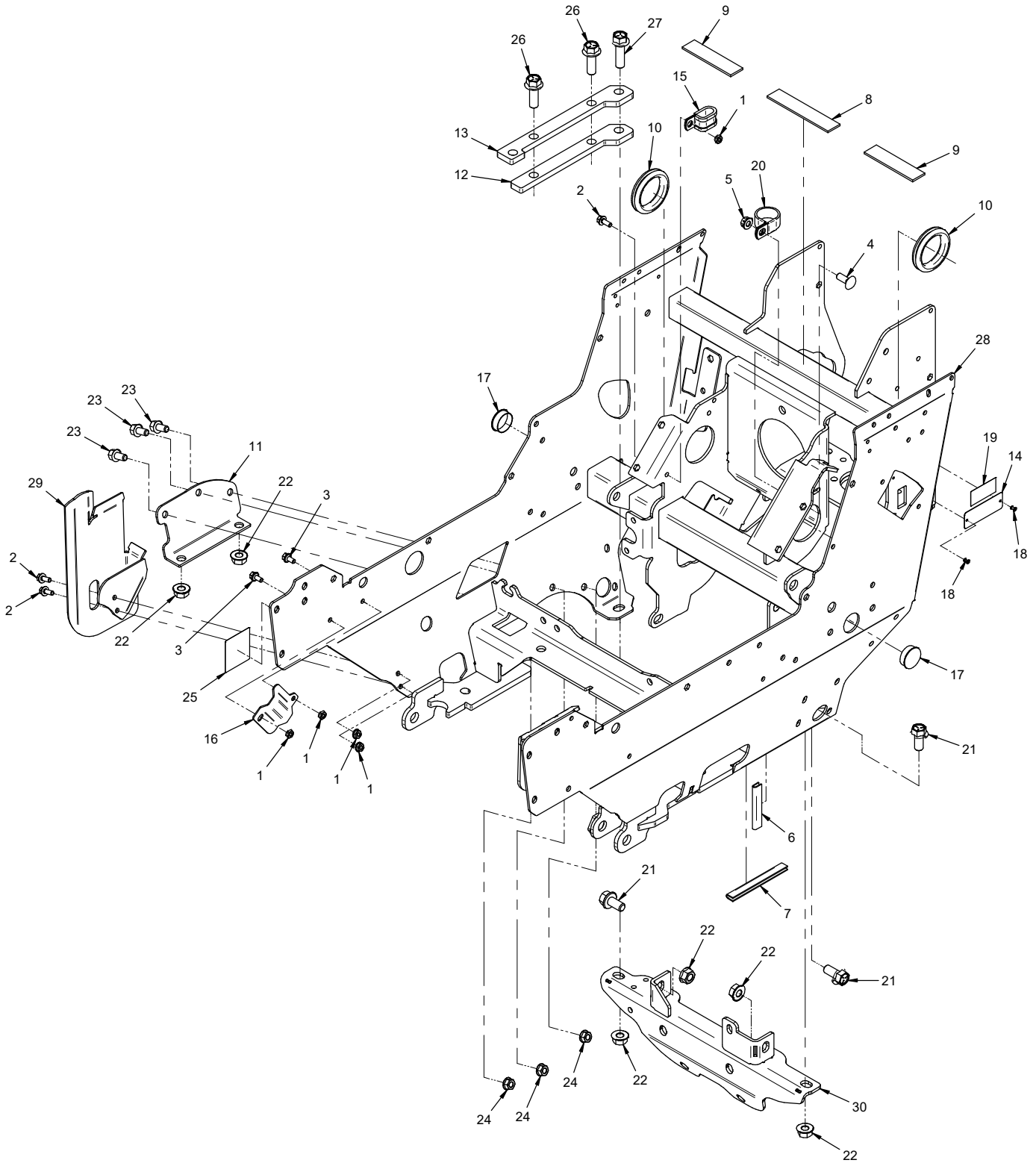
FRAMES / SHEET METAL

Standard Seat Assembly

REF.	PART NO.	DESCRIPTION	QTY.
1	99.SF05	Nut, SRF 5/16-18 USS	2
2	99.SF0406-1	Bolt, SMF 1/4-20 X 3/4	1
3	99.SF0506-1	Bolt, SMF 5/16-18 USS x 3/4	2
4	99.SF0404-1	Bolt, SMF 1/4-20 X 1/2	1
5	95.05	Washer, Flat 5/16 SAE	4
6	99.A05N	Locknut, Nylon 5/16-18 USS	4
7	99.SF06	Nut, SRF 3/8-16 USS	2
8	64.1598	Bracket, Seat Prop	1
9	64.1599	Plate, Seat Prop	1
10	99.E0082	Nut, Locking Flange 3/8-16	2
11	99.E0101	Nut, Locking Flange 1/4-20	3
12	64.1681	Tube, Seat Bumper	2
13	05.0137	Bumper, Elastomer 3.4"	2
14	99.SF0624-1	Bolt, SMF 3/8-16 X 3	2
15	03.0019	Pin, Seat Latch	1
16	95.04	Washer, Flat 1/4 SAE	1
17	95.06	Washer, Flat 3/8 SAE	4
18	99.E0100	Nut, Acorn 3/8-16	2
19	90.0612	Bolt, 3/8-16 USS x 1-1/2	2
20	99.0406	Bolt, 1/4-20 x 3/4 BSCS	2
21	85.B0068	Bushing, 3/8 X 1/2 OD X 1/2 LG	2
22	KN-1147	Plate, Seat Support	1
23	47.0489	Seat, Deluxe High Back	1
24	95.07	Washer, Flat 7/16 SAE	7
25	99.SF0712-1	Bolt, SMF 7/16-14 X 1-1/2	1
26	99.SF0710-1	Bolt, SMF 7/16-14 X 1-1/4	1
27	99.A07	Locknut, Stover 7/16-14 USS	2
28	99.B0076	Washer, .130T x .395ID x 1.5OD	4
29	03.0021	Pin, Linch (3/16)	1
30	64.1723	Clamp, Seat Latch Strap	1
31	30.0135	Clamp, Loom 3/8 Rosebud Mount	1
32	47.0313	Seat Belt, Lap w/Buckle	1
33	47.0335	Strap, Seat Latch	1
34	KN-6036	Mount, Seat	1
35	32.0224	Harness, Wire 4520 Seat	1
40	47.0313-2	Seat Belt, Buckle	1
41	47.0313-1	Seat Belt, Lap Belt	1
50	31.0079	Switch, Seat Delta N/O	1
51	47.0511	Cover, Back V Logo	1
52	47.0512	Cover, Seat Cushion	1
53	47.0513	Rail Set, Slide Adjustment	1
60	47.0497	Armrest, Kit - Deluxe Seat 4520	1
61	47.0529	Screw, Self Tapping	1

FRAMES / SHEET METAL

ILLUSTRATED DRAWING Front Frame, Frame Connector Bracket, Hose Retainer



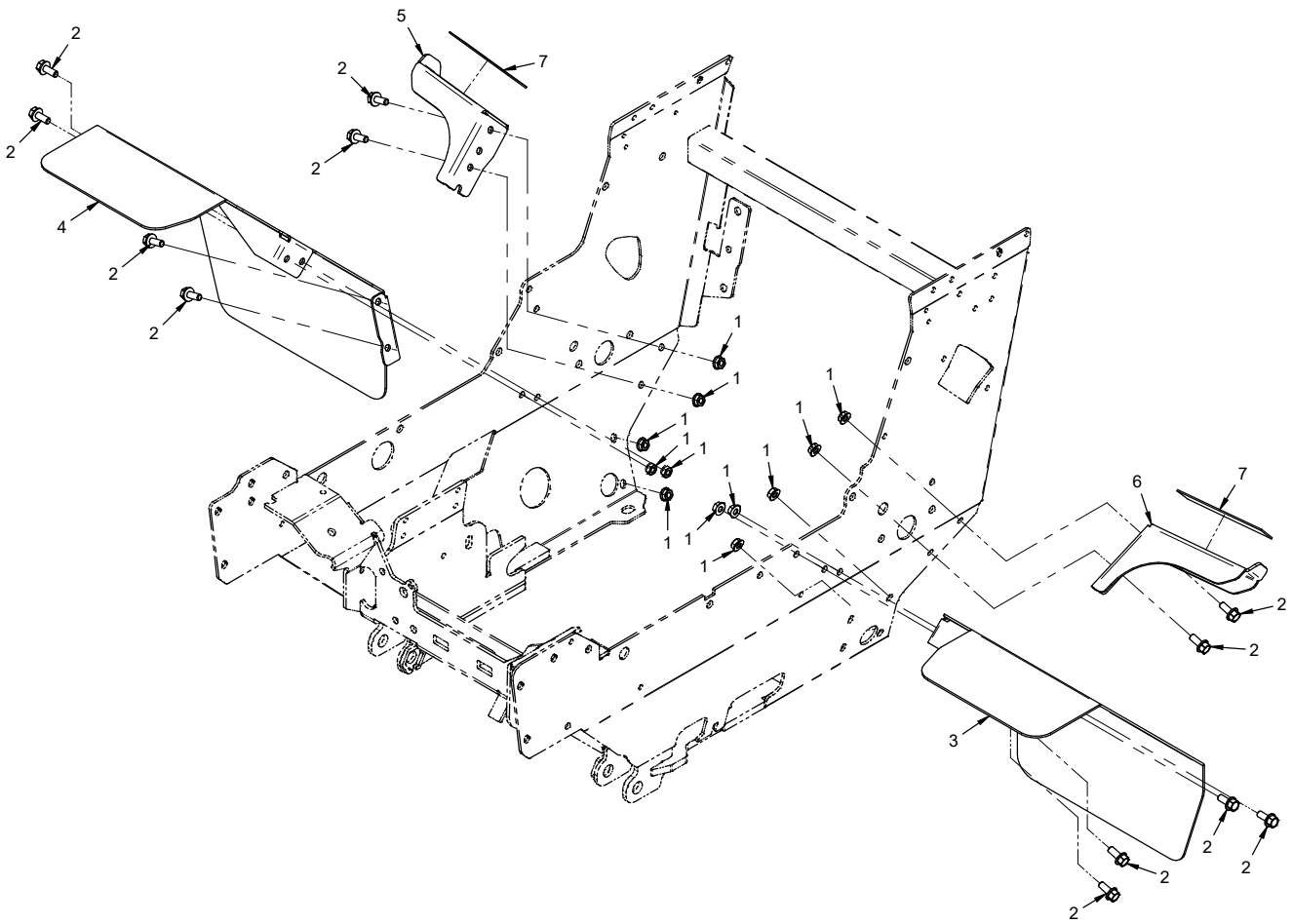
FRAMES / SHEET METAL

Front Frame, Frame Connector Bracket, Hose Retainer

REF.	PART NO.	DESCRIPTION	QTY.
1	99.SF04	Nut, SRF 1/4-20 USS	5
2	99.SF0405-1	Bolt, SMF 1/4-20 X 5/8	3
3	99.SF0404-1	Bolt, SMF 1/4-20 X 1/2	2
4	97.0608	Bolt, Carriage 3/8-16 x 1	1
5	99.E0082	Nut, Locking Flange 3/8-16	1
6	06.0050-3IN	Trim, Trim Loc 1/2 x 3/16 x 3"	1
7	06.0050-4.5IN	Trim, Trim Loc 1/2 x 3/16 x 4-1/2"	1
8	06.0065-5.5IN	Velcro, Loop 1" Black x 5-1/2"	1
9	06.0065-4IN	Velcro, Loop 1" Black x 4"	2
10	05.0073	Grommet, 2 ID, 2-3/4 OD 9/16 T	2
11	GR-1145	Cover, Brake	1
12	GR-1143	Plate, Brake Cover Spacer	1
13	GR-1149	Plate, Axle To Frame Tie Bar	1
14	N/A	Plate, Ventrac Serial Number	1
15	11.0046	Clamp, Cushioned 1/2" 2-Tube	1
16	64.1729	Retainer, Wire Loom	1
17	05.0091	Plug, for 1-1/4 Panel Hole	2
18	04.0029	Rivet, Pop 1/8" X 1/4" SS	2
19	00.0770	Decal, Built In The Usa	1
20	44.0418	Clamp, 1-1/4" Loop Vinyl Cushion	1
21	99.SF0808-1	Bolt, SMF 1/2-13 x 1	3
22	99.SF08	Nut, SRF 1/2-13 USS	6
23	99.SF0606-1	Bolt, SMF 3/8-16 USS x 3/4	3
24	99.SF06	Nut, SRF 3/8-16 USS	3
25	00.0319	Decal, PTO Tension	1
26	99.SF0812-1	Bolt, SMF 1/2-13 x 1-1/2	3
27	99.SF0814-1	Bolt, SMF 1/2-13 X 1-1/2	1
28	GR-6004	Frame, Main Front, 45RC	1
29	KN-6038	Bracket, Hose Retainer	1
30	KN-6013	Bracket, Connector Frame MT	1

FRAMES / SHEET METAL

ILLUSTRATED DRAWING Front Fenders & Foot Pegs



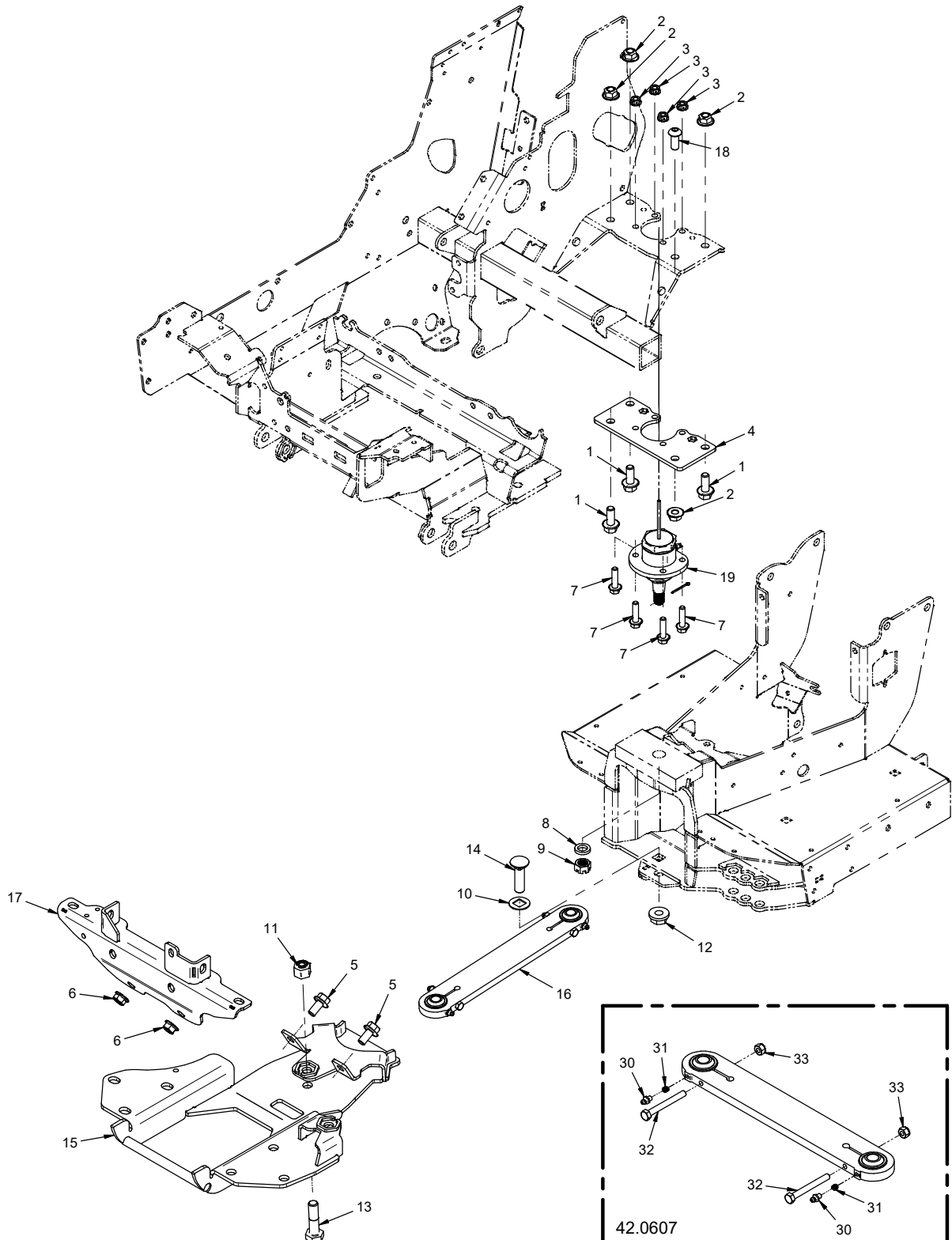
FRAMES / SHEET METAL

Front Fenders & Foot Pegs

REF.	PART NO.	DESCRIPTION	QTY.
1	99.SF05	Nut, SRF 5/16-18 USS	12
2	99.SF0506-1	Bolt, SMF 5/16-18 USS X 3/4.	12
3	60.1133	Fender, Front Left	1
4	60.1134	Fender, Front Right	1
5	64.1707	Foot Peg, Right	1
6	64.1708	Foot Peg, Left	1
7	44.0330	Flex Tread, Foot Peg KN	2

FRAMES / SHEET METAL

ILLUSTRATED DRAWING Center Pivot & Connector Link



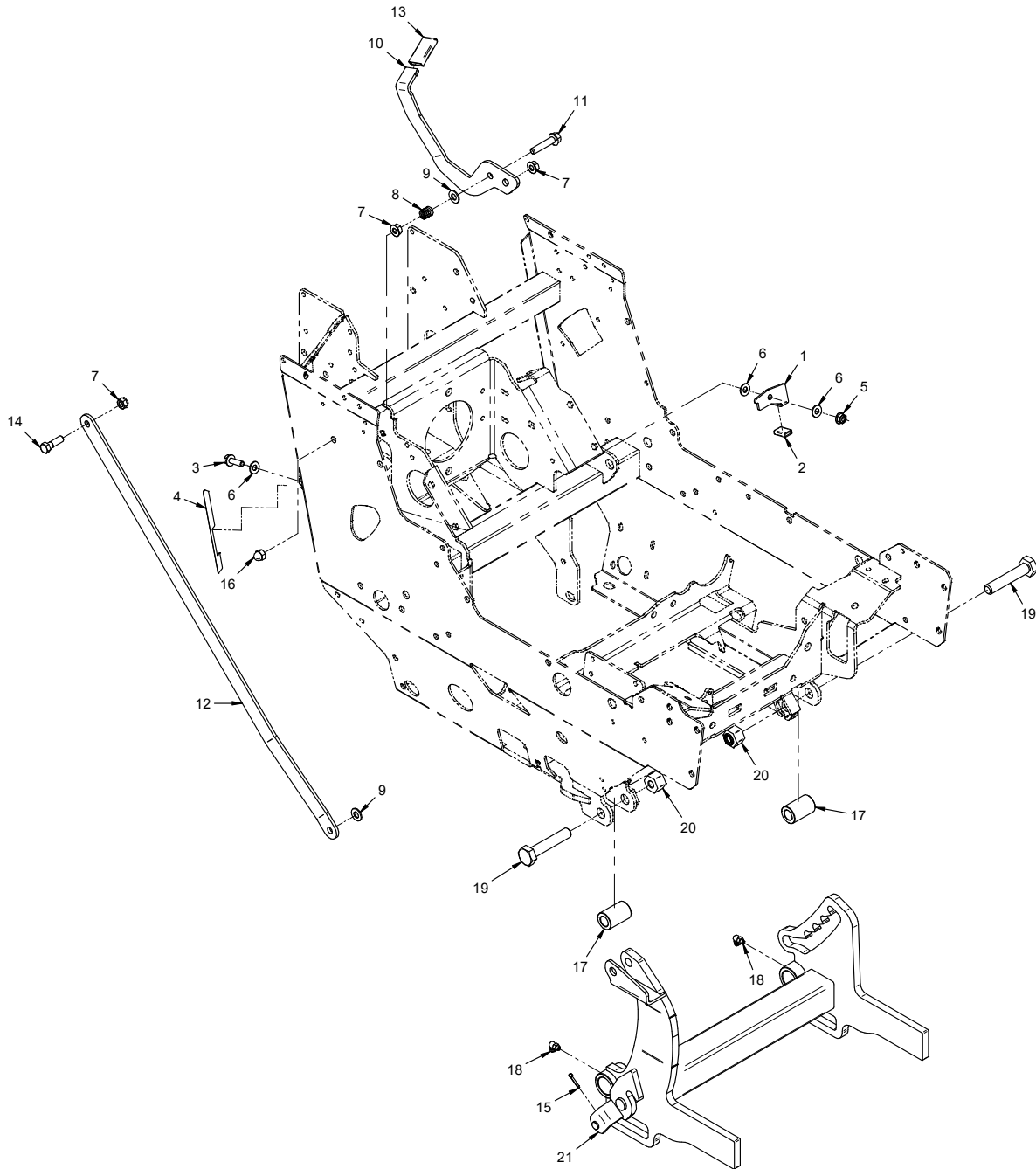
FRAMES / SHEET METAL

Center Pivot & Connector Link

REF.	PART NO.	DESCRIPTION	QTY.
1	99.SF0810-1	.Bolt, SMF 1/2-13 x 1-1/4	3
2	99.E0103	.Nut, Locking Flange 1/2-13	4
3	99.E0082	.Nut, Locking Flange 3/8-16	4
4	KN-1185	.Mount, Main Pivot Flange	1
5	99.SF0808-1	.Bolt, SMF 1/2-13 x 1	2
6	99.SF08	.Nut, SRF 1/2-13 USS	2
7	99.SF0612-1	.BOLT, SMF 3/8-16 X 1-1/2	4
8	99.B0061	.Washer, 3/16 X 21/32 X 1 1/32	1
9	99.E0057	.NUT, CASTLE 5/8-18 SAE	1
10	64.1724	.Spacer, Connector Link Bolt	1
11	99.E0095	.Locknut, 5/8-11 Heavy Nylon	1
12	99.E0094	.Locknut, 5/8-11 Flanged Stover	1
13	99.K0112	.Bolt, 5/8-11 X 2-1/2 Grd A325	1
14	97.1018	.Bolt, Carriage 5/8-11 x 2-1/4	1
15	62.1371	.Frame, Connector Link Mount	1
16	42.0607	.Link, Front/Rear Connector	1
17	KN-6013	.Bracket, Connector Frame MT	1
18	99.0812	.Bolt, 1/2-13 x 1-1/2 BSCS	1
19	43.1008	.Ball Joint, Sensor Asm	1
30	29.GF0020	.Grease Fitting, M6 x 1.0	2
31	85.S532	.Set Screw, M6-1.0 Hollow	2
32	99.M0075	.Bolt, M8 X 1.25 X 70mm	2
33	99.M0068	.Nut, M8 x 1.25 Nylon Lock	2

FRAMES / SHEET METAL

ILLUSTRATED DRAWING Front Hitch



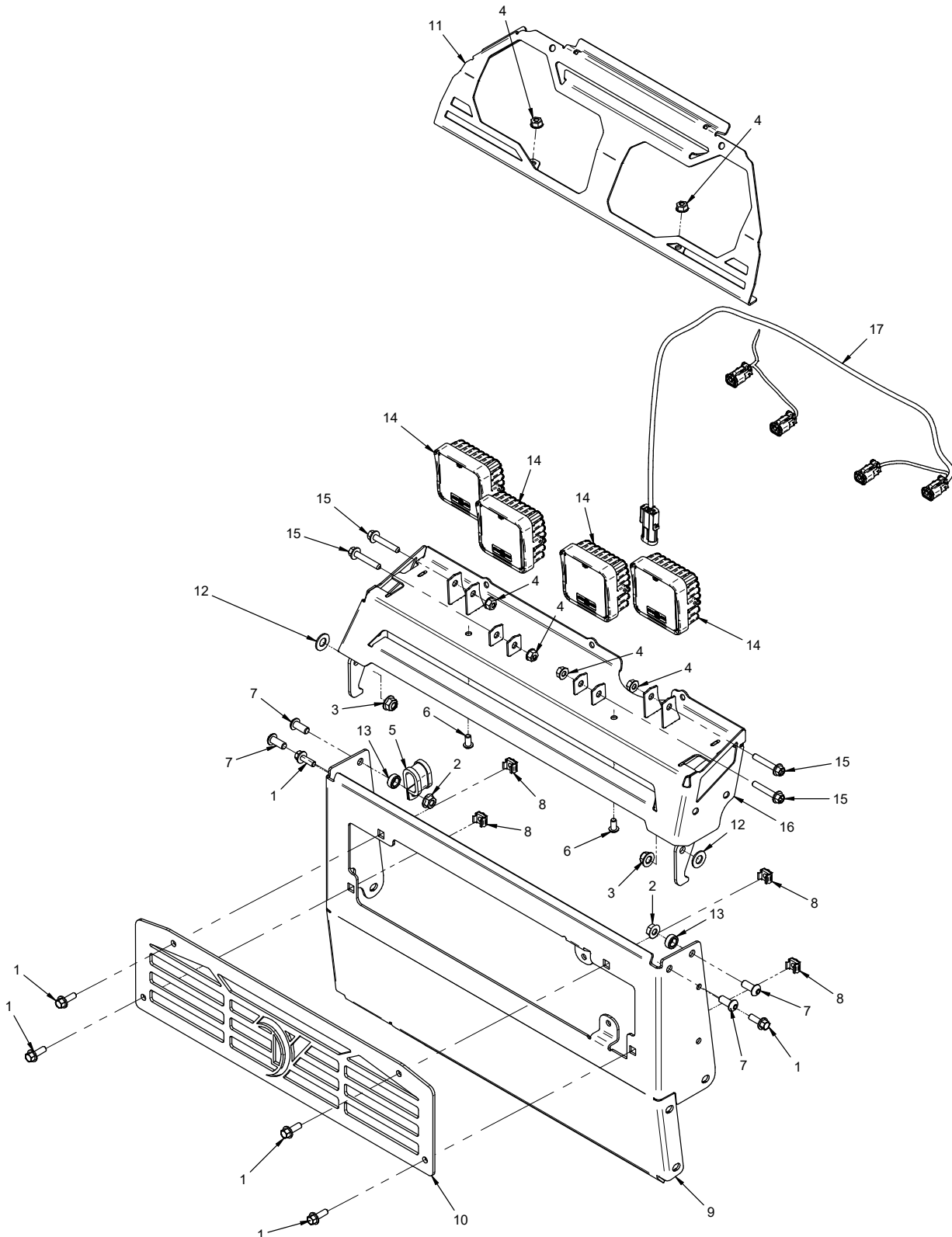
FRAMES / SHEET METAL

Front Hitch

REF.	PART NO.	DESCRIPTION	QTY.
1	64.1617	.Lock, Front Hitch Lever	1
2	06.0044	.Cap, Plastic 1/8 x 1/2 x 7/8	1
3	99.SF0508-1	.Bolt, SMF 5/16-18 x 1	1
4	00.0317	.Decal, Front Hitch Lock	1
5	99.E0102	.Nut, Locking Flange 5/16-18	1
6	05.0055	.Washer, Nylon .34 x .74 x .062	3
7	99.SF06	.Nut, SRF 3/8-16 USS	3
8	41.0039	.Spring, Comp. 9/16 OD X 5/8	1
9	95.06	.Washer, Flat 3/8 SAE	2
10	40.0376	.Lever, Front Hitch Latch	1
11	99.SF0614-1	.Bolt, SMF 3/8-16 X 1-3/4	1
12	42.0558	.Link, Front Hitch Latch	1
13	06.0051	.Cap, 3/16 x 15/16 x 1-3/4 FE	1
14	90.0610	.Bolt, 3/8-16 USS x 1-1/4	1
15	02.CP0406	.Cotter Pin, 1/8 X 3/4, Zinc	1
16	99.E0100	.Nut, Acorn 3/8-16	1
17	64.1609	.Bushing, Front Hitch Pivot	2
18	29.GF0002	.Grease Ftg, 1/4 SAE 90	2
19	99.K0121	.Bolt, 5/8-11 X 3-1/4 Grd A325	2
20	99.E0095	.Locknut, 5/8-11 Heavy Nylon	2
21	KN-6040	.Frame, Front Hitch	1

FRAMES / SHEET METAL

ILLUSTRATED DRAWING Grill & Headlights



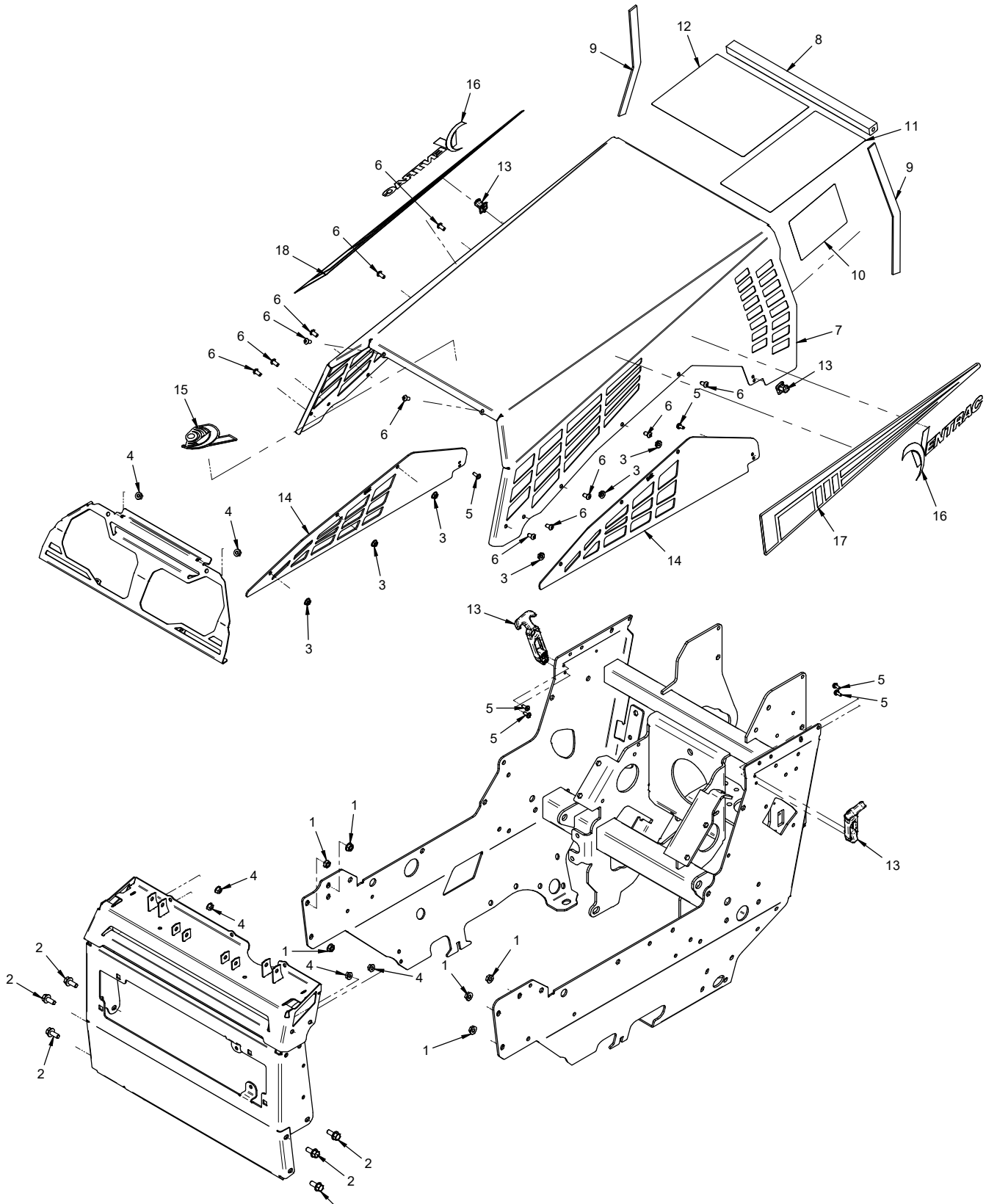
FRAMES / SHEET METAL

Grill & Headlights

REF.	PART NO.	DESCRIPTION	QTY.
1	99.SF0406-1	.Bolt, SMF 1/4-20 X 3/4.	6
2	99.SF05	.Nut, SRF 5/16-18 USS	2
3	99.E0102	.Nut, Locking Flange 5/16-18	2
4	99.E0101	.Nut, Locking Flange 1/4-20	6
5	11.0046	.Clamp, Cushioned 1/2" 2-Tube	1
6	99.0404	.Bolt, 1/4-20 x 1/2 BSCS	2
7	99.0506	.Bolt, 5/16-18 x 3/4 BSCS	4
8	99.E0146	.Nut, Cage 1/4-20 (.093 - .126")	4
9	KN-1123	.Bumper, Front, With Short Access Panel	1
10	KN-1191	.Plate, Front Grill "V", Short	1
11	KN-1166	.Grill, Front Filler	1
12	05.0083	.Washer, Nylon .377 X.875 X.062	2
13	64.0602	.Bushing, 3/8 x 5/8 x .265	2
14	33.0086	.Light, LED Flood	4
15	99.SF0412-1	.Bolt, SMF 1/4-20 x 1-1/2	4
16	KN-6058	.Grill, Front	1
17	32.0234	.Harness, Wire 4520 Hood	1

FRAMES / SHEET METAL

ILLUSTRATED DRAWING Hood



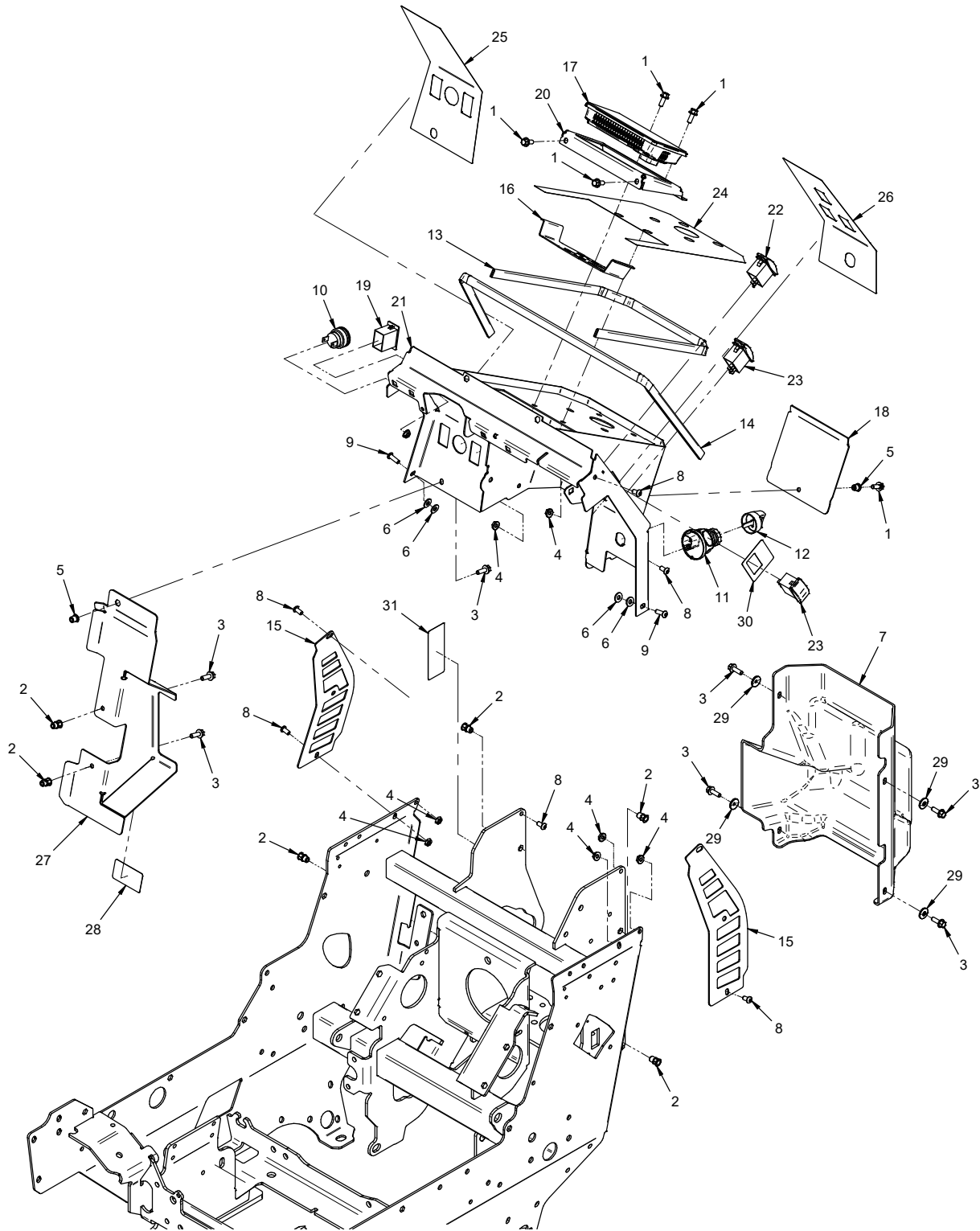
FRAMES / SHEET METAL

Hood

REF.	PART NO.	DESCRIPTION	QTY.
1	99.SF05	Nut, SRF 5/16-18 USS	6
2	99.SF0506-1	Bolt, SMF 5/16-18 USS x 3/4	6
3	99.SF04	Nut, SRF 1/4-20 USS	6
4	99.E0101	Nut, Locking Flange 1/4-20	6
5	99.K0072	Machine Screw, 10-24 X 1/2 ZP	6
6	99.0404	Bolt, 1/4-20 x 1/2 BSCS	12
7	KN-1501	Hood, Engine	1
8	44.0421	Seal, Hood Strip 4520	1
9	06.0045-12IN	Weatherstrip, 1/8 X 3/4 X 12"	2
10	00.0385	Decal, Maintenance Eng Oil	1
11	00.0790	Decal, Maintenance 45RC	1
12	00.0789	Decal, Quick Reference 45RC	1
13	47.0127	Latch, Rubber Draw T-Handle	2
14	GR-1194	Shield, Hood Lower, 45RC	2
15	00.0802	Decal, V 45RC	1
16	00.0801	Decal, Ventrac Black	2
17	00.0804	Decal, Hood Left 45RC	1
18	00.0805	Decal, Hood Right 45RC	1

FRAMES / SHEET METAL

ILLUSTRATED DRAWING Dash, Dash Brackets, Decals, & Switches



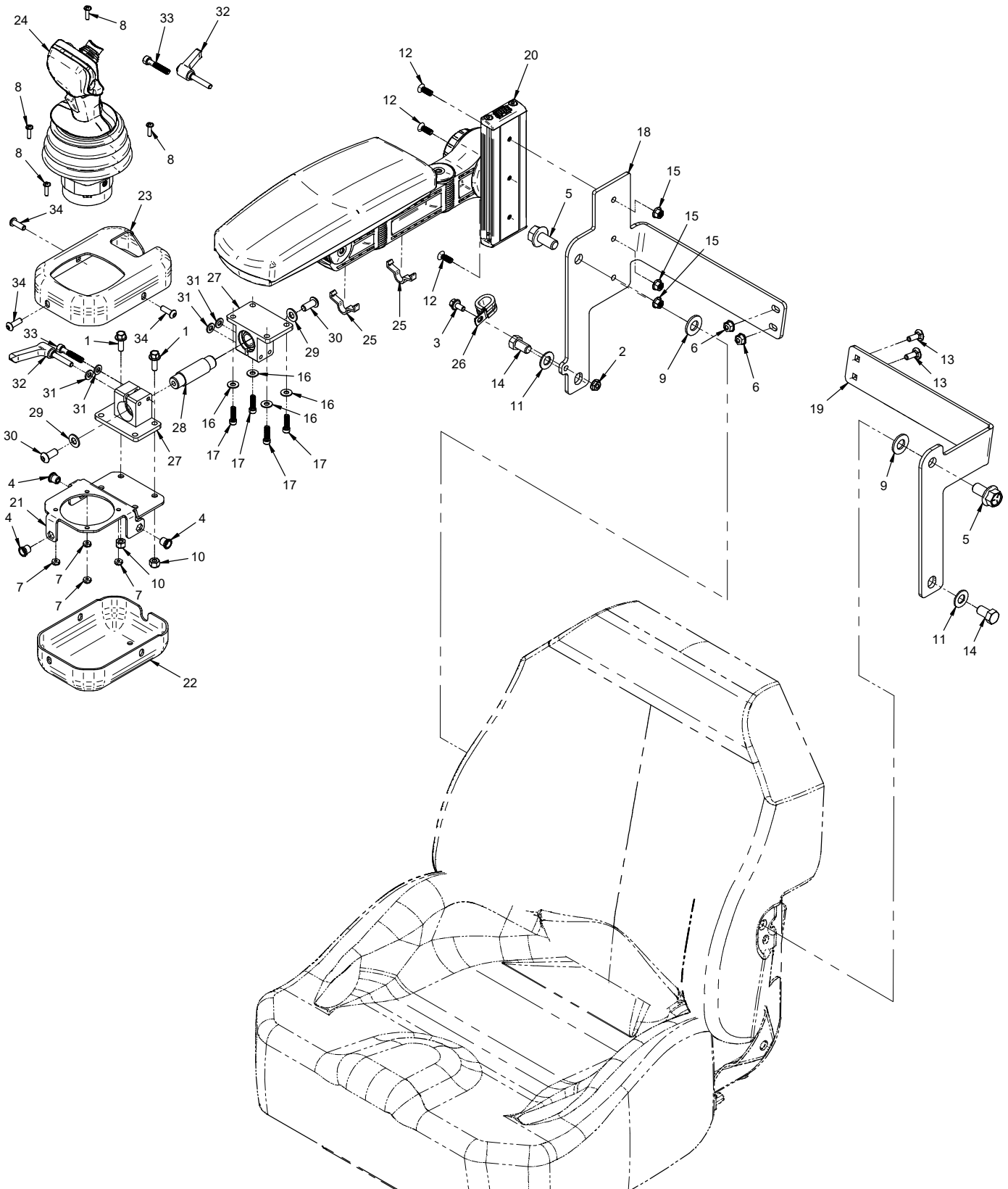
FRAMES / SHEET METAL

Dash, Dash Brackets, Decals, & Switches

REF.	PART NO.	DESCRIPTION	QTY.
1	99.SF0405-1	.Bolt, SMF 1/4-20 X 5/8.	5
2	99.E0105.	.Nut, Insert 1/4-20 Hex	4
3	99.SF0406-1	.Bolt, SMF 1/4-20 X 3/4.	7
4	99.SF04.	.Nut, SRF 1/4-20 USS	8
5	99.E0158.	.Nut, Insert 1/4-20 Hex, .027 - .165	4
6	95.04.	.Washer, Flat 1/4 SAE	4
7	GR-1157	.Cover, Pump.	1
8	99.0404.	.Bolt, 1/4-20 x 1/2 BSCS	6
9	99.0406.	.Bolt, 1/4-20 x 3/4 BSCS	2
10	35.0124.	.Alarm, Audible Cont. Panel Mt	1
11	13.0350.	.Switch, Ignition Keyed	1
12	13.0324.	.Key, Ignition w/Boot (Set of 2).	1
13	06.0042-34.88IN	.Trim, Trim Loc 1/2 x 1/16 x 34-7/8"	1
14	06.0042-33.5IN	.Trim, Trim Loc 1/2 x 1/16 x 33-1/2"	1
15	GR-1125	.Panel, Dash Access, Side Light	2
16	GR-1173	.Retainer, Display	1
17	35.0185.	.Display, 5" with MATCH.	1
18	KN-1144	.Cover, Steering Valve	1
19	05.0131.	.Plug, Switch Otto K5	1
20	GR-1180	.Mount, Display.	1
21	GR-6000	.Dash, Main, 45RC	1
22	31.0056.	.Switch, Rocker (On)/Off/(On).	1
23	31.0053.	.Switch, Rocker On/Off	2
24	00.0783.	.Decal, Dash Center	1
25	00.0780.	.Decal, Dash Right	1
26	00.0782.	.Decal, Dash Left.	1
27	GR-1175	.Cover, Pump Access Right, 45RC.	1
28	00.0639.	.Decal, Pinching Hazard Foot	1
29	99.B0143	.Washer, Sealing 1/4 ID x 3/4 OD	4
30	00.0788.	.Decal, Remote Switch	1
31	00.0821.	.Decal, FCC 45RC.	1

CONTROLS & LINKAGE

ILLUSTRATED DRAWING Joystick & Armrest Assembly



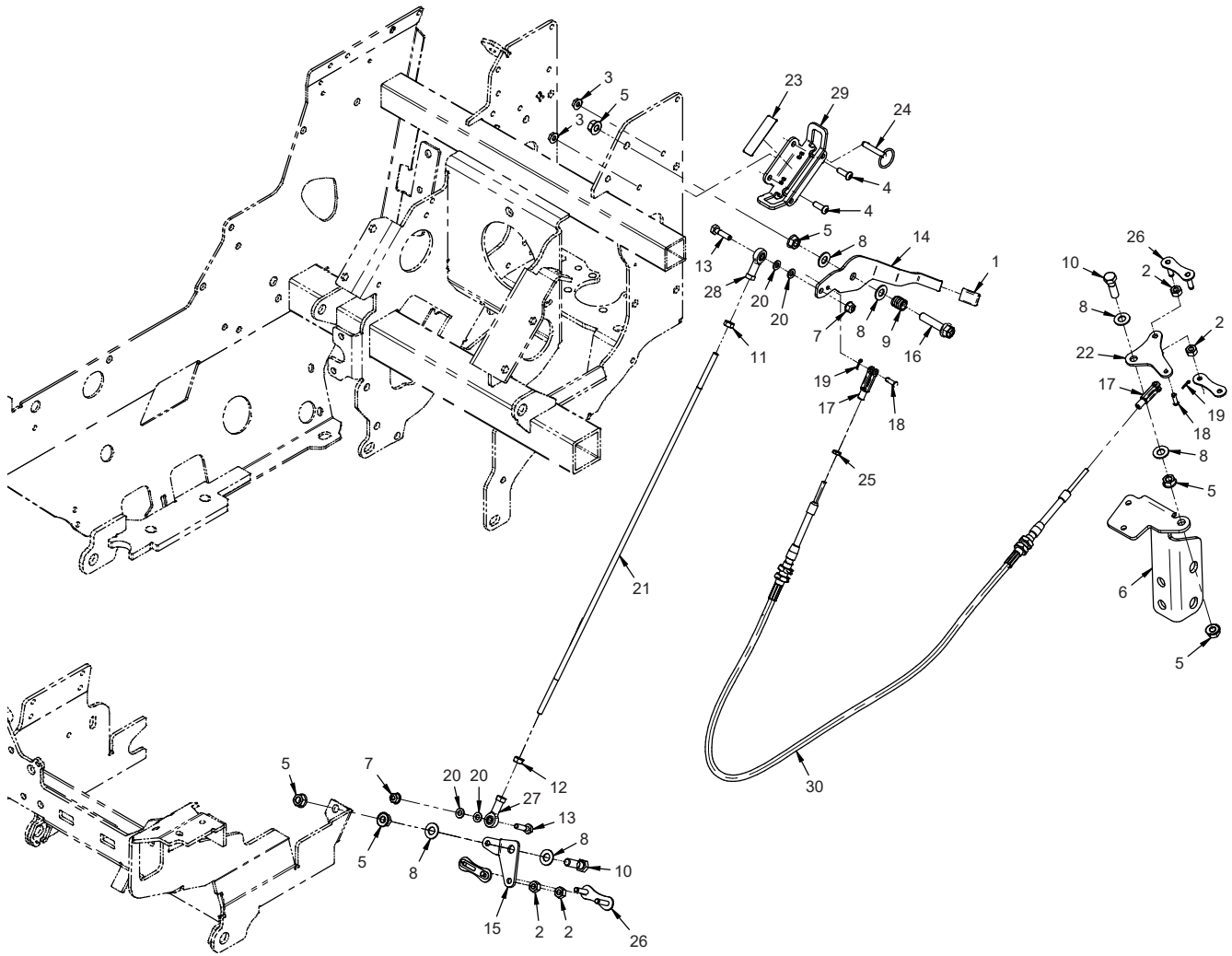
CONTROLS & LINKAGE

Joystick & Armrest Assembly

REF.	PART NO.	DESCRIPTION	QTY.
1	99.SF0406-1	.Bolt, SMF 1/4-20 X 3/4.	2
2	99.SF04	.Nut, SRF 1/4-20 USS	1
3	99.SF0404-1	.Bolt, SMF 1/4-20 X 1/2.	1
4	99.E0158	.Nut, Insert 1/4-20 Hex, .027 - .165	3
5	99.SF0808-1	.Bolt, SMF 1/2-13 x 1	2
6	99.E0101	.Nut, Locking Flange 1/4-20	2
7	99.E0104	.Nut, Jam #8-32 Nylon Lock	4
8	99.K0133	.Machine Screw, #8-32 X 5/8	4
9	95.08	.Washer, Flat 1/2 SAE	2
10	99.A04N	.Locknut, Nylon 1/4-20.	2
11	95.07	.Washer, Flat 7/16 SAE	2
12	99.M0082	.Bolt, M6 x 1.0 x 18 FHCS.	3
13	97.0406	.Bolt, Carriage 1/4-20 x 3/4.	2
14	91.0706	.Bolt, 7/16-20 SAE x 3/4	2
15	99.M0083	.Nut, Locking Flange M6 x 1.0	3
16	99.B0051	.Washer, Flat #10	4
17	99.M0084	.Bolt, M5 x 20MM SHCS	4
18	GR-1147	.Bracket, Arm Rest Mount, Right	1
19	GR-1148	.Bracket, Arm Rest Mount, Left Blank	1
20	47.0531	.Armrest, Assembly	1
21	GR-1141	.Holder, Joystick	1
22	GR-1159	.Cover-Bottom, Joystick Bottom	1
23	GR-1158	.COVER, JOYSTICK TOP	1
24	35.0179	.Joystick, 2 Axis, Canbus.	1
25	GR-1189	.Retainer, Joystick Harness	2
26	11.0076	.Clamp, Cushioned 1/2" SS	1
27	GR-1176	.Mount, Joystick, Pillow Block	2
28	GR-1177	.Shaft, Joystick Mount	1
29	95.05	.Washer, Flat 5/16 SAE	2
30	99.0506	.Bolt, 5/16-18 x 3/4 BSCS.	2
31	99.B0109	.Washer, 1/4ID, .50 OD x .062T.	4
32	40.0417	.Handle, Adjustable M6 x 1.00 x 1.26 Stud	2
33	99.M0085	.Bolt, SHCS M6 x 1.00 x 35mm	2
34	99.0406	.Bolt, 1/4-20 x 3/4 BSCS	3

CONTROLS & LINKAGE

ILLUSTRATED DRAWING High/Low Range Shift Linkage



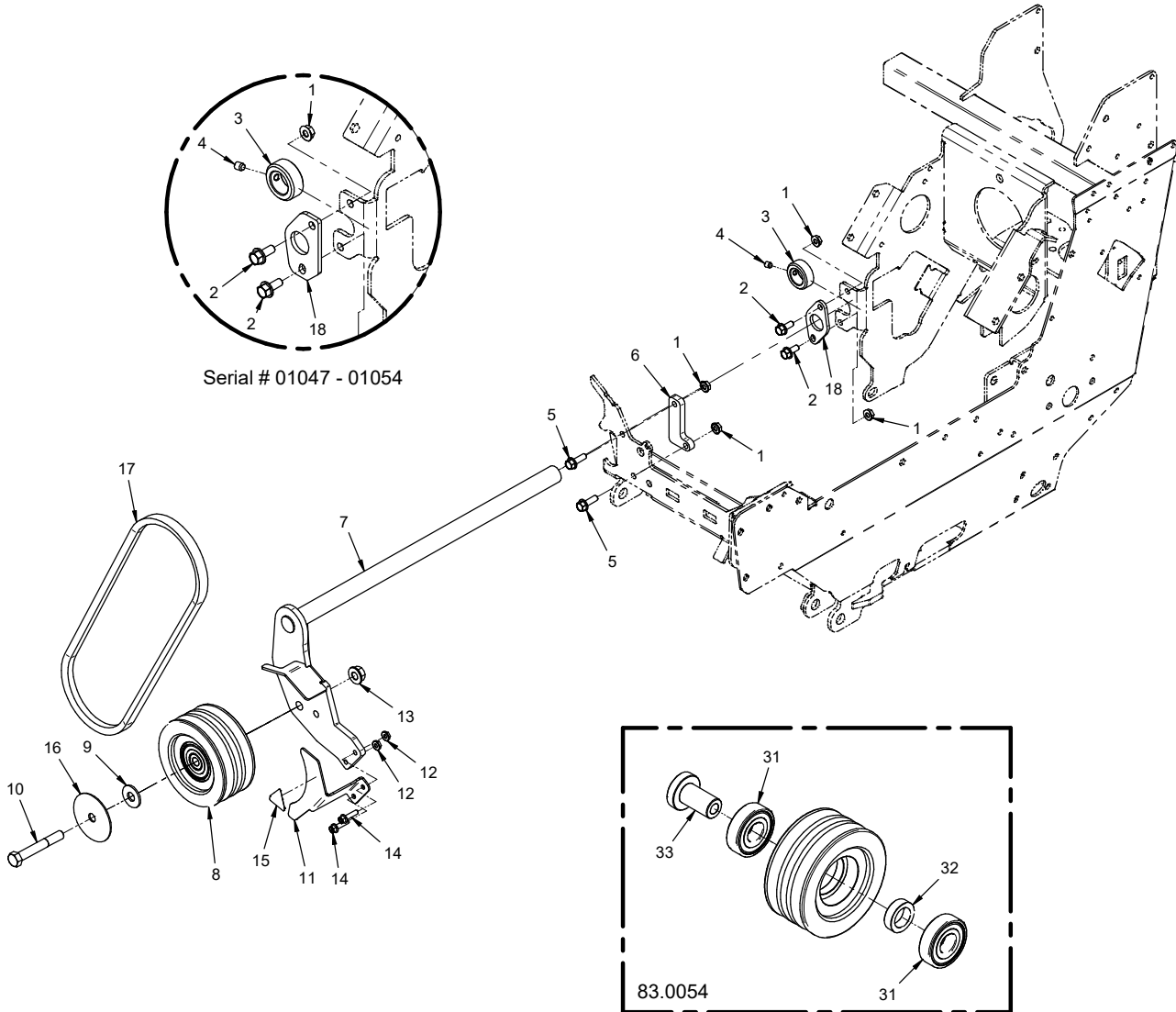
CONTROLS & LINKAGE

High/Low Range Shift Linkage

REF.	PART NO.	DESCRIPTION	QTY.
1	06.0044	.Cap, Plastic 1/8 x 1/2 x 7/8	1
2	92.05	.Nut, 5/16-18 USS	4
3	99.SF04	.Nut, SRF 1/4-20 USS	2
4	99.0406	.Bolt, 1/4-20 x 3/4 BSCS	2
5	99.SF06	.Nut, SRF 3/8-16 USS	6
6	KN-1032	.Bracket, Rear Hitch Mt Right	1
7	99.E0101	.Nut, Locking Flange 1/4-20	2
8	95.06	.Washer, Flat 3/8 SAE	6
9	41.0039	.Spring, Comp. 9/16 OD X 5/8	1
10	90.0610	.Bolt, 3/8-16 USS x 1-1/4	2
11	99.E0081	.Nut, 1/4-28 LH Grade 8 YZ	1
12	93.04	.Nut, 1/4-28 SAE	1
13	90.0408	.Bolt, 1/4-20 USS x 1	2
14	40.0379	.Lever, High/Low Shift	1
15	64.0703	.Plate, Front Shift Pivot	1
16	99.SF0614-1	.Bolt, SMF 3/8-16 X 1-3/4	1
17	43.C10-32-1	.Clevis End Kit, #10-32 3/16 Hole	2
18	03.0305	.Clevis Pin, 3/16 x 5/8 ZP	2
19	02.CP0204	.Cotter Pin, 1/16 X 1/2, Zinc	2
20	99.B0109	.Washer, 1/4ID, .50 OD x .062T	4
21	42.0561	.Rod, Thread 1/4-28x21.00 RH/LH	1
22	40.0373	.Arm, High/Low Shift Rocker	1
23	00.0313	.Decal, High/Low Range	1
24	03.0022	.Pin, Ball 1/4" x 1"	1
25	99.E0034	.Nut, #10-32	1
26	81.0124	.Link, Conn #60 Double Pitch	2
27	43.004	.Rod End, 1/4 Spherical	1
28	43.004L	.Rod End, 1/4 Spherical LH	1
29	64.1784	.Bracket, High/Low Shift Lock	1
30	47.0122	.Cable, Hi-Low Shift	1

CONTROLS & LINKAGE

ILLUSTRATED DRAWING PTO Idler Pulley & Idler Arm



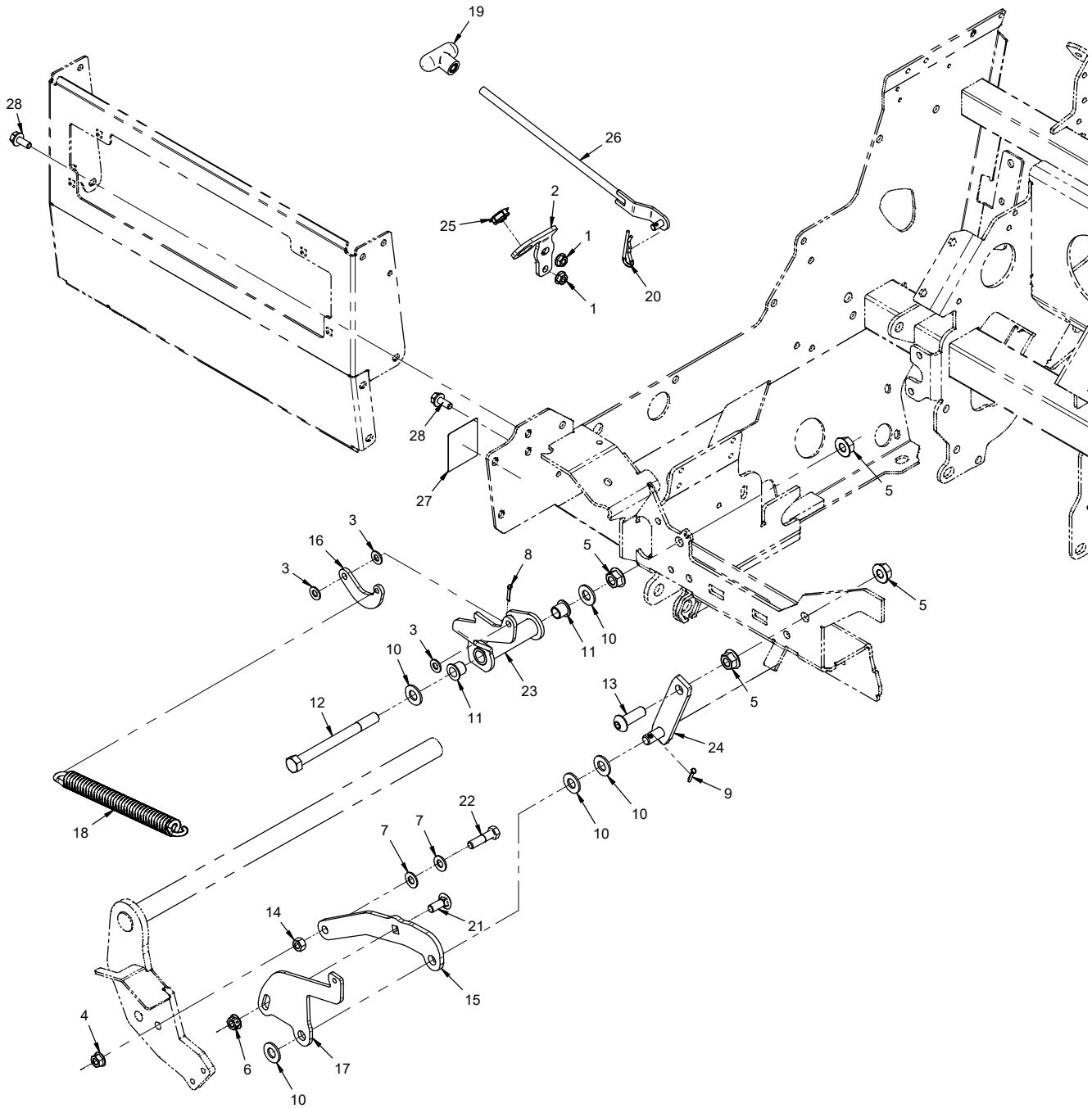
CONTROLS & LINKAGE

PTO Idler Pulley & Idler Arm

REF.	PART NO.	DESCRIPTION	QTY.
1	99.SF05	Nut, SRF 5/16-18 USS	4
2	99.SF0506-1	Bolt, SMF 5/16-18 USS x 3/4	2
3	85.SC16-1	Set Collar, 1.015"	1
4	85.SS18	Set Screw, 5/16-18 x 3/8	1
5	99.SF0508-1	Bolt, SMF 5/16-18 x 1	2
6	64.1699	Plate, PTO Wearbar	1
7	40.0378	Arm, PTO Idler	1
8	83.0054	Pulley, Idler 2 Groove Asm	1
9	94.08	Washer, Flat 1/2 USS	1
10	90.0828	Bolt, 1/2-13 USS x 3-1/2	1
11	60.1135	Guard, PTO Idler Pulley	1
12	99.SF04	Nut, SRF 1/4-20 USS	2
13	99.E0103	Nut, Locking Flange 1/2-13	1
14	99.SF0408-1	Bolt, SMF 1/4-20 x 1	2
15	00.0339	Decal, Moving Parts	1
16	60.1279	Cover, Pulley	1
17	81.B038	Belt, B38 / 85410 5 L section belt	1
18	64.1702	Plate, PTO Arm Hanger (Serial # 01001-01046, 01055-)	1
18	GR-1219	Plate, PTO Arm Hanger, Extended (Serial # 01047-01054)	1
31	55.0064	Bearing, Ball 25 MM x 62 MM	2
32	85.B0085	Bushing, Bearing Spacer	1
33	85.B0084	Bushing, Drive Pulley	1

CONTROLS & LINKAGE

ILLUSTRATED DRAWING PTO Belt Tension Linkage



CONTROLS & LINKAGE

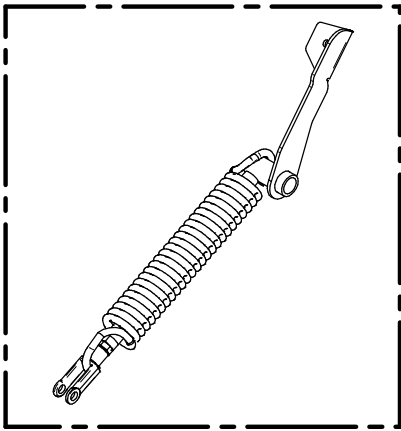
PTO Belt Tension Linkage

REF.	PART NO.	DESCRIPTION	QTY.
1	99.SF05	Nut, SRF 5/16-18 USS	2
2	64.1616	Bracket, Belt Release Pivot	1
3	95.05	Washer, Flat 5/16 SAE	3
4	99.SF06	Nut, SRF 3/8-16 USS	1
5	99.SF08	Nut, SRF 1/2-13 USS	4
6	99.E0082	Nut, Locking Flange 3/8-16	1
7	95.06	Washer, Flat 3/8 SAE	2
8	02.CP0406	Cotter Pin, 1/8 X 3/4, Zinc	1
9	02.CP0506	Cotter Pin, 5/32 X 3/4, Zinc	1
10	95.08	Washer, Flat 1/2 SAE	5
11	85.B0027	Bushing, 1/2 ID X 5/8 OD X 5/8	2
12	90.0844	Bolt, 1/2-13 USS x 5-1/2	1
13	99.0812	Bolt, 1/2-13 x 1-1/2 BSCS	1
14	92.06	Nut, 3/8-16 USS	1
15	42.0584	Link, PTO Idler Push Arm	1
16	42.0557	Link, PTO Belt Tensioner	1
17	42.0559	Link, PTO Tensioner Adjuster	1
18	41.0056	Spring, Ext 7/8 OD x 8-1/2 Lng	1
19	47.0330	Knob, Bar 2-1/4 x 3/8-16	1
20	02.HP0416	Hairpin, 1/8 X 2 ZP	1
21	97.0608	Bolt, Carriage 3/8-16 x 1	1
22	90.0612	Bolt, 3/8-16 USS x 1-1/2	1
23	64.1627	Rocker, PTO Idler Arm Tension	1
24	64.1610	Rocker, PTO Tensioner	1
25	55.0082	Bearing, Spherical 10MM ID	1
26	42.0554	Rod, PTO Belt Tensioner	1
27	00.0319	Decal, PTO Tension	1
28	99.SF0506-1	Bolt, SMF 5/16-18 USS x 3/4	2

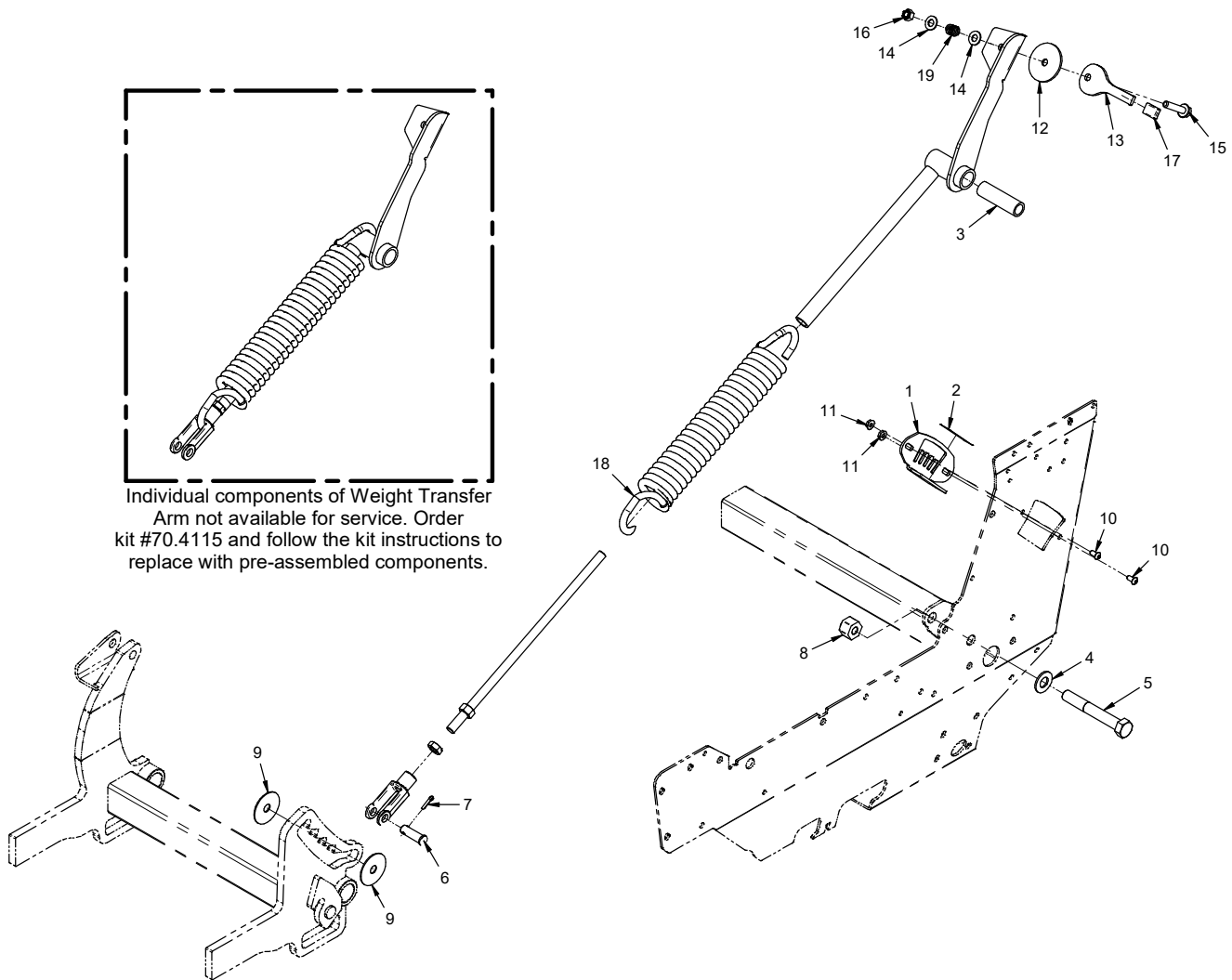
CONTROLS & LINKAGE

ILLUSTRATED DRAWING

Weight Transfer



Individual components of Weight Transfer Arm not available for service. Order kit #70.4115 and follow the kit instructions to replace with pre-assembled components.



CONTROLS & LINKAGE

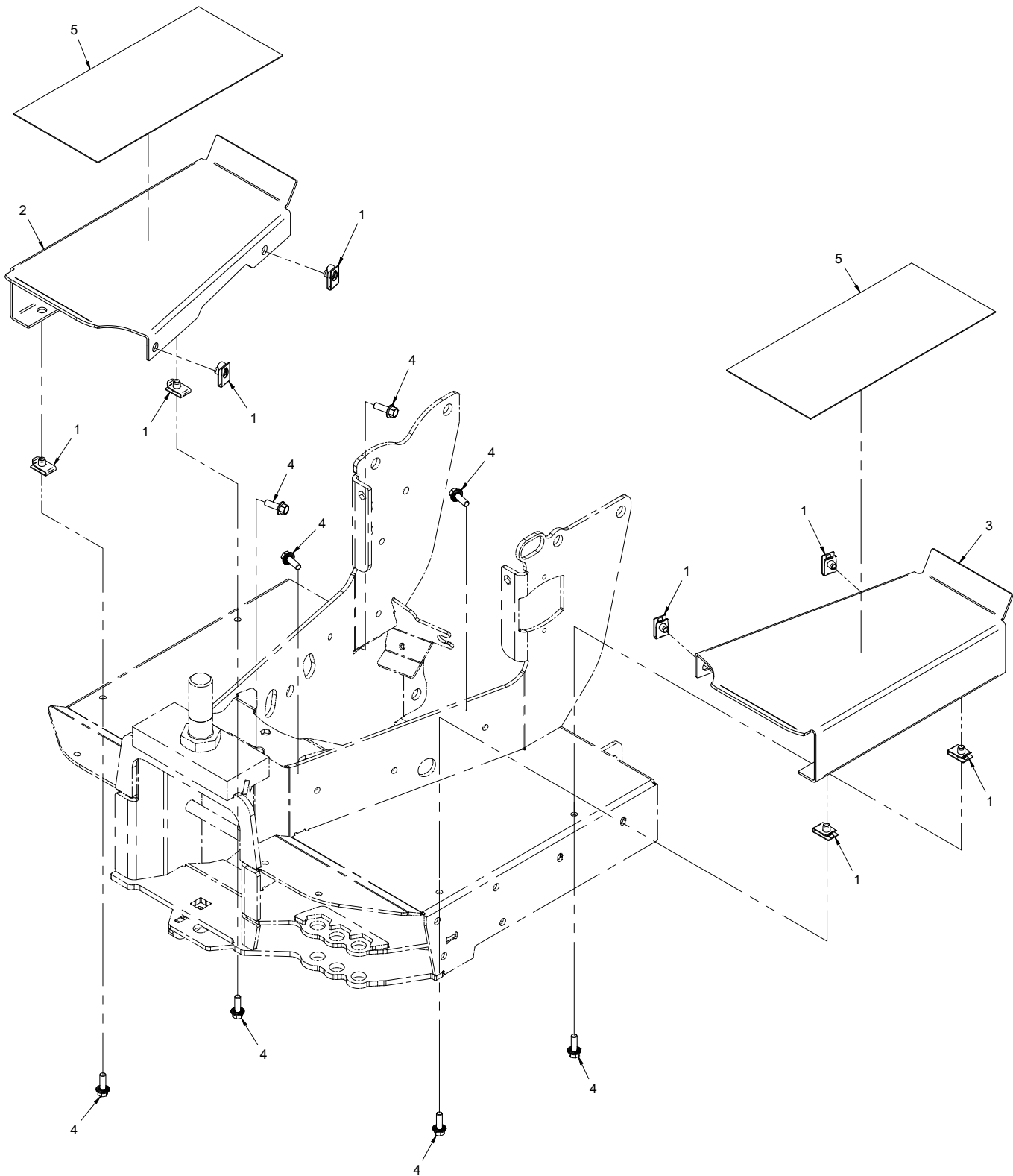
Weight Transfer

REF.	PART NO.	DESCRIPTION	QTY.
1	64.1619	.Bracket, Wt. Transfer Selector	1
2	00.0314	.Decal, Weight Transfer	1
3	64.1612	.Bushing, Pivot Weight Transfer	1
4	95.10	.Washer, Flat 5/8 SAE	1
5	90.1036	.Bolt, 5/8-11 UNC x 4-1/2	1
6	03.0812	.Clevis Pin, 1/2 X 1-1/2	1
7	02.CP0506	.Cotter Pin, 5/32 X 3/4, Zinc	1
8	99.E0095	.Locknut, 5/8-11 Heavy Nylon	1
9	99.B0099	.Washer, Fender 1/2" x 2" OD ZP	2
10	99.0404	.Bolt, 1/4-20 x 1/2 BSCS	2
11	99.SF04	.Nut, SRF 1/4-20 USS	2
12	05.0002	.Washer, Fric. 2-1/4 X 13/32	1
13	40.0381	.Lever, Weight Transfer Select	1
14	95.06	.Washer, Flat 3/8 SAE	2
15	99.SF0614-1	.Bolt, SMF 3/8-16 X 1-3/4	1
16	99.A06N	.Locknut, Nylon 3/8-16	1
17	06.0044	.Cap, Plastic 1/8 x 1/2 x 7/8	1
18	70.4115*	.Kit, Weight Transfer 4500/4520	1
19	41.0039	.Spring, Comp. 9/16 OD X 5/8	1

*Individual components of Weight Transfer Arm not available for service. Order kit # 70.4115 and follow the kit instructions to replace with pre-assembled components.

OPTIONS

ILLUSTRATED DRAWING 70.4108 Raised Platform Kit



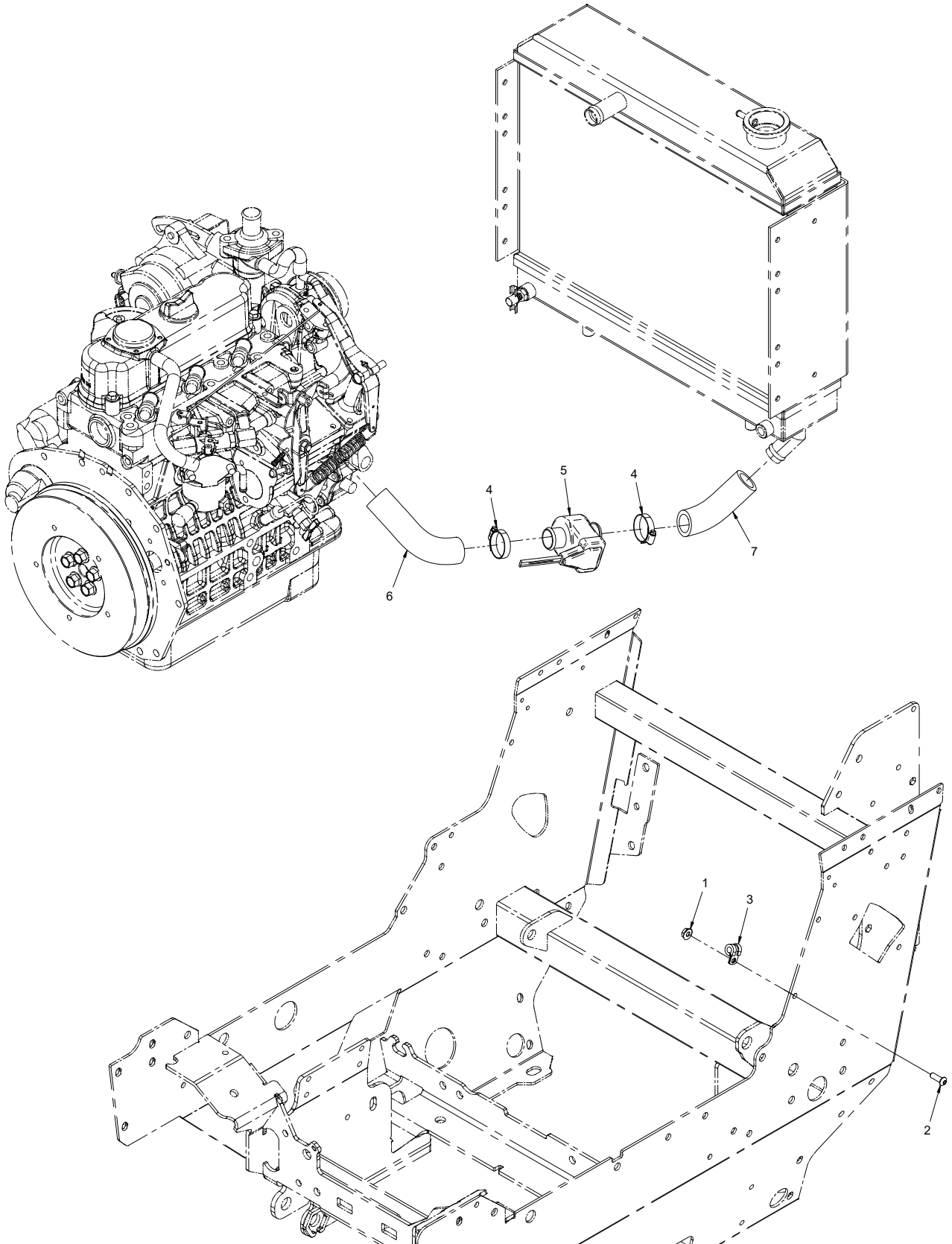
OPTIONS

70.4108 Raised Platform Kit

REF.	PART NO.	DESCRIPTION	QTY.
1	99.E0046	Nut, "U" 1/4-20 Extruded	8
2	62.1384	Frame, Raised Platform RH	1
3	62.1388	Frame, Raised Platform LH	1
4	99.SF0406	Bolt, SRF 1/4-20 X 3/4	8
5	56.0055-11IN	Flex Tread, 5" Black Coarse x 11"	2

OPTIONS

ILLUSTRATED DRAWING 70.4102 Kubota Engine Heater Kit



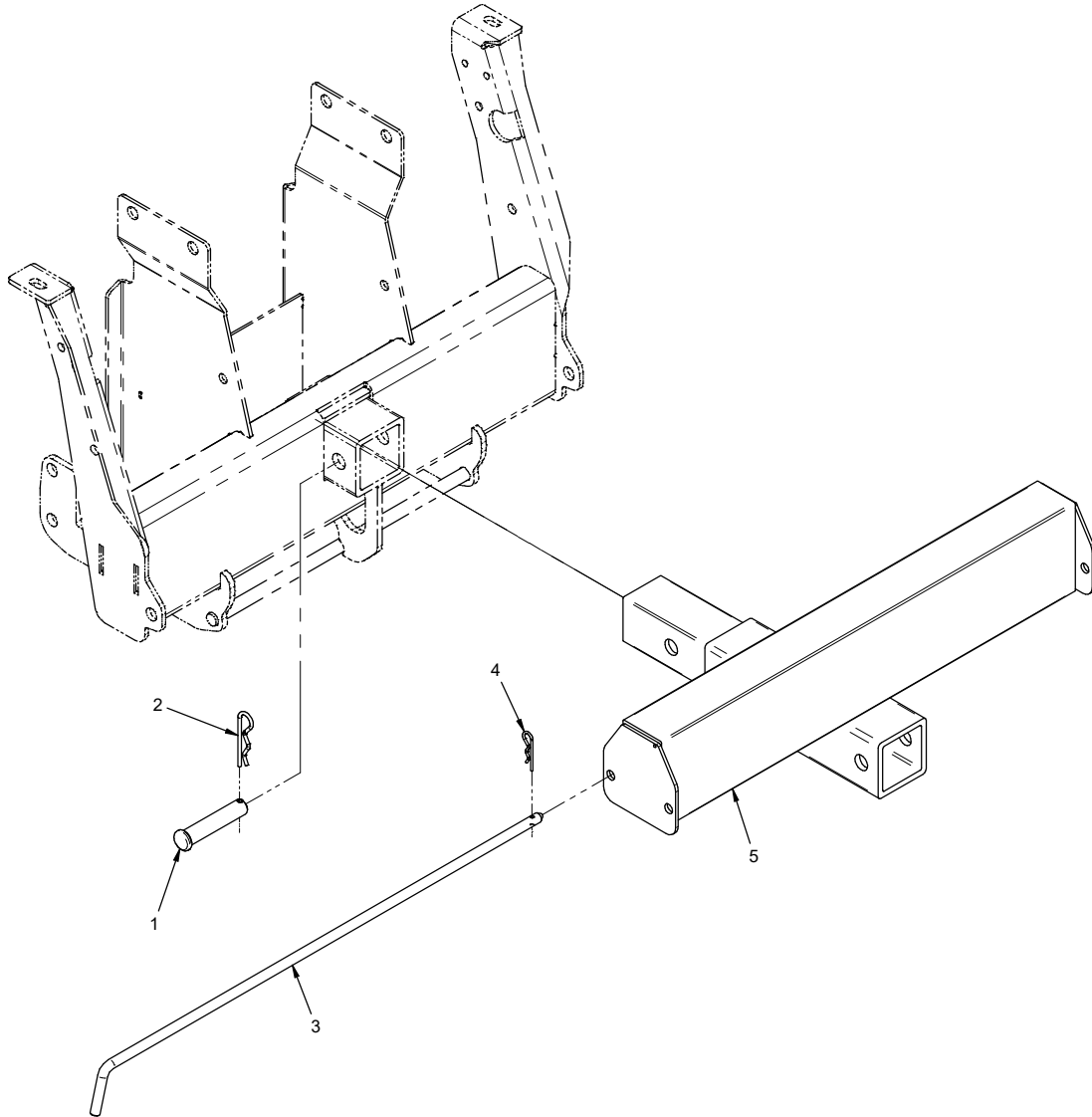
OPTIONS

70.4102 Kubota Engine Heater Kit

REF.	PART NO.	DESCRIPTION	QTY.
1	99.SF04	Nut, SRF 1/4-20 USS	1
2	99.0406	Bolt, 1/4-20 x 3/4 BSCS	1
3	11.0058	Clamp, Cushioned 3/8" Round	1
4	11.0052	Clamp, Hose SS 13/16 x 1-1/2	2
5	13.0303	Heater, Radiator Hose	1
6	13.0263-1	Hose, Heater Engine Side	1
7	13.0263-2	Hose, Heater Radiator Side	1

OPTIONS

ILLUSTRATED DRAWING 70.4144 Rear Weight Bar Kit



OPTIONS

70.4144 Rear Weight Bar Kit

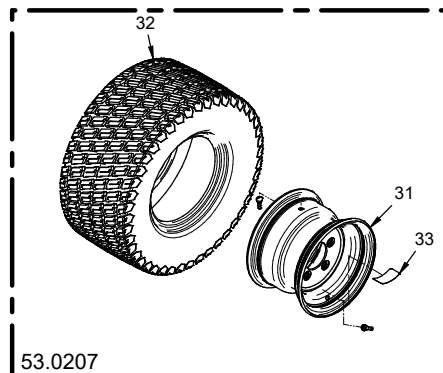
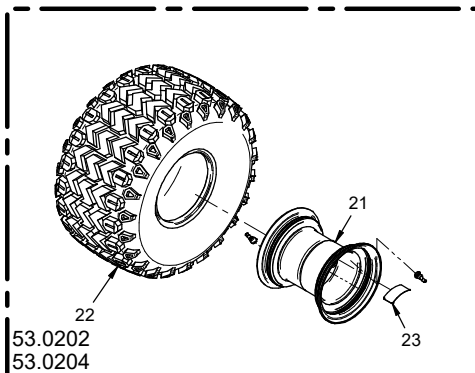
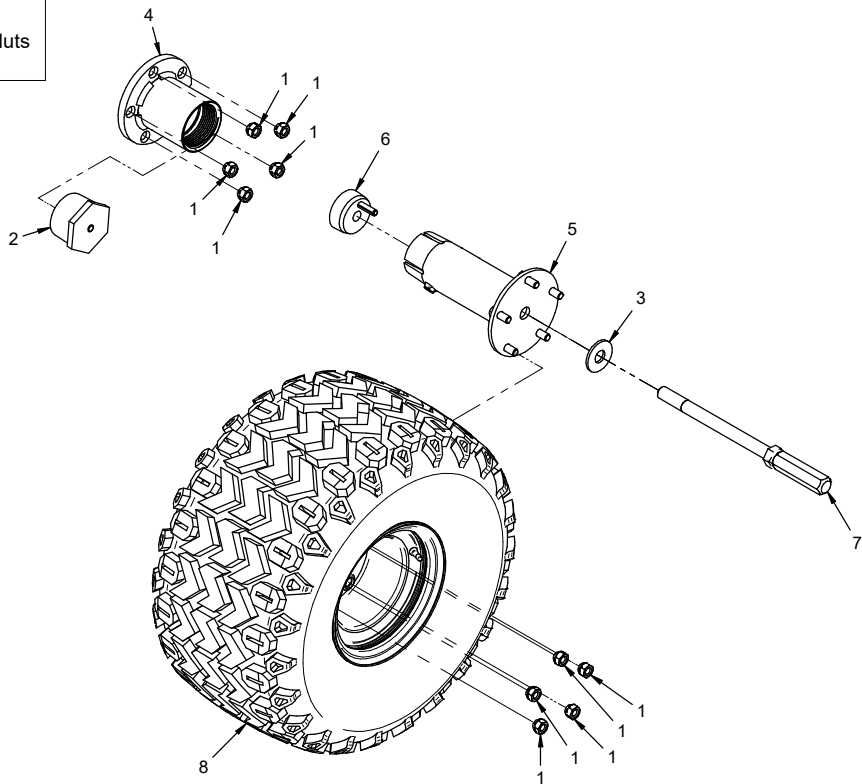
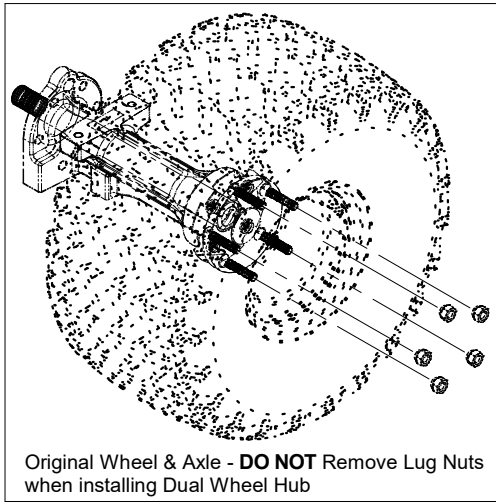
REF.	PART NO.	DESCRIPTION	QTY.
1	03.1024	Clevis Pin, 5/8 X 3 OAL	1
2	02.HP0420	Hairpin, 1/8 X 2 1/2	1
3	64.1912	Pin, Weight Secure 22.5" Usable	1
4	02.HP0313	Hairpin, 3/32 X 1-5/8	1
5	62.1454	Frame, Rear Weight Bar	1

OPTIONS

ILLUSTRATED DRAWING Dual Wheels

MNT PRO Dual Wheel Kit - # 70.4067

Turf Master Dual Wheel Kit - # 70.4068



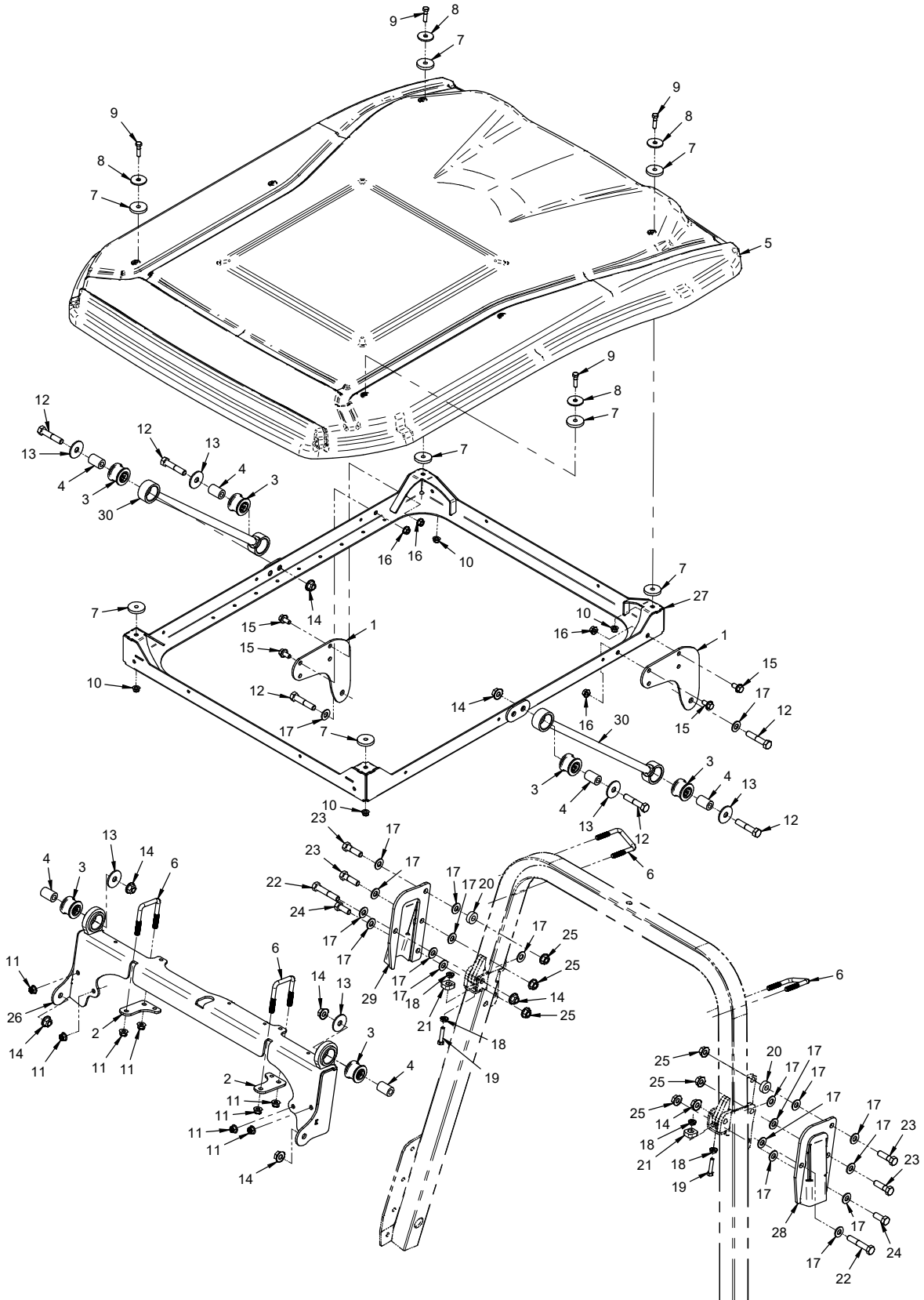
OPTIONS

Dual Wheels

REF.	PART NO.	DESCRIPTION	QTY.
1	99.E0044	Nut, Lug 7/16-20 SAE	40
2	05.0195	Plug, 2-1/2 Npt M, Black ABS	4
3	94.12	Washer, Flat 3/4 USS	4
4	50.0190	Hub, Dual Wheel	4
5	50.0061	Extension, Dual Wheel KT	4
6	50.0063	Cone, 3/4" Drawcone Duals	4
7	64.0672	Bolt, 3/4" Drawbolt Duals	4
8	53.0202	Wheel, Asm 22x12x8 (Carlstar Field Trax)	4
8	53.0204	Wheel, Asm 22x12x8 AT (OTR MTN-Pro)	4
8	53.0207	Wheel, Asm 22 X 11 X 10 X 5B Turf	4
21	53.0203	Rim, 8 X 8.5, 5 On 4.5 BC (Carlstar Field Trax)	1
21	53.0205	Rim, 8 X 8.5, 5 On 4.5 BC (OTR MTN-Pro)	1
22	53.0089	Tire, Field 22 X 12 X 8-No Rim (Carlstar Field Trax)	1
22	53.0206	Tire, 22 X 12 X 8 AT-No Rim (OTR MTN-Pro)	1
23	00.0645	Decal, Hub Side	1
31	53.0208	Rim, 10 X 7 - 5 On 4.5 BC	1
32	53.0112	Tire, Turfmastr 22X11X10 No Rim	1
33	00.0645	Decal, Hub Side	1

OPTIONS

ILLUSTRATED DRAWING 70.4169 Canopy Kit



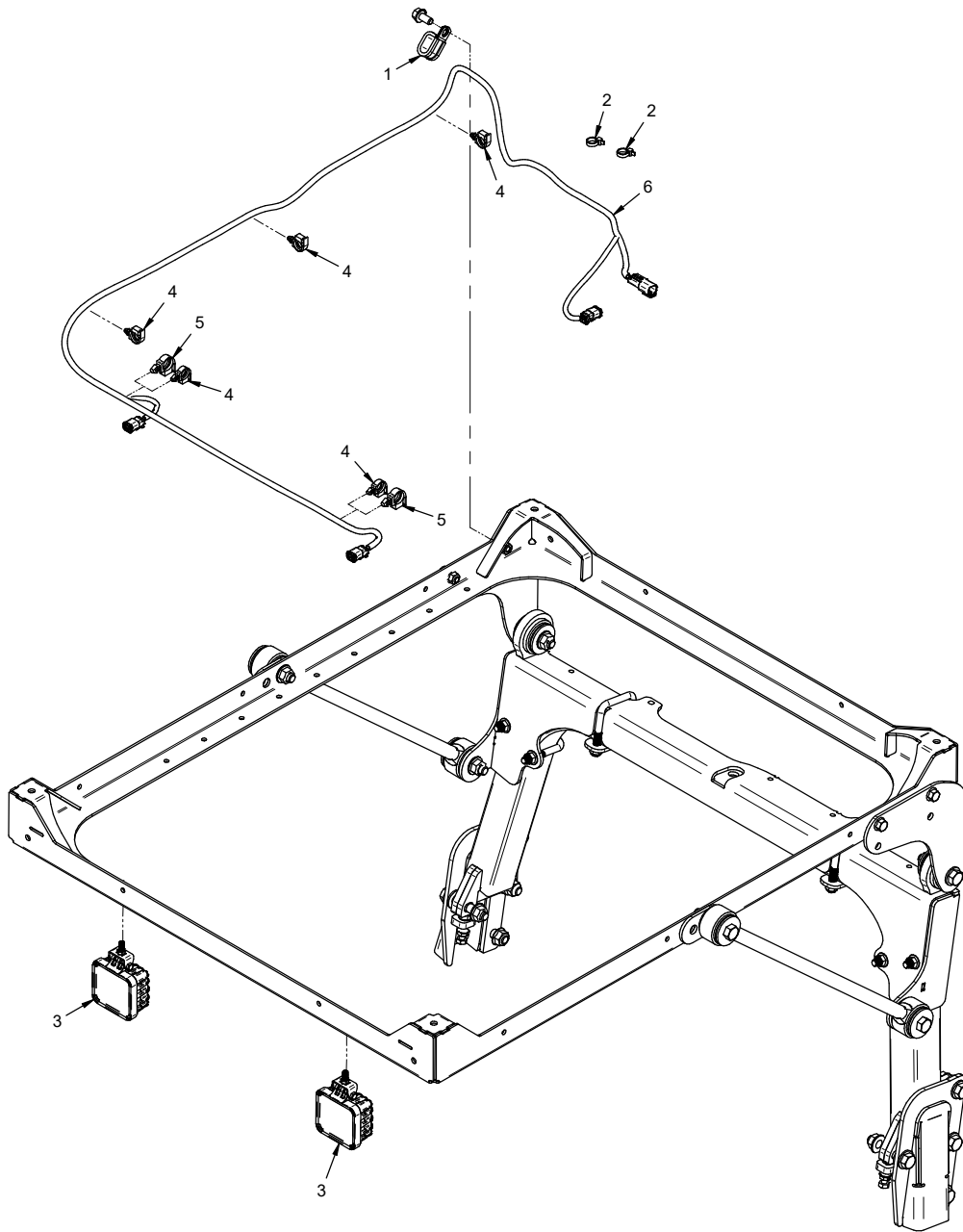
OPTIONS

70.4169 Canopy Kit

REF.	PART NO.	DESCRIPTION	QTY.
1	KN-1222	.Mount, Canopy Frame	2
2	KN-1225	.Plate, Rollbar Mount	2
3	85.B0113	.Bushing, Link Rod	6
4	64.2034	.Spacer, Link Rod	6
5	44.0363	.Roof, Cab	1
6	11.0053	.U-Bolt, 3/8-16 2-1/16" ID SQ Bend	4
7	05.0085	.Washer, Neoprene	8
8	99.B0076	.Washer, .130T x .395ID x 1.5OD	4
9	90.0510	.Bolt, 5/16-18 USS x 1-1/4	4
10	99.E0102	.Nut, Locking Flange 5/16-18	4
11	99.E0136	.Nut, Nylon Locking Flange 3/8-16	8
12	90.0820	.Bolt, 1/2-13 USS x 2-1/2	6
13	99.B0141	.Washer, Fender 1/2 x 1-3/4 OD	6
14	99.E0103	.Nut, Locking Flange 1/2-13	8
15	99.SF0606-1	.Bolt, SMF 3/8-16 USS x 3/4	4
16	99.SF06	.Nut, SRF 3/8-16 USS	4
17	95.08	.Washer, Flat 1/2 SAE	20
18	99.SF05	.Nut, SRF 5/16-18 USS	4
19	90.0512-2	.Bolt, 5/16-18 USS x 1-1/2 Tap	2
20	KN-1338	.Spacer, 1/2 ID x 1-1/8 OD x 3/8 T	2
21	KN-1339	.Plate, Rollbar Lock	2
22	90.0822	.Bolt, 1/2-13 USS x 2-3/4	2
23	90.0814	.Bolt, 1/2-13 USS x 1-3/4	4
24	90.0810	.Bolt, 1/2-13 USS x 1-1/4	2
25	99.SF08	.Nut, SRF 1/2-13 USS	6
26	KN-6026	.Frame, Rollbar Mount	1
27	KN-6027	.Frame, Canopy	1
28	KN-6055	.Bracket, Rollbar Lock LH	1
29	KN-6053	.Bracket, Rollbar Lock RH	1
30	KN-6035	.Link, Rod 20.00"	2

OPTIONS

ILLUSTRATED DRAWING 70.4172 Front Work Light for Canopy Kit



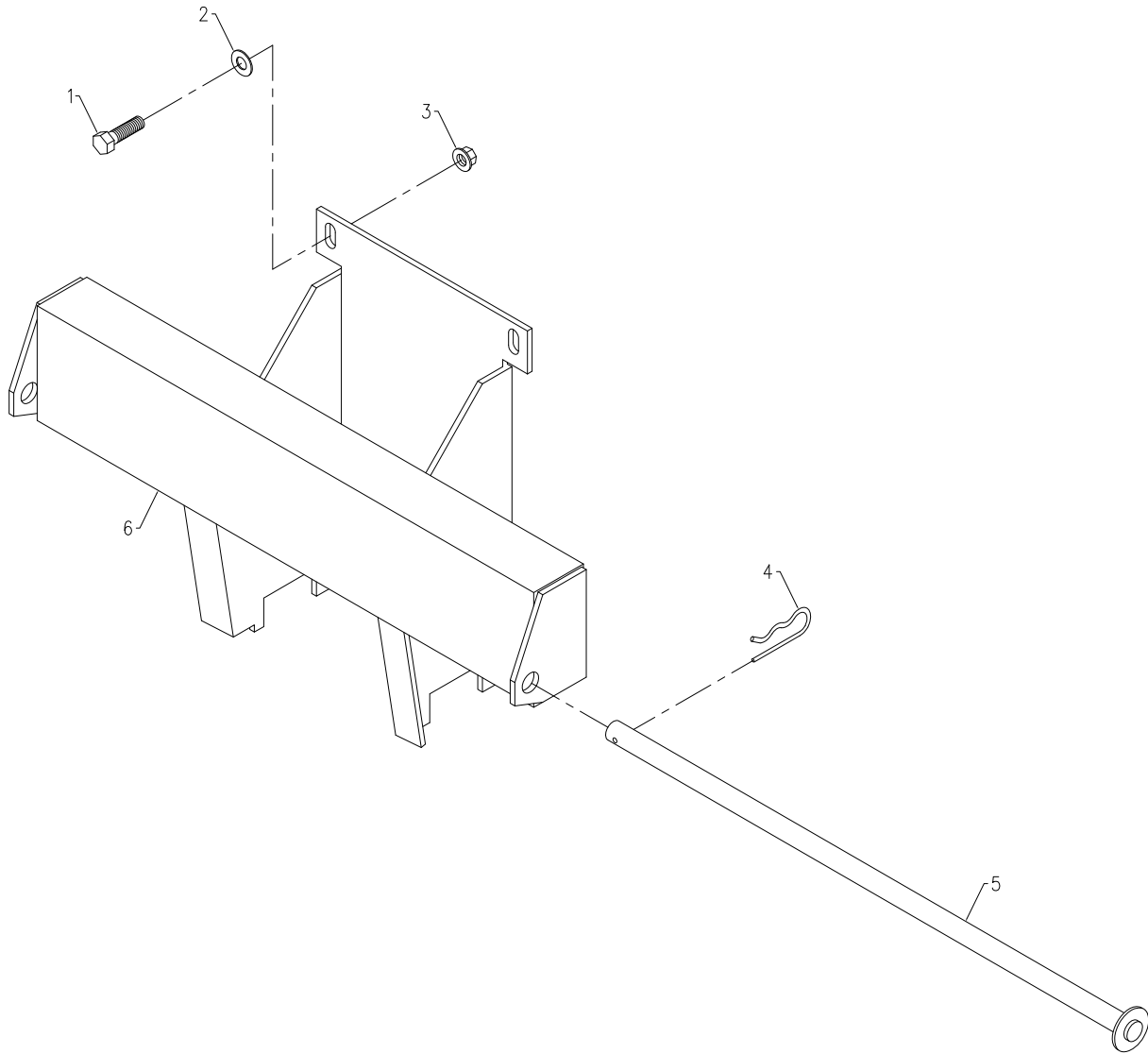
OPTIONS

70.4172 Front Work Light for Canopy Kit

REF.	PART NO.	DESCRIPTION	QTY.
1	11.0046	Clamp, Cushioned 1/2" 2-Tube	1
2	30.0037	Tyton Tie, #50 .18 x 8 Black	2
3	33.0087	Light, LED Flood with Bracket	2
4	30.0135	Clamp, Loom 3/8 Rosebud Mount	5
5	30.0137	Clamp, Loom 5/8 Rosebud Mount (if equipped with Strobe Lights)	2
6	32.0230	Harness, Wire Work Lights	1

OPTIONS

ILLUSTRATED DRAWING 39.56116 Rear Counterweight Bar



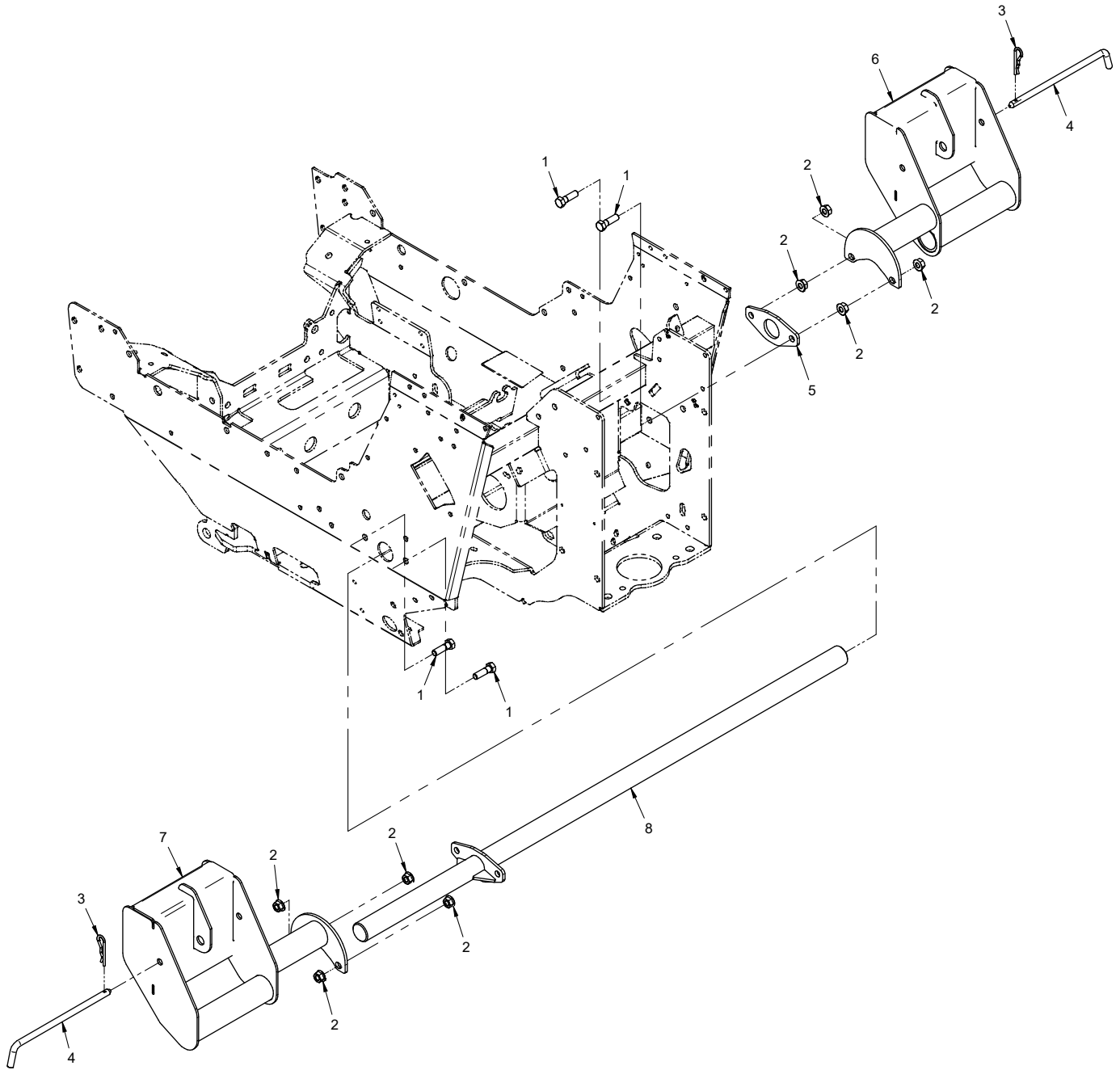
OPTIONS

70.39.56116 Rear Counterweight Bar

REF.	PART NO.	DESCRIPTION	QTY.
1	90.0606	BOLT, 3/8-16 USS X 3/4	2
2	95.06	WASHER, FLAT 3/8 SAE	2
3	99.SF06	NUT, SRF 3/8-16 USS	2
4	02.HP0420	HAIRPIN, 1/8 X 2 1/2	1
5	64.1040	PIN, WEIGHT SECURE 21"L	1
6	62.0955	FRAME, REAR WT BRACKET	1

OPTIONS

ILLUSTRATED DRAWING 70.4137 Mid Weight Bar 4500 Kit



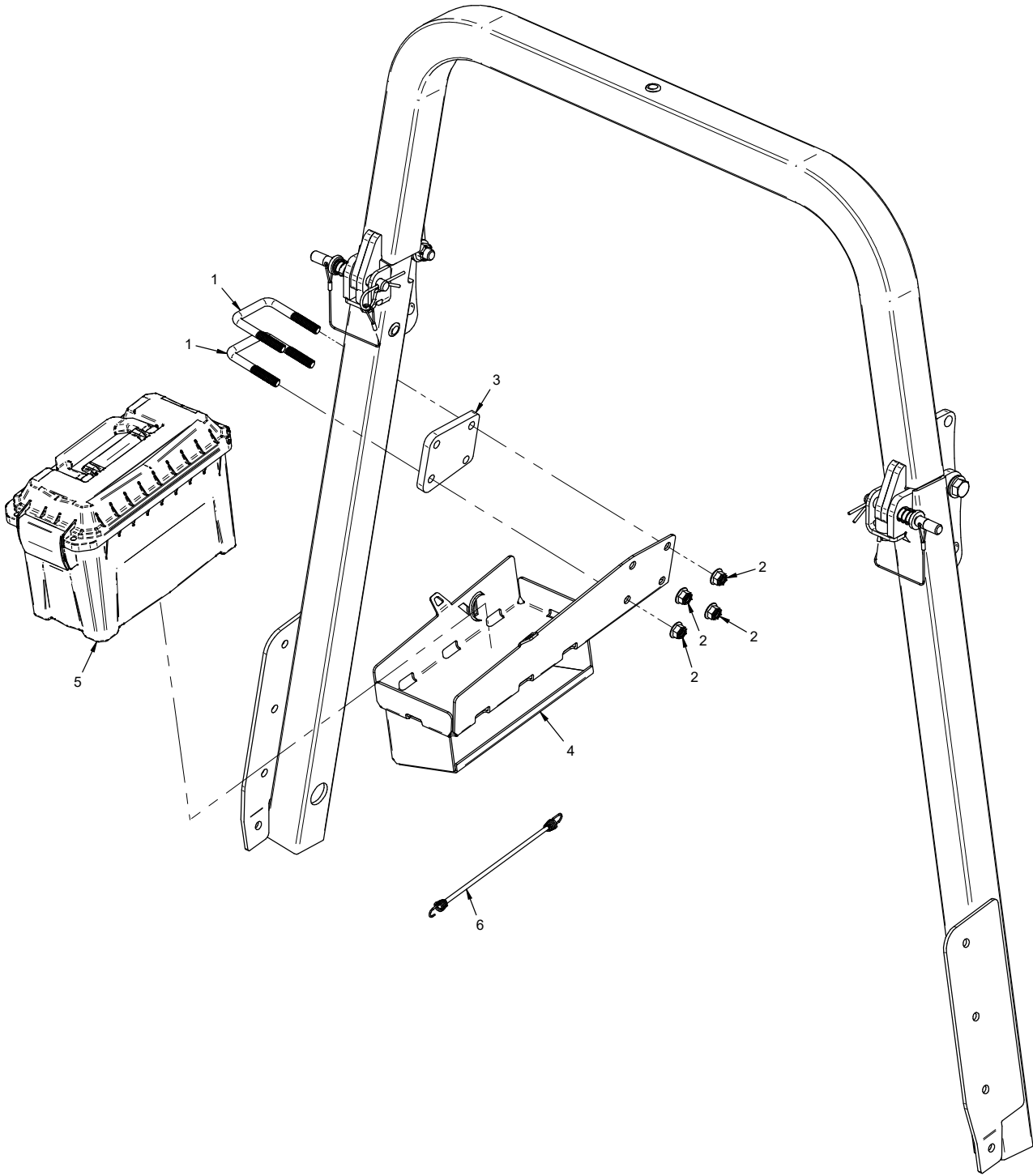
OPTIONS

70.4137 Mid Weight Bar 4500 Kit

REF.	PART NO.	DESCRIPTION	QTY.
1	90.0610	.Bolt, 3/8-16 USS x 1-1/4	4
2	99.SF06	.Nut, SRF 3/8-16 USS	8
3	02.HP0416	.Hairpin, 1/8 X 2	2
4	64.0761	.Pin, Weight Secure 7.3" Usable	2
5	64.1029	.Plate, Rear Clamp Crossbar MT	1
6	62.1449	.Frame, Weight Mid Right	1
7	62.1448	.Frame, Weight Mid Left	1
8	42.0455	.Shaft, Rear Anchor Mount	1

OPTIONS

ILLUSTRATED DRAWING 70.4184 Tool Box Mount, Small



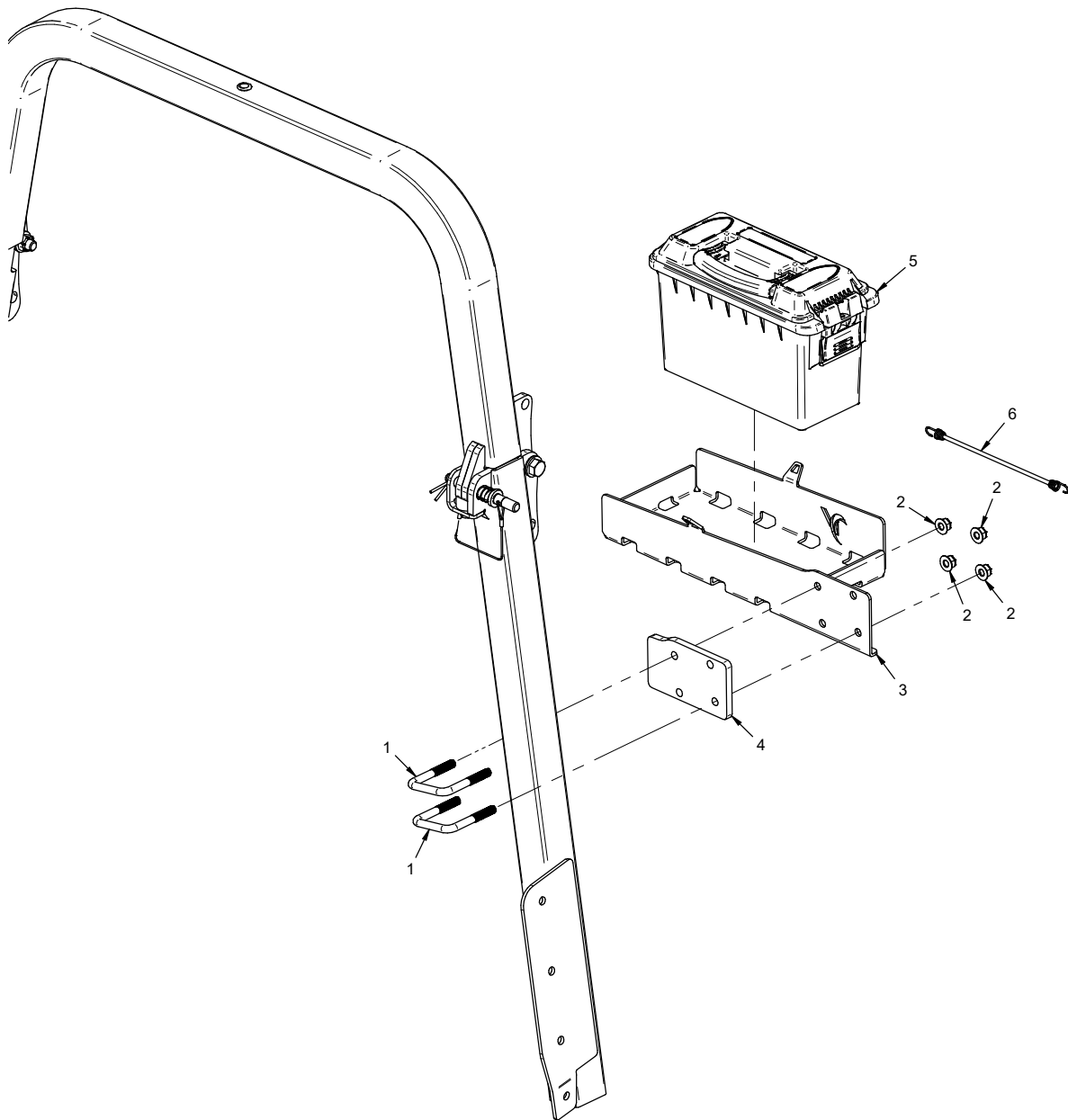
OPTIONS

70.4184 Tool Box Mount, Small

REF.	PART NO.	DESCRIPTION	QTY.
1	11.0053	U-Bolt, 3/8-16 2-1/16" ID SQ Bend	2
2	99.E0136	Nut, Nylon Locking Flange 3/8-16	4
3	KN-1332	Spacer, Small Toolbox Frame	1
4	KN-6039	Frame, Toolbox Small w/Tray	1
5	47.0507	Toolbox, Side ROPS	1
6	47.0517	Strap, Bungee Cord 12"	1

OPTIONS

ILLUSTRATED DRAWING 70.4185 Tool Box Mount, Large



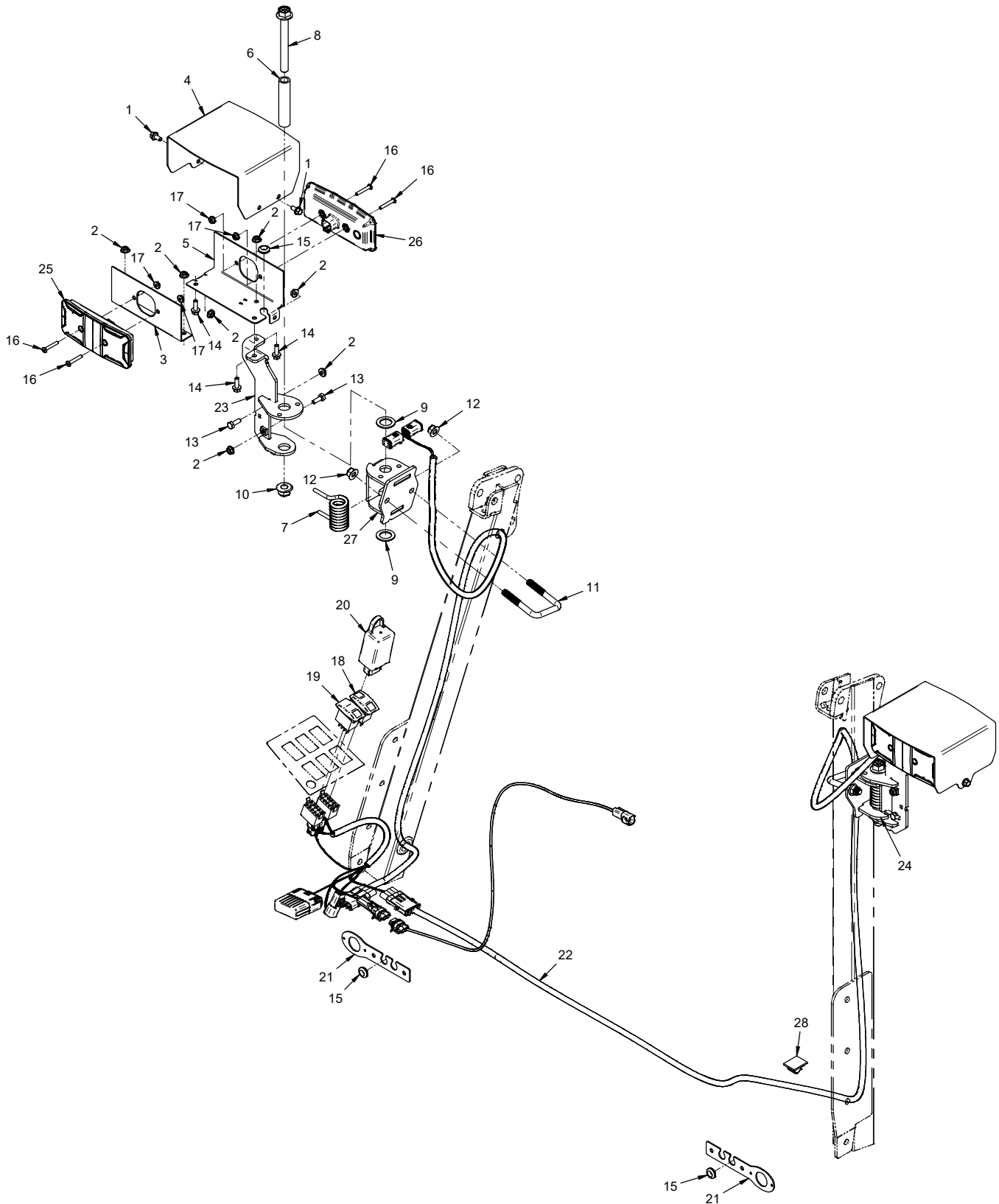
OPTIONS

70.4185 Tool Box Mount, Large

REF.	PART NO.	DESCRIPTION	QTY.
1	11.0053	U-Bolt, 3/8-16 2-1/16" ID SQ Bend	2
2	99.E0136	Nut, Nylon Locking Flange 3/8-16	4
3	KN-1307	Frame, Toolbox Large	1
4	KN-1411	Spacer, Large Toolbox Frame	1
5	47.0506	Toolbox, Rear ROPS	1
6	47.0518	Strap, Bungee Cord 18"	1

OPTIONS

ILLUSTRATED DRAWING 70.4195 Directional/Hazard ECE Kit



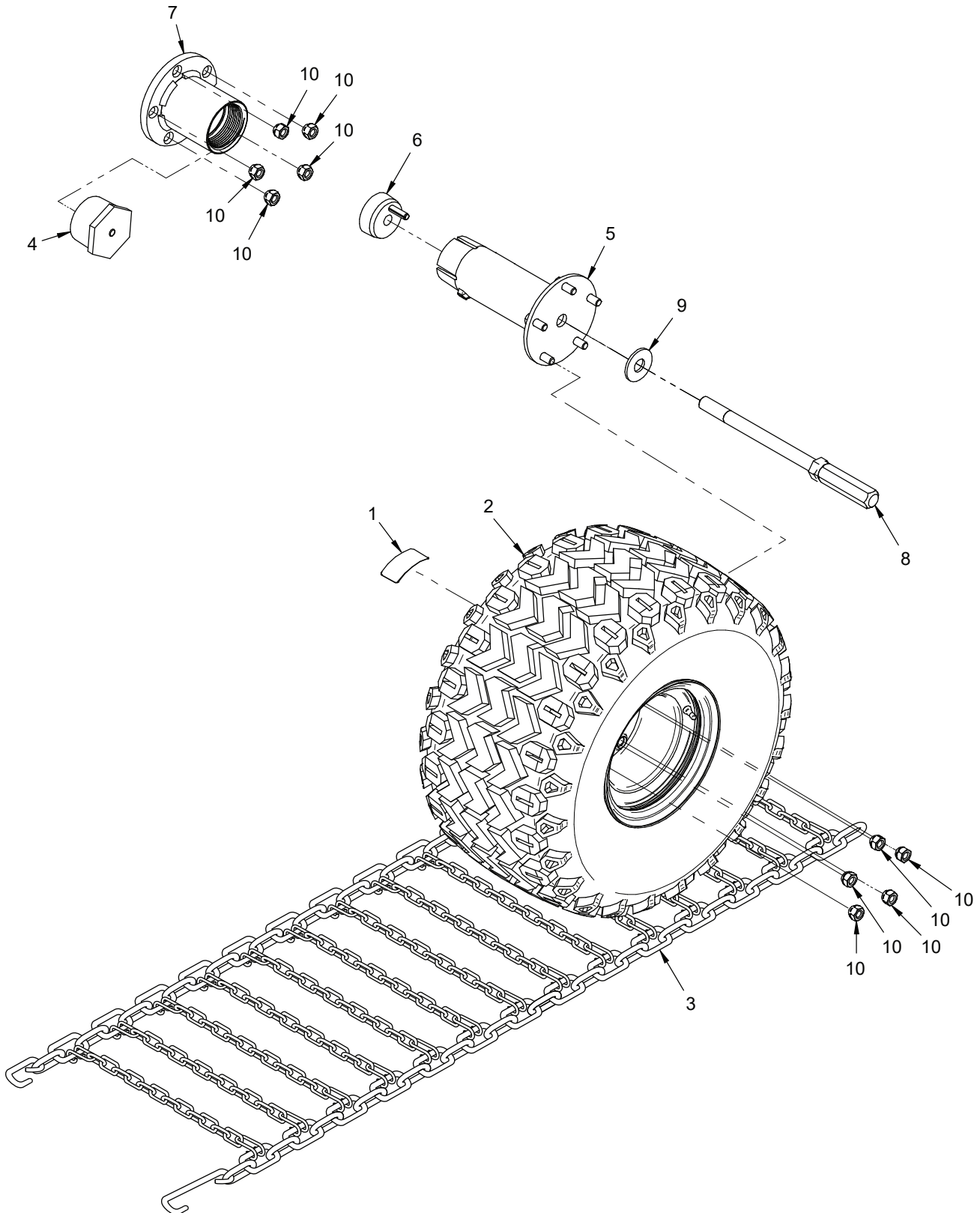
OPTIONS

70.4195 Directional/Hazard ECE Kit

REF.	PART NO.	DESCRIPTION	QTY.
1	99.SF0404-1	.Bolt, SMF 1/4-20 X 1/2.	4
2	99.SF04	.Nut, SRF 1/4-20 USS	14
3	KN-1496	.Mount, Light.	2
4	KN-1494	.Cover, Directional Hazard.	2
5	KN-1495	.Mount, Light - Base.	2
6	KN-1506	.Bushing, Pivot	2
7	41.0141	.Spring, Torsion Centering	2
8	99.SF0836-1	.BOLT, SMF 1/2-13 X 4-1/2.	2
9	05.0197	.Washer, Nylon .812 ID x 1.25 OD x .080.	4
10	99.E0119	.Locknut, Nylon - Flange 1/2-13	2
11	11.0053	.U-Bolt, 3/8-16 2-1/16" ID SQ Bend	2
12	99.E0136	.Nut, Nylon Locking Flange 3/8-16.	4
13	90.0406	.Bolt, 1/4-20 USS x 3/4"	4
14	99.SF0406-1	.Bolt, SMF 1/4-20 X 3/4.	6
15	05.0136	.Grommet, 7/16ID, 3/4OD, 1/4Thk.	4
16	99.K0144	.Machine Screw, #10-32 X 1-1/4	8
17	99.E0035	.Nut, SF #10-32	8
18	31.0080	.Switch, Rocker On/Off/On - Lit	1
19	31.0081	.Switch, Rocker On/Off - Lit.	1
20	35.0176	.Module, Directional/Hazard.	1
21	KN-1281	.Cover, Wire Harness Access.	2
22	32.0254	.Harness, Wire Road Kit	1
23	KN-6072	.Mount, Light Arm	2
24	KN-6073	.Mount, Roll Bar Left	1
25	33.0091	.Light, Front Turn/Hazard	2
26	33.0092	.Light, Rear Tail/Stop/Turn/Hazard	2
27	KN-6071	.Mount, Roll Bar Right	1
28	30.0217	.Clamp, Wire Mt Adh. 1/2 Gray.	1
29	32.0253	.Harness, 4500 Wire Light Conversion (Not Shown)	1

OPTIONS

ILLUSTRATED DRAWING 70.4159 Dual Tire Chain Kit



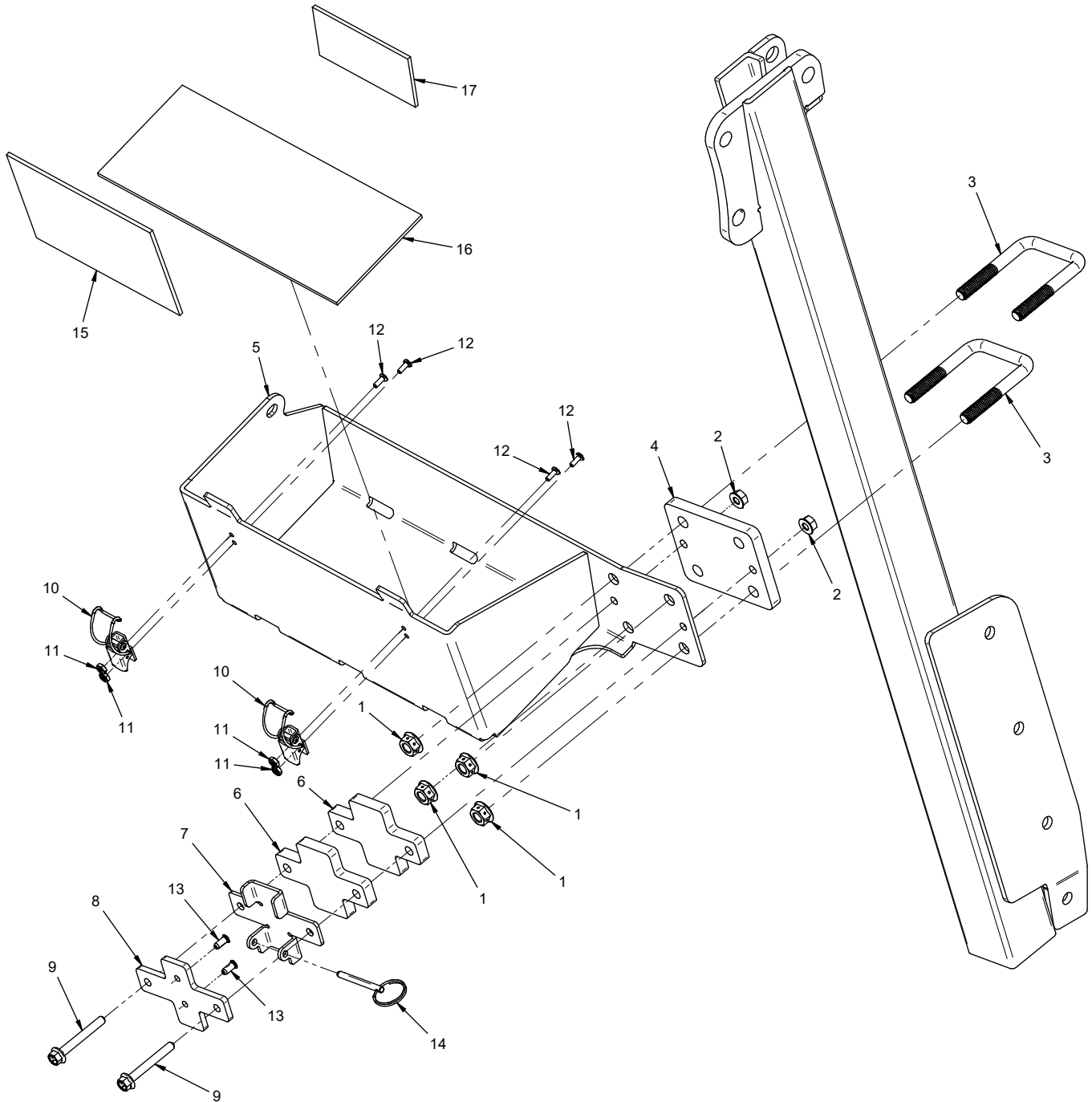
OPTIONS

70.4159 Dual Tire Chain Kit

REF.	PART NO.	DESCRIPTION	QTY.
1	00.0645	Decal, Hub Side	4
2	53.0209	Wheel, Asm 20x10x8 AT	4
3	53.0212	Tire Chain, 20x10x8	4
4	05.0195	Plug, 2-1/2 NPT M, Black ABS	4
5	50.0061	Extension, Dual Wheel Kt	4
6	50.0063	Cone, 3/4 Drawcone Duals	4
7	50.0190	Hub, Dual Wheel	4
8	64.0672	Bolt, 3/4 Drawbolt Duals	4
9	94.12	Washer, Flat 3/4 USS	4
10	99.E0044-B20	Nut, Lug 7/16-20 (20 Pkg)	2

OPTIONS

ILLUSTRATED DRAWING Radio Mount (Kit #70.4212)



OPTIONS

Radio Mount (Kit #70.4212)

REF.	PART NO.	DESCRIPTION	QTY.
1	99.E0082	Nut, Locking Flange 3/8-16	4
2	99.E0101	Nut, Locking Flange 1/4-20	2
3	11.0053	U-Bolt, 3/8-16 2-1/16" ID SQ Bend	2
4	GR-1213	Plate, Reinforcement, Remote Mount	1
5	GR-1203	Holder, R/C Remote	1
6	GR-1216	Spacer, Radio Mount	2
7	GR-1212	Bracket, C-Strap Mount Guide	1
8	GR-1214	Mount, Dowels; C-Strap Carrier	1
9	99.SF0416-1	Bolt, SMF 1/4-20 X 2	2
10	47.0538	Latch, Draw	2
11	99.E0162	Locknut, Nylon #6-32, Thin	4
12	99.K0101	Machine Screw, #6-32 X 3/8	4
13	03.0045	Pin, Captive Dowel, 5 x 12mm	2
14	03.0044	Pin, Ball 3/16 x 1.5	1
15	44.0442	Rubber, EPDM 4 x 6 x .125"	1
16	44.0443	Rubber, EPDM 4 x 10 x .125"	1
17	44.0444	Rubber EPDM 2 x 4 x .125"	1