

Parts Manual

SB350

Brine System

Europe CE





500 Venture Drive
Orrville Oh 44667
www.ventrac.com

Serial Number Description



Notes

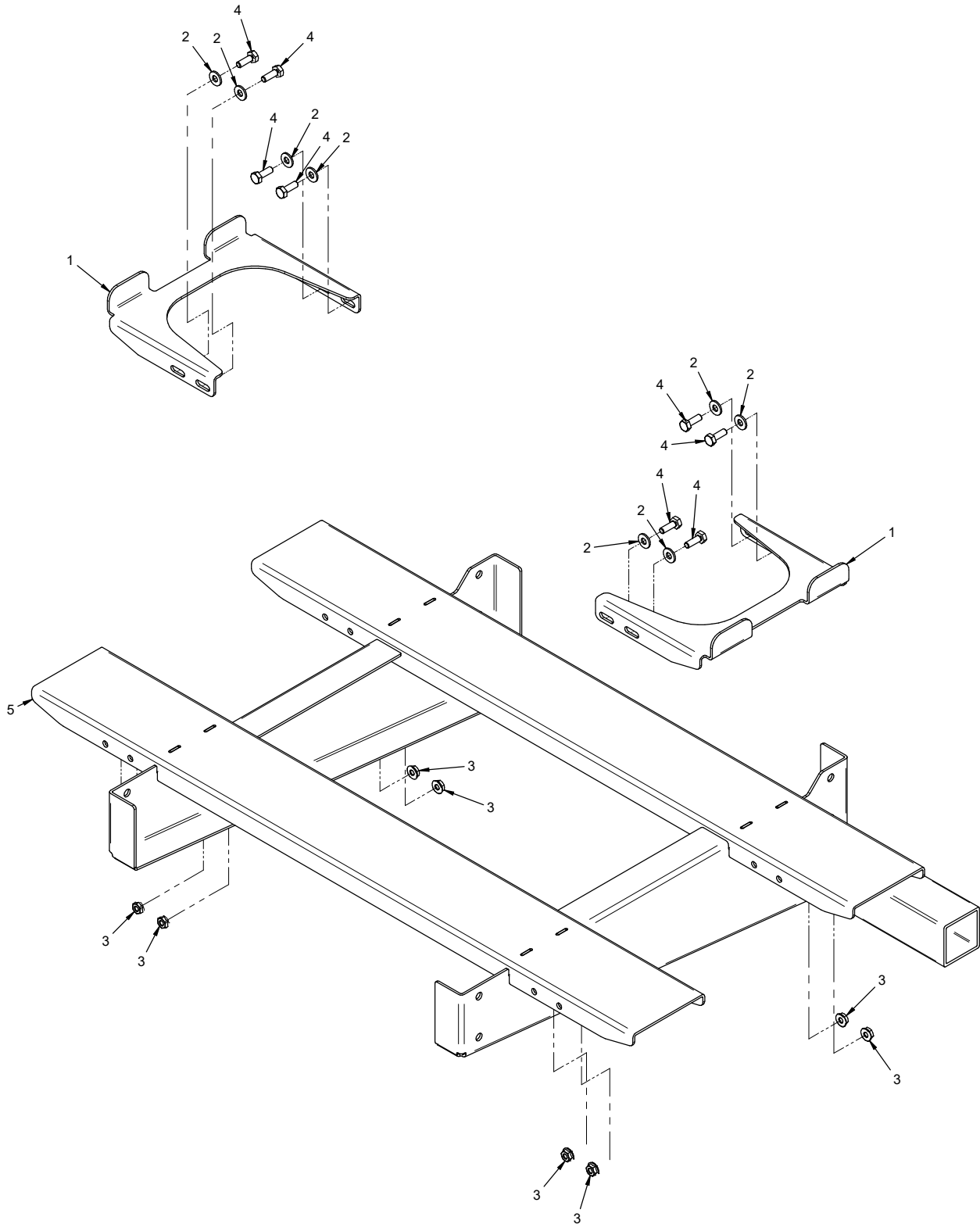
- If any component requires replacement, use only original Ventrac replacement parts.
- When ordering new components, be sure to order all required safety decals. All current safety decals must be affixed to the replacement components prior to installation of the component.

TABLE OF CONTENTS

PARTS	PAGE 4
Tank Base Frame Mount.....	4
Hitch.....	6
Brine Tank & Mounting Straps.....	8
Brine Control Valves, Intake & Return Hose Circuit.....	10
Brine Boom.....	12
Spray Wand.....	14
 OPTIONS	 PAGE 16
70.8261 Kit, Hose Reel.....	16

PARTS

ILLUSTRATED DRAWING Tank Base Frame Mount



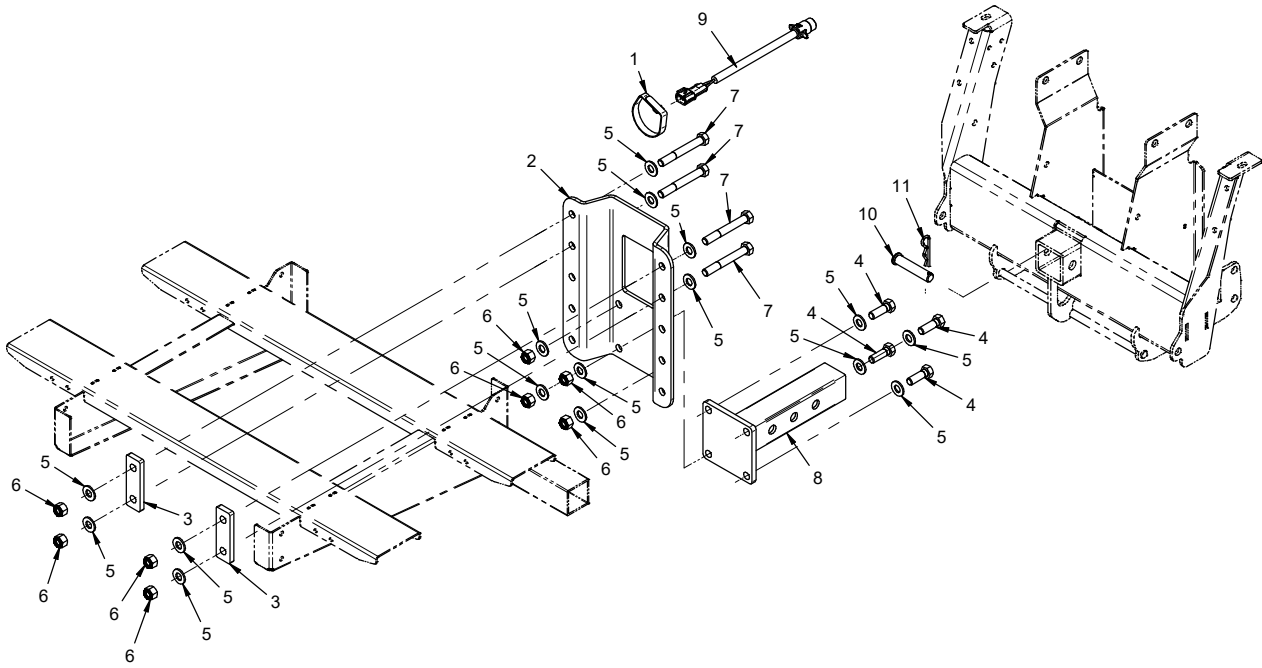
PARTS

Tank Base Frame Mount

REF.	PART NO.	DESCRIPTION	QTY.
1	SB-1019	Plate, Tank End	2
2	95.04-3	Washer, Flat 1/4 SAE SS	8
3	99.SF04-3	Nut, SRF 1/4-20 USS Stainless	8
4	90.0406-3	Bolt, 1/4-20 USS x 3/4 SS	8
5	SB-6005	Frame, Base	1

PARTS

ILLUSTRATED DRAWING Hitch



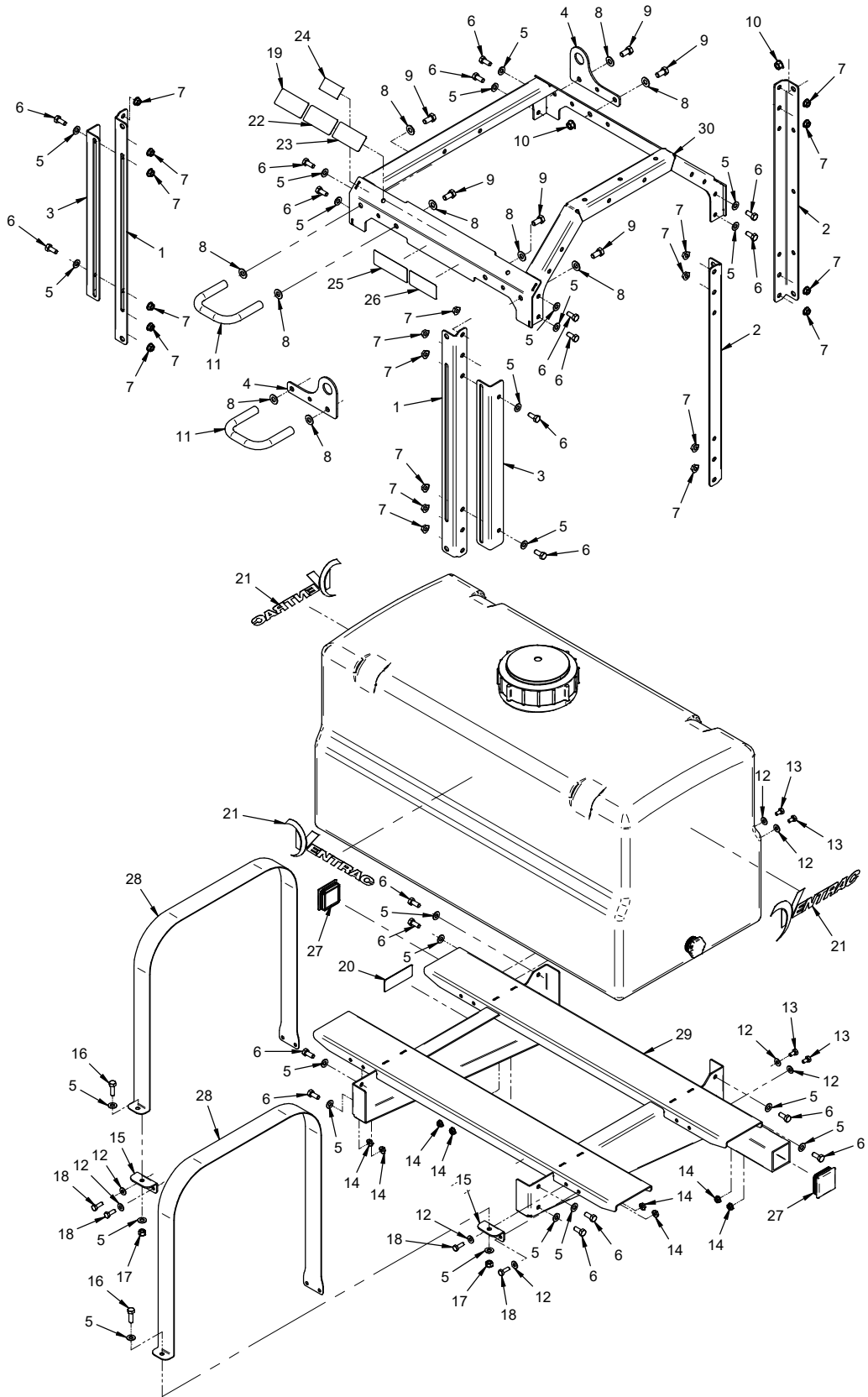
PARTS

Hitch

REF.	PART NO.	DESCRIPTION	QTY.
1	30.0411	Velcro, Cable Tie	1
2	64.1849	Mount, Spreader Hitch	1
3	64.1850	Plate, Spreader Hitch	2
4	90.0812-3	Bolt, 1/2-13 USS x 1-1/2 SS	4
5	95.08-3	Washer, Flat 1/2 SAE SS	16
6	99.A08N-3	Locknut, Nylon 1/2-13 USS SS	8
7	90.0830-3	Bolt, 1/2-13 USS x 3-3/4 SS	4
8	62.1412	Hitch, SA Spreader 4000 Series	1
9	32.0146	Harness, Wire Conn. 4 Pin	1
10	03.1024	Clevis Pin, 5/8 x 3 Oal ZP	1
11	02.HP0420	Hairpin, 1/8 x 2 9/16 ZP	1

PARTS

ILLUSTRATED DRAWING Brine Tank & Mounting Straps



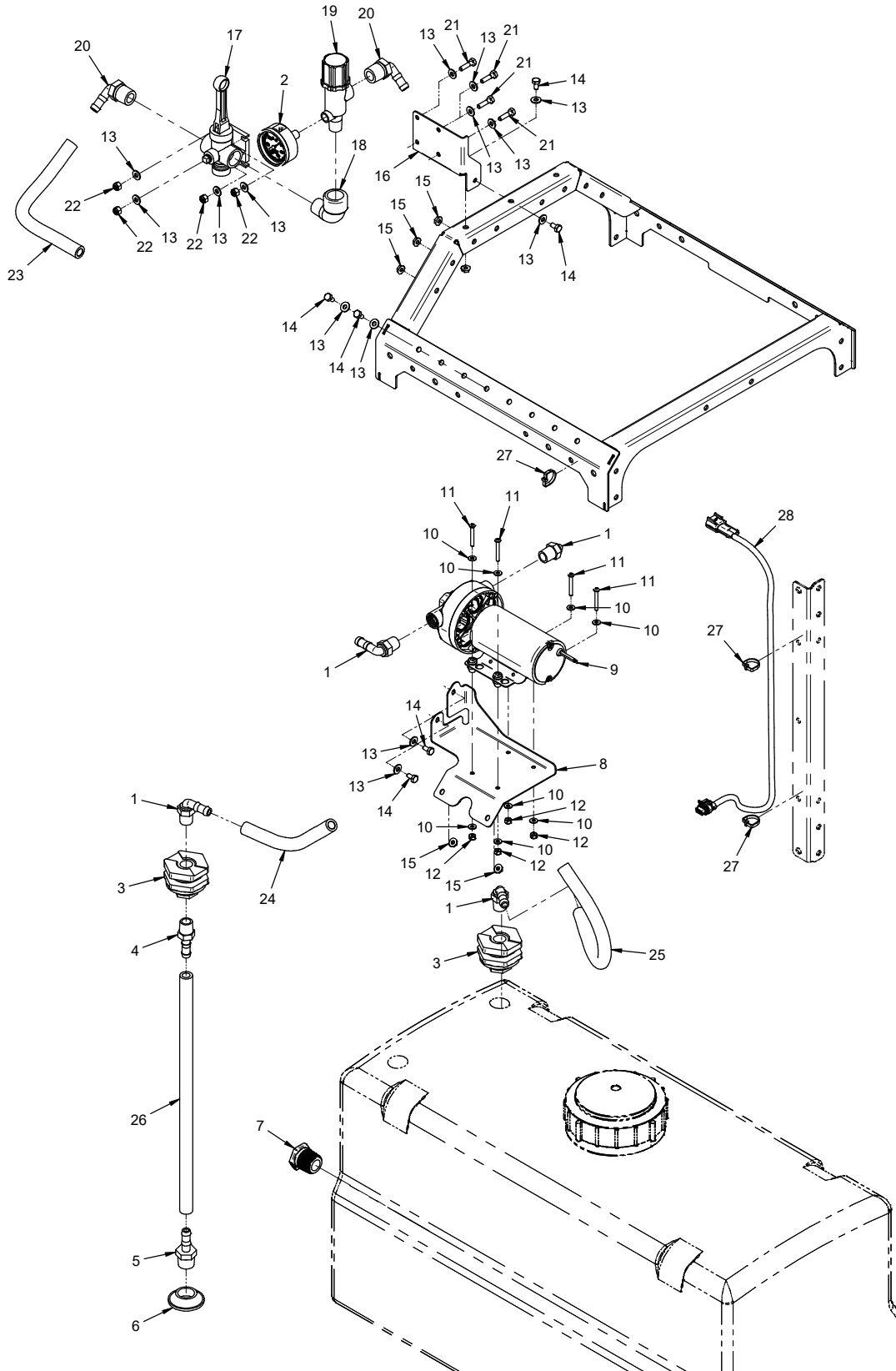
PARTS

Brine Tank & Mounting Straps

REF.	PART NO.	DESCRIPTION	QTY.
1	SB-1037	Post, Frame Rear	2
2	SB-1071	Post, Frame Front	2
3	SB-1074	Post, Vertical Adjustment	2
4	SB-1085	Plate, Lift	2
5	95.05-3	Washer, Flat 5/16 SAE SS	24
6	90.0506-3	Bolt, 5/16-18 USS x 3/4 SS	20
7	99.SF05-3	Nut, SRF 5/16-18 USS Stainless	20
8	95.06-3	Washer, Flat 3/8 SAE SS	11
9	90.0606-3	Bolt, 3/8-16 USS x 3/4SS	7
10	99.SF06-3	Nut, SRF 3/8-16 USS Stainless	3
11	NT-1367	Grab Bar, Aux Controls	2
12	95.04-3	Washer, Flat 1/4 SAE SS	8
13	90.0404-3	Bolt, 1/4-20 USS x 1/2 SS	4
14	99.SF04-3	Nut, SRF 1/4-20 USS Stainless	8
15	SB-1077	Bracket, Strap Mount	2
16	90.0508-3	Bolt, 5/16-18 USS x 1 SS	2
17	99.A05N-3	Locknut, Nylon 5/16-18 SS	2
18	90.0406-3	Bolt, 1/4-20 USS x 3/4 SS	4
19	00.0619	Decal, Read Operator's Manual	1
20	N/A	Plate, Ventrac Serial Number	1
21	00.0776	Decal, Ventrac Black	3
22	00.0786	Decal, Tipping Hazard	1
23	00.0785	Decal, Fire Hazard	1
24	00.0770	Decal, Built in the USA	1
25	00.0787	Decal, Thrown Object Hazard (Spray)	1
26	00.0784	Decal, Do Not Enter Tank	1
27	05.0213	Plug, Sq. for 2x10-14ga Tube	2
28	SB-1076	Strap, Tank Mount	2
29	SB-6005	Frame, Base	1
30	SB-6014	Frame, Upper	1

PARTS

ILLUSTRATED DRAWING Brine Control Valves, Intake & Return Hose Circuit



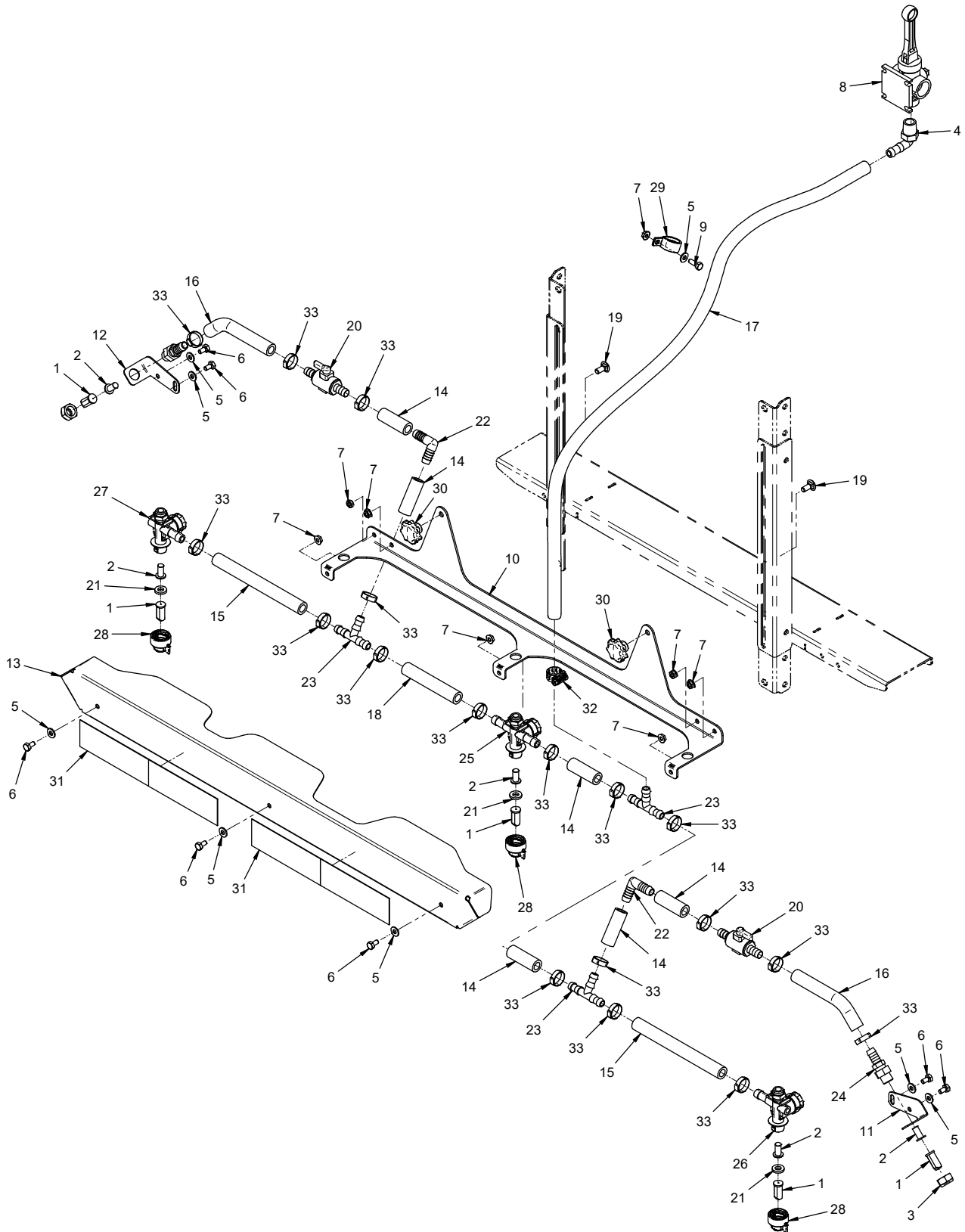
PARTS

Brine Control Valves, Intake & Return Hose Circuit

REF.	PART NO.	DESCRIPTION	QTY.
1	29.0107	.Fitting, 90 Elbow 1/2 MPT x 1/2 Barb	4
2	35.0157	.Gauge, Pressure 100 PSI	1
3	29.0105	.Fitting, Tank 1/2" FPT	2
4	29.0109	.Fitting, St 1/2 MPT x 1/2 Barb	1
5	29.0125	.Fitting, St 3/4 MP x 1/2 Barb	1
6	47.0457	.Strainer, Suction 3/4" FPT 50 Mesh	1
7	05.0212	.Plug, Tank 1"	1
8	SB-1034	.Mount, Pump	1
9	37.0074	.Pump, 12V Bypass	1
10	99.B0126	.Washer, Flat #10 SS	8
11	99.K0154	.Machine Screw, #10-32 X 1-1/2 SS	4
12	99.A1032N	.Locknut, Nylon 10-32 Stainless	4
13	95.04-3	.Washer, Flat 1/4 SAE SS	14
14	90.0404-3	.Bolt, 1/4-20 USS x 1/2 SS	6
15	99.SF04-3	.Nut, SRF 1/4-20 USS Stainless	6
16	SB-1013	.Mount, Valve Manifold	1
17	23.0179	.Valve, On/Off Control w/ Bypass	1
18	29.0111	.Fitting, Street Elbow 3/4"	1
19	23.0180	.Valve, Pressure Regulating Relief	1
20	29.0106	.Fitting, 90 Elbow 3/4 MPT x 1/2 Barb	2
21	90.0408-3	.Bolt, 1/4-20 USS x 1 SS	4
22	99.A04N-3	.Locknut, Nylon 1/4-20 USS SS	4
23	27.0005-10IN	.Hose, EPDM Black 1/2" ID x 10"	1
24	27.0005-8.5IN	.Hose, EPDM Black 1/2" ID x 8-1/2"	1
25	27.0005-18IN	.Hose, EPDM Black 1/2" ID x 18"	1
26	27.0005-18IN	.Hose, EPDM Black 1/2" ID x 18"	1
27	30.0037	.Tyton Tie, #50 .18 x 8 Black	3
28	32.0258	.Harness, Wire SB Brine Sys	1

PARTS

ILLUSTRATED DRAWING Brine Boom



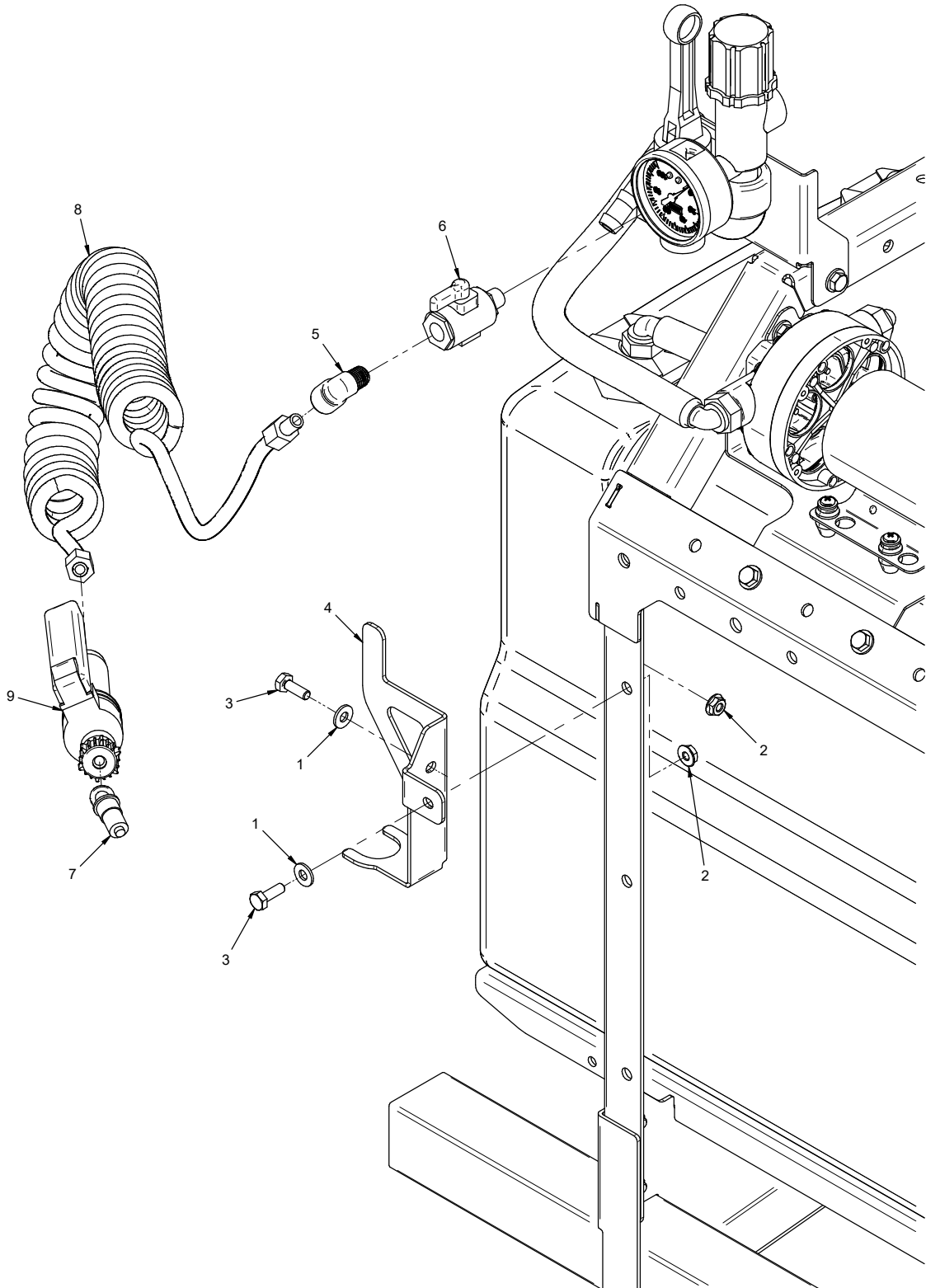
PARTS

Brine Boom

REF.	PART NO.	DESCRIPTION	QTY.
1	47.0439	Nozzle, 3 Hole 05 Orifice	5
2	47.0434	Nozzle Strainer, Check Valve	5
3	47.0435	Cap, Nozzle	2
4	29.0107	Fitting, 90 Elbow 1/2 MPT x 1/2 Barb	1
5	95.04-3	Washer, Flat 1/4 SAE SS	8
6	90.0404-3	Bolt, 1/4-20 USS x 1/2 SS	7
7	99.SF04-3	Nut, SRF 1/4-20 USS Stainless	8
8	23.0179	Valve, On/Off Control w/Bypass	1
9	90.0406-3	Bolt, 1/4-20 USS x 3/4 SS	1
10	SB-1078	Boom, Nozzle Mount Fixed	1
11	SB-1079	Bracket, Nozzle Mount Right	1
12	SB-1080	Bracket, Nozzle Mount Left	1
13	SB-1082	Cover, Fixed Boom	1
14	27.0005-2.25IN	Hose, EPDM Black 1/2" ID x 2-1/4"	6
15	27.0005-7.5IN	Hose, EPDM Black 1/2" ID x 7-1/2"	2
16	27.0005-6IN	Hose, EPDM Black 1/2" ID x 6"	2
17	27.0005-40IN	Hose, EPDM Black 1/2" ID x 40"	1
18	27.0005-4.5IN	Hose, EPDM Black 1/2" ID x 4-1/2"	1
19	97.0506-3	Bolt, Carriage 5/16-18 X 3/4 SS	2
20	23.0229	Valve, Micro Ball 1/2" Barb	2
21	44.0434	Gasket, EPDM for QuickJet Caps	3
22	29.E9008N	Fitting, 1/2" Barb 90 Elbow	2
23	29.TE08PP	Fitting, M Tee 1/2" Hose Barb	3
24	47.0523	Nozzle Body, 11/16 x 1/2 Single Barb	2
25	23.0228	Valve, Check DOUBLE Quickjet	1
26	23.0226	Valve, Check LEFT Quickjet	1
27	23.0227	Valve, Check RIGHT Quickjet	1
28	47.0524	Cap, Quickjet, Brown, Less Gasket	3
29	11.0092	Clamp, Cushioned 7/8" SS	1
30	47.0528	Knob, 7 Lobe 5/16-18 SS Insert	2
31	56.0072-12IN	Tape, Conspicuity (Reflective) x 12"	2
32	11.0094	Clamp, Hose SS 3/8 to 7/8	1
33	11.0095	Clamp, Stepless 0.76" to 0.88" SS	18

PARTS

ILLUSTRATED DRAWING Spray Wand



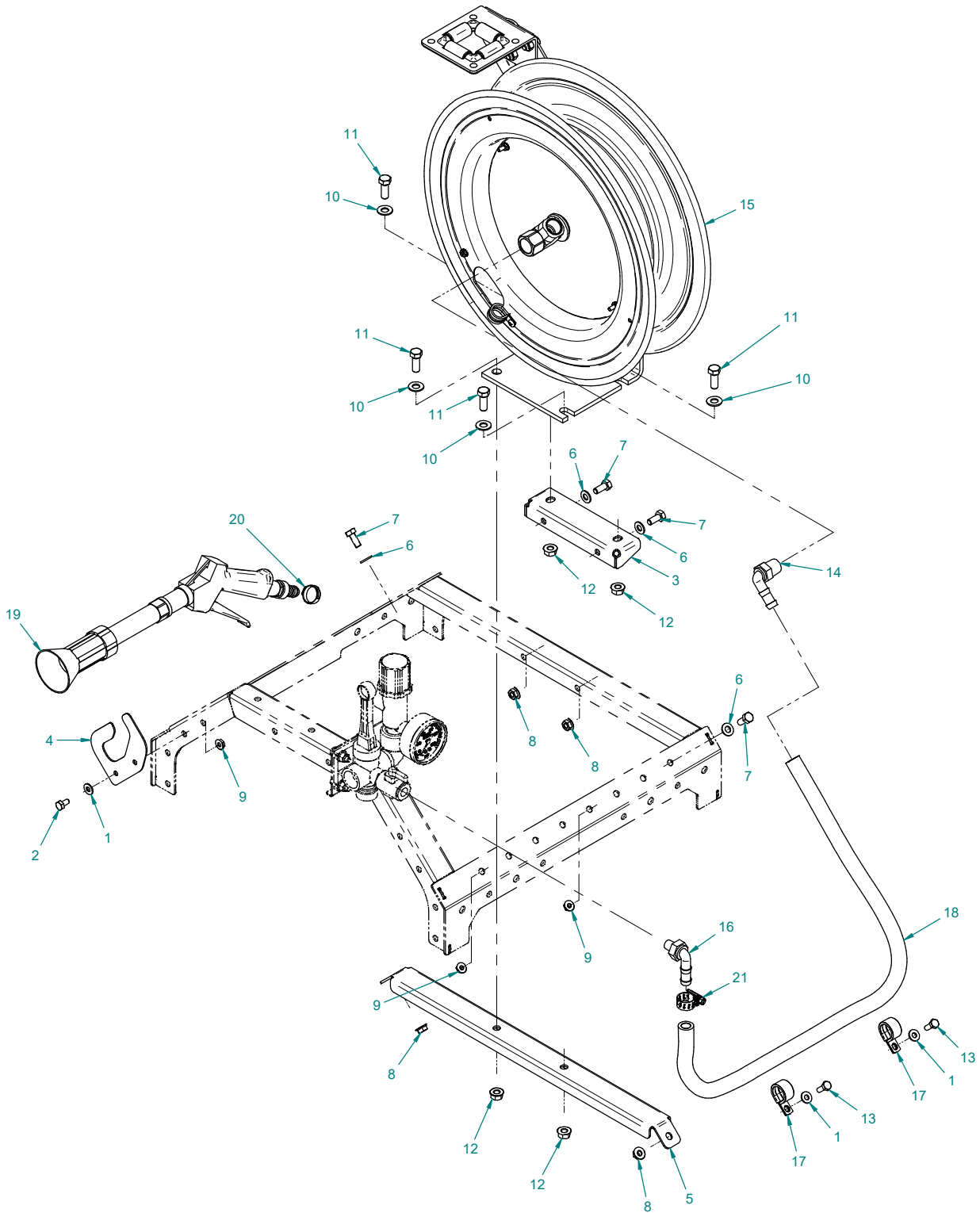
PARTS

Spray Wand

REF.	PART NO.	DESCRIPTION	QTY.
1	95.04-3	Washer, Flat 1/4 SAE SS	2
2	99.SF04-3	Nut, SRF 1/4-20 USS Stainless	2
3	90.0406-3	Bolt, 1/4-20 USS x 3/4 SS	2
4	SB-1088	Mount, Spray Wand	1
5	29.0133	Fitting, 90 Elbow 1/4"	1
6	23.0187	Valve, Micro Ball 1/4" FP x MP	1
7	47.0456	Nozzle, #12 Adjustable Spray	1
8	27.0008	Hose Asm, 1/4" X 10' Coiled Clear Blue	1
9	47.0455	Spray Gun W/O Nozzle	1

OPTIONS

ILLUSTRATED DRAWING 70.8261 Kit, Hose Reel



OPTIONS

70.8261 Kit, Hose Reel

REF.	PART NO.	DESCRIPTION	QTY.
1	95.04-3	Washer, Flat 1/4 SAE SS	3
2	90.0404-3	Bolt, 1/4-20 USS x 1/2 SS	1
3	SB-1032	Mount, Hose Reel	1
4	SB-1083	Mount, Spray Wand	1
5	SB-1084	Mount, Hose Reel Inner	1
6	95.05-3	Washer, Flat 5/16 SAE SS	4
7	90.0506-3	Bolt, 5/16-18 USS x 3/4 SS	4
8	99.SF05-3	Nut, SRF 5/16-18 USS Stainless	4
9	99.SF04-3	Nut, SRF 1/4-20 USS Stainless	3
10	95.06-3	Washer, Flat 3/8 SAE SS	4
11	90.0608-3	Bolt, 3/8-16 USS x 1 SS	4
12	99.SF06-3	Nut, SRF 3/8-16 USS Stainless	4
13	90.0406-3	Bolt, 1/4-20 USS x 3/4 SS	2
14	29.0107	Fitting, 90 Elbow 1/2 MPT x 1/2 Barb	1
15	47.0525	Hose Reel, 1/2" x 25' w/ Spring	1
16	29.0129	Fitting, 90 Elbow 1/4 MPT x 1/2 Barb	1
17	11.0092	Clamp, Cushioned 7/8" SS	2
18	27.0005-30IN	Hose, EPDM Black 1/2" ID x30"	1
19	47.0526	Spray Wand, 15"	1
20	11.0095	Clamp, Stepless 0.76" to 0.88" SS	1
21	11.0094	Clamp, Hose SS 3/8 to 7/8	1