

# SE530

V-Blade





500 Venture Drive  
Orrville Oh 44667  
www.ventrac.com

### Serial Number Description



### Notes

- If any component requires replacement, use only original Ventrac replacement parts.
- When ordering new components, be sure to order all required safety decals. All current safety decals must be affixed to the replacement components prior to installation of the component.

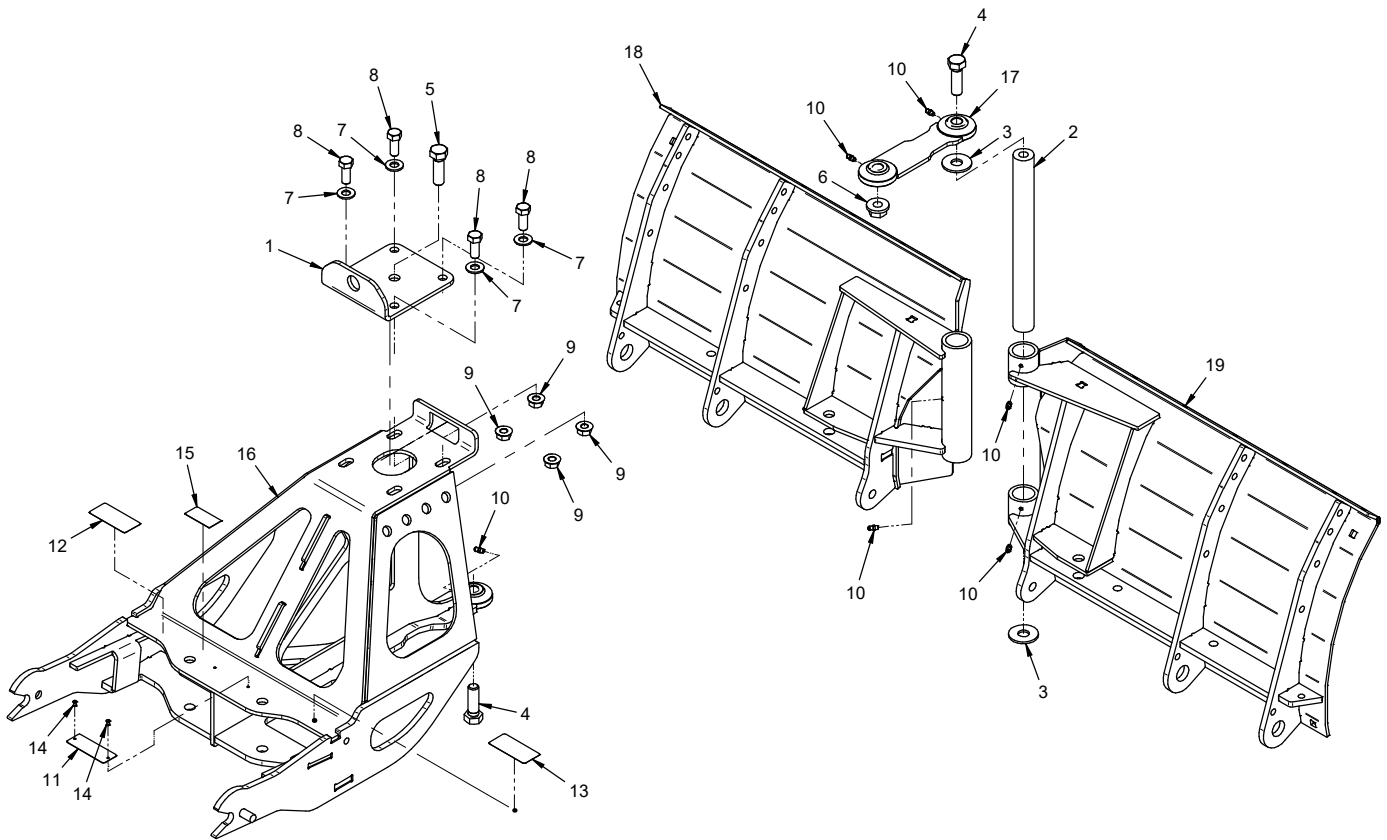
# TABLE OF CONTENTS

---

<b>PARTS</b>	<b>PAGE 4</b>
Hitch Frame Mount & Decals .....	4
Cutting Edge & Trip Edge .....	6
Hydraulics.....	8
<b>OPTIONS</b>	<b>PAGE 10</b>
70.8247 6 IN Extension Kit .....	10
70.8248 Polyurethane Edge Kit.....	12
70.8249 Polyurethane Edge & 6 IN Extension Kit.....	14
70.8250 Snow Containment Kit .....	16

# PARTS

## ILLUSTRATED DRAWING Hitch Frame Mount & Decals



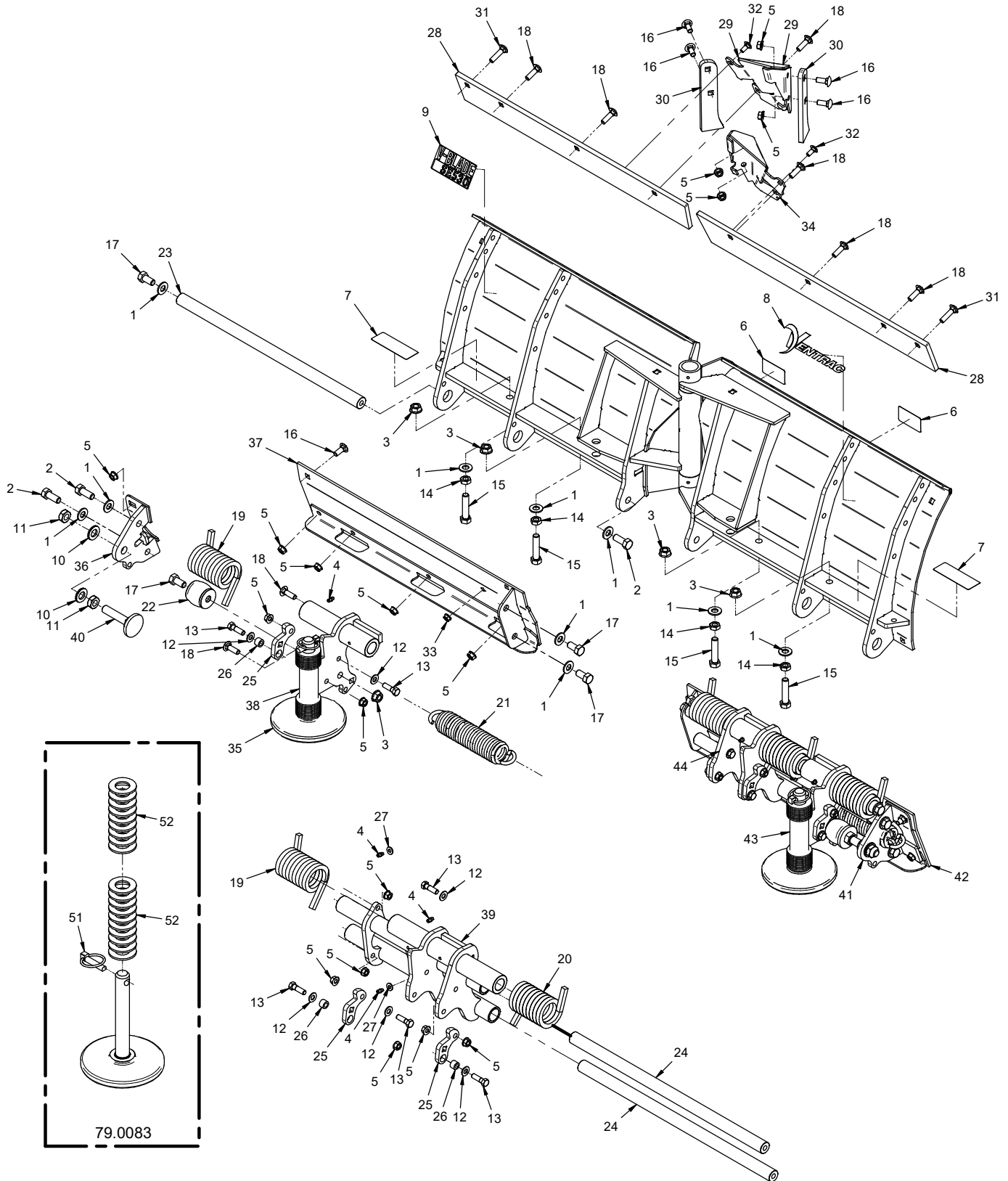
# PARTS

## Hitch Frame Mount & Decals

REF.	PART NO.	DESCRIPTION	QTY.
1	SE-1064	Plate, Pivot Link Mount	1
2	SE-1037	Shaft, Center Pivot	1
3	94.10	Washer, Flat 5/8 USS	2
4	91.1016	Bolt, 5/8-18 SAE x 2	2
5	90.1016	Bolt, 5/8-11 USS x 2	1
6	99.E0094	Locknut, 5/8-11 Flanged Stover	1
7	95.08	Washer, Flat 1/2 SAE	4
8	90.0810	Bolt, 1/2-13 USS x 1-1/4	4
9	99.SF08	Nut, SRF 1/2-13 USS	4
10	29.GF0001	Grease Ftg, 1/4 SAE ST	6
11	N/A	Plate, Ventrac Serial Number	1
12	00.0619	Decal, Read Operator's Manual	1
13	00.0621	Decal, High Pressure Fluid Hazard	1
14	04.0003	Rivet, Pop 1/8 X 3/8 SS	2
15	00.0770	Decal, Built in the USA	1
16	SE-6006	Frame, Hitch Main	1
17	ND-6004	Link, Upper Pivot	1
18	SE-6000	Frame, Left Wing	1
19	SE-6003	Frame, Right Wing	1

# PARTS

## ILLUSTRATED DRAWING Cutting Edge & Trip Edge



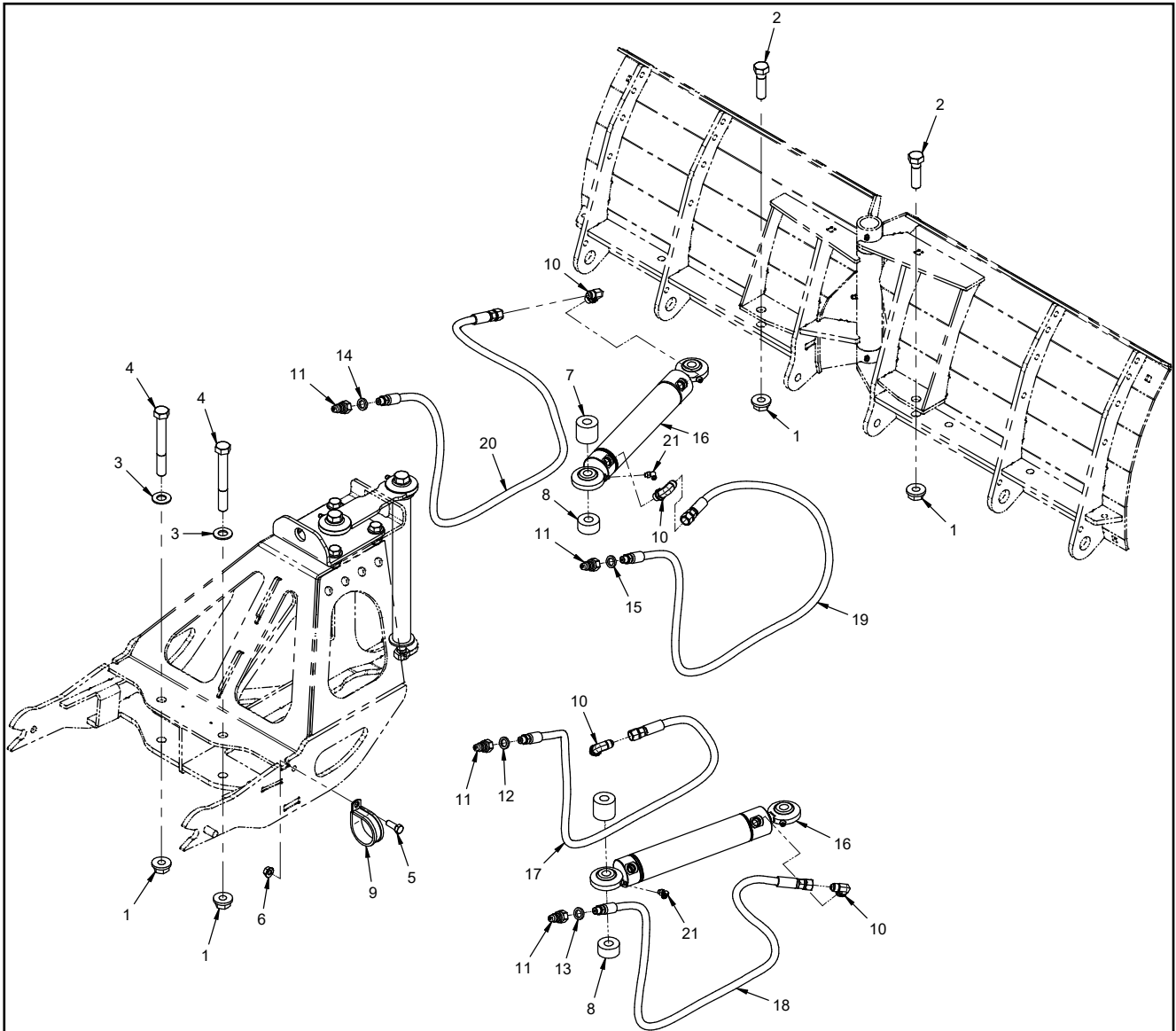
# PARTS

## Cutting Edge & Trip Edge

REF.	PART NO.	DESCRIPTION	QTY.
1	95.08	.Washer, Flat 1/2 SAE	16
2	90.0810	.Bolt, 1/2-13 USS x 1-1/4	6
3	99.SF08	.Nut, SRF 1/2-13 USS	6
4	29.GF0001	.Grease Ftg, 1/4 SAE ST	8
5	99.SF06	.Nut, SRF 3/8-16 USS	30
6	00.0364	.Decal, Warning Pinch Point	2
7	00.0620	.Decal, Pinching or Crushing Hazard	2
8	00.0688	.Decal, Ventrac White	1
9	00.0763	.Decal, SE530	1
10	96.10-2	.Washer, Nordlock 5/8"	4
11	99.E0076	.Nut, Jam 5/8-11 USS	4
12	95.06	.Washer, Flat 3/8 SAE	12
13	90.0610	.Bolt, 3/8-16 USS x 1-1/4	12
14	99.E0058	.Nut, Jam 1/2-13 USS	4
15	90.0818-2	.Bolt, 1/2-13 USS x 2-1/4 Tap	4
16	97.0608	.Bolt, Carriage 3/8-16 x 1	6
17	90.0808	.Bolt, 1/2-13 USS x 1	8
18	97.0610	.Bolt, Carriage 3/8-16 x 1-1/4	10
19	41.0136	.Spring, Torsion LH NV	3
20	41.0135	.Spring, Torsion RH NV	3
21	41.0137	.Spring, Ext. 1.895 OD x 8.75" L	2
22	05.0189	.Bumper, Axial 3,200 Lbs PF	2
23	SE-1018	.Shaft, Blade Trip Pivot	2
24	SE-1017	.Shaft, Blade Slide	4
25	NV-1100	.Lever, Spring Tension	6
26	NV-1101	.Bushing, Spring Tension Pivot	6
27	95.04-3	.Washer, Flat 1/4 SAE SS	4
28	SE-1013	.Cutting Edge, Steel	2
29	SE-1012	.Mount, Center Cutting Edge Left	1
30	SE-1008	.Cutting Edge, Steel Center	2
31	97.0612	.Bolt, Carriage 3/8-16 x 1 1/2	2
32	97.0506	.Bolt, Carriage 5/16 x 3/4	2
33	99.SF05	.Nut, SRF 5/16-18 USS	2
34	SE-1048	.Mount, Center Cutting Edge Right	1
35	79.0083	.Shoe, Skid Round Asm	2
36	SE-6002	.Frame, Spring Anchor Left	1
37	SE-6008	.Frame, Blade Left	1
38	SE-6013	.Frame, Blade Trip Skid Left	1
39	SE-6018	.Frame, Blade Trip Slide Left	1
40	NV-6013	.Anchor, Blade Bumper Stop	2
41	SE-6005	.Frame, Spring Anchor Right	1
42	SE-6009	.Frame, Blade Right	1
43	SE-6014	.Frame, Blade Trip Skid Right	1
44	SE-6019	.Frame, Blade Trip Slide Right	1
51	03.0005	.Pin, Linch	2
52	95.16	.Washer, Flat 1 SAE	38

# PARTS

## ILLUSTRATED DRAWING Hydraulics





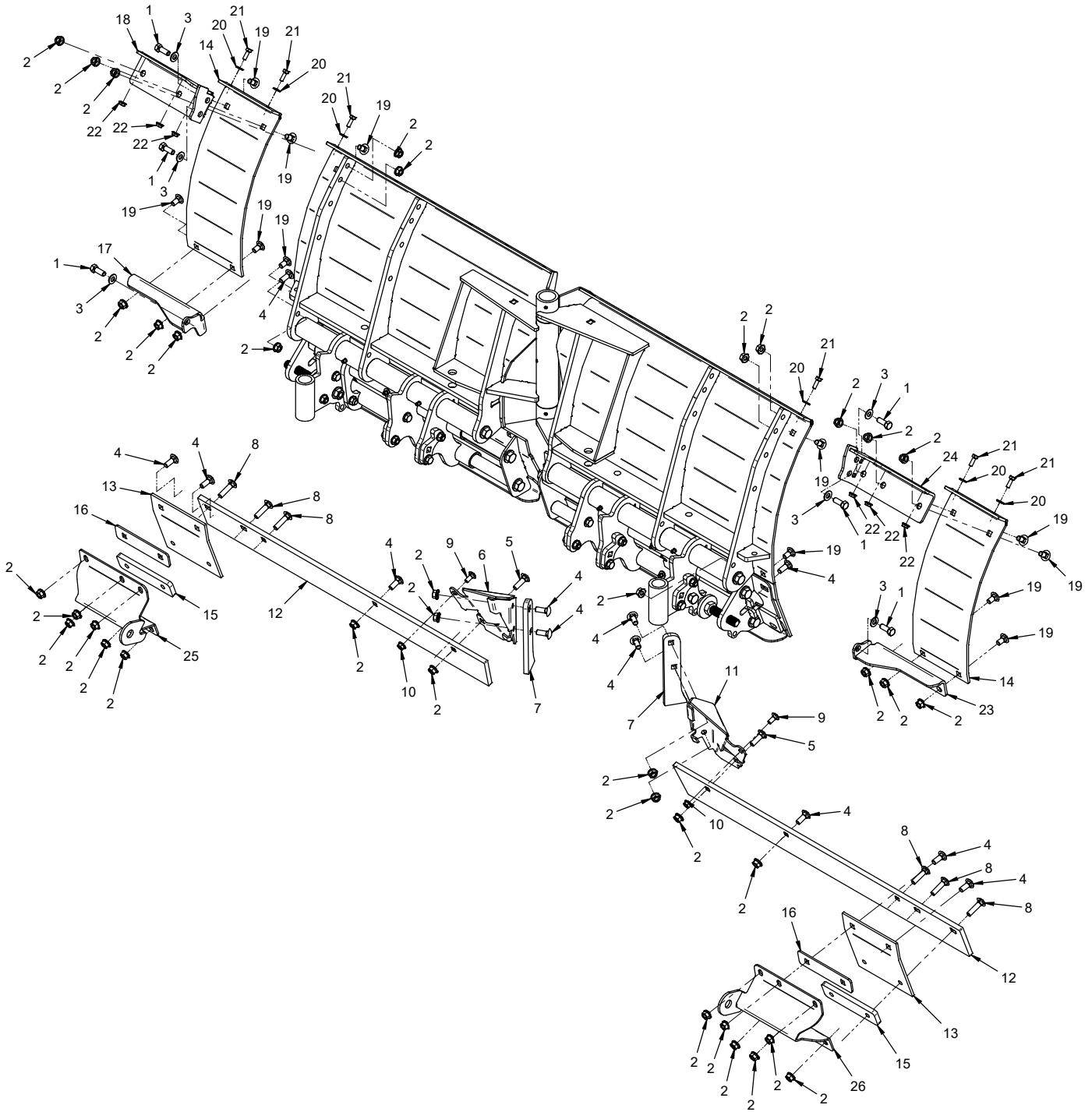
# PARTS

## Hydraulics

REF.	PART NO.	DESCRIPTION	QTY.
1	99.E0094	Locknut, 5/8-11 Flanged Stover	4
2	90.1018	Bolt, 5/8-11 USS x 2-1/4	2
3	95.10	Washer, Flat 5/8 SAE	2
4	90.1040	Bolt, 5/8-11 UNC x 5	2
5	90.0608	Bolt, 3/8-16 USS x 1	1
6	99.SF06	Nut, SRF 3/8-16 USS	1
7	SE-1045	Boss, Cylinder Mount Top	2
8	SE-1044	Boss, Cylinder Mount Bottom	2
9	11.0065	Clamp, Cushioned Metal 2"	1
10	25.6801-06-06	Fitting, 90 ME 3/8 x 3/8	4
11	23.0104	Coupler, Quick Male 1/4	4
12	05.0116	Washer, .544 ID x .817 x .14 Red	1
13	05.0117	Washer, .544 ID x .817 x .14 Yel	1
14	05.0156	Washer, .544 ID x .817 x .14 Nat	1
15	05.0157	Washer, .544 ID x .817 x .14 Blk	1
16	23.0145	Cylinder, 1-3/4" X 8 Steering	2
17	20.0420	Hose, 1/4 x 41.00 SAE 100R17AR	1
18	20.0420	Hose, 1/4 x 41.00 SAE 100R17AR	1
19	20.0422	Hose, 1/4 x 51.00 SAE 100R17AR	1
20	20.0422	Hose, 1/4 x 51.00 SAE 100R17AR	1
21	29.GF0002	Grease Ftg, 1/4 SAE 90	2

# OPTIONS

## ILLUSTRATED DRAWING 70.8247 6 IN Extension Kit



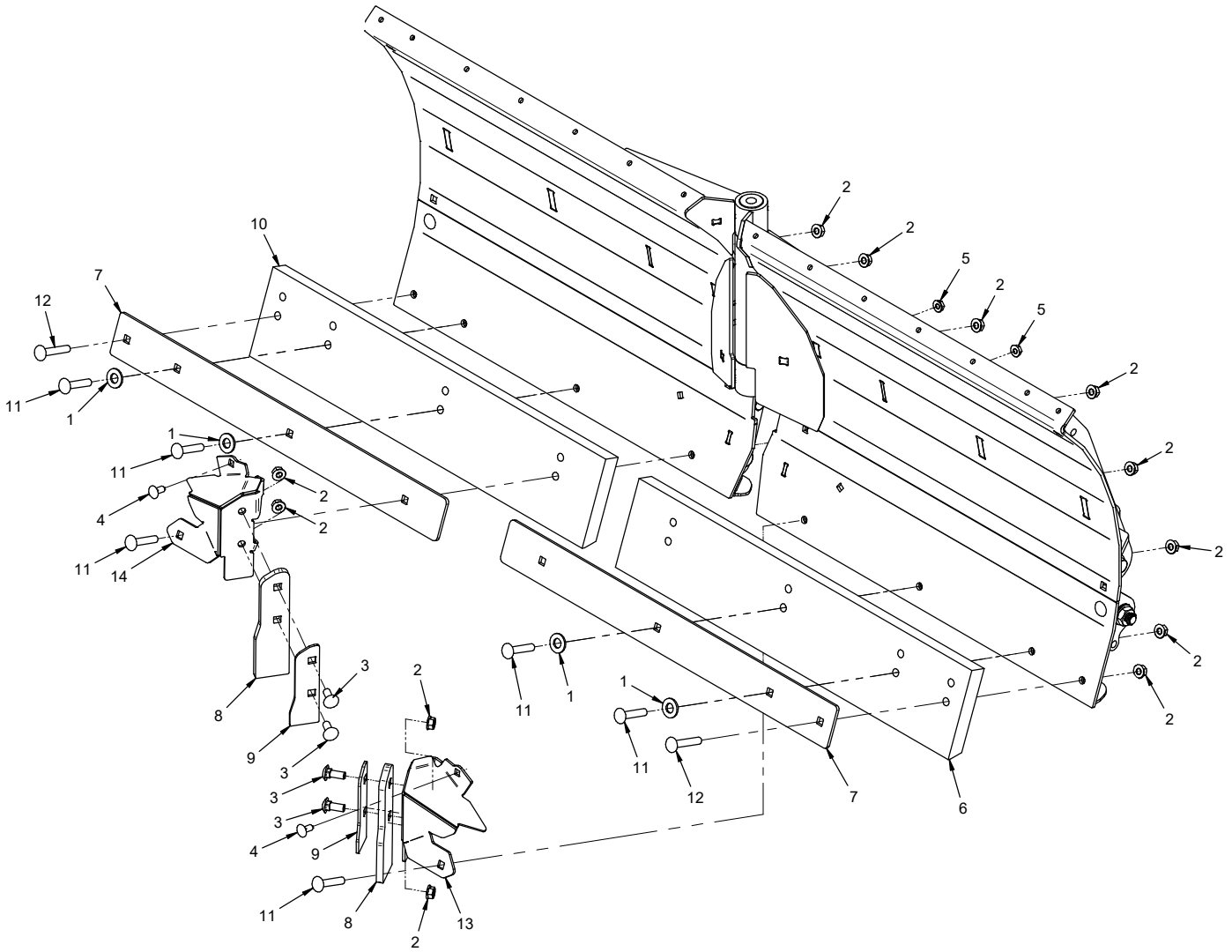
# OPTIONS

## 70.8247 6 IN Extension Kit

REF.	PART NO.	DESCRIPTION	QTY.
1	90.0608	.Bolt, 3/8-16 USS x 1	6
2	99.SF06	.Nut, SRF 3/8-16 USS	38
3	95.06	.Washer, Flat 3/8 SAE	6
4	97.0608	.Bolt, Carriage 3/8-16 x 1	12
5	97.0610	.Bolt, Carriage 3/8-16 x 1-1/4	2
6	SE-1012	.Mount, Center Cutting Edge Left	1
7	SE-1008	.Cutting Edge, Steel Center	2
8	97.0612	.Bolt, Carriage 3/8-16 x 1 1/2	6
9	97.0506	.Bolt, Carriage 5/16 x 3/4	2
10	99.SF05	.Nut, SRF 5/16-18 USS	4
11	SE-1048	.Mount, Center Cutting Edge Right	1
12	SE-1057	.Cutting Edge, Steel 6" Ext.	2
13	SE-1052	.Plate, Blade Extension	2
14	SE-1053	.Extension, Blade Wing	2
15	SE-1103	.Spacer, Blade Extension Lower	2
16	SE-1104	.Spacer, Blade Extension Upper	2
17	SE-1054	.Mount, Wing Ext Lower Left	1
18	SE-1056	.Mount, Wing Ext Upper Left	1
19	97.0606	.Bolt, Carriage 3/8-16 x 3/4	12
20	95.04	.Washer, Flat 1/4 SAE	6
21	90.0406	.Bolt, 1/4-20 USS x 3/4"	6
22	99.SF04	.Nut, SRF 1/4-20 USS	6
23	SE-1060	.Mount, Wing Ext Lower Right	1
24	SE-1059	.Mount, Wing Ext Upper Right	1
25	SE-6011	.Mount, Blade Extension Left	1
26	SE-6012	.Mount, Blade Extension Right	1

# OPTIONS

## ILLUSTRATED DRAWING 70.8248 Polyurethane Edge Kit



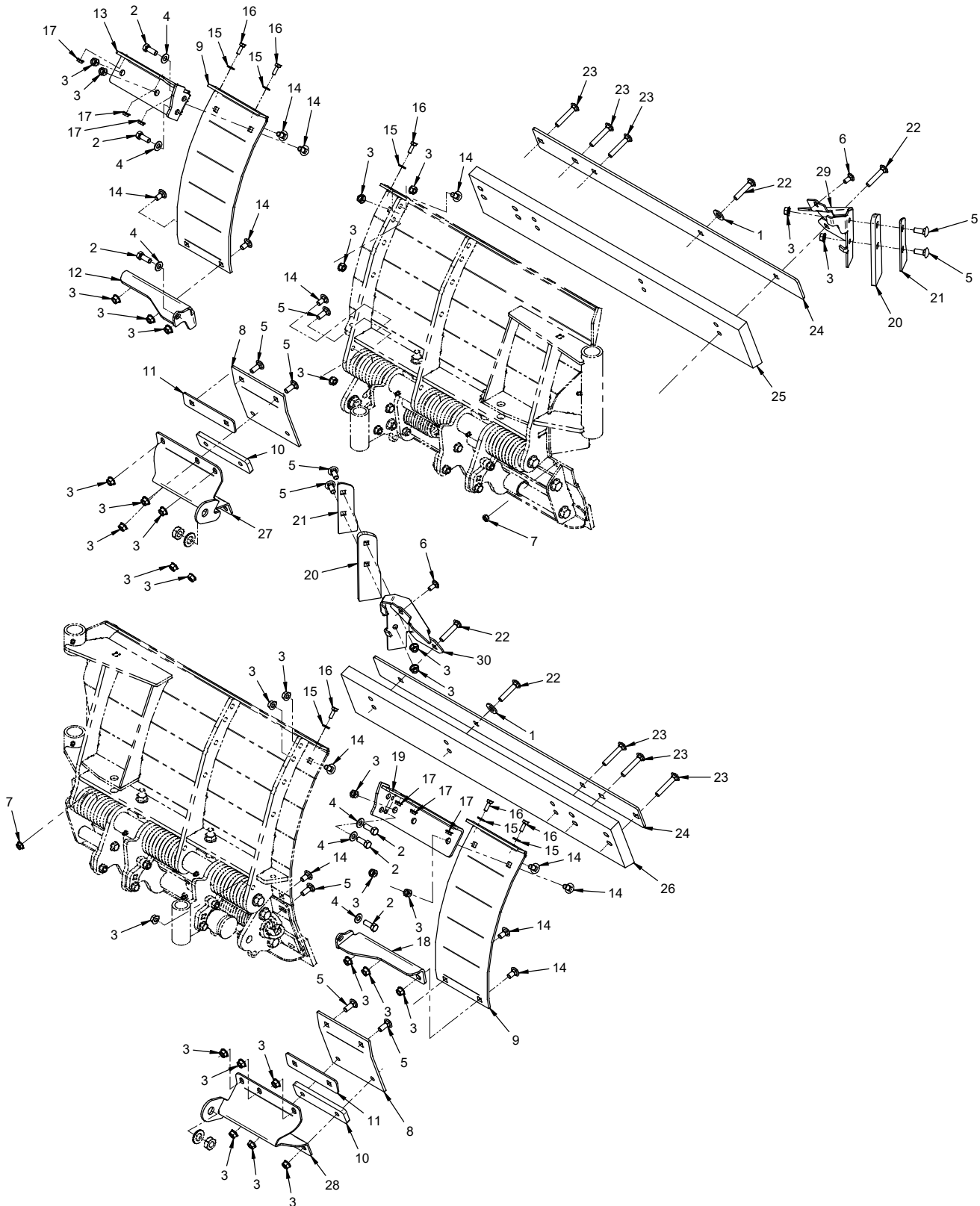
# OPTIONS

## 70.8248 Polyurethane Edge Kit

REF.	PART NO.	DESCRIPTION	QTY.
1	95.08	Washer, Flat 1/2 SAE	4
2	99.SF06	Nut, SRF 3/8-16 USS	12
3	97.0608	Bolt, Carriage 3/8-16 x 1	4
4	97.0506	Bolt, Carriage 5/16 x 3/4	2
5	99.SF05	Nut, SRF 5/16-18 USS	2
6	SE-1070	Cutting Edge, Poly Left	1
7	SE-1071	Clamp, Poly Main	2
8	SE-1072	Cutting Edge, Poly Center	2
9	SE-1073	Clamp, Poly Center	2
10	SE-1077	Cutting Edge, Poly Right	1
11	97.0616	Bolt, Carriage 3/8-16 x 2	6
12	97.0618	Bolt, Carriage 3/8 x 2 1/4	2
13	SE-6016	Bracket, Center Poly Left	1
14	SE-6017	Bracket, Center Poly Right	1

# OPTIONS

## ILLUSTRATED DRAWING 70.8249 Polyurethane Edge & 6 IN Extension Kit



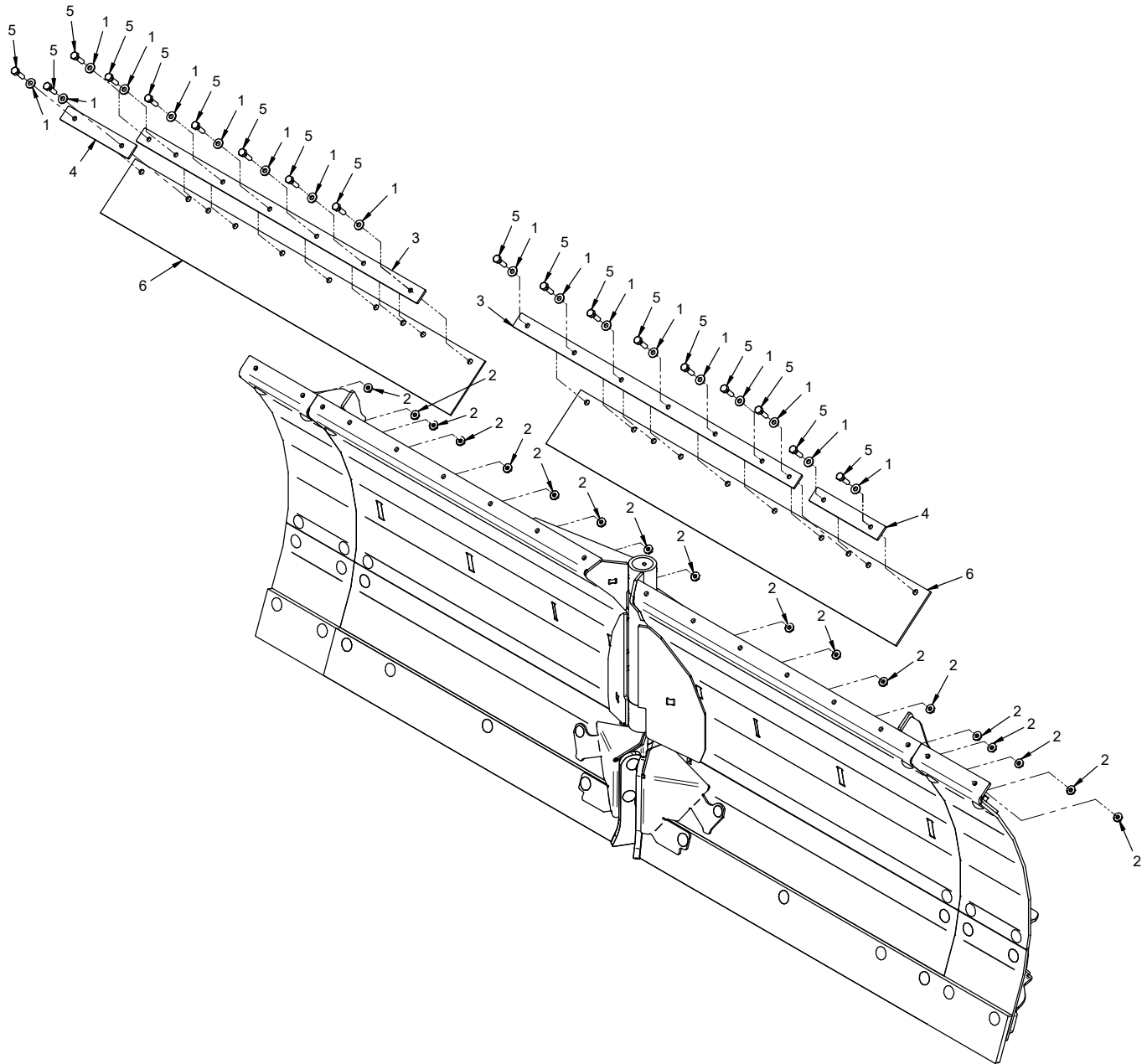
# OPTIONS

## 70.8249 Polyurethane Edge & 6 IN Extension Kit

REF.	PART NO.	DESCRIPTION	QTY.
1	95.08	Washer, Flat 1/2 SAE	2
2	90.0608	Bolt, 3/8-16 USS x 1	6
3	99.SF06	Nut, SRF 3/8-16 USS	36
4	95.06	Washer, Flat 3/8 SAE	6
5	97.0608	Bolt, Carriage 3/8-16 x 1	15
6	97.0506	Bolt, Carriage 5/16 x 3/4	4
7	99.SF05	Nut, SRF 5/16-18 USS	2
8	SE-1052	Plate, Blade Extension	2
9	SE-1053	Extension, Blade Wing	2
10	SE-1103	Spacer, Blade Extension Lower	2
11	SE-1104	Spacer, Blade Extension Upper	2
12	SE-1054	Mount, Wing Ext Lower Left	1
13	SE-1056	Mount, Wing Ext Upper Left	1
14	97.0606	Bolt, Carriage 3/8-16 x 3/4	12
15	95.04	Washer, Flat 1/4 SAE	6
16	90.0406	Bolt, 1/4-20 USS x 3/4"	6
17	99.SF04	Nut, SRF 1/4-20 USS	6
18	SE-1060	Mount, Wing Ext Lower Right	1
19	SE-1059	Mount, Wing Ext Upper Right	1
20	SE-1072	Cutting Edge, Poly Center	2
21	SE-1073	Clamp, Poly Center	2
22	97.0616	Bolt, Carriage 3/8-16 x 2	4
23	97.0618	Bolt, Carriage 3/8 x 2 1/4	6
24	SE-1067	Clamp, Poly 6" Ext	2
25	SE-1068	Cutting Edge, Poly Left 6" Ext	1
26	SE-1082	Cutting Edge, Poly Right 6" Ext	1
27	SE-6011	Mount, Blade Extension Left	2
28	SE-6012	Mount, Blade Extension Right	2
29	SE-6016	Bracket, Center Poly Left	2
30	SE-6017	Bracket, Center Poly Right	2

# OPTIONS

## ILLUSTRATED DRAWING 70.8250 Snow Containment Kit





# OPTIONS

## 70.8250 Snow Containment Kit

REF.	PART NO.	DESCRIPTION	QTY.
1	95.04	Washer, Flat 1/4 SAE	18
2	99.SF04	Nut, SRF 1/4-20 USS	18
3	SE-1074	Belt Clamp, Main	2
4	SE-1075	Belt Clamp, 6" Ext	2
5	90.0408	Bolt, 1/4-20 USS x 1	18
6	44.0433	Belt, Top Containment Flap	2