

KR502

Landscape Rake

Serial Number KR502-AC1128-





500 Venture Drive
Orrville Oh 44667
www.ventrac.com

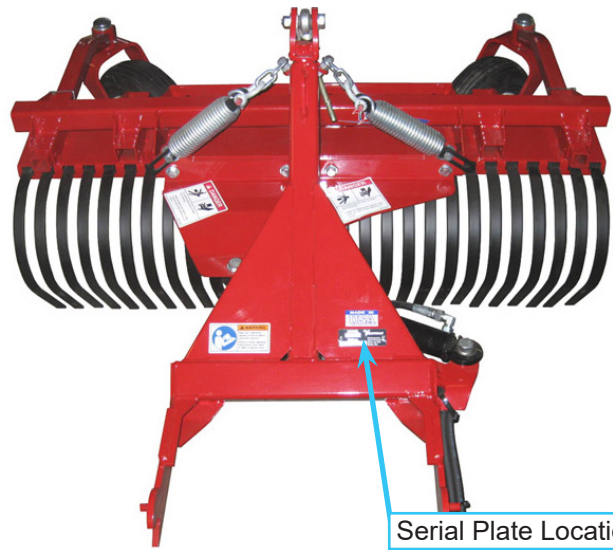
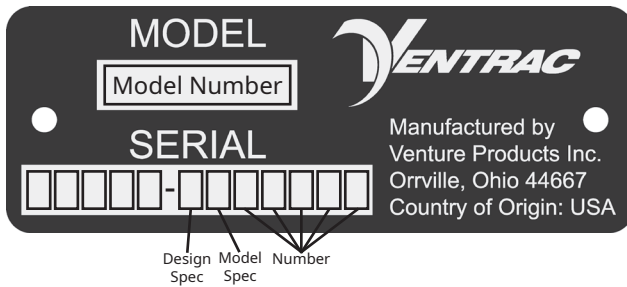
[View all manuals](#)



Visit ventrac.com/manuals for the latest version of this parts manual.

A downloadable operator's manual is also available.

Serial Number Description



Notes

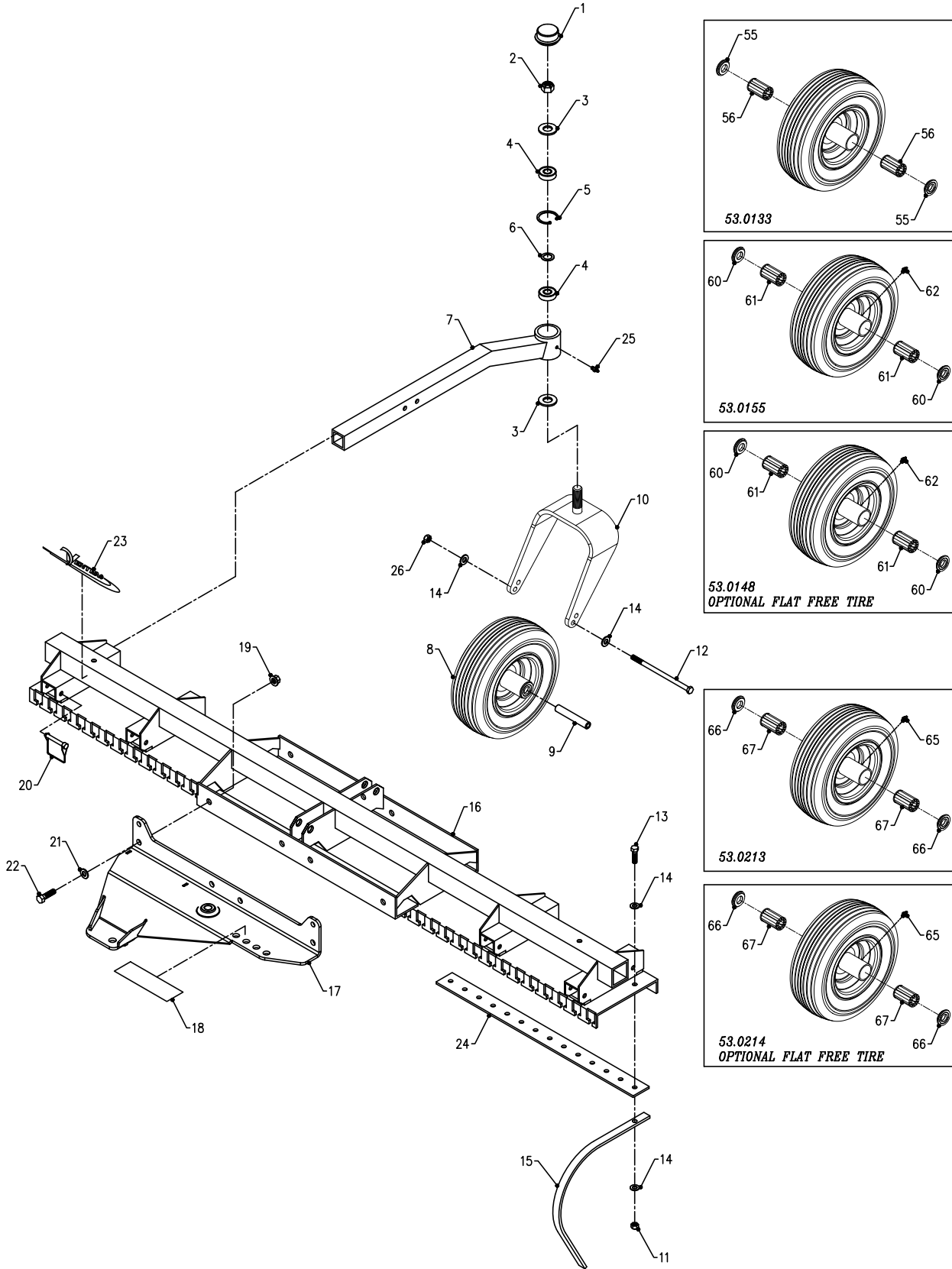
- If any component requires replacement, use only original Ventrac replacement parts.
- When ordering new components, be sure to order all required safety decals. All current safety decals must be affixed to the replacement components prior to installation of the component.

TABLE OF CONTENTS

PARTS	PAGE 4
Main Frame & Gauge Wheels.....	4
Hitch Frame, Height Adjuster, & Hydraulics	6
70.8034 Rake Extension Kit.....	8
70.8035 Hydraulic Height Adjust Cylinder Kit.....	10
70.8216 Hydraulic Height Adjust Kit.....	12

PARTS

ILLUSTRATED DRAWING Main Frame & Gauge Wheels



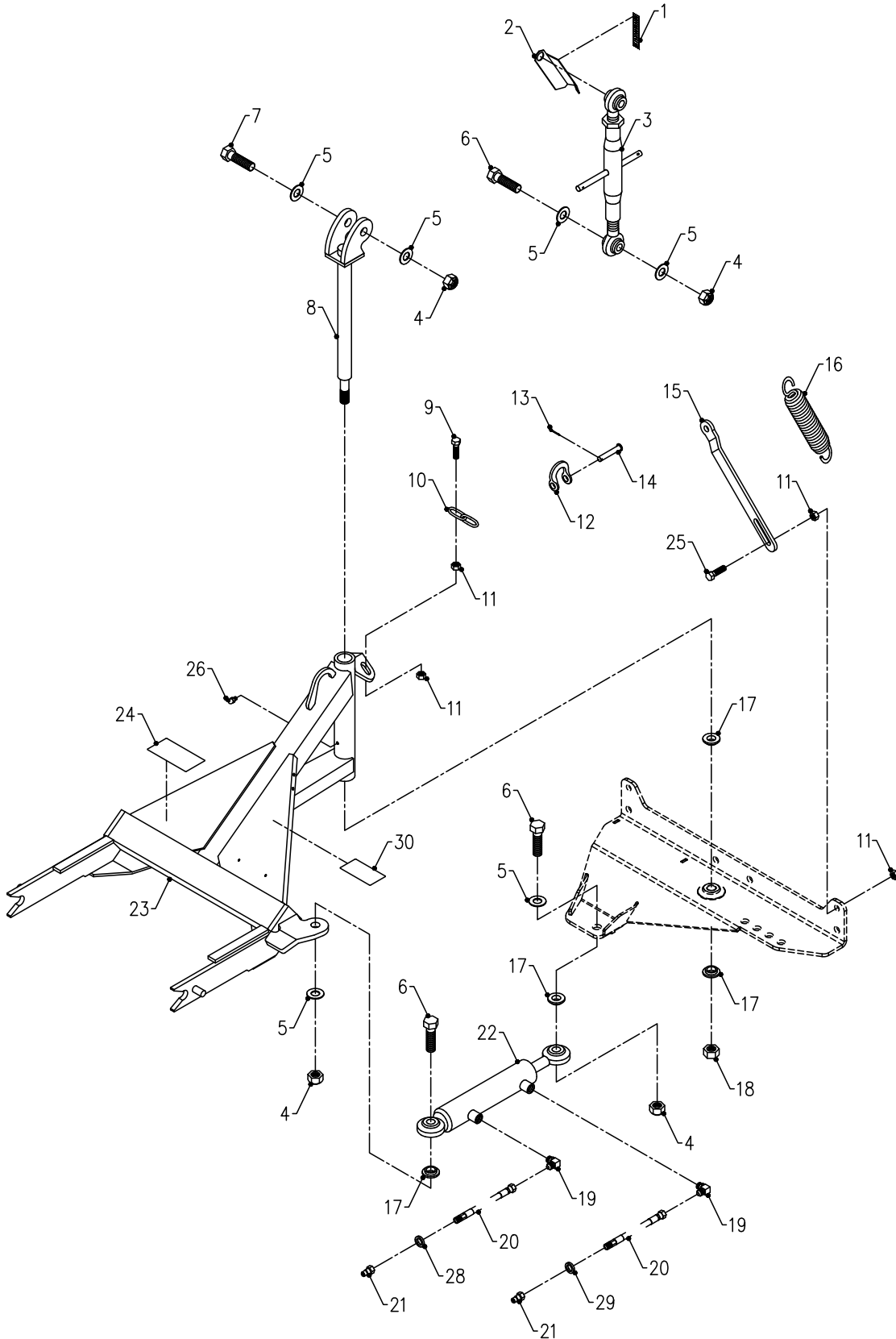
PARTS

Main Frame & Gauge Wheels

REF.	PART NO.	DESCRIPTION	QTY.
1	53.0080	DUST CAP, BEARING MOWER CASTER	2
2	99.A12NF	LOCKNUT, STOVER 3/4-16 SAE	2
3	99.B0057-2	WASHER, MACH3/4 X1-1/4 10GA ZP	4
4	55.0023	BEARING, BALL .75 ID X 1.78 OD	4
5	04.0013	SNAP RING, INT .062 X 1.75	2
6	99.B0052	SHIM, STEEL 3/4 X 1 X .062	2
7	62.1006	ARM, FRONT CASTER MOUNT	2
8	53.0133	WHEEL, ASM 13 X 5 X 6 CASTER (Serial # 1128-1207)	2
8	53.0155	WHEEL, ASM 13 X 5 X 6 CASTER (Serial # 1208-1669)	2
8	53.0213	WHEEL, ASM 13 X 5 X 6 CASTER (Serial # 1670-)	2
8	53.0148	WHEEL, ASM 13X5X6 RIB FLATFREE (Optional - White Rim)	2
8	53.0214	WHEEL, ASM 13X5X6 FLATFREE (Optional - Black Rim)	2
9	50.0050	TUBE, RD 7/16 X 3/4 X 6-1/8L A.	2
10	50.0183	YOKE, CASTER 13", HIGH/LOW	2
11	99.A06	LOCKNUT, STOVER 3/8-16 USS	28
12	90.0660	BOLT, 3/8-16 USS X 7-1/2	2
13	90.0610	BOLT, 3/8-16 USS X 1 1/4	28
14	95.06	WASHER, FLAT 3/8 SAE	56
15	79.0043	TINE, RAKE	28
16	62.1009	FRAME, MAIN	1
17	64.1106	PLATE, HITCH TO MAIN FRAME (Serial # 1128-1429)	1
17	KR-6001	FRAME, LOWER PIVOT (Serial # 1430-)	1
18	00.0102	DECAL, DANGER-PINCHING HAZARD (Serial # 1128-1429)	2
18	00.0594	DECAL, DANGER PINCHING HAZARD (Serial # 1430-1897)	2
18	00.0620	DECAL, PINCHING OR CRUSHING HAZARD (Serial # 1898-)	2
19	99.SF08	NUT, SRF 1/2-13 USS	4
20	03.0003	PIN, SAFETY SNAP 3/8 X 2 1/2	2
21	95.08	WASHER, FLAT 1/2 SAE	4
22	90.0810	BOLT, 1/2-13 USS X 1 1/4	4
23	00.0212	DECAL, VENTRAC ORBITAL	2
24	64.1197	SPACER, TINE 24-3/8"	2
25	29.GF0001	GREASE FTG, 1/4 SAE ST	2
26	99.A06C	LOCKNUT, CENTER 3/8-16	2
55	55.0066	BEARING, RETAINER 3/4"	2
56	55.0065	BEARING, 3/4 ROLLER 2-1/4" LG	2
60	55.0072	BEARING, RETAINER 3/4"	2
61	55.0088	BEARING, ROLLER REPLACEMENT	2
62	29.GF0001	GREASE FTG, 1/4 SAE ST	1
65	29.GF0001	GREASE FTG, 1/4 SAE ST	1
66	55.0114	RETAINER, ROLLER BEARING 3/4"	2
67	55.0116	BEARING, ROLLER 2.25" LONG	2

PARTS

ILLUSTRATED DRAWING Hitch Frame, Height Adjuster, & Hydraulics



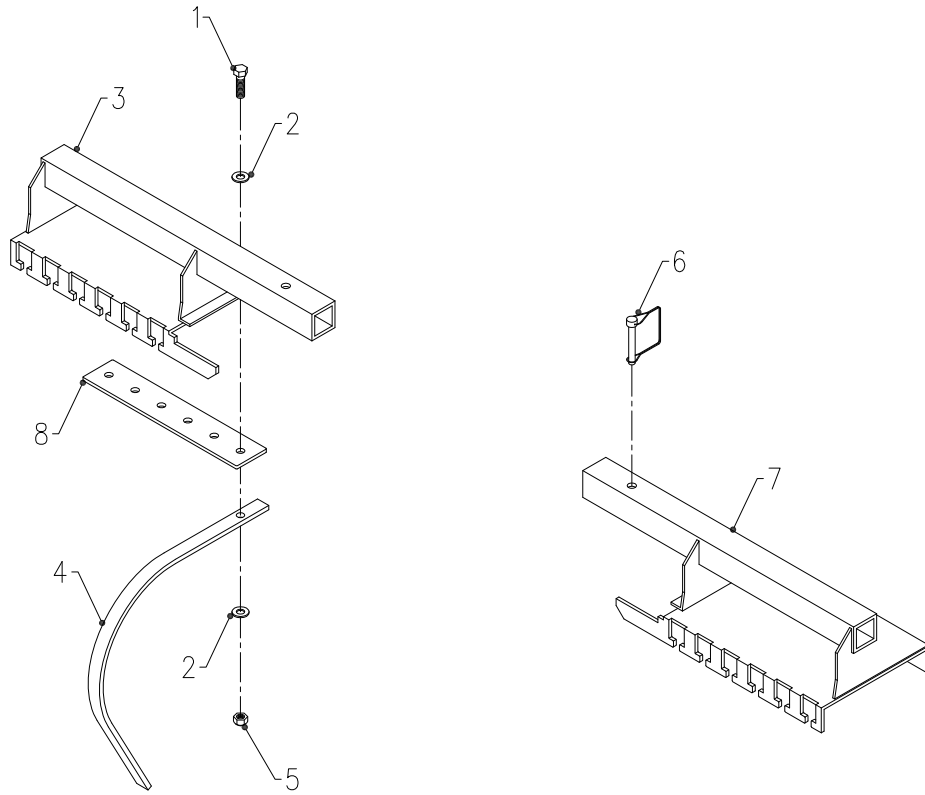
PARTS

Hitch Frame, Height Adjuster, & Hydraulics

REF.	PART NO.	DESCRIPTION	QTY.
1	00.0211	.DECAL, KR HEIGHT INDICATOR	1
2	64.1108	.PLATE, MANUAL ADJUST GAUGE	1
3	47.0222	.TOP LINK, CAT.#0, ADJUSTABLE	1
4	99.A10	.LOCKNUT, STOVER 5/8-11 USS	4
5	95.10	.WASHER, FLAT 5/8 SAE	6
6	90.1020	.BOLT, 5/8-11 USS X 2 1/2	3
7	90.1022	.BOLT, 5/8-11 USS X 2 3/4	1
8	64.1107	.PIN, ANGLE PIVOT	1
9	90.0712	.BOLT, 7/16-14 USS X 1 1/2	2
10	81.0148	.CHAIN, 1/4" X 2 LINKS	2
11	92.07	.NUT, 7/16-14 USS	8
12	43.CS06	.CLEVIS, SHACKLE 3/8 W/ PIN	2
13	02.CP0306	.COTTER PIN, 3/32 X 3/4	2
14	03.0714	.CLEVIS PIN, 7/16 X 1-3/4 ZP	2
15	42.0466	.LINK, SPRING GUIDE	2
16	41.0075	.SPRING, EXT 2" OD X 8-3/8" LG	2
17	64.1109	.BUSHING, DANUSER BALL	4
18	93.10	.NUT, 5/8-18 SAE	1
19	25.6801-06-06	.FITTING, 90 ME 3/8 X 3/8	2
20	20.0185	.HOSE, 1/4X48.00 SAE 100R17 AR	2
21	23.0104	.COUPLER, QUICK MALE 1/4	2
22	23.0129	.CYLINDER, 1-1/2" X 8" STEERING	1
23	62.1005	.FRAME, HITCH	1
24	00.0217	.DECAL, WARNING READ OWNERS MAN (Serial # 1128-1897)	1
24	00.0619	.DECAL, READ OPERATOR'S MANUAL (Serial # 1898-)	1
25	90.0710	.BOLT, 7/16-14 USS X 1 1/4	2
26	29.GF0003	.GREASE FTG, 1/4 SAE 45	1
28	05.0117	.WASHER, .544ID X .817 X.14 YEL	1
29	05.0116	.WASHER, .544ID X .817 X.14 RED	1
30	00.0621	.DECAL, HIGH PRESSURE FLUID HAZARD	1

PARTS

ILLUSTRATED DRAWING 70.8034 Rake Extension Kit



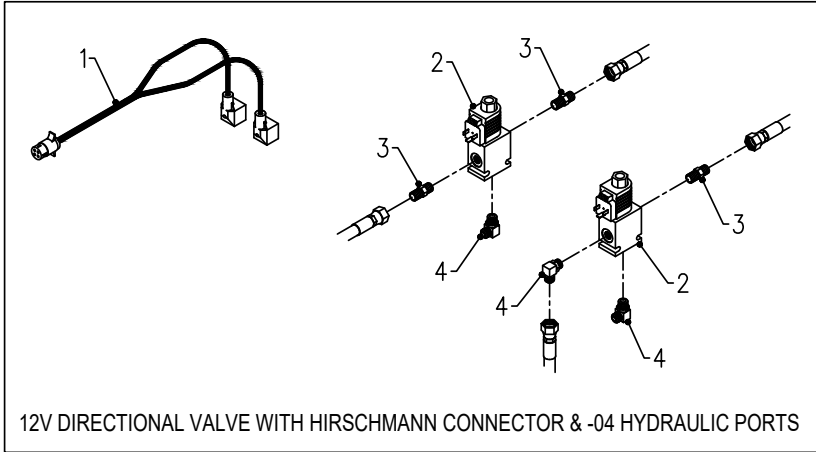
PARTS

70.8034 Rake Extension Kit

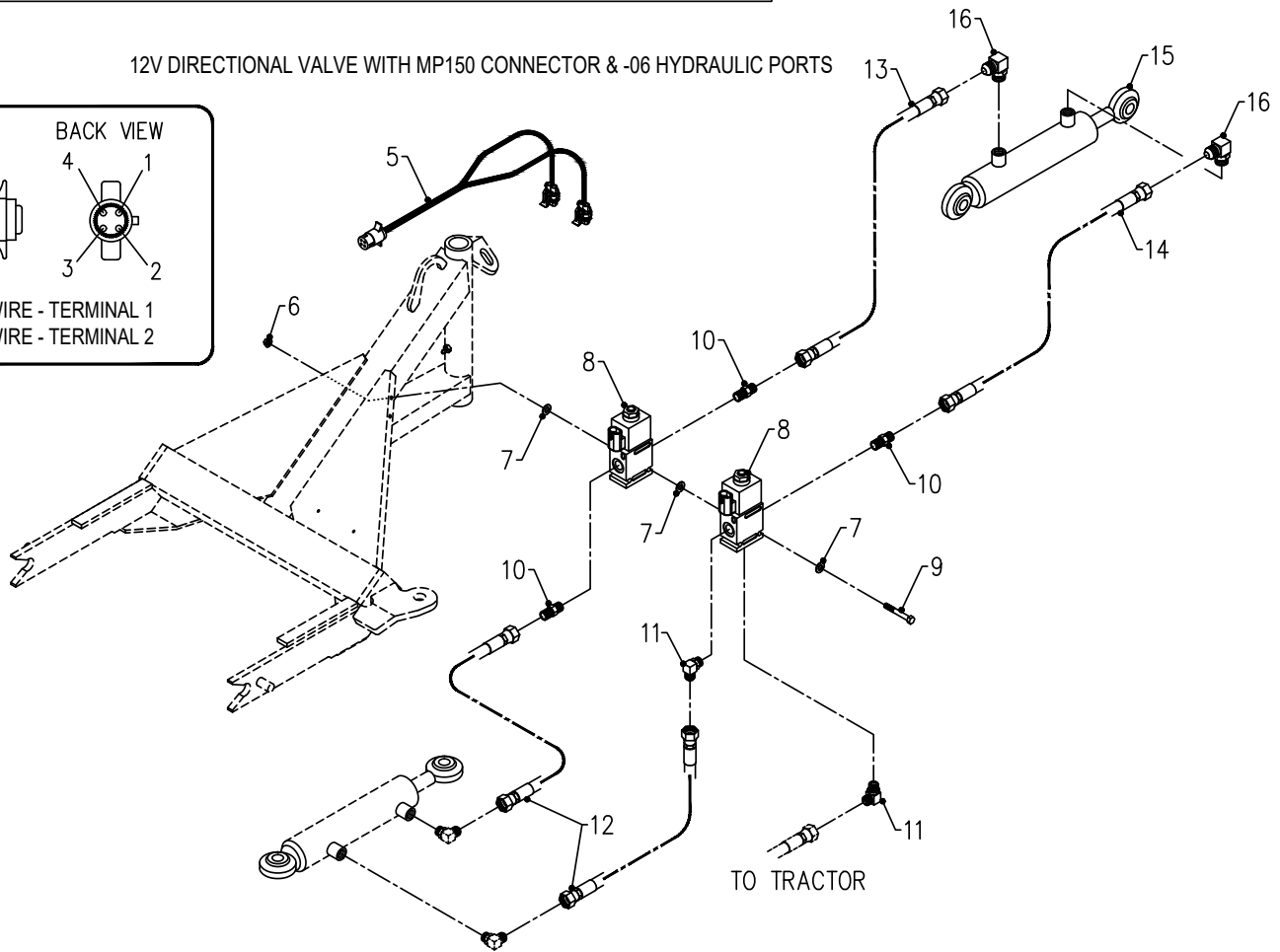
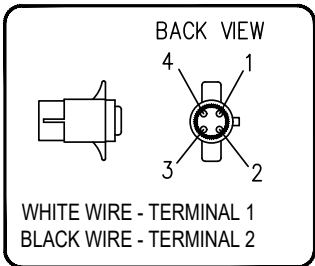
REF.	PART NO.	DESCRIPTION	QTY.
1	90.0610	BOLT, 3/8-16 USS X 1 1/4	12
2	95.06	WASHER, FLAT 3/8 SAE	24
3	62.1008	FRAME, LEFT EXTENSION	1
4	79.0043	TINE, RAKE	12
5	99.A06	LOCKNUT, STOVER 3/8-16 USS	12
6	03.0003	PIN, SAFETY SNAP 3/8 X 2 1/2	2
7	62.1007	FRAME, RIGHT EXTENSION	1
8	64.1198	SPACER, TINE 10-1/2"	2

PARTS

ILLUSTRATED DRAWING 70.8035 Hydraulic Height Adjust Cylinder Kit



12V DIRECTIONAL VALVE WITH MP150 CONNECTOR & -06 HYDRAULIC PORTS



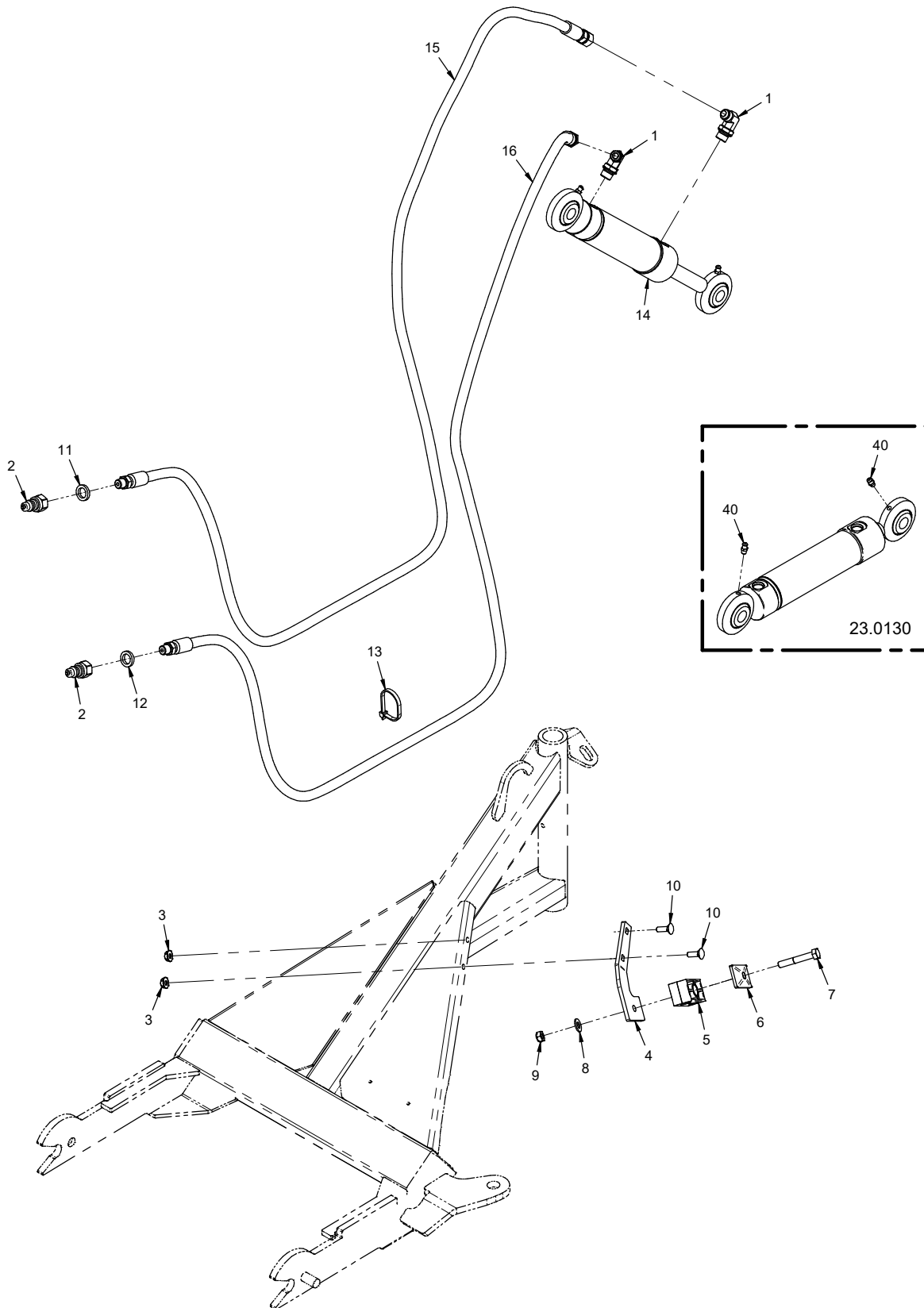
PARTS

70.8035 Hydraulic Height Adjust Cylinder Kit

REF.	PART NO.	DESCRIPTION	QTY.
1	34.1400-1007	WIRE, 14 GA 2 WIRE X 43" KR	1
2	23.0136-1	VALVE, DIRECTIONAL CONTROL 12V	2
3	25.6400-06-04	FITTING, M CONN 3/8 X 1/4	3
4	25.6801-06-04	FITTING, 90 ME 3/8 X 1/4	3
5	32.0172	HARNESS, HEIGHT ADJUST CYL KIT	1
6	99.SF04	NUT, SRF 1/4-20 USS	2
7	95.04	WASHER, FLAT 1/4 SAE	6
8	23.0164	VALVE, DIRECTIONAL 12V	2
9	90.0426	BOLT, 1/4-20 USS X 3 1/4	2
10	25.6400-06-06	FITTING, M CONN 3/8 X 3/8	3
11	25.6801-06-06	FITTING, 90 ME 3/8 X 3/8	3
12	20.0150	HOSE, 1/4X11.50 SAE 100R17 AR	2
13	20.0211	HOSE, ASM C 1/4 X 20"-2750	1
14	20.0143	HOSE, 1/4X27.00 SAE 100R17 AR	1
15	23.0130	CYLINDER, 1-1/2" X 5"	1
16	25.6801-06-06	FITTING, 90 ME 3/8 X 3/8	2

PARTS

ILLUSTRATED DRAWING 70.8216 Hydraulic Height Adjust Kit



PARTS

70.8216 Hydraulic Height Adjust Kit

REF.	PART NO.	DESCRIPTION	QTY.
1	25.6801-06-06	.FITTING, 90 ME 3/8 X 3/8	2
2	23.0104	.COUPLER, QUICK MALE 1/4	2
3	99.SF04	.NUT, SRF 1/4-20 USS	2
4	KR-1501	.MOUNT, HOSE CLAMP	1
5	44.0256	.CLAMP, HYD. HOSE 12.7MM ID 2 CAVITY (SET OF 2)	1
6	44.0229	.COVER PLATE, 2D GROUP (2 CAVITY)	1
7	90.0516	.BOLT, 5/16-18 USS X 2	1
8	95.05	.WASHER, FLAT 5/16 SAE	1
9	99.A05	.LOCKNUT, STOVER 5/16-18 USS	1
10	97.0406	.BOLT, CARRIAGE 1/4-20 X 3/4	2
11	05.0156	.WASHER, .544 ID X .817 X 14 NAT	1
12	05.0157	.WASHER, .544 ID X .817 X 14 BLK	1
13	30.0037	.TYTON TIE, #50 .18 X 8 BLACK	3
14	23.0130	.CYLINDER, 1-1/2" X 5"	2
15	20.0383	.HOSE, 1/4X74.00 SAE 100R17AR	1
16	20.0382	.HOSE, 1/4X69.50 SAE 100R17AR	1
40	29.GF0001	.GREASE FTG, 1/4 SAE ST	2