

Parts Manual

# EG520

Seeder





500 Venture Drive  
Orrville Oh 44667  
www.ventrac.com

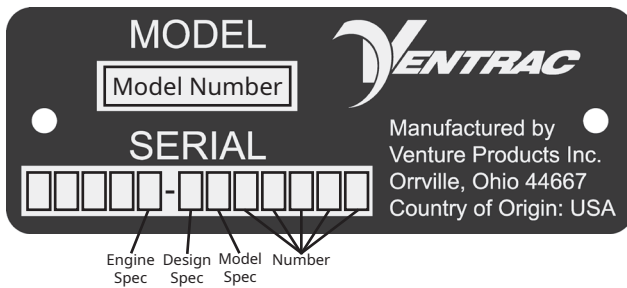
View all manuals



Visit [ventrac.com/manuals](http://ventrac.com/manuals) for the latest version of this parts manual.

A downloadable operator's manual is also available.

### Serial Number Description



### Notes

- If any component requires replacement, use only original Ventrac replacement parts.
- When ordering new components, be sure to order all required safety decals. All current safety decals must be affixed to the replacement components prior to installation of the component.

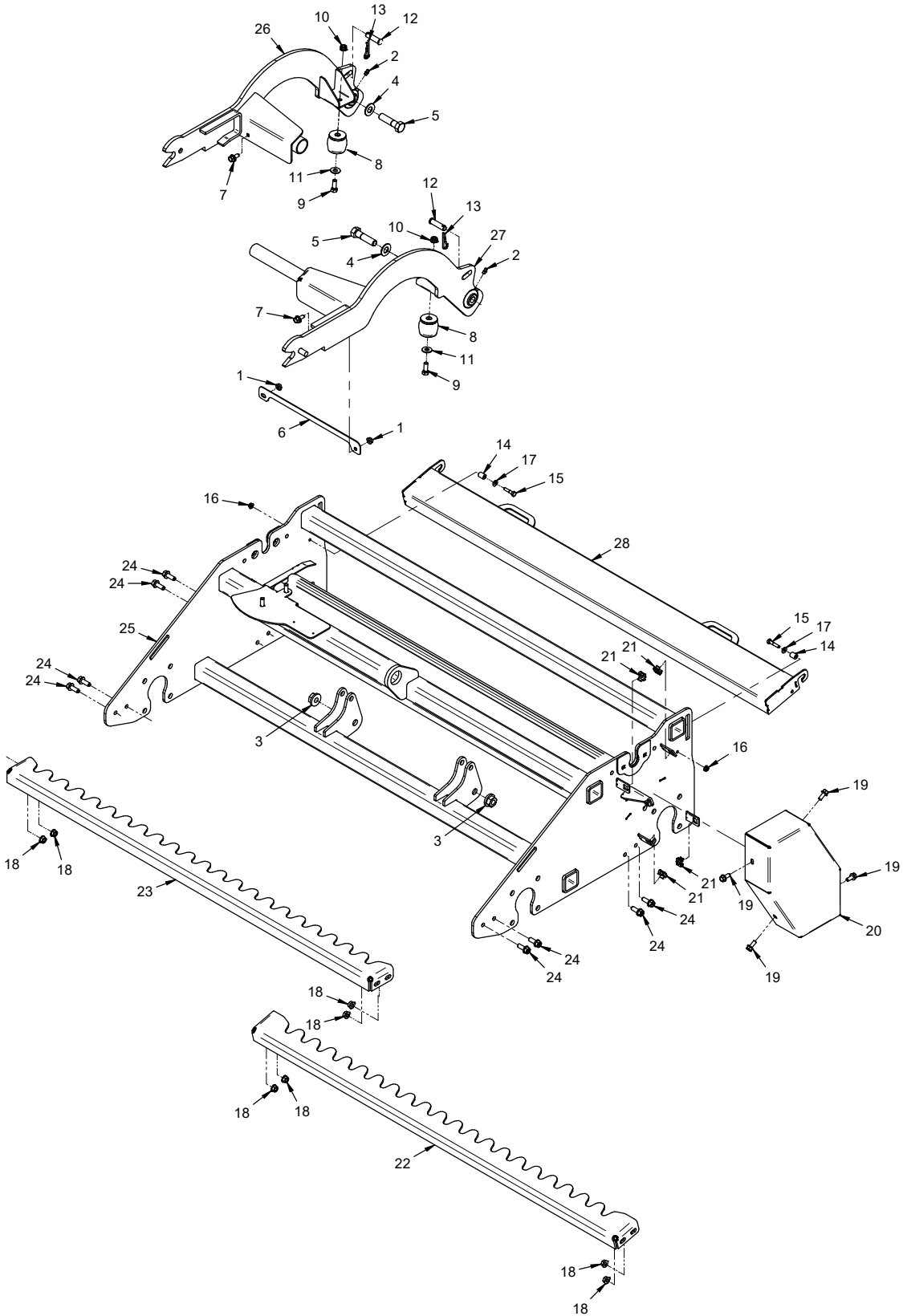
# TABLE OF CONTENTS

---

<b>PARTS</b>	<b>PAGE 4</b>
Frame & Hitch .....	4
Seed Box Covers .....	6
Seed Box Cup & Spacer.....	8
Rear Cultipacker & Bearings .....	10
Front Cultipacker & Drive .....	12
Decals.....	14

# PARTS

## ILLUSTRATED DRAWING Frame & Hitch



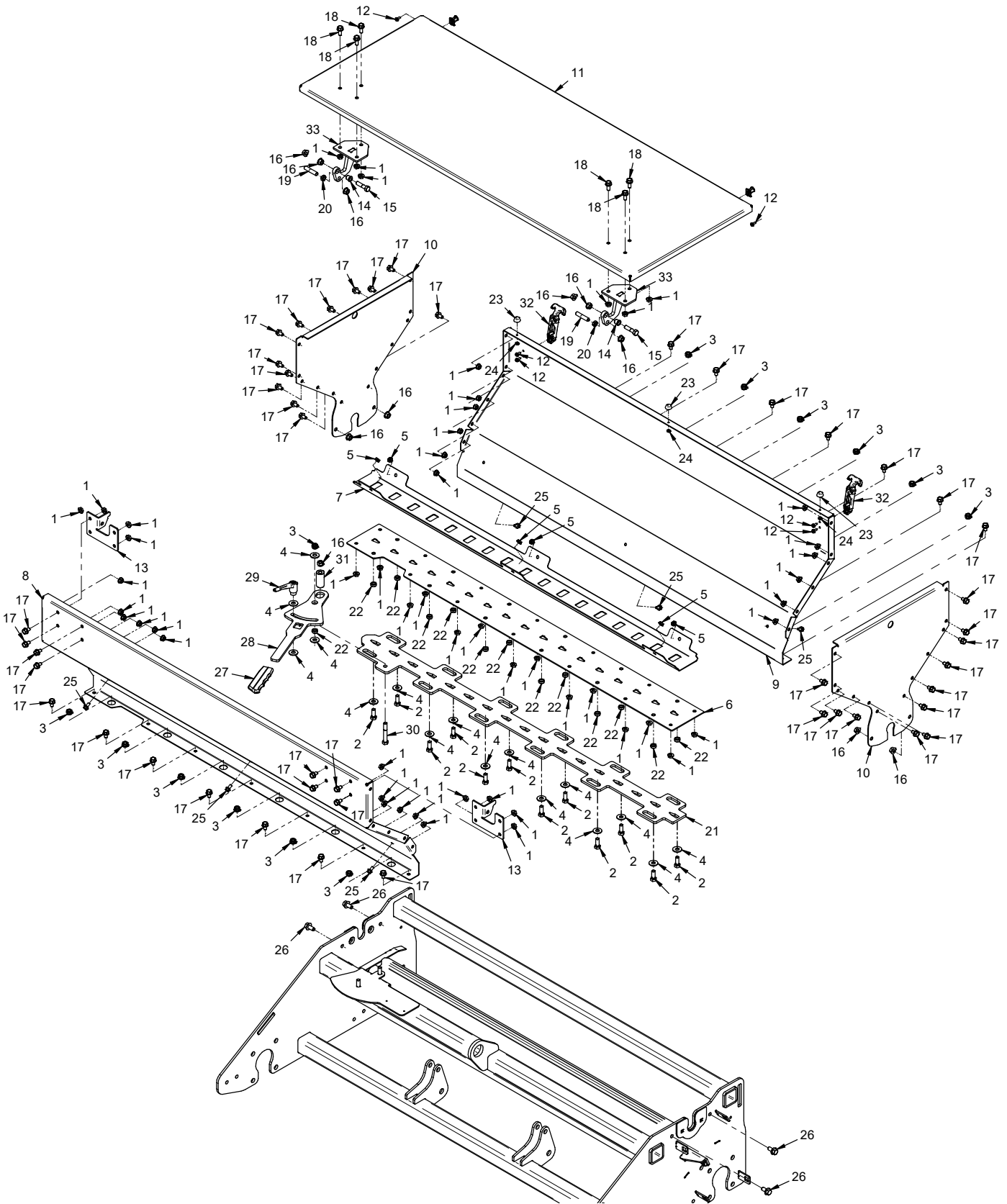
# PARTS

## Frame & Hitch

REF.	PART NO.	DESCRIPTION	QTY.
1	99.SF05	Nut, SRF 5/16-18 USS	2
2	29.GF0001	Grease Ftg, 1/4 SAE ST	2
3	99.E0094	Locknut, 5/8-11 Flanged Stover	2
4	95.10	Washer, Flat 5/8 SAE	2
5	90.1020	Bolt, 5/8-11 USS x 2-1/2	2
6	64.1934	Brace, Hitch Arm Spacing	1
7	99.SF0506	Bolt, SRF 5/16-18 USS x 3/4	2
8	05.0189	Bumper, Axial 3,200 Lbs PF	2
9	90.0608	Bolt, 3/8-16 USS x 1	2
10	99.E0082	Nut, Locking Flange 3/8-16	2
11	94.06	Washer, Flat 3/8 USS	2
12	03.0814	Clevis Pin, 1/2 X 1 3/4	2
13	02.HP0416	Hairpin, 1/8 X 2 ZP	2
14	05.0142	Spacer, 1/4 ID x 1/2 OD x 5/8L	2
15	90.0410	Bolt, 1/4-20 USS x 1/1-4"	2
16	99.SF04	Nut, SRF 1/4-20 USS	2
17	95.04	Washer, Flat 1/4 SAE	2
18	99.SF06	Nut, SRF 3/8-16 USS	8
19	99.SF0506-1	Bolt, SMF 5/16-18 USS x 3/4	4
20	EG-1132	Cover, Drive Chain	1
21	99.E0149	Nut, Cage 5/16-18 (.127 - .162")	4
22	EG-1147	Scraper, Front Cultipacker	1
23	EG-1148	Scraper, Rear Cultipacker	1
24	99.SF0608-1	Bolt, SMF 3/8-16 x 1	8
25	EG-6060	Frame, Main EG520	1
26	EG-6061	Hitch, Arm Left EG520	1
27	EG-6066	Hitch, Arm Right EG520	1
28	EG-6064	Tray, Seed Catch	1

# PARTS

## ILLUSTRATED DRAWING Seed Box Covers



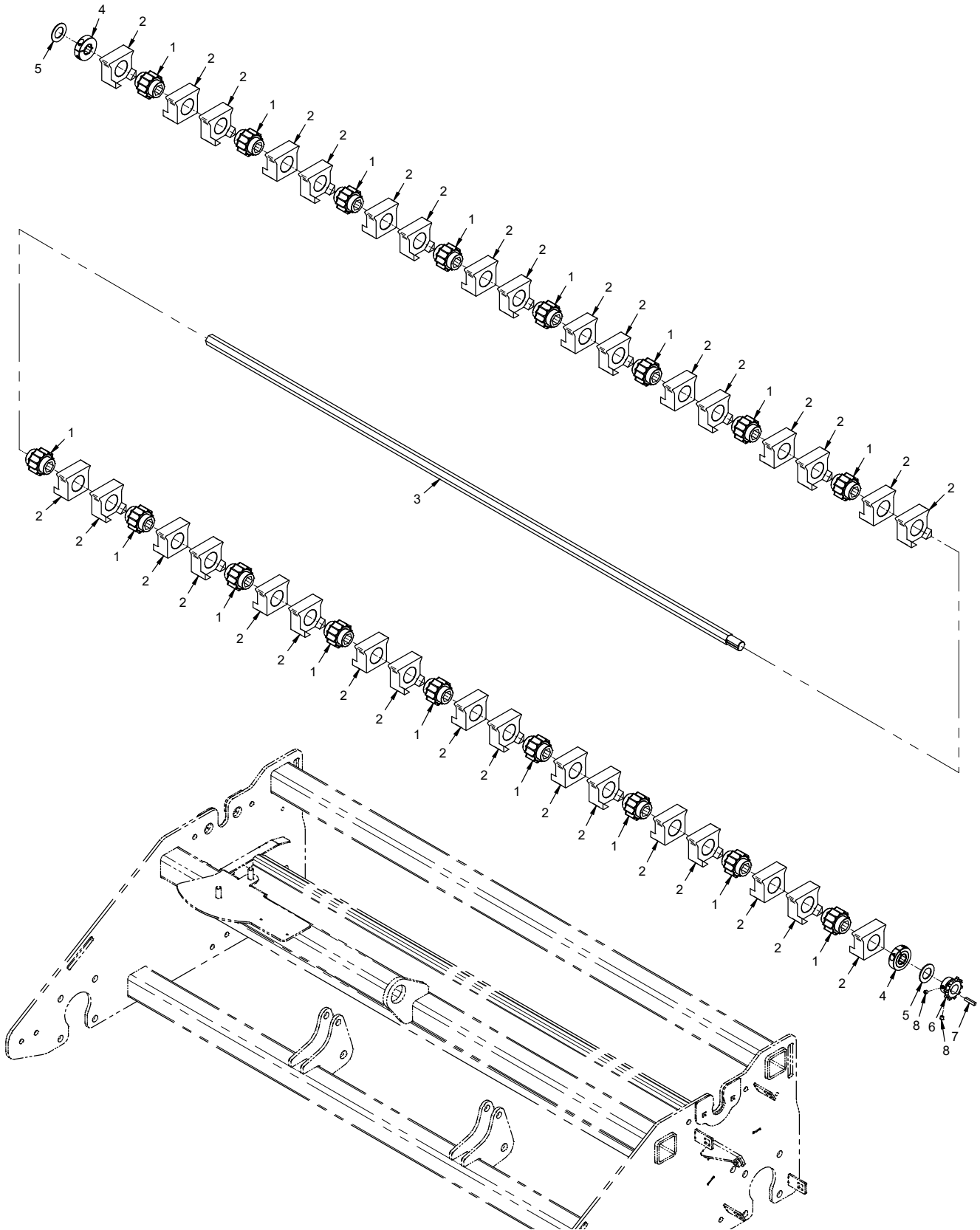
# PARTS

## Seed Box Covers

REF.	PART NO.	DESCRIPTION	QTY.
1	99.SF05	Nut, SRF 5/16-18 USS	52
2	90.0608	Bolt, 3/8-16 USS x 1	12
3	99.E0082	Nut, Locking Flange 3/8-16	13
4	94.06	Washer, Flat 3/8 USS	16
5	99.SF04	Nut, SRF 1/4-20 USS	6
6	EG-1112	Plate, Seed Cup Bottom	1
7	EG-1111	Plate, Hopper Bottom	1
8	EG-1108	Panel, Hopper Rear	1
9	EG-1109	Panel, Hopper Front	1
10	EG-1107	Panel, Hopper Side	2
11	EG-1114	Cover, Hopper	1
12	99.K0072	Machine Screw, 10-24 X 1/2 ZP	6
13	EG-1122	Mount, Cover Hinge	2
14	85.B0068	Bushing, 3/8 X 1/2 OD X 1/2 LG	2
15	90.0612	Bolt, 3/8-16 USS x 1-1/2	2
16	99.SF06	Nut, SRF 3/8-16 USS	11
17	99.SF0504-1	Bolt, SMF 5/16-18 USS x 1/2	46
18	99.SF0506-1	Bolt, SMF 5/16-18 USS x 3/4	6
19	99.F0043	Pin, Hinge 3/8-16 X 1-7/8 Ss	2
20	99.E0037	Nut, Jam 3/8-16 USS	2
21	EG-1113	Slide, Gate	1
22	64.0602	Bushing, 3/8 x 5/8 x .265	13
23	05.0171	Bumper, Neoprene 60 Duro	3
24	99.E0104	Nut, Jam #8-32 Nylon Lock	3
25	99.SF0404-1	Bolt, SMF 1/4-20 X 1/2	6
26	99.SF0606-1	Bolt, SMF 3/8-16 USS x 3/4	4
27	47.0086	Grip, Slip-On Handle - Black	1
28	EG-1119	Handle, Gate Slide	1
29	40.0415	Handle, Adjustable Position Clamping	1
30	90.0620	Bolt, Hex 3/8-16 UNC x 2-1/2	1
31	EG-1175	Bushing, 3/8 ID X 7/8 OD X 1.812L	1
32	47.0127	Latch, Rubber Draw T-Handle	2
33	EG-6062	Hinge, Hopper Cover	2

# PARTS

## ILLUSTRATED DRAWING Seed Box Cup & Spacer





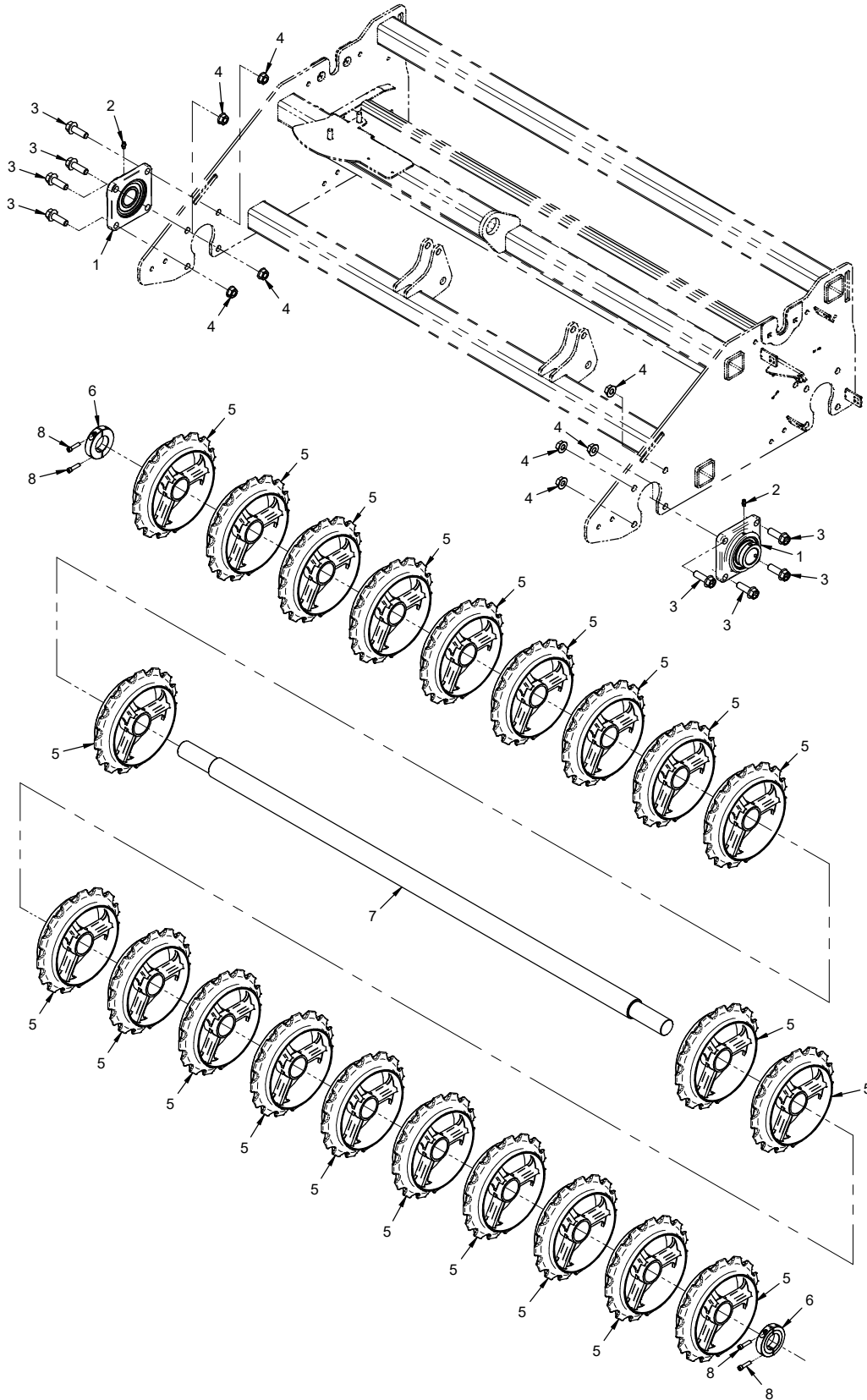
# PARTS

## Seed Box Cup & Spacer

REF.	PART NO.	DESCRIPTION	QTY.
1	EG-1115	Cup, Seed	17
2	EG-1116	Spacer, Seed Cup	34
3	EG-1171	Shaft, Seed Cup	1
4	85.SC12-H.	Shaft Collar, 3/4" Hex Shaft	2
5	05.0197.	Washer, Nylon .812 ID x 1.25 OD x .080.	2
6	83.H401012	Sprocket, #40 10-t 3/4" Bore	1
7	85.K0308	Key, 3/16 X 1.	1
8	85.SS19.	Set Screw, 1/4-20 x 1/4"	2

# PARTS

## ILLUSTRATED DRAWING Rear Cultipacker & Bearings



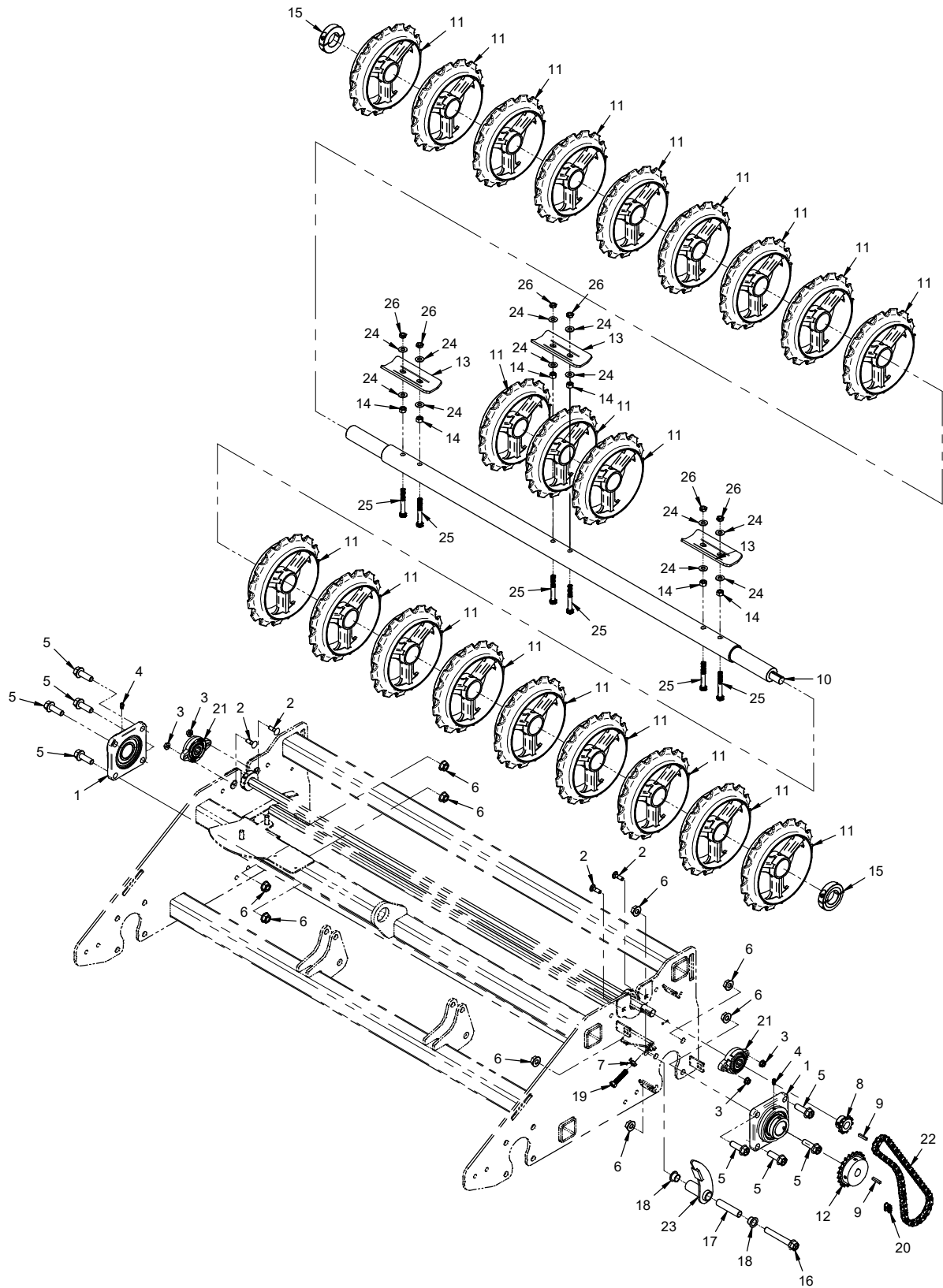
# PARTS

## Rear Cultipacker & Bearings

REF.	PART NO.	DESCRIPTION	QTY.
1	55.FB22023	Bearing, Flange Block 1-7/16"	2
2	29.GF0001	Grease Ftg, 1/4 SAE ST	2
3	99.SF0812-1	Bolt, SMF 1/2-13 x 1-1/2	8
4	99.SF08	Nut, SRF 1/2-13 USS	8
5	53.0218	Wheel, Cultipacker	22
6	85.SC23-2	Shaft Collar, Two Piece 1-7/16"	2
7	EG-1127	Shaft, Rear Cultipacker	1
8	99.K0078	Bolt, SHCS 1/4-28 x 1, GRD 8	4

# PARTS

## ILLUSTRATED DRAWING Front Cultipacker & Drive



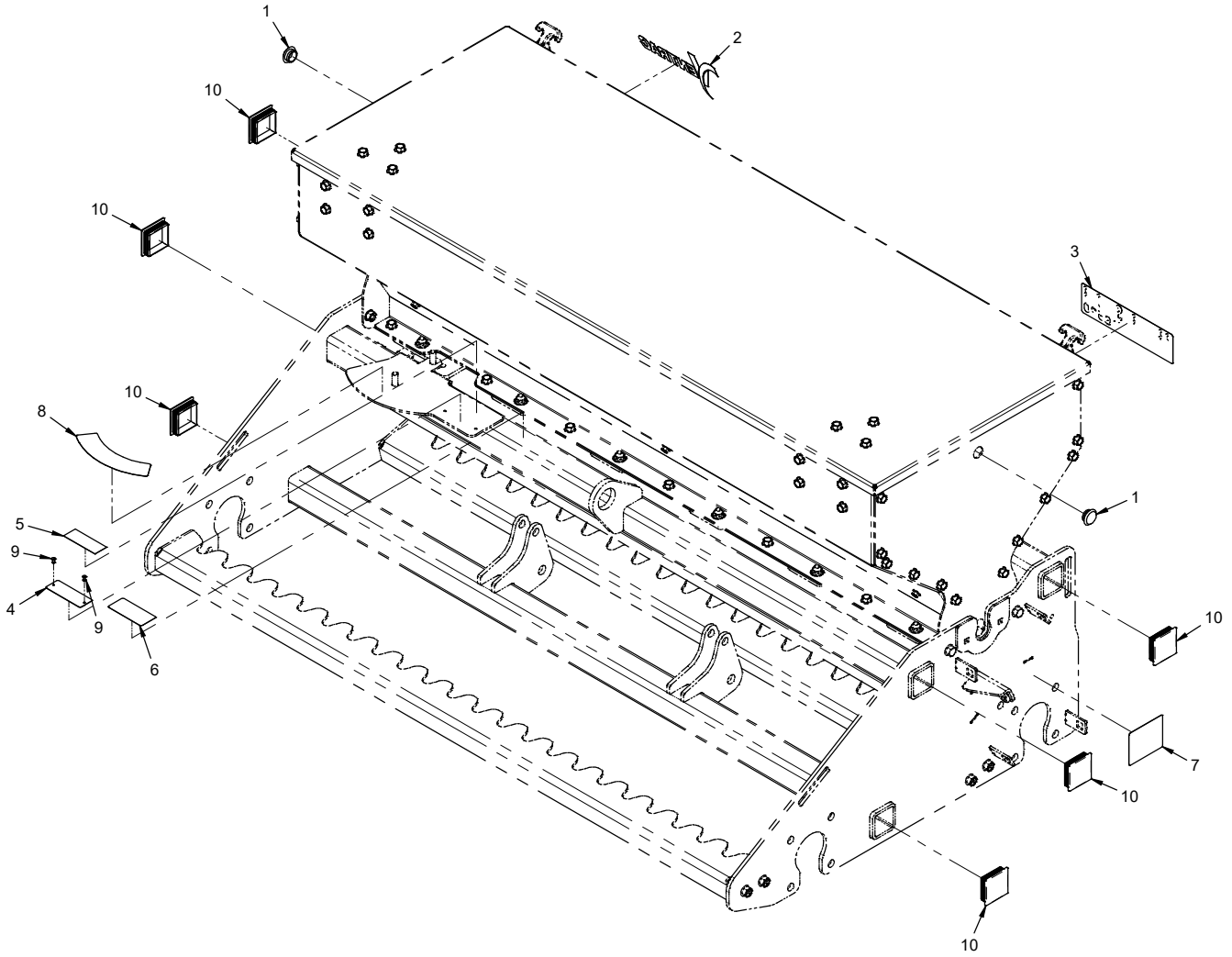
# PARTS

## Front Cultipacker & Drive

REF.	PART NO.	DESCRIPTION	QTY.
1	55.FB22023	Bearing, Flange Block 1-7/16"	2
2	97.0508	Bolt, Carriage 5/16-18 x 1	4
3	99.SF05	Nut, SRF 5/16-18 USS	4
4	29.GF0001	Grease Ftg, 1/4 SAE ST	2
5	99.SF0812-1	Bolt, SMF 1/2-13 x 1-1/2	8
6	99.SF08	Nut, SRF 1/2-13 USS	9
7	99.E0037	Nut, Jam 3/8-16 USS	1
8	83.H401012	Sprocket, #40 10-t 3/4" Bore	1
9	85.K0308	Key, 3/16 X 1	2
10	EG-1126	Shaft, Front Cultipacker	1
11	53.0218	Wheel, Cultipacker	21
12	83.H4021	Sprocket, #40 21-T 3/4" Bore	1
13	EG-1180	Bracket, Shaft Drive	3
14	92.06	Nut, 3/8-16 USS	6
15	85.SC23-2	Shaft Collar, Two Piece 1-7/16"	2
16	99.SF0828-1	Bolt, SMF 1/2-13 x 3-1/2	1
17	EG-1165	Bushing, Chain Tension Pivot	1
18	85.B0088	Bushing, 5/8 ID X 3/4 OD X 1/2	2
19	90.0614-2	BOLT, 3/8-16 X 1-3/4 TAP	1
20	81.0193	LINK, HALF #40 SS	1
21	55.FB16012-H	Bearing, Flange 3/4" Hex	2
22	81.0155	Chain, Roller #40 x 28-1/2" SS	1
23	EG-6068	Arm, Chain Tension	1
24	95.06	Washer, Flat 3/8 SAE	12
25	90.0622	Bolt, 3/8-16 USS x 2-3/4	6
26	99.A06C	Locknut, Center 3/8-16	6

# PARTS

## ILLUSTRATED DRAWING Decals



# PARTS

## Decals

REF.	PART NO.	DESCRIPTION	QTY.
1	05.0202	Plug, 13/16 Panel Hole	2
2	00.0672	Decal, Ventrac Black	1
3	00.0727	Decal, EG520	1
4	N/A	Plate, Ventrac Serial Number	1
5	00.0100	Decal, Built in the USA	1
6	00.0619	Decal, Read Operator's Manual	1
7	00.0625	Decal, Shield Missing	1
8	00.0721	Decal, Seeder Settings	1
9	04.0029	Rivet, Pop 1/8" X 1/4" SS	2
10	05.0203	PLUG, SQUARE FOR 2X2X3/16 TUBE	6