

# KD722

Power Angle Dozer Blade



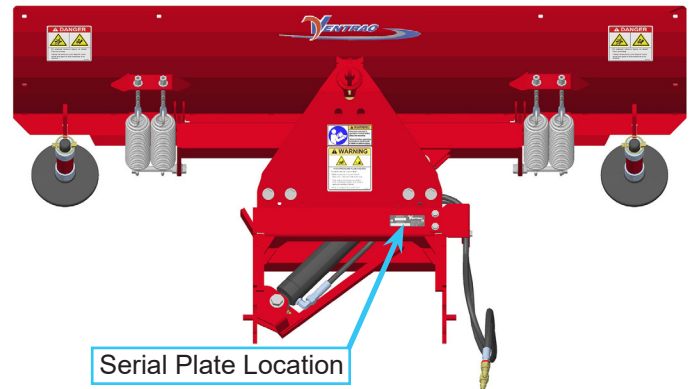
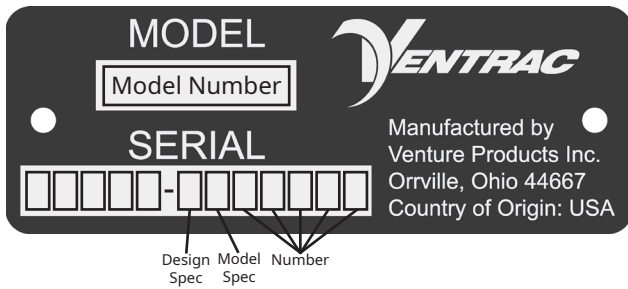


[View all manuals](#)



500 Venture Drive  
Orrville Oh 44667  
[www.ventrac.com](http://www.ventrac.com)

Visit [ventrac.com/manuals](http://ventrac.com/manuals) for the latest version of this parts manual. A downloadable operator's manual is also available.



### Notes

- If any component requires replacement, use only original Ventrac replacement parts.
- When ordering new components, be sure to order all required safety decals. All current safety decals must be affixed to the replacement components prior to installation of the component.

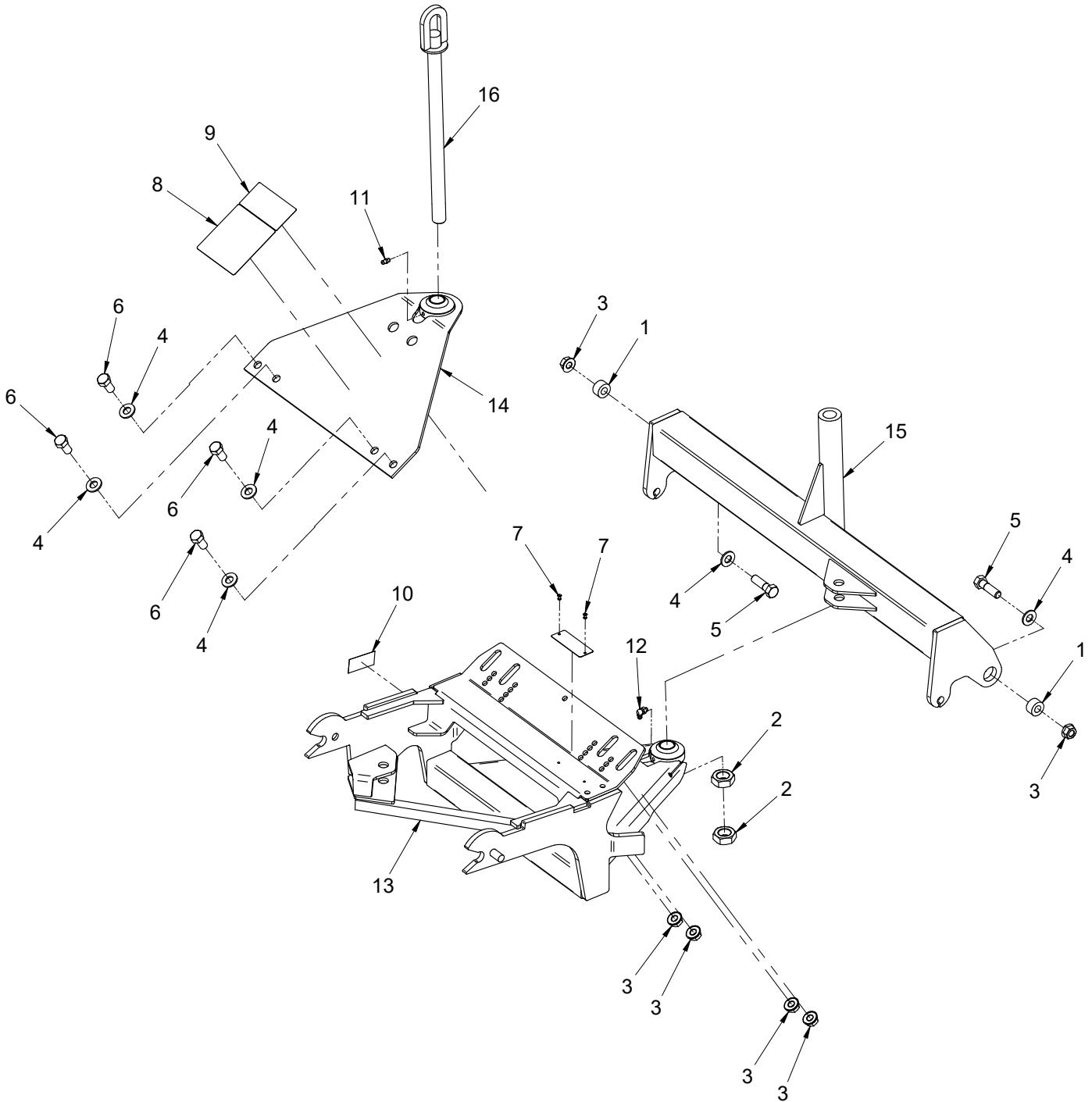
# TABLE OF CONTENTS

---

<b>PARTS</b>	<b>PAGE 4</b>
Hitch Frame & Yoke Crossbar.....	4
Hydraulic Power Angle.....	6
Blade, Cutting Edge, & Skid Shoes.....	8
<b>OPTIONS</b>	<b>PAGE 10</b>
Hardened Cutting Edge & 70.8031 Polyurethane Edge Kit.....	10
70.8157 KD Blade Wing Kit.....	12

# PARTS

## ILLUSTRATED DRAWING Hitch Frame & Yoke Crossbar



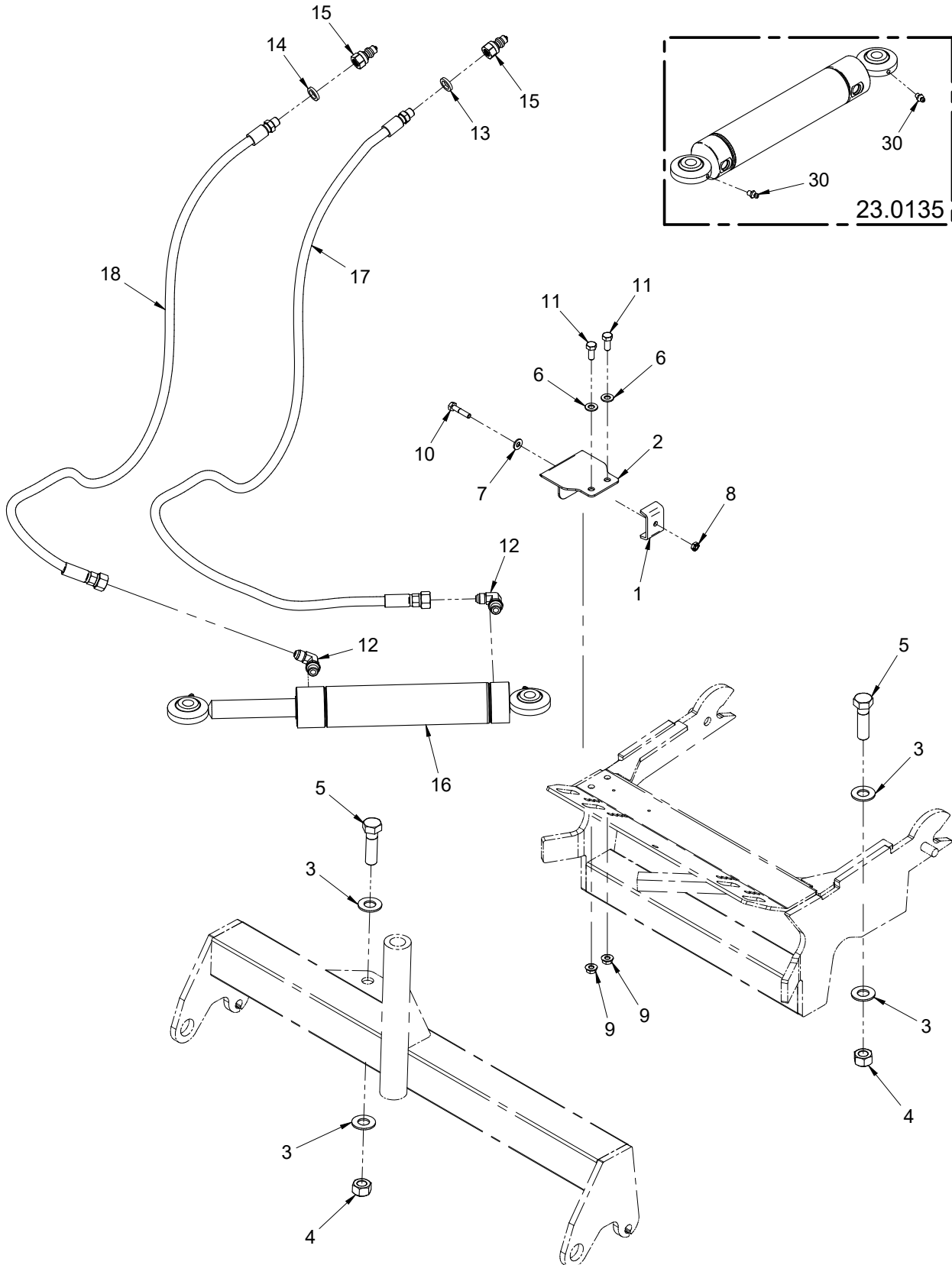
# PARTS

## Hitch Frame & Yoke Crossbar

REF.	PART NO.	DESCRIPTION	QTY.
1	64.0676	.BUSHING, CROSSBAR SPACER	2
2	99.E0074	.NUT, JAM 7/8-14 SAE	2
3	99.SF08	.NUT, SRF 1/2-13 USS	6
4	95.08	.WASHER, FLAT 1/2 SAE	6
5	90.0814	.BOLT, 1/2-13 USS X 1 3/4	2
6	90.0808	.BOLT, 1/2-13 USS X 1	4
7	04.0029	.RIVET, POP 1/8" X 1/4" SS	2
8	00.0103	.DECAL, HAZARD - HIGH PRESS. FLUID (Serial # 2000-3757)	1
8	00.0621	.DECAL, HIGH PRESSURE FLUID HAZARD (Serial # 3758-)	1
9	00.0217	.DECAL, WARNING READ OWNERS MANUAL (Serial # 2000-3757)	1
9	00.0619	.DECAL, READ OPERATOR'S MANUAL (Serial # 3758-)	1
10	00.0100	.DECAL, BUILT IN THE USA	1
11	29.GF0001	.GREASE FTG, 1/4 SAE ST	1
12	29.GF0002	.GREASE FTG, 1/4 SAE 90	1
13	62.0984	.FRAME, MAIN HITCH	1
14	64.1081	.PLATE, UPPER ANCHOR	1
15	62.0985	.YOKE, CROSSBAR BLD MT	1
16	64.1083	.PIN, CENTER PIVOT	1

# PARTS

## ILLUSTRATED DRAWING Hydraulic Power Angle



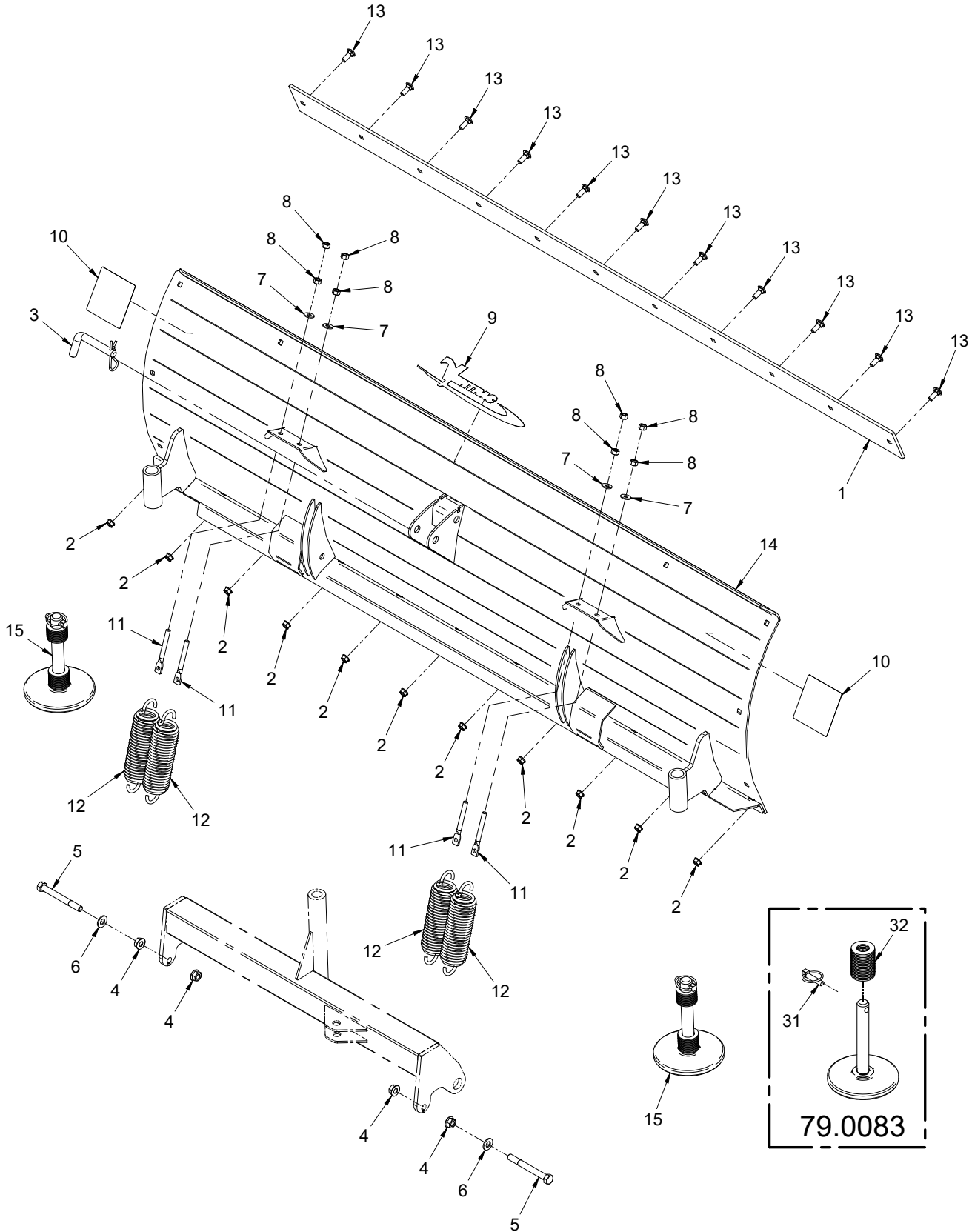
# PARTS

## Hydraulic Power Angle

REF.	PART NO.	DESCRIPTION	QTY.
1	64.0826	.CLAMP, HYD. HOSE	1
2	64.1082	.BRACKET, HOSE SUPPORT	1
3	95.10	.WASHER, FLAT 5/8 SAE	4
4	99.A10	.LOCKNUT, STOVER 5/8-11 USS	2
5	90.1018	.BOLT, 5/8-11 USS X 2-1/4	2
6	95.05	.WASHER, FLAT 5/16 SAE	2
7	95.04	.WASHER, FLAT 1/4 SAE	1
8	99.A04	.LOCKNUT, STOVER 1/4-20 USS	1
9	99.SF05	.NUT, SRF 5/16-18 USS	2
10	90.0410	.BOLT, 1/4-20 USS X 1-1/4"	1
11	90.0506	.BOLT, 5/16-18 USS X 3/4"	2
12	25.6801-06-06	.FITTING, 90 ME 3/8 X 3/8	2
13	05.0116	.WASHER, .544 ID X .817 X .14 RED	1
14	05.0117	.WASHER, .544 ID X .817 X .14 YEL	1
15	23.0104	.COUPLER, HYDRAULIC QUICK - 1/4 MALE	2
16	23.0135	.CYLINDER, 2" X 8" KD	1
17	20.0208	.HOSE, 1/4X55.00 SAE 100R17 AR	1
18	20.0209	.HOSE, 1/4X45.00 SAE 100R17 AR	1
30	29.GF0001	.GREASE FTG, 1/4 SAE ST	2

# PARTS

## ILLUSTRATED DRAWING Blade, Cutting Edge, & Skid Shoes





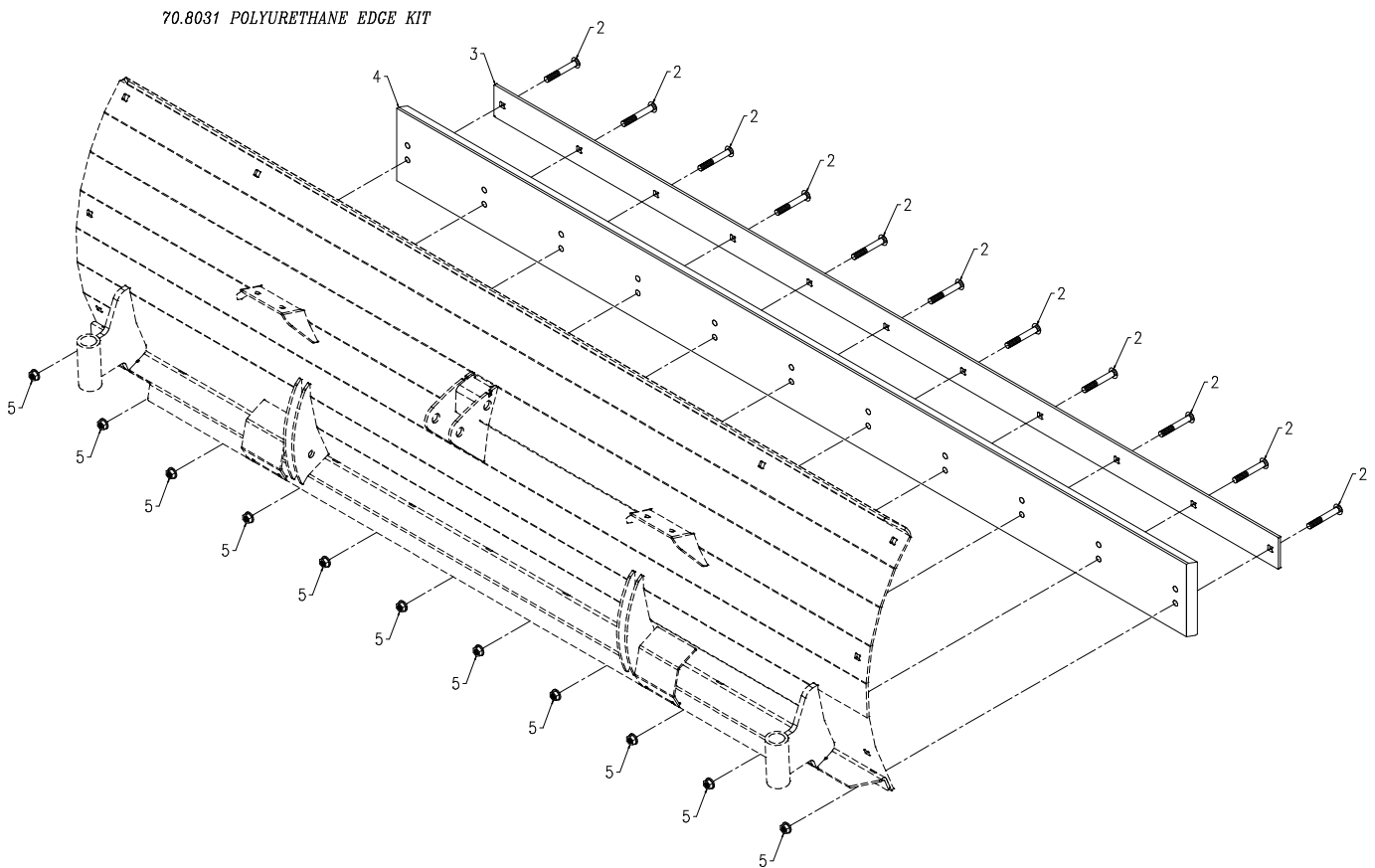
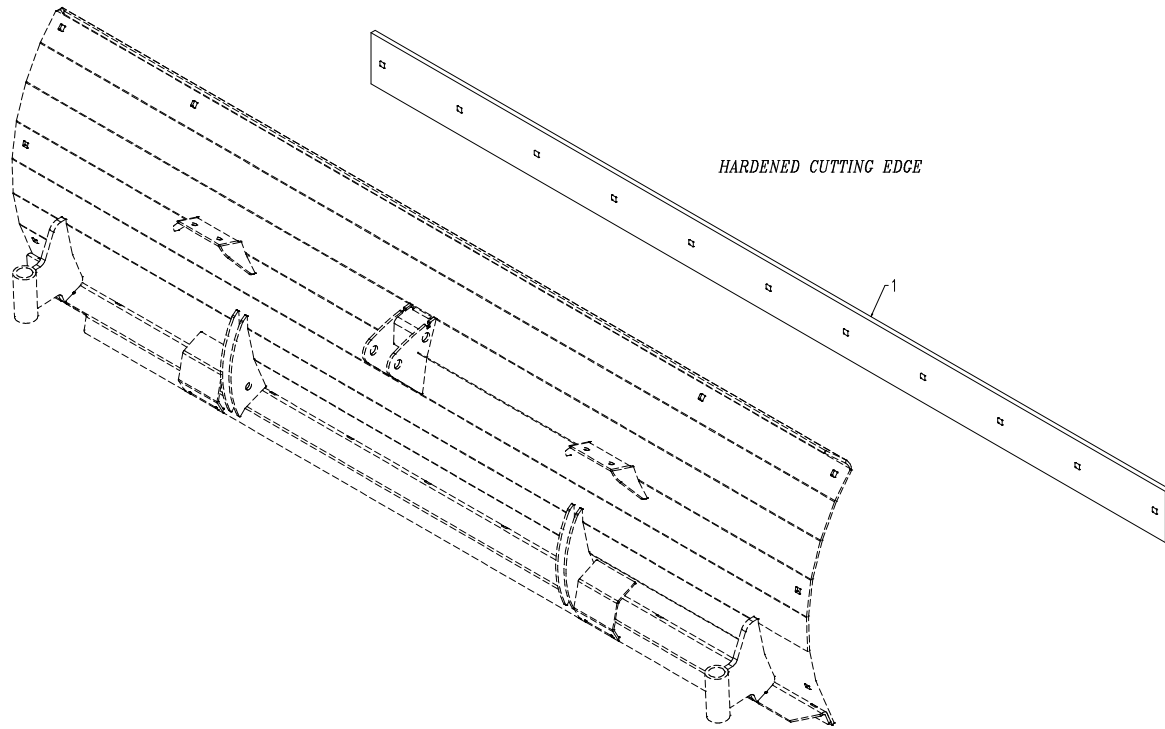
# PARTS

## Blade, Cutting Edge, & Skid Shoes

REF.	PART NO.	DESCRIPTION	QTY.
1	78.0041	.CUTTING EDGE, 72" (Serial # 2000-2499)	1
1	78.0059	.CUTTING EDGE, 72" THROUGH HARD (Serial # 2500-)	1
2	99.SF06	.NUT, SRF 3/8-16 USS	11
3	03.0014	.PIN, HITCH 5/8" X 3" USABLE	1
4	99.SF08	.NUT, SRF 1/2-13 USS	4
5	90.0836	.BOLT, 1/2-13 USS X 4-1/2	2
6	95.08	.WASHER, FLAT 1/2 SAE	2
7	94.05	.WASHER, FLAT 5/16 USS	4
8	92.06	.NUT, 3/8-16 USS	8
9	00.0189	.DECAL, VENTRAC ORBITAL	1
10	00.0102	.DECAL, DANGER - PINCHING HAZARDS (Serial # 2000-3757)	2
10	00.0620	.DECAL, PINCHING OR CRUSHING HAZARD (Serial # 3758-)	2
11	99.K0094	.BOLT, HANGER 3/8-16 X 4	4
12	41.0075	.SPRING, EXT 2" OD X 8-3/8" LG	4
13	97.0608	.BOLT, CARRIAGE 3/8 X 1 (Serial # 2000-2499)	11
13	97.0610	.BOLT, CARRIAGE 3/8 X 1 1/4 (Serial # 2500-)	11
14	62.1337	.BLADE, MAIN WELDMENT 2 SERIES	1
15	79.0083	.SHOE, SKID ROUND ASM	2
31	03.0005	.PIN, LYNCH	1
32	95.16	.WASHER, FLAT 1 SAE	19

# OPTIONS

## ILLUSTRATED DRAWING Hardened Cutting Edge & 70.8031 Polyurethane Edge Kit



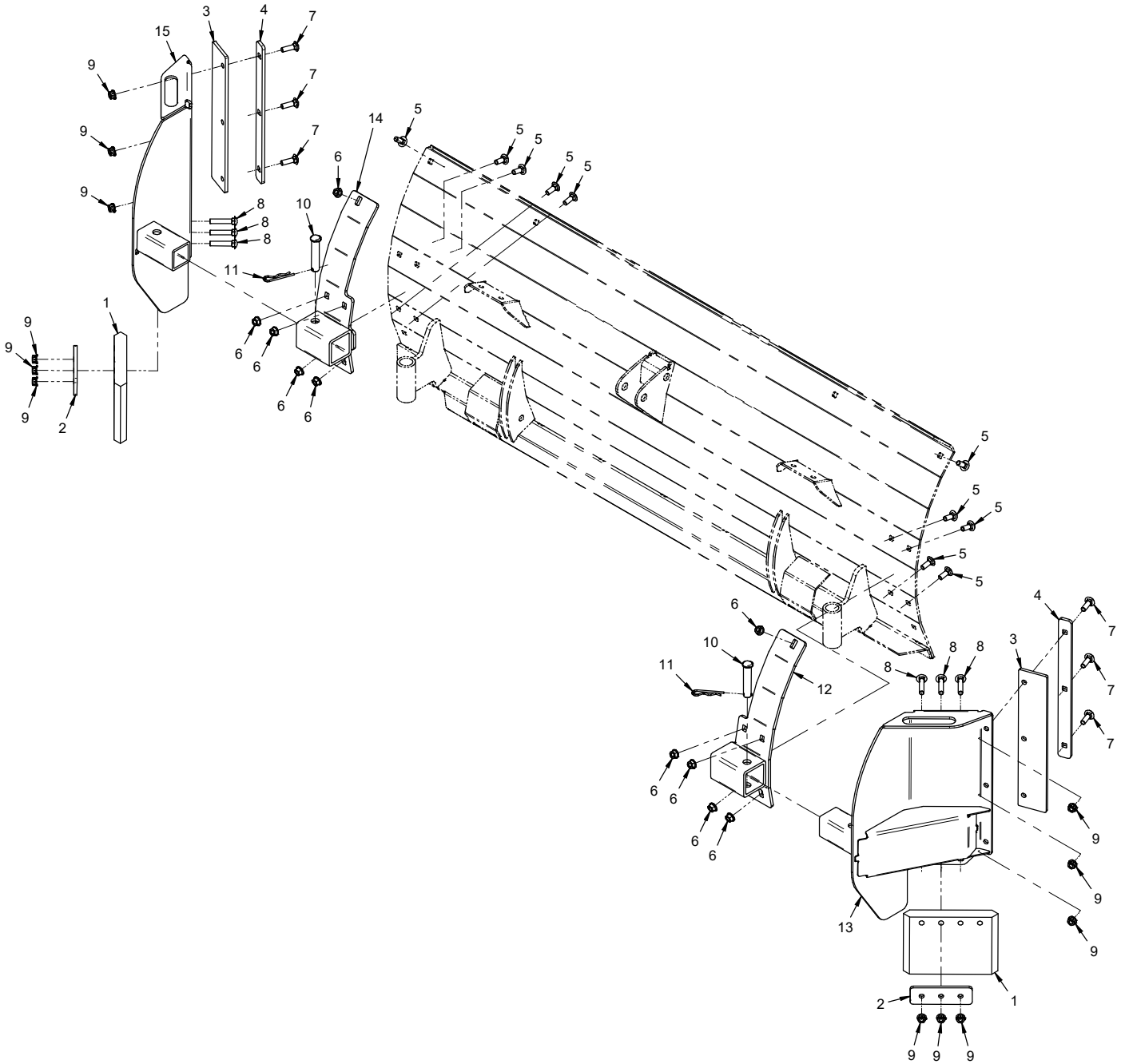
# OPTIONS

## Hardened Cutting Edge & 70.8031 Polyurethane Edge Kit

REF.	PART NO.	DESCRIPTION	QTY.
1	78.0059	CUTTING EDGE, 72" THROUGH HARD	1
2	97.0616	BOLT, CARRIAGE 3/8 X 2	11
3	64.1103	CLAMP, POLY BACKER 71-1/2L	1
4	44.0206	CUTTING EDGE, POLY 1 X 6 X 72L	1
5	99.SF06	NUT, SRF 3/8-16 USS.	11

# OPTIONS

## ILLUSTRATED DRAWING 70.8157 KD Blade Wing Kit



# OPTIONS

## 70.8157 KD Blade Wing Kit

REF.	PART NO.	DESCRIPTION	QTY.
1	KD-1016	CUTTING EDGE, BLADE WING LOWER	2
2	KD-1011	CLAMP, LOWER CUTTING EDGE	2
3	44.0419	CUTTING EDGE, BLADE WING SIDE	2
4	KD-1012	CLAMP, SIDE CUTTING EDGE	2
5	97.0608	BOLT, CARRIAGE 3/8-16 X 1	10
6	99.SF06	NUT, SRF 3/8-16 USS	10
7	97.0610	BOLT, CARRIAGE 3/8-16 X 1-1/4	6
8	97.0616	BOLT, CARRIAGE 3/8-16 X 2	6
9	99.E0082	NUT, LOCKING FLANGE 3/8-16	12
10	03.1024	CLEVIS PIN, 5/8 X 3 OAL ZP	2
11	02.HP0420	HAIRPIN, 1/8 X 2 9/16 ZP	2
12	KD-6010	FRAME, WING MOUNT RIGHT	1
13	KD-6011	FRAME, BLADE WING RIGHT	1
14	KD-6013	FRAME, WING MOUNT LEFT	1
15	KD-6014	FRAME, BLADE WING LEFT	1