

Parts Manual

HE482

Power Bucket





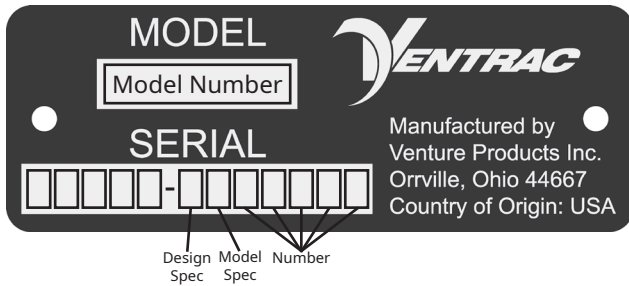
500 Venture Drive
Orrville Oh 44667
www.ventrac.com

View all manuals



Visit ventrac.com/manuals for the latest version of this parts manual. A downloadable operator's manual is also available.

Serial Number Description



Notes

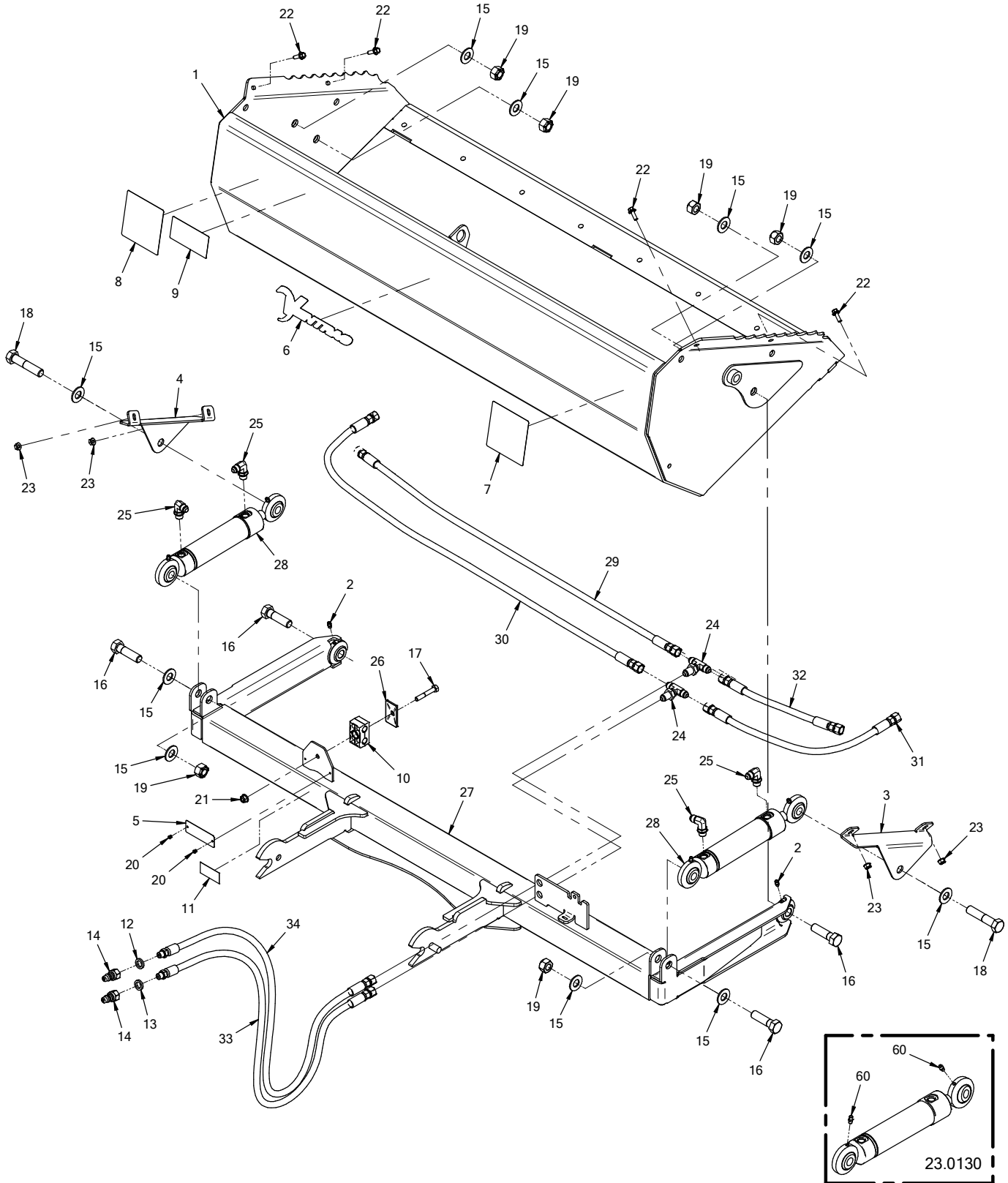
- If any component requires replacement, use only original Ventrac replacement parts.
- When ordering new components, be sure to order all required safety decals. All current safety decals must be affixed to the replacement components prior to installation of the component.

TABLE OF CONTENTS

PARTS	PAGE 4
HE482 Power Bucket.....	4
70.8124 Power Bucket Teeth Kit.....	6
70.8123 Power Bucket Grapple 48".....	8
70.8159 Bucket Extension Kit.....	10

PARTS

ILLUSTRATED DRAWING HE482 Power Bucket



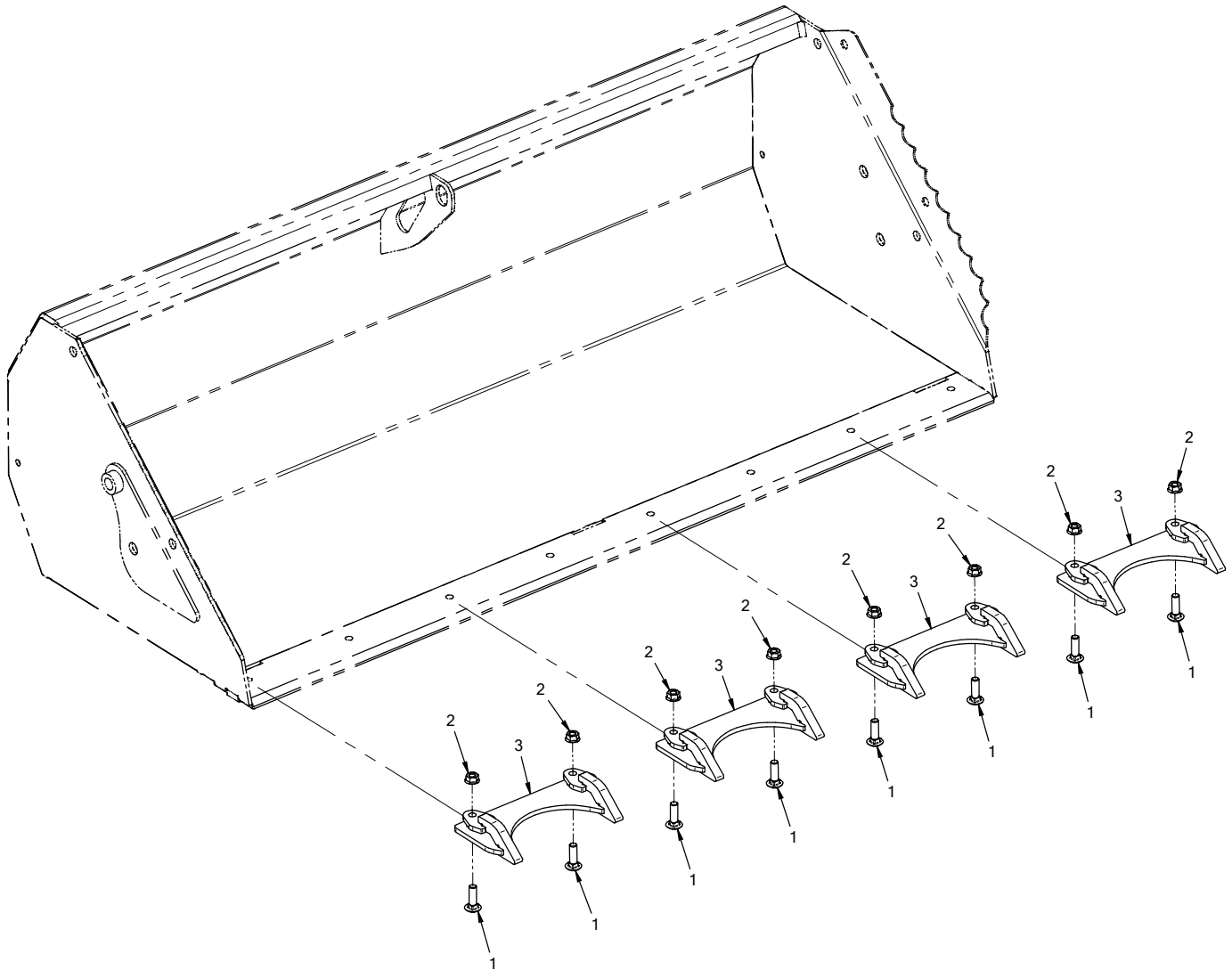
PARTS

HE482 Power Bucket

REF.	PART NO.	DESCRIPTION	QTY.
1	62.1343	.FRAME, SCOOP WELDMENT HE482	1
2	29.GF0001	.GREASE FTG, 1/4 SAE ST	2
3	60.1256	.COVER, CYLINDER RIGHT	1
4	60.1257	.COVER, CYLINDER LEFT	1
5	N/A	.PLATE, VENTRAC SERIAL NUMBER	1
6	00.0383	.DECAL, VENTRAC	1
7	00.0103	.DECAL, HAZARD - HIGH PRESS. FLUID (Serial # 01001-04852)	1
7	00.0621	.DECAL, HIGH PRESSURE FLUID HAZARD (Serial # 04853-)	1
8	00.0102	.DECAL, DANGER - PINCHING HAZARDS (Serial # 01001-04852)	1
8	00.0620	.DECAL, PINCHING OR CRUSHING HAZARD (Serial # 04853-)	1
9	00.0217	.DECAL, WARNING READ OWNERS MAN (Serial # 01001-04852)	1
9	00.0619	.DECAL, READ OPERATOR'S MANUAL (Serial # 04853-)	1
10	44.0256	.CLAMP, HYD HOSE 12.7MM ID GRN	1
11	00.0100	.DECAL, MADE IN USA	1
12	05.0117	.WASHER, .544 ID X .817 X .14 YEL	1
13	05.0116	.WASHER, .544 ID X .817 X .14 RED	1
14	23.0104	.COUPLER, HYDRAULIC QUICK - 1/4 MALE	2
15	95.10	.WASHER, FLAT 5/8 SAE	10
16	90.1018	.BOLT, 5/8-11 USS X 2-1/4	4
17	90.0516	.BOLT, 5/16-18 USS X 2"	1
18	90.1024	.BOLT, 5/8-11 USS X 3	2
19	99.A10	.LOCKNUT, STOVER 5/8-11 USS	6
20	04.0007	.RIVET, POP DOME 1/8 X 1/8 S.S.	2
21	99.E0102	.NUT, LOCKING FLANGE 5/16-18	1
22	99.SF0406-1	.BOLT, SMF 1/4-20 X 3/4	4
23	99.E0101	.NUT, LOCKING FLANGE 1/4-20	4
24	25.2703-6-6-6LN	.FITTING, BULKHEAD T 3/8 W/LNUT	2
25	25.6801-06-06	.FITTING, 90 ME 3/8 X 3/8	4
26	44.0229	.COVER PLATE, 2D GROUP	1
27	62.1344	.FRAME, HITCH WELDMENT 48"	1
28	23.0130	.CYLINDER, 1-1/2" X 5"	2
29	20.0121	.HOSE, 1/4 X 36.50 SAE 100R17AR	1
30	20.0122	.HOSE, 1/4 X 43.00 SAE 100R17AR	1
31	20.0123	.HOSE, 1/4 X 19.50 SAE 100R17AR	1
32	20.0124	.HOSE, 1/4 X 13.50 SAE 100R17AR	1
33	20.0166	.HOSE, 1/4 X 35.00 SAE 100R17AR	1
34	20.0166	.HOSE, 1/4 X 35.00 SAE 100R17AR	1
60	29.GF0001	.GREASE FTG, 1/4 SAE ST	2

PARTS

ILLUSTRATED DRAWING 70.8124 Power Bucket Teeth Kit



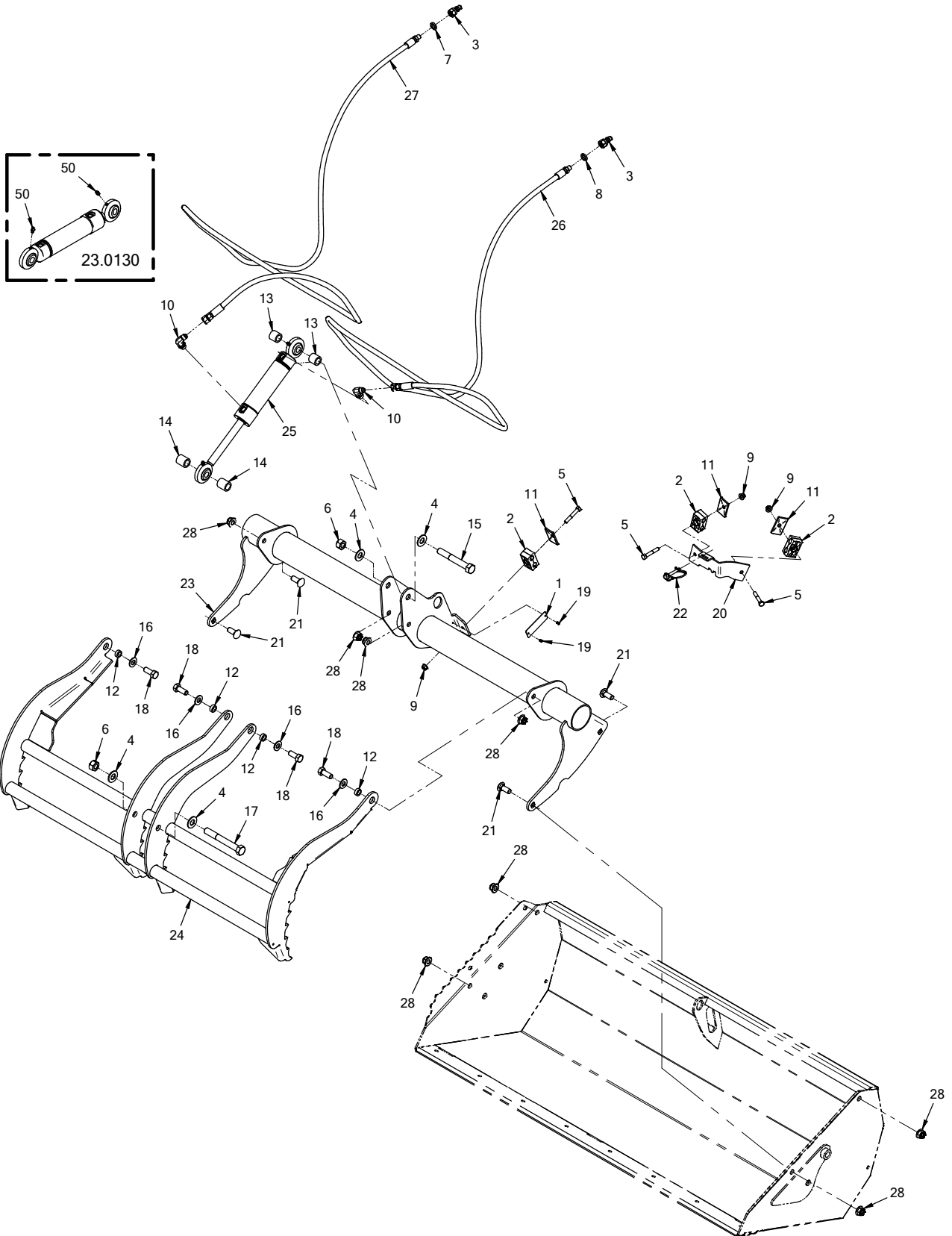
PARTS

70.8124 Power Bucket Teeth Kit

REF.	PART NO.	DESCRIPTION	QTY.
1	97.0610	BOLT, CARRIAGE 3/8 X 1-1/4	8
2	99.SF06	NUT, SRF 3/8-16 USS.	8
3	79.0090	TOOTH, DOUBLE TIP BUCKET	4

PARTS

ILLUSTRATED DRAWING 70.8123 Power Bucket Grapple 48"



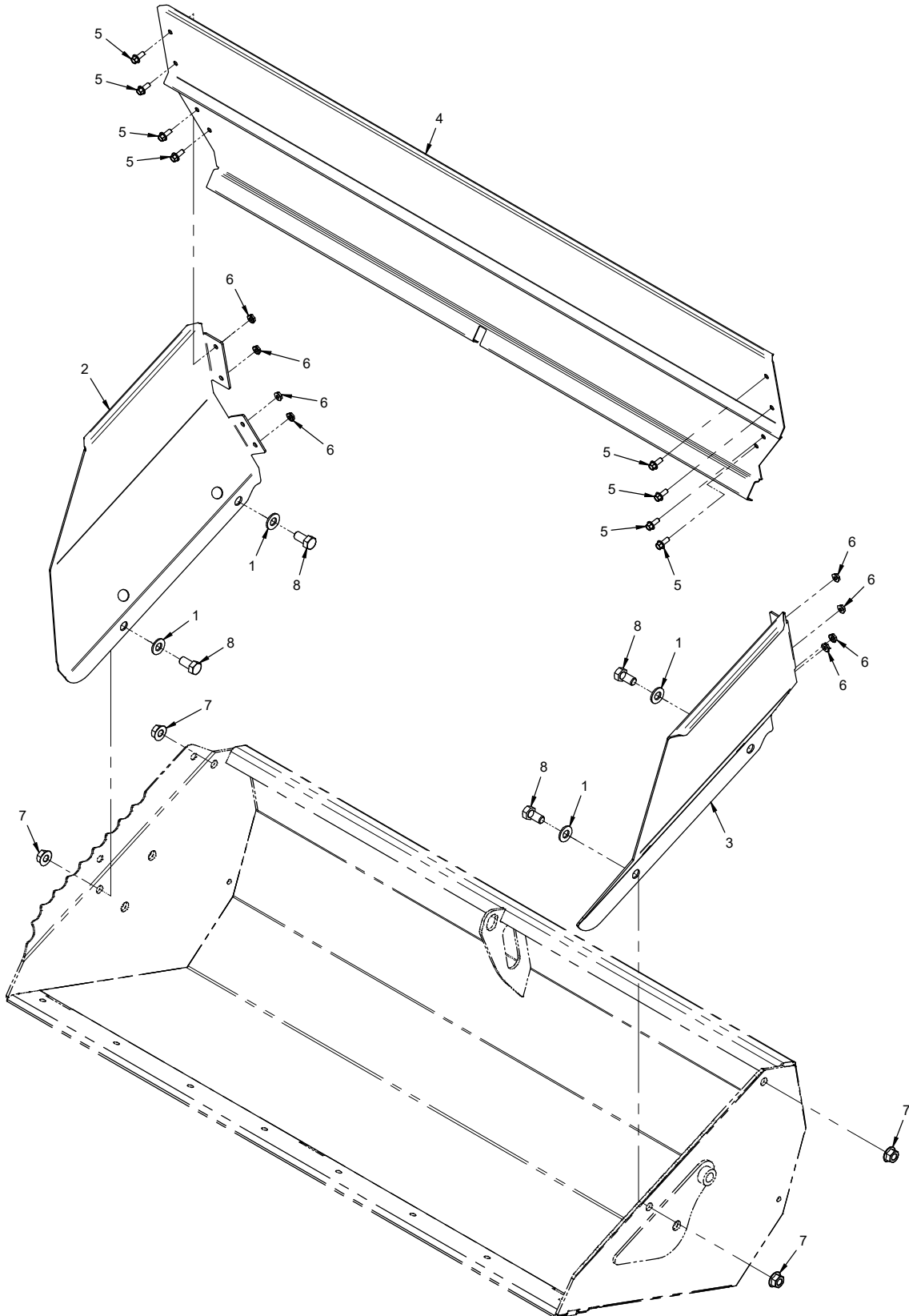
PARTS

70.8123 Power Bucket Grapple 48"

REF.	PART NO.	DESCRIPTION	QTY.
1	N/A	.PLATE, VENTRAC SERIAL NUMBER	1
2	44.0256	.CLAMP, HYD HOSE 12.7MM ID GRN.	3
3	23.0104	.COUPLER, HYDRAULIC QUICK - 1/4 MALE	2
4	95.10	.WASHER, FLAT 5/8 SAE	4
5	90.0516	.BOLT, 5/16-18 USS X 2"	3
6	99.A10	.LOCKNUT, STOVER 5/8-11 USS	2
7	05.0156	.WASHER, .544 X .817 X 14 NAT	1
8	05.0157	.WASHER, .544 X .817 X 14 BLK	1
9	99.E0102	.NUT, LOCKING FLANGE 5/16-18	3
10	25.6801-06-06	.FITTING, 90 ME 3/8 X 3/8	2
11	44.0229	.COVER PLATE, 2D GROUP	3
12	64.1537	.BUSHING, GRAPPLE HINGE	4
13	64.1539	.BUSHING, UPPER CYLINDER MOUNT	2
14	64.1538	.BUSHING, LOWER CYLINDER MOUNT	2
15	90.1036	.BOLT, 5/8-11 USS X 4-1/2	1
16	95.08	.WASHER, FLAT 1/2 SAE	4
17	90.1040	.BOLT, 5/8-11 USS X 5	1
18	90.0810	.BOLT, 1/2-13 USS X 1-1/4	4
19	04.0029	.RIVET, POP 1/8" X 1/4"	2
20	64.1540	.BRACKET, HOSE/CLAMP MOUNT	1
21	97.0810-5	.BOLT, CARRIAGE 1/2-13 X 1-1/4 GR5	4
22	03.0009	.PIN, SAFETY SNAP 1/4 X 1-3/8	1
23	62.1345	.FRAME, GRAPPLE MOUNT	1
24	62.1346	.FRAME, GRAPPLE	1
25	23.0130	.CYLINDER, 1-1/2" X 5"	1
26	20.0321	.HOSE, 1/4 X 97.50 SAE 100R17AR	1
27	20.0322	.HOSE, 1/4 X 101.50 SAE 100R17AR	1
28	99.E0119	.LOCKNUT, NYLON - FLANGED 1/2-13	8
50	29.GF0001	.GREASE FTG, 1/4 SAE ST	2

PARTS

ILLUSTRATED DRAWING 70.8159 Bucket Extension Kit



PARTS

70.8159 Bucket Extension Kit

REF.	PART NO.	DESCRIPTION	QTY.
1	95.08	WASHER, FLAT 1/2 SAE	4
2	60.1269	PANEL, RIGHT SIDE	1
3	60.1270	PANEL, LEFT SIDE	1
4	60.1271	PANEL, BACK	1
5	99.SF0405-1	BOLT, SMF 1/4-20 X 5/8	8
6	99.SF04	NUT, SF 1/4-20 USS	8
7	99.SF08	NUT, SF 1/2-13 USS	4
8	90.0808	BOLT, 1/2-13 USS X 1	4