

Parts Manual

# ET202

Turbine Blower



Revised 08/22/23  
09.20065 Rev. 01



500 Venture Drive  
Orrville Oh 44667  
www.ventrac.com

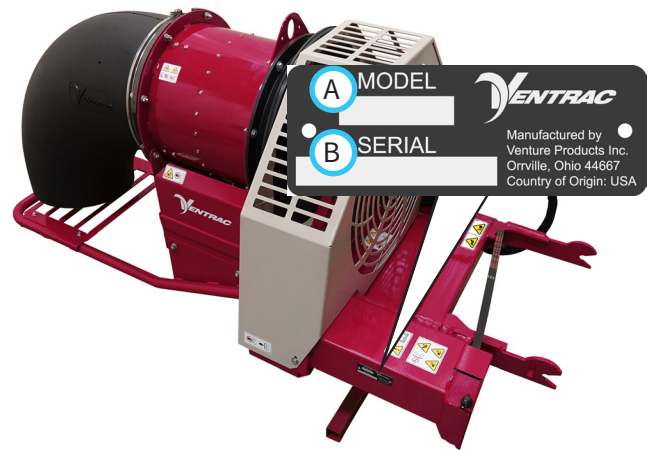
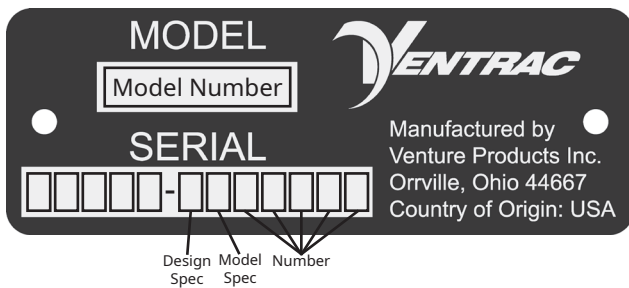
View all manuals



Visit [ventrac.com/manuals](http://ventrac.com/manuals) for the latest version of this parts manual.

A downloadable operator's manual is also available.

### Serial Number Description



### Notes

- If any component requires replacement, use only original Ventrac replacement parts.
- When ordering new components, be sure to order all required safety decals. All current safety decals must be affixed to the replacement components prior to installation of the component.

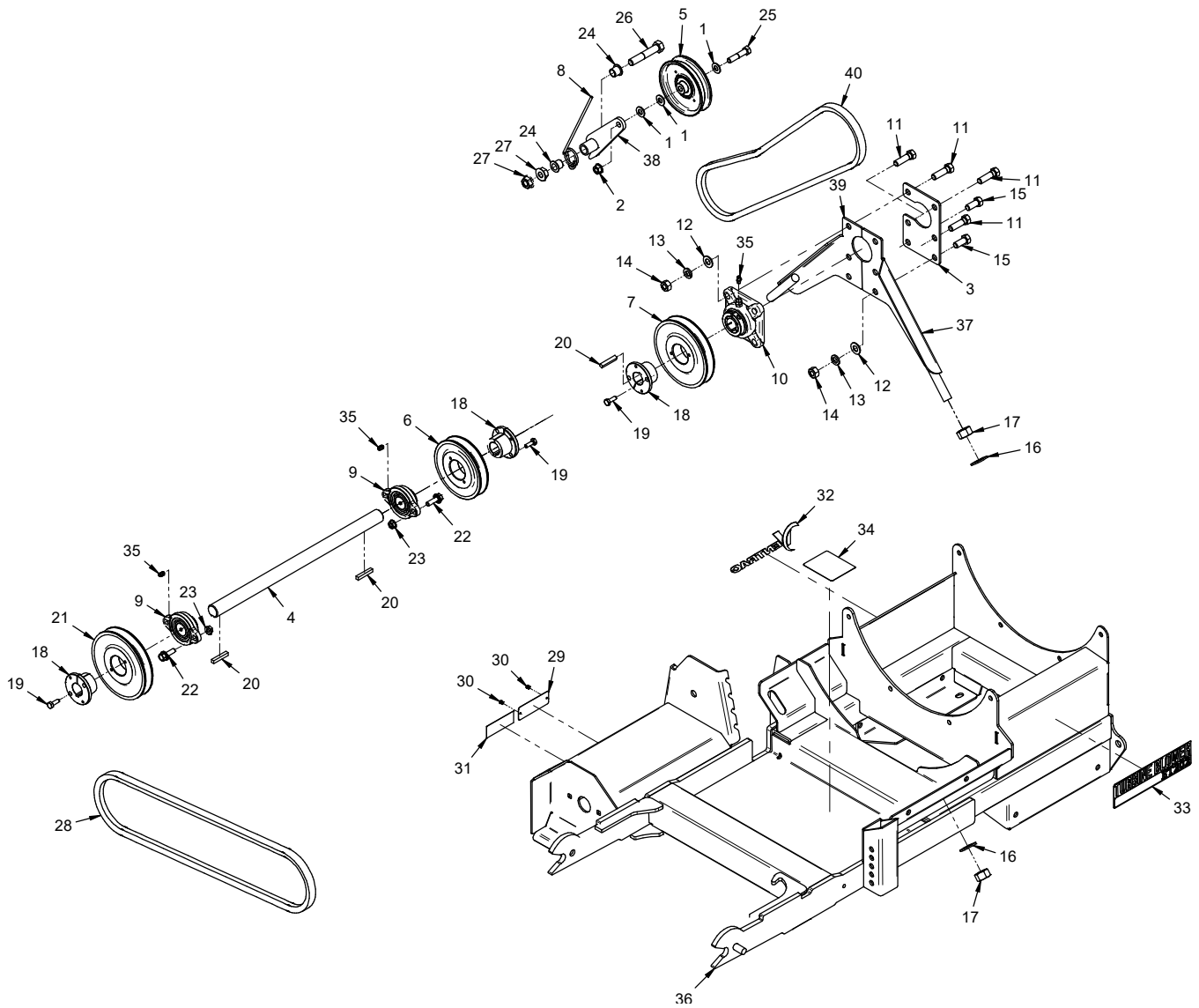
# TABLE OF CONTENTS

---

<b>PARTS</b>	<b>PAGE 4</b>
Main Frame & Blower Drive .....	4
Shields, Jack Stand & Caster Wheel .....	6
Hydraulic Nozzle Rotation Motor .....	8
Blower Mount & Discharge Nozzle.....	10
Turbine Assembly .....	12
<b>OPTIONS</b>	<b>PAGE 14</b>
Light Kit (70.8230).....	14

# PARTS

## ILLUSTRATED DRAWING Main Frame & Blower Drive



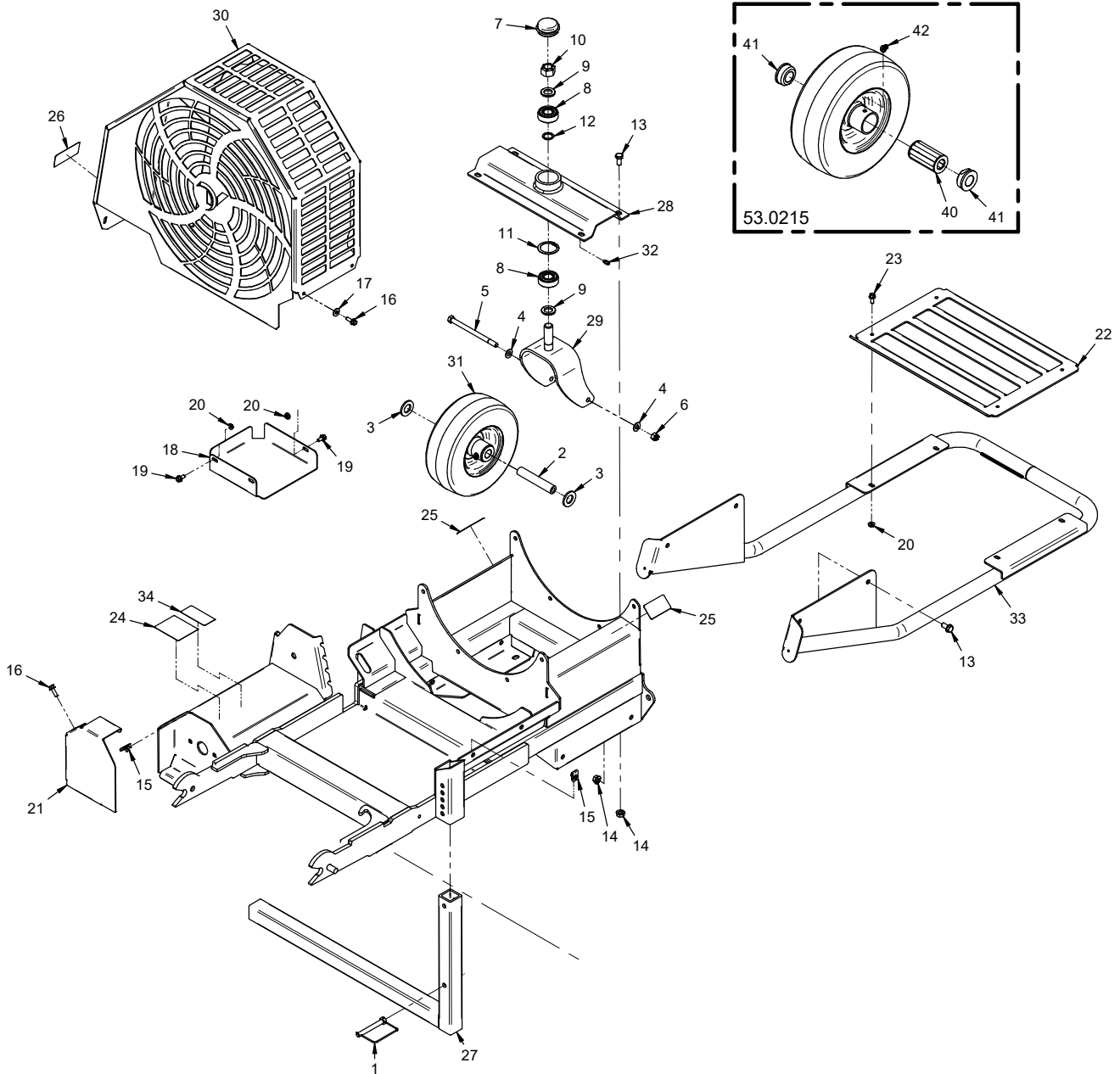
# PARTS

## Main Frame & Blower Drive

REF.	PART NO.	DESCRIPTION	QTY.
1	95.06	Washer, Flat 3/8 SAE	3
2	99.SF06	Nut, SRF 3/8-16 USS	1
3	64.1141	Plate, Main Bearing Backing	1
4	80.0349	Shaft, 1 X 17-1/4L Keyed En	1
5	83.0037	Pulley, Idler Flat 4" X 3/8	1
6	83.BK50H	Pulley, 5" H-Bush	1
7	83.BK57H	Pulley, 5.7" H-Bush	1
8	41.0066	Spring, Single Torsion Lh	1
9	55.FB16016-1	Bearing, Flange Block 1"	2
10	55.FB22016-2	Bearing, Flange, 1"	1
11	90.0712	Bolt, 7/16-14 USS x 1-1/2	4
12	95.07	Washer, Flat 7/16 SAE	6
13	96.07	Washer, Lock 7/16	6
14	92.07	Nut, 7/16-14 USS	6
15	90.0708	Bolt, 7/16-14 USS x 1	2
16	95.10	Washer, Flat 5/8 SAE	4
17	93.10	Nut, 5/8-18 SAE	4
18	83.H16S	Bushing, 1" Split 1/4" Key	3
19	90.0406-1	Bolt, 1/4-20 USS x 3/4 Blk	6
20	85.K0412	Key, 1/4 X 1-1/2	3
21	83.BK55H	Pulley, 5.5" H-Bushing	1
22	99.SF0508	Bolt, SRF 5/16-18 USS x 1	4
23	99.SF05	Nut, SRF 5/16-18 USS	4
24	85.B0027	Bushing, 1/2 ID X 5/8 OD X 5/8	2
25	90.0614	Bolt, 3/8-16 USS x 1-3/4	1
26	90.0822	Bolt, 1/2-13 USS x 2-3/4	1
27	99.SF08	Nut, SRF 1/2-13 USS	2
28	81.B046	Belt, B46R	1
29	N/A	Plate, Ventrac Serial Number	1
30	04.0007	Rivet, Pop 1/8 X 1/8 SS	2
31	00.0100	Decal, Built in the USA	1
32	00.0688	Decal, Ventrac White	1
33	00.0689	Decal, ET202	1
34	00.0625	Decal, Shield Missing	1
35	29.GF0001	Grease Ftg, 1/4 SAE ST	3
36	ET-6000	Frame, Main ET202	1
37	64.1119	Bracket, Main Bearing MT Right	1
38	64.1121	Tightner, Main Drive Belt	1
39	64.1140	Bracket, Main Bearing MT Left	1
40	81.B047	Belt, B47	1

# PARTS

## ILLUSTRATED DRAWING Shields, Jack Stand & Caster Wheel



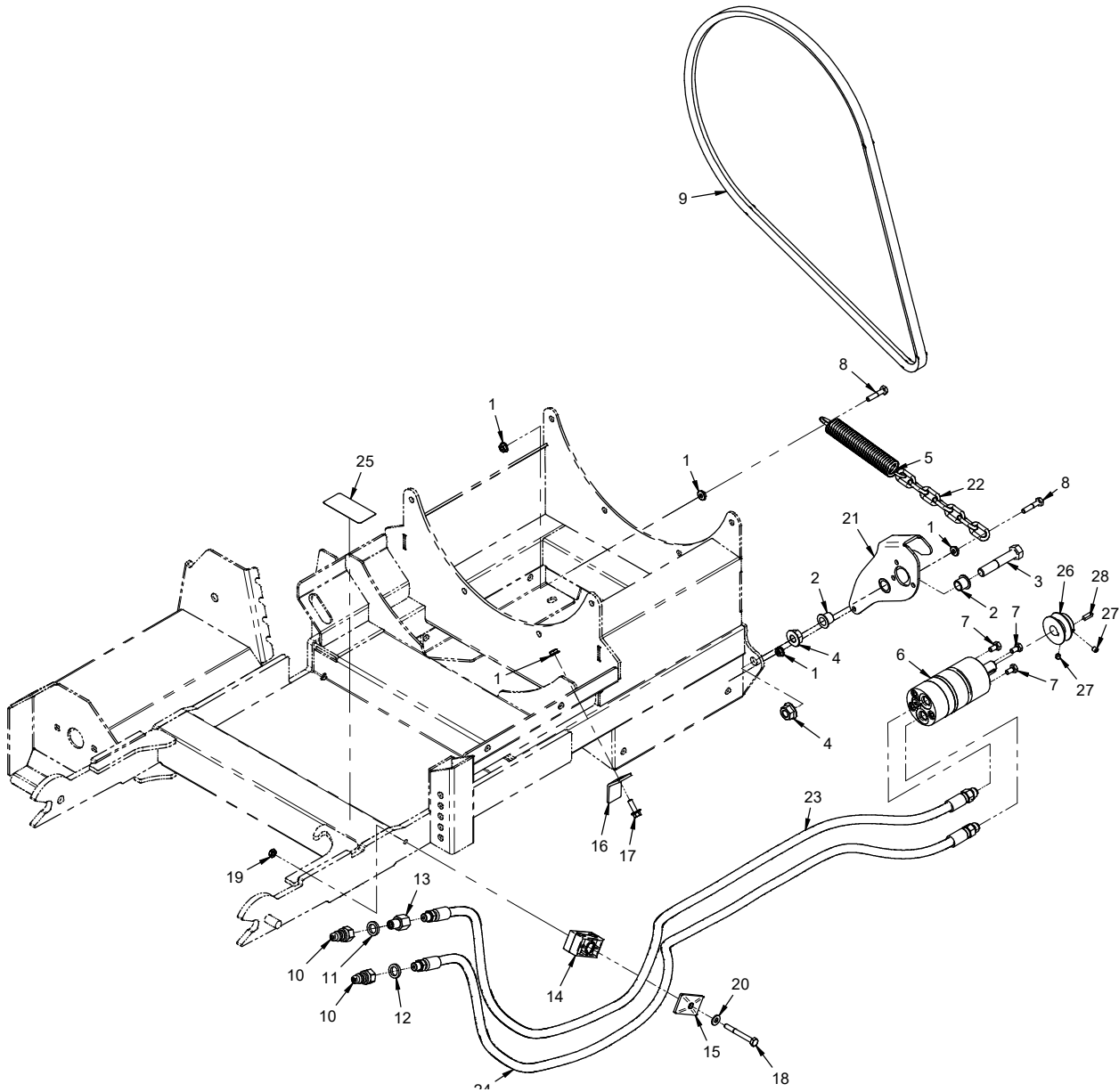
# PARTS

## Shields, Jack Stand & Caster Wheel

REF.	PART NO.	DESCRIPTION	QTY.
1	03.0015	.Pin, Safety Snap 3/8 X 3"	1
2	50.0055	.Tube, Axle-Wheel Lm	1
3	95.12	.Washer, Flat 3/4 SAE	2
4	95.06	.Washer, Flat 3/8 SAE	2
5	90.0644	.Bolt, 3/8-16 USS x 5-1/2	1
6	99.A06N	.Locknut, Nylon 3/8-16.	1
7	53.0080	.Dust Cap, Bearing Mower Caster	1
8	55.0023	.Bearing, Ball .75 ID X 1.78 OD	2
9	99.B0057-2	.Washer, Mach 3/4 x 1-1/4 10 GA ZP	2
10	99.A12NF	.Locknut, Stover 3/4-16 SAE	1
11	04.0013	.Snap Ring, Int .062 X 1.75	1
12	99.B0052	.Shim, Steel 3/4 x 1 x .062 Blk	1
13	99.SF0606	.Bolt, SRF 3/8-16 USS x 3/4	8
14	99.SF06	.Nut, SRF 3/8-16 USS	8
15	99.E0046	.Nut, "U" 1/4-20 Extruded	5
16	99.SF0406-1	.Bolt, SMF 1/4-20 X 3/4.	5
17	94.04	.Washer, Flat 1/4 USS	4
18	ET-1018	.Shield, Turbine Belt Lower	1
19	99.SF0404-1	.Bolt, SMF 1/4-20 X 1/2.	3
20	99.SF04	.Nut, SRF 1/4-20 USS	7
21	60.0665	.Shield, Drive Pulley	1
22	ET-1014	.Plate, Air Deflector	1
23	99.SF0405-1	.Bolt, SMF 1/4-20 X 5/8.	4
24	00.0626	.Decal, Entanglement Hazard.	1
25	00.0631	.Decal, Finger/Hand Entanglement	2
26	00.0632	.Decal, Moving Parts Hazard.	1
27	ET-6001	.Stand, ET202	1
28	64.1120	.Frame, Caster Wheel Mount	1
29	50.0185	.Spindle, Tire Swivel 9"	1
30	64.1124	.Screen, Inlet	1
31	53.0215	.Wheel, Asm 9 x 3.5 x 4 Flatfree	1
32	29.GF0001	.Grease Ftg, 1/4 SAE ST	1
33	ET-6002	.Guard, Discharge Nozzle	1
34	00.0619	.Decal, Read Operator's Manual.	1
40	55.0115	.Bearing, Roller 2.50" Long	1
41	55.0114	.Retainer, Roller Bearing 3/4"	2
42	29.GF0003	.Grease Ftg, 1/4 SAE 45	1

# PARTS

## ILLUSTRATED DRAWING Hydraulic Nozzle Rotation Motor





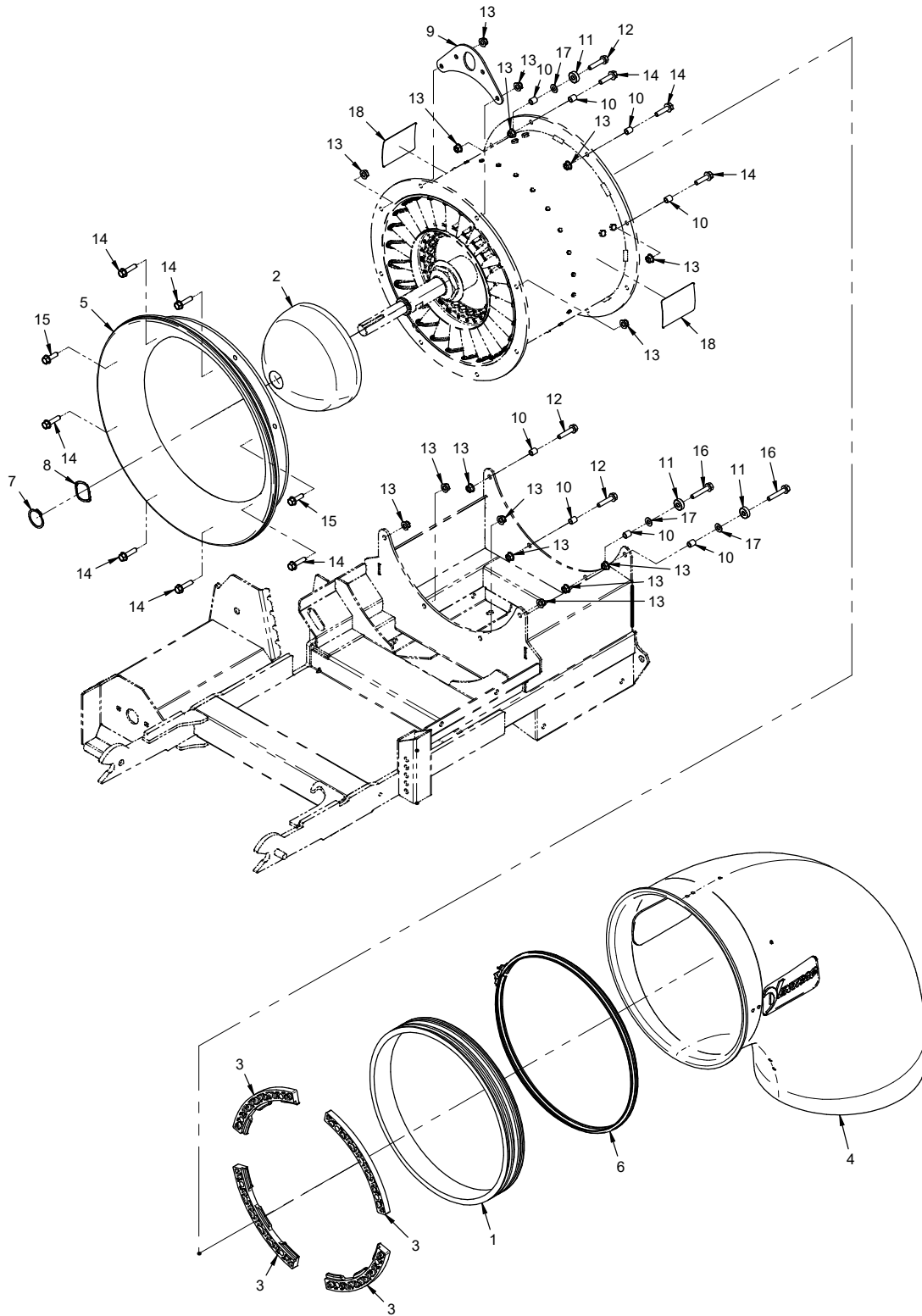
# PARTS

## Hydraulic Nozzle Rotation Motor

REF.	PART NO.	DESCRIPTION	QTY.
1	99.SF04	Nut, SRF 1/4-20 USS	5
2	85.B0027	Bushing, 1/2 ID X 5/8 OD X 5/8	2
3	90.0822	Bolt, 1/2-13 USS x 2-3/4	1
4	99.SF08	Nut, SRF 1/2-13 USS	2
5	41.0048	Spring, Ext. 1 Od X 6	1
6	21.0113	Motor, Hyd 1.93 Cu.In.	1
7	91.0404	Bolt, 1/4-28 SAE x 1/2	3
8	90.0410	Bolt, 1/4-20 USS x 1/1-4"	2
9	81.AX56	Belt, AX56	1
10	23.0104	Coupler, Quick Male 1/4	2
11	05.0117	Washer, .544 ID x .817 x .14 Yel	1
12	05.0116	Washer, .544 ID x .817 x .14 Red	1
13	29.0092	Fitting, .025 Orifice 1/4 Pipe	1
14	44.0256	Clamp, Hyd Hose 12.7mm ID 2 Cavity (Set of 2)	1
15	44.0229	Cover Plate, Group 2D (2 Cavity)	1
16	64.1125	Clamp, Hose	1
17	99.SF0406	Bolt, SRF 1/4-20 X 3/4	1
18	90.0418	Bolt, 1/4-20 USS x 2-1/4	1
19	99.A04	Locknut, Stover 1/4-20 USS	1
20	95.04	Washer, Flat 1/4 SAE	1
21	64.1122	Mount, Rotating Motor	1
22	81.0150	Chain, 3/16 x 7 Links 7-1/8"	1
23	20.0214	Hose, 1/4x63.00 SAE 100R17 AR	1
24	20.0214	Hose, 1/4x63.00 SAE 100R17 AR	1
25	00.0621	Decal, High Pressure Fluid Hazard	1
26	83.AS1710	Pulley, AS 1.7" 5/8" Bore	1
27	85.SS19	Set Screw, 1/4-20 x 1/4"	2
28	85.K0307	Key, 3/16 x 5/8	1

# PARTS

## ILLUSTRATED DRAWING Blower Mount & Discharge Nozzle



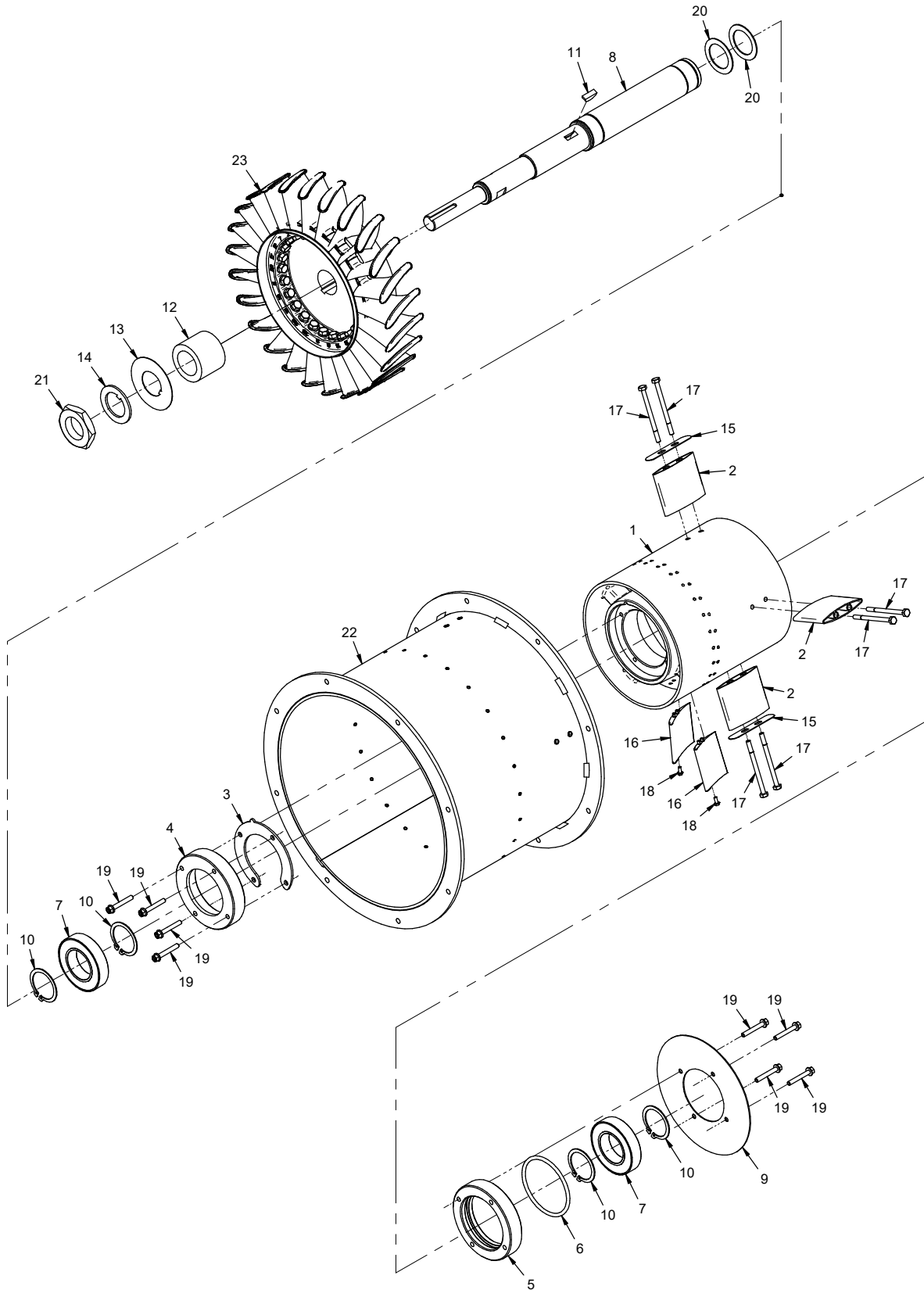
# PARTS

## Blower Mount & Discharge Nozzle

REF.	PART NO.	DESCRIPTION	QTY.
1	ET-1050	Pulley, Nozzle	1
2	ET-1051	Cap, Intake	1
3	ET-1052	Guide, Nozzle	4
4	ET-1071	Nozzle, Turbine	1
5	ET-1053	Bell, Inlet	1
6	11.0089	Clamp, Band Turbine Nozzle	1
7	04.0053	Snap Ring, Ext. .050 x 1.333	1
8	ET-1065	Washer, Wavy 1.464 ID	1
9	ET-1012	Plate, Lift Ring	1
10	64.2036	SPACER, .322 x .438 x .500L	8
11	55.0118	Bearing, Ball .3125in x 22mm x 7mm	3
12	99.SF0512-1	Bolt, SMF 5/16-18 X 1-1/2	3
13	99.E0102	Nut, Locking Flange 5/16-18	16
14	99.SF0510-1	Bolt, SMF 5/16-18 USS X 1-1/4	9
15	99.SF0508-1	Bolt, SMF 5/16-18 x 1	2
16	99.SF0514-1	Bolt, SMF 5/16-18 x 1-3/4	2
17	95.05	Washer, Flat 5/16 SAE	3
18	00.0682	Decal, Turbine Blower Hazard	2

# PARTS

## ILLUSTRATED DRAWING Turbine Assembly



# PARTS

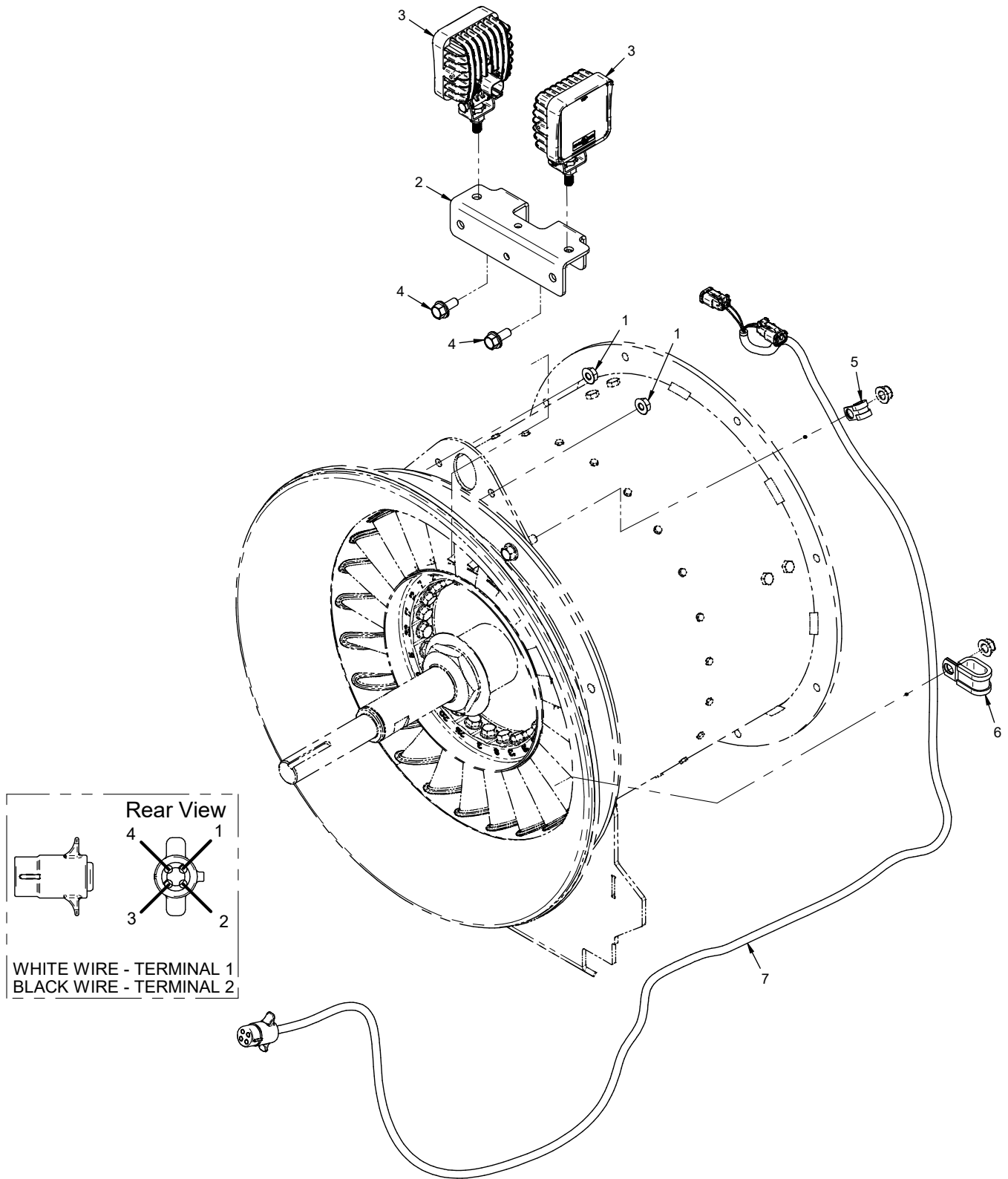
## Turbine Assembly

REF.	PART NO.	DESCRIPTION	QTY.
1	ET-1054	Housing, Inner	1
2	ET-1055	Mount, Fin	4
3	ET-1057	Cap, End	1
4	ET-1058	Cap, Bearing	1
5	ET-1059	End Cap, O-Ring	1
6	26.0053	O-Ring, 3.600 ID x 4.020 OD	1
7	55.0117	Bearing, Ball 50mm x 90mm x 20mm	2
8	ET-1066	Shaft, Turbine	1
9	ET-1060	PLATE, CENTER	1
10	04.0052	Snap Ring, Ext. .062 x 1.819	4
11	85.W0508	Key, Woodruff 5/16 x 1	1
12	ET-1061	Spacer, Rotor	1
13	ET-1063	Washer, 1.655 ID x 3.5 OD Tab	1
14	ET-1064	Washer, 1.655 ID x 2.5 OD Tab	1
15	ET-1062	Spacer, Fin	A/R*
16	ET-1056	Vane, Stator	24
17	90.0428	Bolt, 1/4-20 USS x 3-1/2	8
18	99.K0181	Bolt, SRF #8-32 x 3/8"	24
19	99.SF0414-1	Bolt, SMF 1/4-20 x 1-3/4	8
20	99.B0142	Washer, 1.645 ID x 2.35 OD x .060	2
21	99.E0153	Nut, 1-5/8-12 UN LH	1
22	ET-1070	Housing, Outer	1
23	ET-6005	Asm, Rotor	1

\*Use the spacers to center the turbine shaft in the outer housing.

# OPTIONS

## ILLUSTRATED DRAWING Light Kit (70.8230)



# OPTIONS

## Light Kit (70.8230)

REF.	PART NO.	DESCRIPTION	QTY.
1	99.SF05	Nut, SRF 5/16-18 USS	2
2	ET-1013	Bracket, Light Mount	1
3	33.0087	Light, LED Flood with Bracket	2
4	99.SF0506	Bolt, SRF 5/16-18 USS x 3/4	2
5	11.0080	Clamp, Cushioned 3/8"	1
6	11.0046	Clamp, Cushioned 1/2" 2-Tube	1
7	32.0236	Harness, Wire Light ET/KA	1