

Parts Manual

MU720

Rear Discharge Mower

Europe CE



Revised 08/11/22
09.20046 Rev. 03



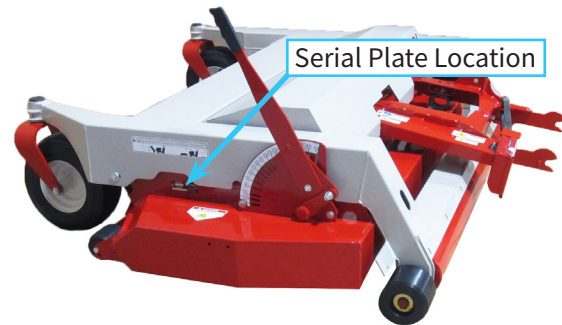
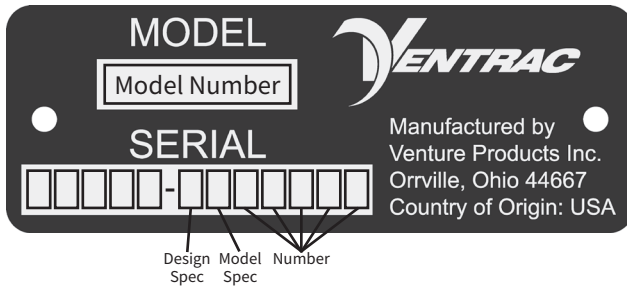
500 Venture Drive
Orrville Oh 44667
www.ventrac.com

[View all manuals](#)



Visit ventrac.com/manuals for the latest version of this operator's manual. A downloadable parts manual is also available.

Serial Number Description



Notes

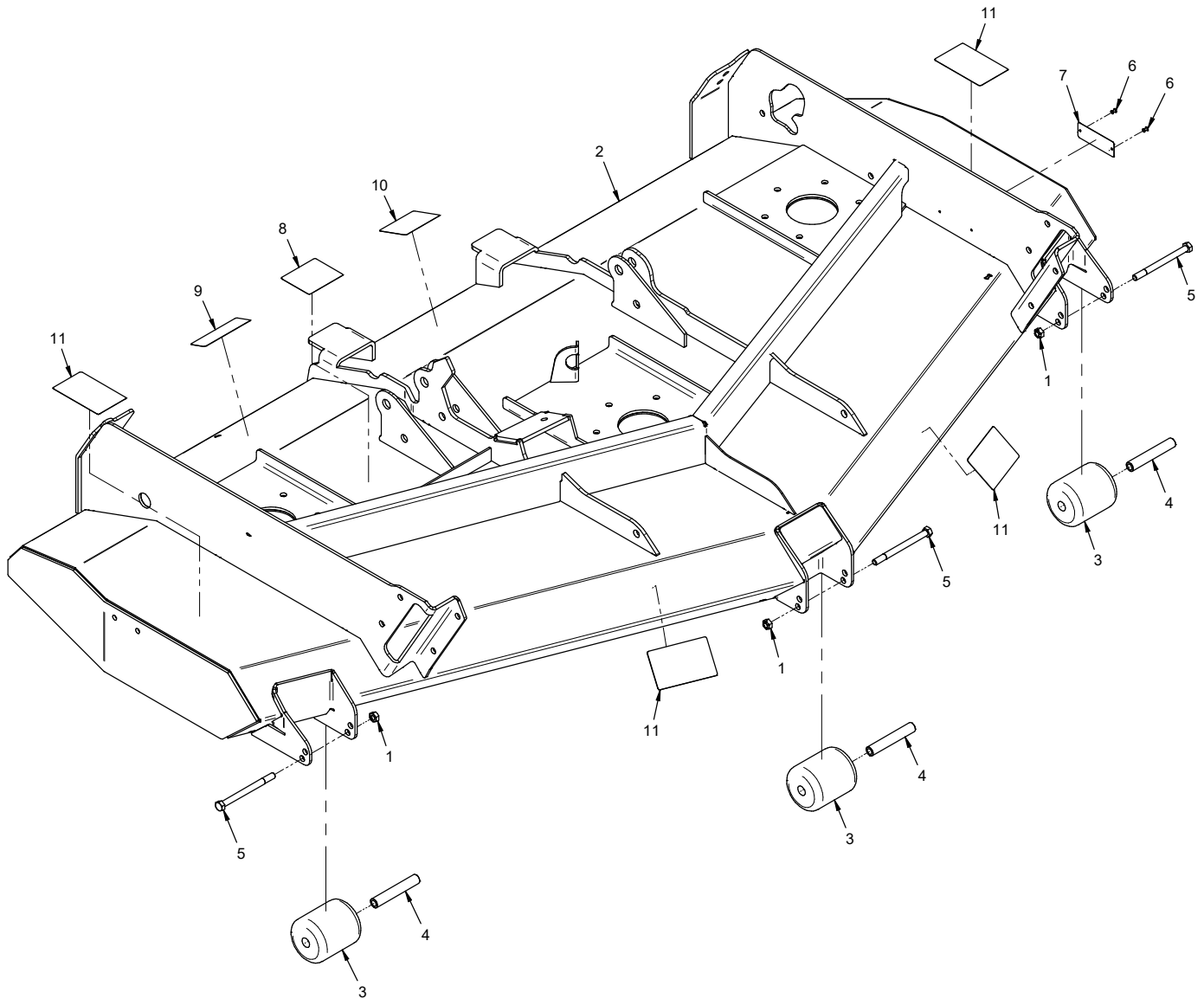
- If any component requires replacement, use only original Ventrac replacement parts.
- When ordering new components, be sure to order all required safety decals. All current safety decals must be affixed to the replacement components prior to installation of the component.

TABLE OF CONTENTS

| PARTS | PAGE 4 |
|--|---------------|
| Main Frame & Front Anti-Scalp Rollers..... | 4 |
| Carrier Frame & Wheels | 6 |
| Wheel Components..... | 8 |
| Hitch Arms | 10 |
| Drive Shaft & Attachment Belt..... | 12 |
| Main Deck Belt, Pulleys, & Belt Tensioner..... | 14 |
| Spindles & Blades..... | 16 |
| Mulch Rings | 18 |
| Rear Roller & Roller Wiper Belting..... | 20 |
| Discharge Shield Belting..... | 22 |
| Height Adjust Linkage & Deck Slides..... | 24 |
| Main Deck Cover Shield | 26 |
| 70.8163 & 70.8214 Hydraulic Flip Up Kit | 28 |

PARTS

ILLUSTRATED DRAWING Main Frame & Front Anti-Scalp Rollers



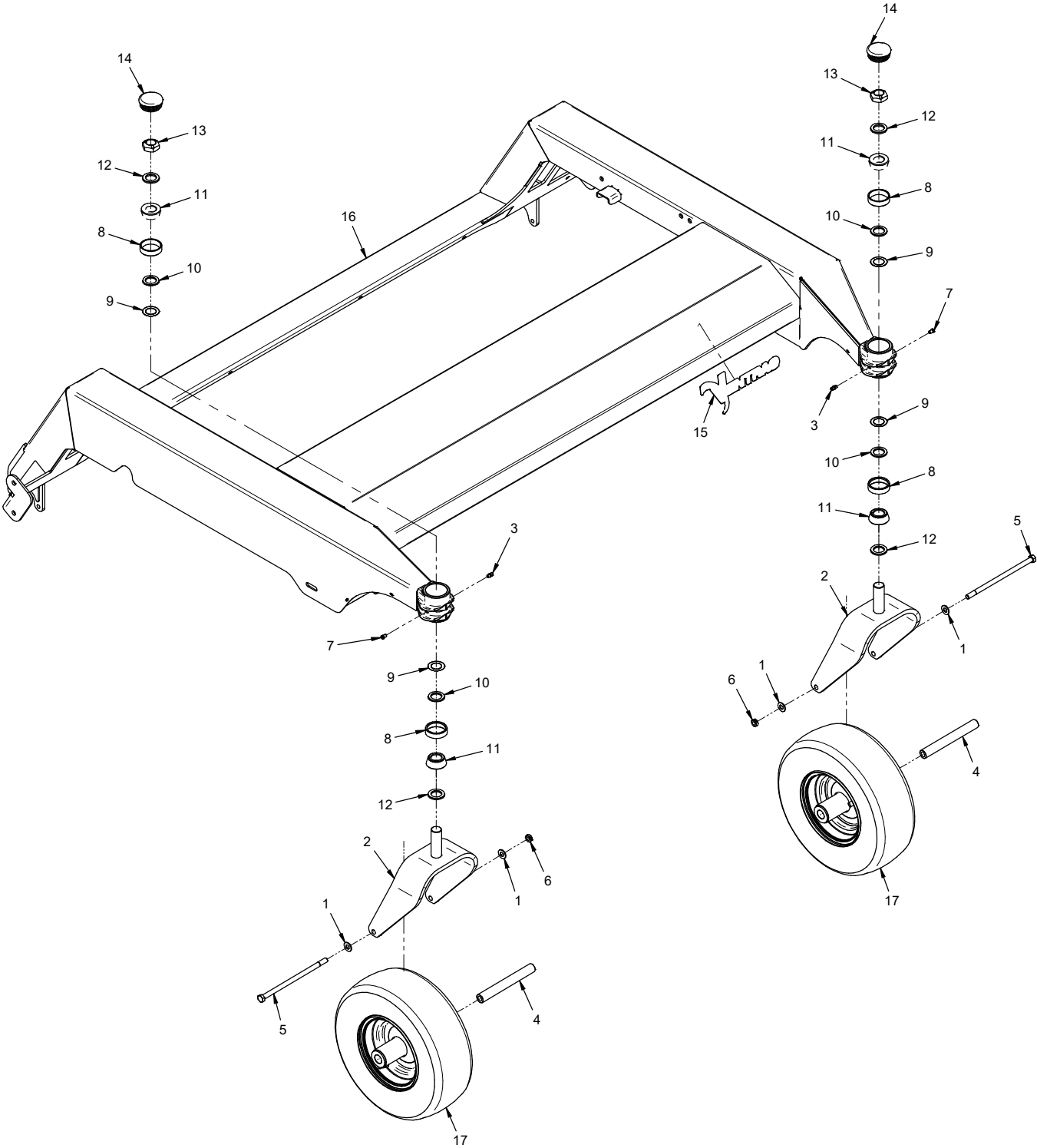
PARTS

Main Frame & Front Anti-Scalp Rollers

| REF. | PART NO. | DESCRIPTION | QTY. |
|------|----------|--|------|
| 1 | 99.A06 | Locknut, Stover 3/8-16 USS | 3 |
| 2 | 62.1465 | Frame, Deck Weldment MU720 | 1 |
| 3 | 50.0047 | Roller, Front 3" Dia X 3-1/2" | 3 |
| 4 | 50.0046 | Tube, Axle Front Roller | 3 |
| 5 | 90.0636 | Bolt, 3/8-16 USS x 4-1/2 | 3 |
| 6 | 04.0003 | Rivet, Pop 1/8 X 3/8 SS | 2 |
| 7 | N/A | Plate, Ventrac Serial Number | 1 |
| 8 | 00.0062 | Decal, Danger Shield Missing (Serial # 01001-01784) | 1 |
| 8 | 00.0625 | Decal, Shield Missing (Serial # 01785-) | 1 |
| 9 | 00.0102 | Decal, Danger - Pinching Hazard (Serial # 01001-01784) | 1 |
| 9 | 00.0620 | Decal, Pinching or Crushing Hazard (Serial # 01785-) | 1 |
| 10 | 00.0122 | Decal, Thrown Object Hazard (Serial # 01001-01784) | 1 |
| 10 | 00.0627 | Decal, Thrown Object Hazard (Serial # 01785-) | 1 |
| 11 | 00.0123 | Decal, Keep Hands & Feet Clear (Serial # 01001-01784) | 4 |
| 11 | 00.0628 | Decal, Cutting Hazard Mower Blade (Serial # 01785-) | 4 |

PARTS

ILLUSTRATED DRAWING Carrier Frame & Wheels



PARTS

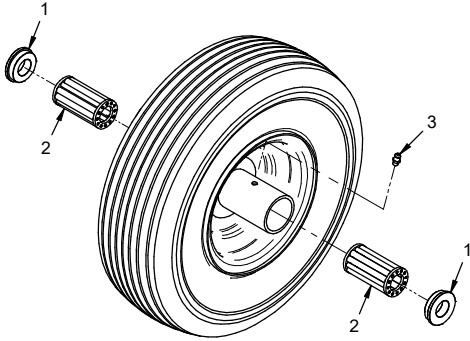
Carrier Frame & Wheels

| REF. | PART NO. | DESCRIPTION | QTY. |
|------|---------------|---|------|
| 1 | 95.06 | Washer, Flat 3/8 SAE | 4 |
| 2 | 50.0195 | Yoke, Caster 13" Wheel | 2 |
| 3 | 29.GF0001 | Grease Ftg, 1/4 SAE ST | 2 |
| 4 | 50.0050 | Tube, Swivel Axle | 2 |
| 5 | 90.0660 | Bolt, 3/8-16 USS x 7-1/2 | 2 |
| 6 | 99.A06C | Locknut, Center 3/8-16 | 2 |
| 7 | 29.GF0011 | Grease Ftg, Plug 1/4-28 | 2 |
| 8 | 55.LM12710 | Bearing, Cup | 4 |
| 9 | 85.B0101 | Bushing, .005 Spacer | 4 |
| 10 | 85.B0099 | Bushing, .875ID x 1.375OD x .120T | 4 |
| 11 | 55.LM12749LA2 | Bearing, Taper Roller Cone | 4 |
| 12 | 99.B0119 | Washer, Mach 7/8 x 1-3/8 x 10 GA | 4 |
| 13 | 99.M0047 | Locknut, Stover M22 X 1.5 ZP | 2 |
| 14 | 05.0172 | Plug, Ribbed Black LDPE | 2 |
| 15 | 00.0383 | Decal, Ventrac | 1 |
| 16 | 70.8222 | Kit, Carrier Frame & Discharge Belting (Serial # 01001-01484) | 1 |
| 16 | 62.1464 | Frame, Main Carrier MU720 (Serial # 01485-) | 1 |
| 17 | 53.0155 | Wheel, Asm 13 x 5 x 6 Caster (Serial # 01001-01700) | 2 |
| 17 | 53.0148 | Wheel, Asm 13x5x6 Rib Flatfree (Optional) | 2 |
| 17 | 53.0216 | Wheel, Asm 13 x 5 x 6 Caster (Serial # 01701 -01712) | 2 |
| 17 | 53.0213 | Wheel, Asm 13 x 5 x 6 Caster (Serial # 01713-) | 2 |
| 17 | 53.0214 | Wheel, Asm 13 x 5 x 6 Caster (Optional - black rim) | 2 |

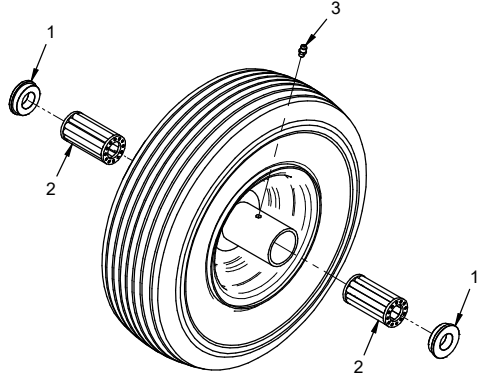
PARTS

ILLUSTRATED DRAWING Wheel Components

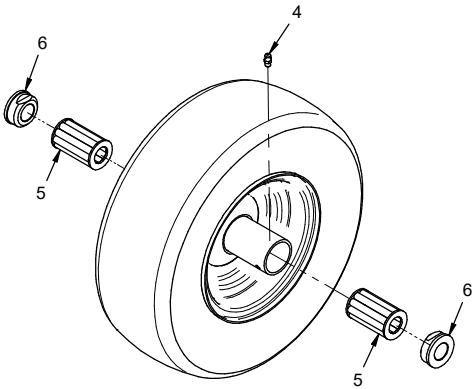
53.0155 - Standard White Rim (Serial # 01001-01700)



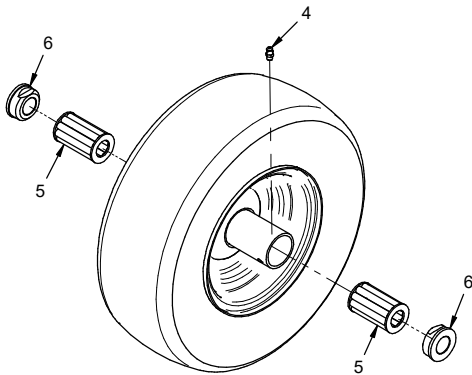
53.0148 - Optional Flatfree White Rim



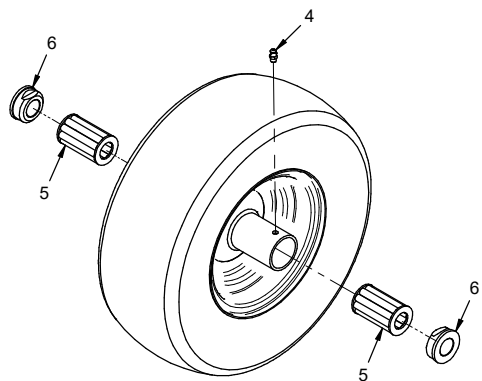
53.0216 - Standard White Rim (Serial # 01701-1712)



53.0213 - Standard Black Rim (Serial # 01713-)



53.0214 - Optional Flatfree Black Rim



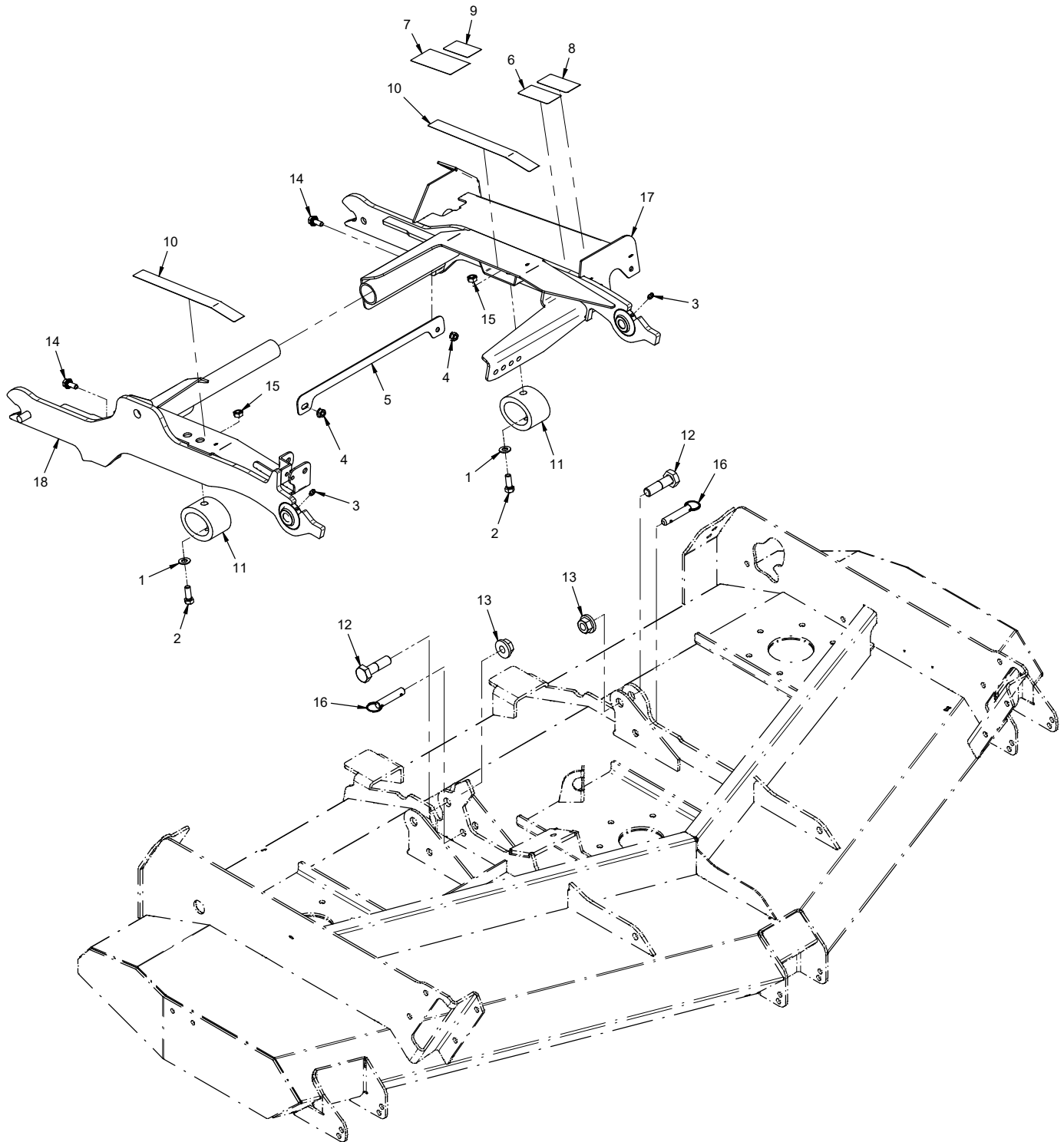
PARTS

Wheel Components

| REF. | PART NO. | DESCRIPTION | QTY. |
|------|-----------|-------------------------------|------|
| 1 | 55.0072 | Bearing, Retainer 3/4" | 2 |
| 2 | 55.0088 | Bearing, Roller Replacement | 2 |
| 3 | 29.GF0001 | Grease Ftg, 1/4 SAE ST | 1 |
| 4 | 29.GF0001 | Grease Ftg, 1/4 SAE ST | 1 |
| 5 | 55.0116 | Bearing, Roller 2.25" Long | 2 |
| 6 | 55.0114 | Retainer, Roller Bearing 3/4" | 2 |

PARTS

ILLUSTRATED DRAWING Hitch Arms



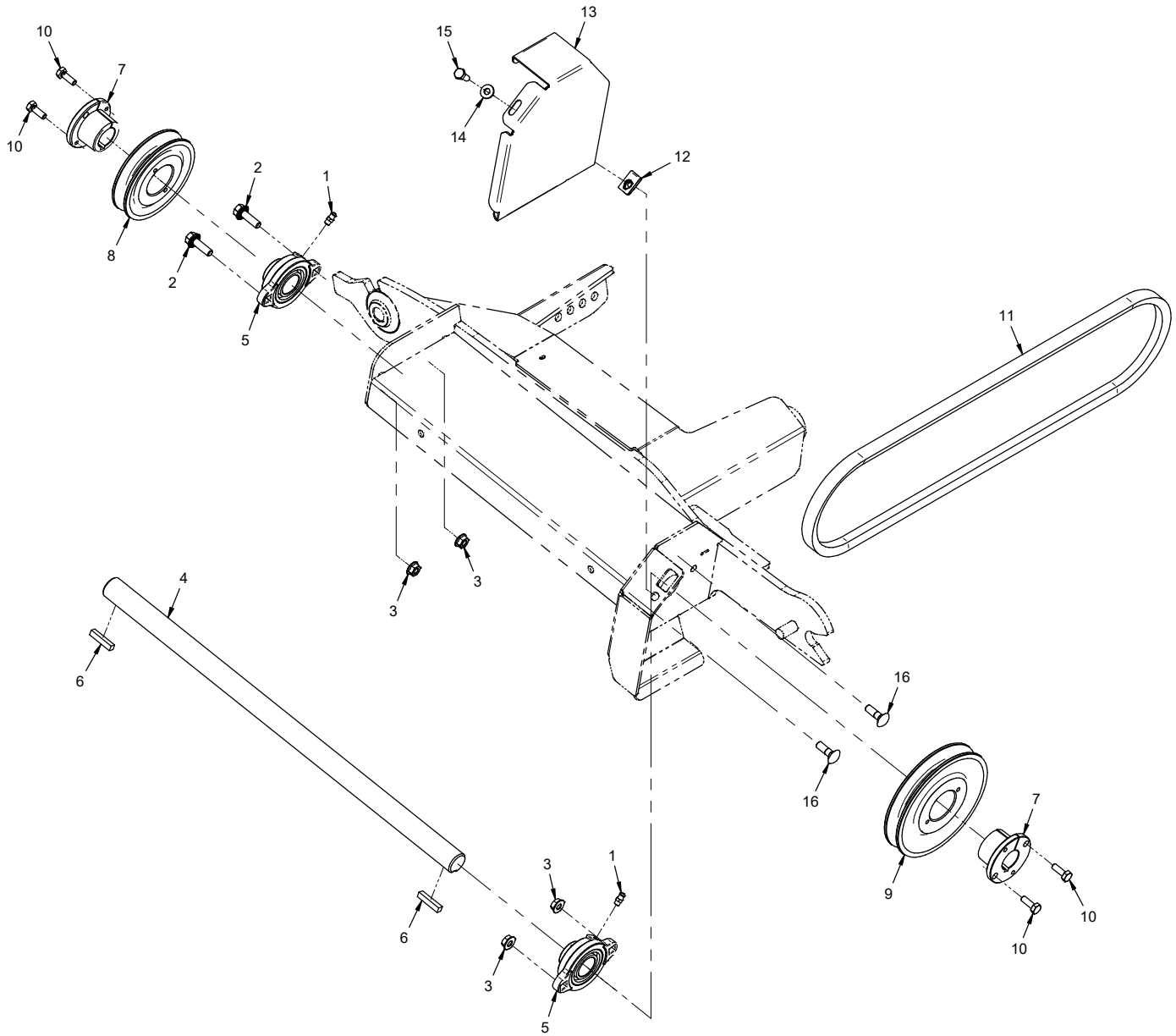
PARTS

Hitch Arms

| REF. | PART NO. | DESCRIPTION | QTY. |
|------|-----------|---|------|
| 1 | 95.06 | Washer, Flat 3/8 SAE | 2 |
| 2 | 90.0608 | Bolt, 3/8-16 USS x 1 | 2 |
| 3 | 29.GF0001 | Grease Ftg, 1/4 SAE ST | 2 |
| 4 | 99.SF05 | Nut, SRF 5/16-18 USS | 2 |
| 5 | 64.1934 | Brace, Hitch Arm Spacing | 1 |
| 6 | 00.0217 | Decal, Warning Read Owners Man (Serial # 01001-01784) | 1 |
| 6 | 00.0619 | Decal, Read Operator's Manual (Serial # 01785-) | 1 |
| 7 | 00.0220 | Decal, General Safety (Serial # 01001-01784) | 1 |
| 8 | 00.0219 | Decal, Warning Do Not Reach (Serial # 01001-01784) | 1 |
| 8 | 00.0632 | Decal, Moving Parts Hazard (Serial # 01785-) | 1 |
| 9 | 00.0216 | Decal, Warning Moving Parts (Serial # 01001-01784) | 1 |
| 9 | 00.0631 | Decal, Finger/Hand Entanglement (Serial # 01785-) | 1 |
| 10 | 00.0427 | Decal, Wear Resistant | 2 |
| 11 | 05.0169 | Bumper, Elastomer 1300 LBS PF | 2 |
| 12 | 99.K0111 | Bolt, 5/8-11 X 2-1/4 Grd A325 | 2 |
| 13 | 99.E0094 | Locknut, 5/8-11 Flanged Stover | 2 |
| 14 | 99.SF0506 | Bolt, SRF 5/16-18 USS X 3/4 | 2 |
| 15 | 99.A06 | Locknut, Stover 3/8-16 USS | 2 |
| 16 | 03.0007 | Pin, Ball 1/2 x 1.8" | 2 |
| 17 | 62.1452 | Hitch, Arm Left MS720 | 1 |
| 18 | 62.1453 | Hitch, Arm Right MS720 | 1 |

PARTS

ILLUSTRATED DRAWING Drive Shaft & Attachment Belt



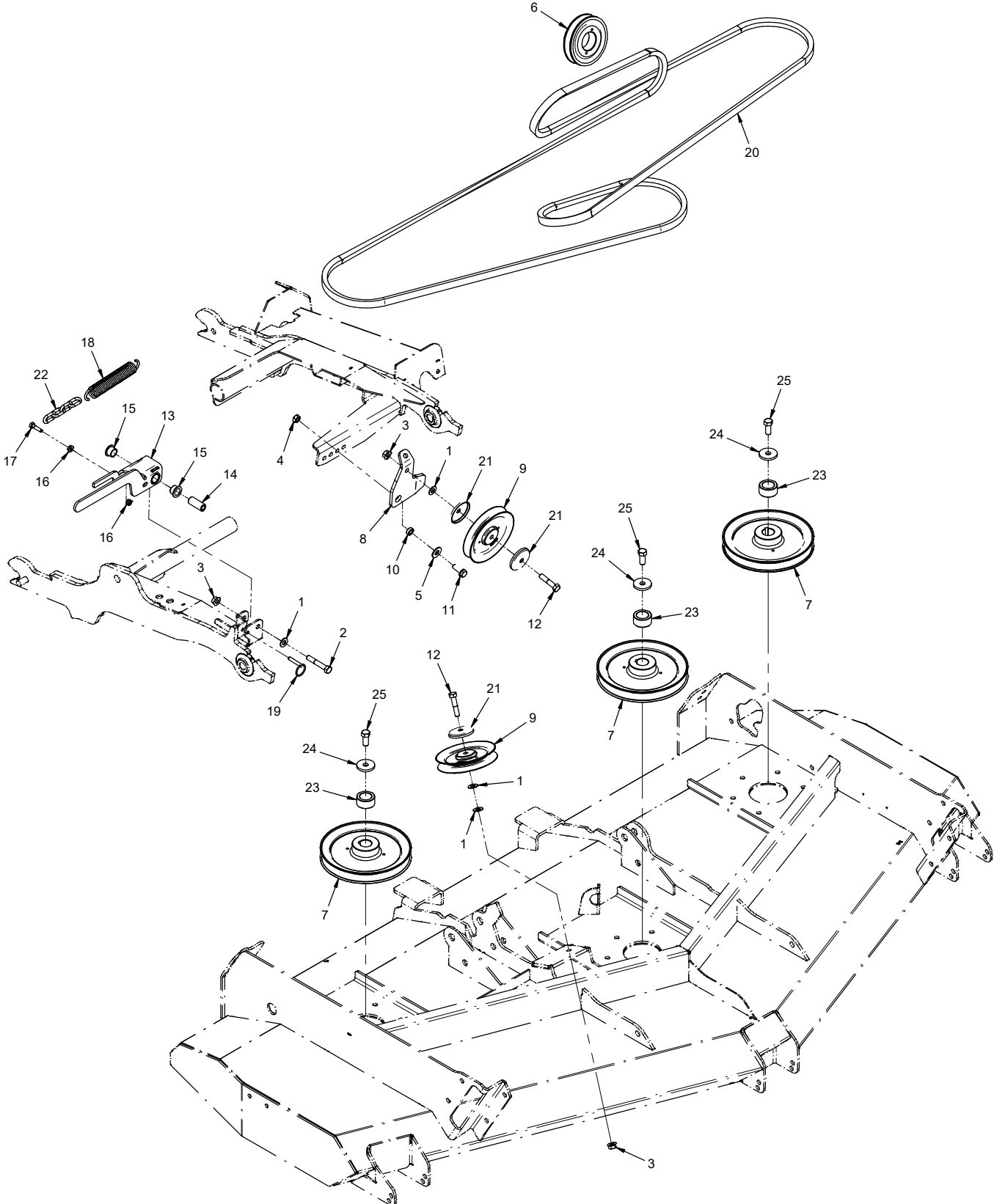
PARTS

Drive Shaft & Attachment Belt

| REF. | PART NO. | DESCRIPTION | QTY. |
|------|--------------|--|------|
| 1 | 29.GF0001 | Grease Ftg, 1/4 SAE ST | 2 |
| 2 | 99.SF0508 | Bolt, SRF 5/16-18 USS X 1 | 2 |
| 3 | 99.SF05 | Nut, SRF 5/16-18 USS | 4 |
| 4 | 80.0389 | Shaft, Hitch Arm | 1 |
| 5 | 55.FB16016-1 | Bearing, Flange Block 1" | 2 |
| 6 | 85.K0410 | Key, 1/4 X 1-1/4 | 2 |
| 7 | 83.H16S | Bushing, 1" Split 1/4" Key | 2 |
| 8 | 83.BK40H | Pulley, 4" H-Bush | 1 |
| 9 | 83.BK57H | Pulley, 5.7" H-Bush | 1 |
| 10 | 90.0406 | Bolt, 1/4-20 USS x 3/4" | 4 |
| 11 | 81.B045 | Belt, B45 | 1 |
| 12 | 99.E0046 | Nut, "U" 1/4-20 Extruded | 1 |
| 13 | 60.0665 | Shield, Drive Pulley | 1 |
| 14 | 95.04 | Washer, Flat 1/4 SAE | 1 |
| 15 | 90.0406 | Bolt, 1/4-20 USS x 3/4" | 1 |
| 16 | 99.SF0508 | Bolt, SRF 5/16-18 USS X 1 (Serial # 01001-01580) | 2 |
| 16 | 97.0508 | Bolt, Carriage 5/16-18 x 1 (Serial # 01581-) | 2 |

PARTS

ILLUSTRATED DRAWING Main Deck Belt, Pulleys, & Belt Tensioner



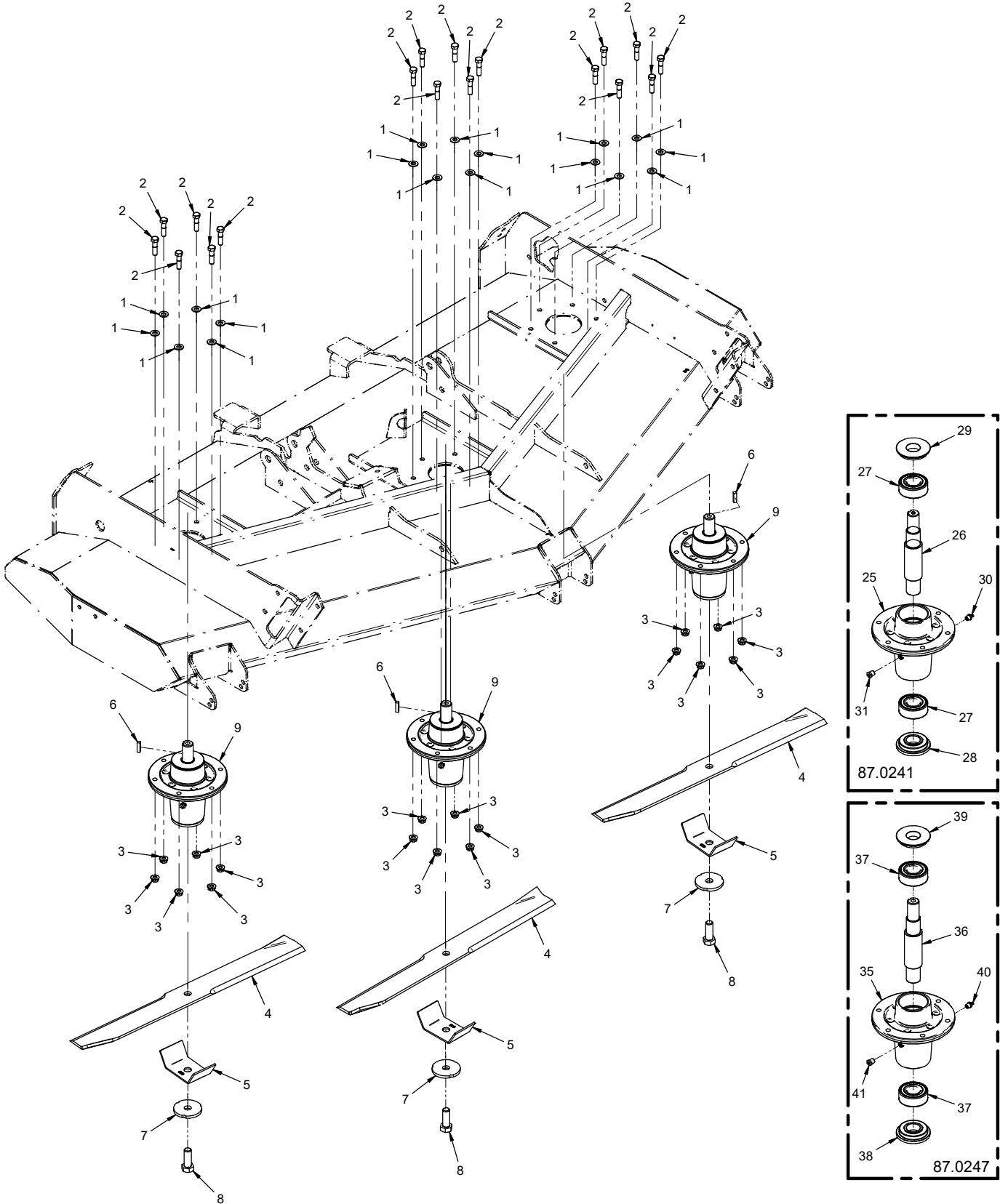
PARTS

Main Deck Belt, Pulleys, & Belt Tensioner

| REF. | PART NO. | DESCRIPTION | QTY. |
|------|-------------|--|------|
| 1 | 95.06 | Washer, Flat 3/8 SAE | 4 |
| 2 | 90.0618 | Bolt, 3/8-16 USS x 2-1/4 | 1 |
| 3 | 99.SF06 | Nut, SRF 3/8-16 USS | 3 |
| 4 | 99.A06 | Locknut, Stover 3/8-16 USS | 1 |
| 5 | 94.06 | Washer, Flat 3/8 USS | 1 |
| 6 | 83.BK40H | Pulley, 4" H-Bush | 1 |
| 7 | 83.0080 | Pulley, 7-1/2, 25MM STR Bore | 3 |
| 8 | 40.0399 | Idler Arm, Belt Tension | 1 |
| 9 | 83.0031 | Pulley, V-Idler 5-1/16 x 3/8ID | 2 |
| 10 | 64.0602 | Bushing, 3/8 x 5/8 x .265 | 1 |
| 11 | 99.SF0608 | Bolt, SRF 3/8-16 USS x 1 | 1 |
| 12 | 90.0614 | Bolt, 3/8-16 USS x 1-3/4 | 2 |
| 13 | 70.8218 | Kit, Belt Tension/Cylinder Lock (2 parts) | 1 |
| 14 | 64.1936 | Bushing, Belt Tension Pivot | 1 |
| 15 | 85.B0088 | Bushing, 5/8 ID X 3/4 OD X 1/2 | 2 |
| 16 | 99.SF04 | Nut, SRF 1/4-20 USS | 2 |
| 17 | 90.0408 | Bolt, 1/4-20 USS x 1" | 1 |
| 18 | 41.0048 | Spring, Ext. 1 OD X 6 | 1 |
| 19 | 03.0022 | Pin, Ball 1/4" x 1" | 1 |
| 20 | 81.5001 | Belt, B180 Custom | 1 |
| 21 | 60.1056 | Cover, Pulley | 3 |
| 22 | 81.0160 | Chain, 1/8 Plated x 4 Links | 1 |
| 23 | 64.1976 | Bushing, 1ID X 1.5OD X .750L | 3 |
| 24 | 99.B0128 | Washer, .323 ID x 1.50 OD (Serial # 01001-01244) | 3 |
| 24 | 99.B0134 | Washer, .448 ID x 1.50 OD (Serial # 01245-) | 3 |
| 25 | 99.SF0508-8 | Bolt, SRF 5/16-18 X 1 GR8 (Serial # 01001-01244) | 3 |
| 25 | 91.0708-8 | Bolt, 7/16-20 x 1 Gr8 (Serial # 01245-) | 3 |

PARTS

ILLUSTRATED DRAWING Spindles & Blades



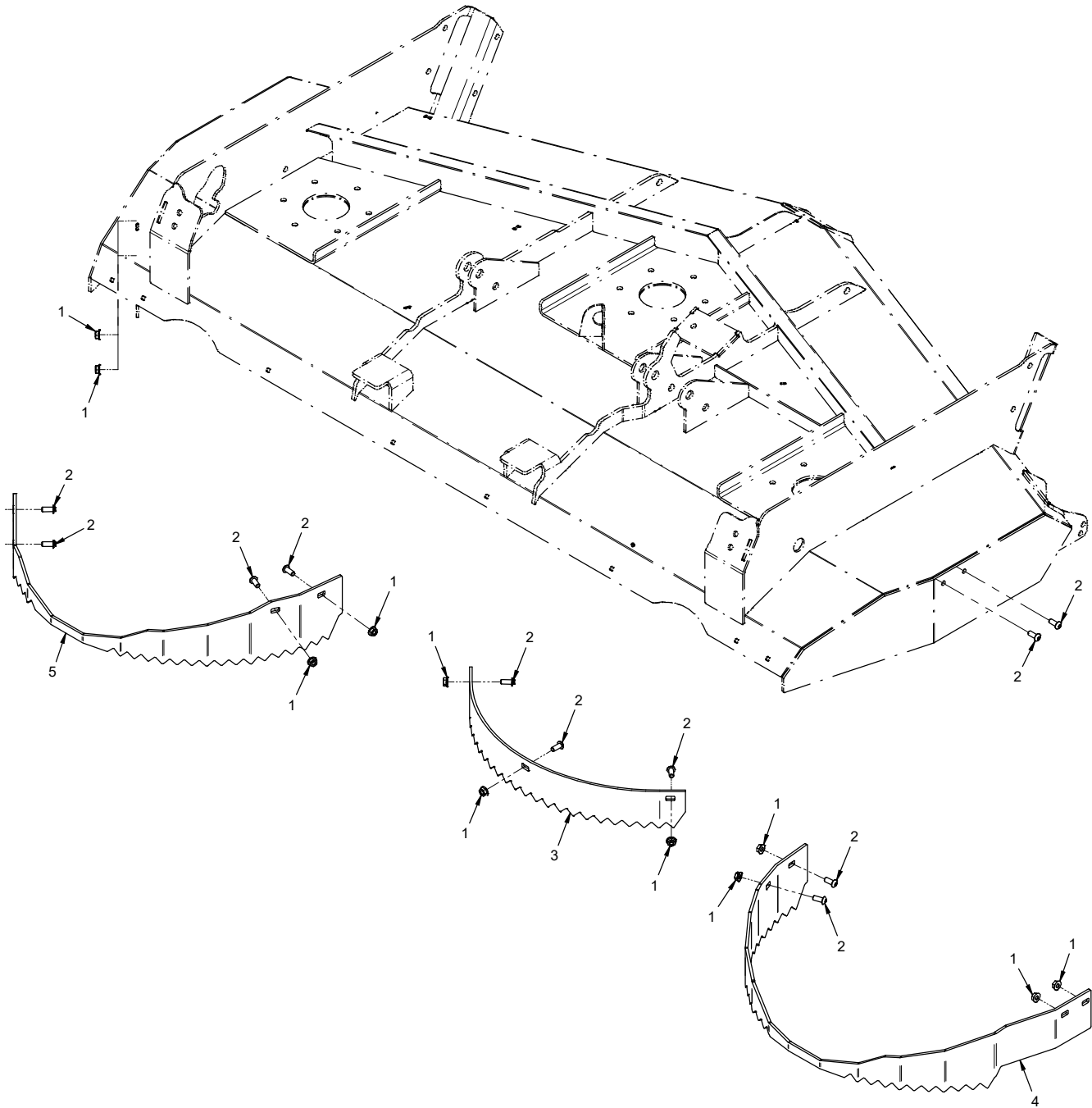
PARTS

Spindles & Blades

| REF. | PART NO. | DESCRIPTION | QTY. |
|------|-----------|---|------|
| 1 | 95.06 | Washer, Flat 3/8 SAE | 18 |
| 2 | 90.0612 | Bolt, 3/8-16 USS x 1-1/2 | 18 |
| 3 | 99.E0082 | Nut, Locking Flange 3/8-16 | 18 |
| 4 | 79.0104 | Blade, 25X5/8 RH S Lowlift | 3 |
| 5 | 64.2003 | Guard, Spindle/Anti-String | 3 |
| 6 | 85.K0408 | Key, 1/4 X 1 | 3 |
| 7 | 99.B0097 | Washer, .635 ID X 2-1/2 OD 1/4 | 3 |
| 8 | 91.1014 | Bolt, 5/8-18 SAE x 1-3/4 | 3 |
| 9 | 87.0241 | Spindle, Asm HD RH (Serial # 01001-01244) | 3 |
| 9 | 87.0247 | Spindle, Asm HD AL RH (Serial # 01245-) | 3 |
| 25 | 87.0241-1 | Housing, Spindle AL | 1 |
| 26 | 87.0241-2 | Shaft, Spindle RH | 1 |
| 27 | 55.0095 | Bearing, Ball 30MM x 62MM | 2 |
| 28 | 87.0224-3 | Shield, Spindle Bottom | 1 |
| 29 | 87.0225-3 | Shield, Spindle Top | 1 |
| 30 | 29.GF0004 | Grease Ftg, 1/8 NPT St | 1 |
| 31 | 29.GF0017 | Fitting, Relief | 1 |
| 35 | 87.0241-1 | Housing, Spindle AL | 1 |
| 36 | 87.0247-2 | Shaft, Spindle RH | 1 |
| 37 | 55.0095 | Bearing, Ball 30MM x 62MM | 2 |
| 38 | 87.0224-3 | Shield, Spindle Bottom | 1 |
| 39 | 87.0225-3 | Shield, Spindle Top | 1 |
| 40 | 29.GF0004 | Grease Ftg, 1/8 NPT St | 1 |
| 41 | 29.GF0017 | Fitting, Relief | 1 |

PARTS

ILLUSTRATED DRAWING Mulch Rings



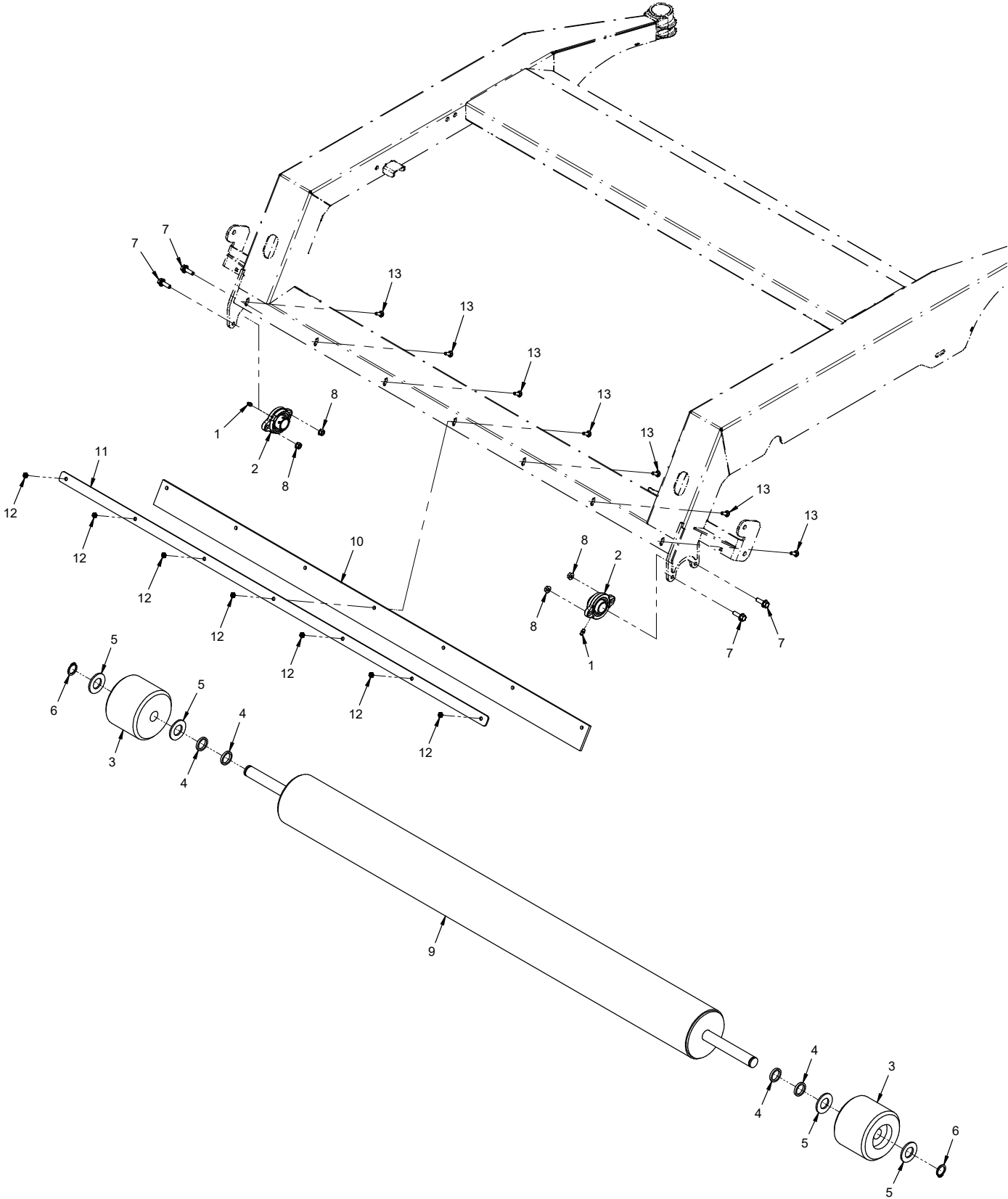
PARTS

Mulch Rings

| REF. | PART NO. | DESCRIPTION | QTY. |
|------|----------|------------------------------|------|
| 1 | 99.SF05 | Nut, SRF 5/16-18 USS | 11 |
| 2 | 99.0506 | Bolt, 5/16-18 x 3/4 BSCS | 11 |
| 3 | 64.1992 | Ring, Mulching Baffle Center | 1 |
| 4 | 64.1993 | Ring, Mulching Baffle Right | 1 |
| 5 | 64.1994 | Ring, Mulching Baffle Left | 1 |

PARTS

ILLUSTRATED DRAWING Rear Roller & Roller Wiper Belting



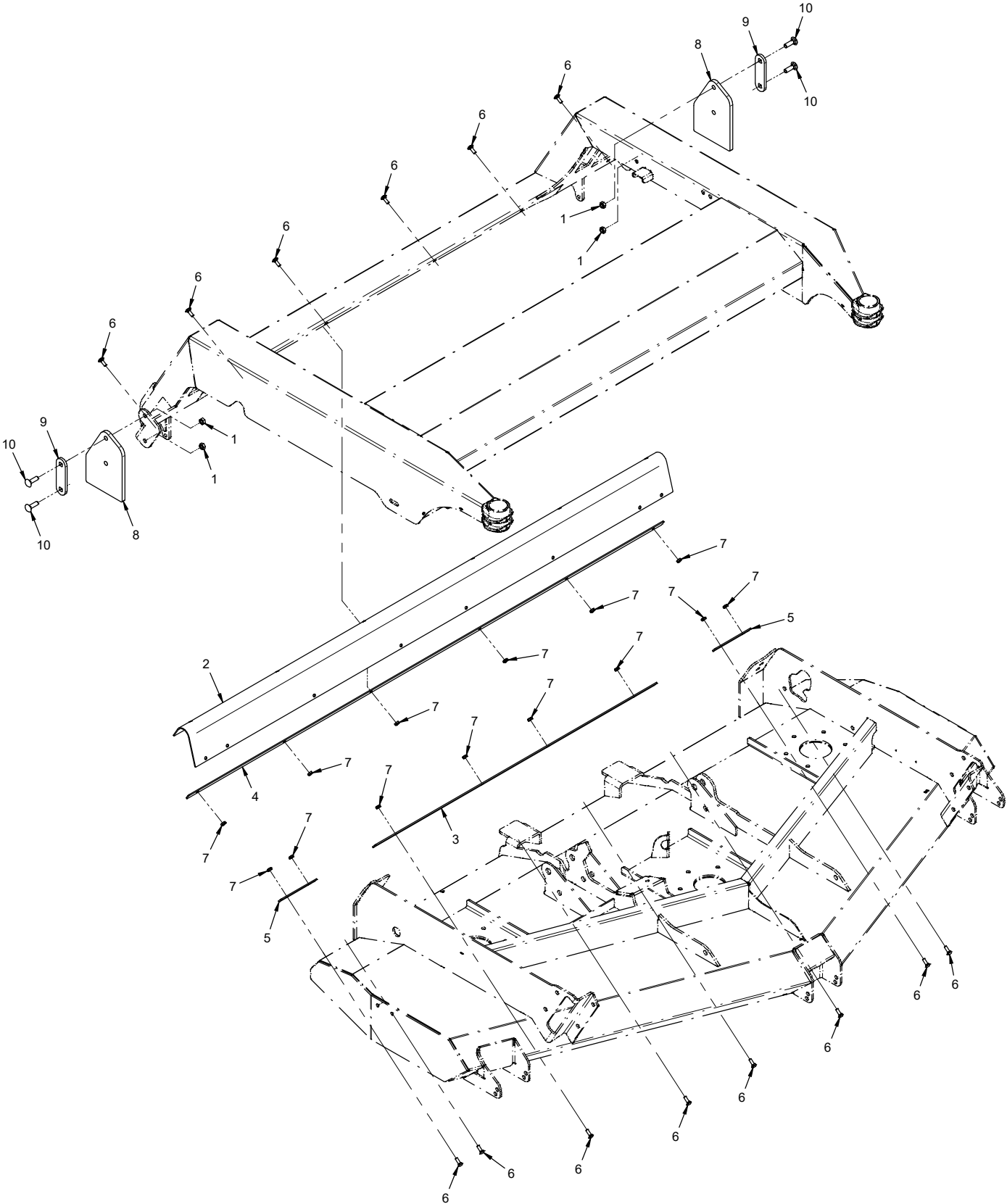
PARTS

Rear Roller & Roller Wiper Belting

| REF. | PART NO. | DESCRIPTION | QTY. |
|------|--------------|--------------------------------|------|
| 1 | 29.GF0001 | Grease Ftg, 1/4 SAE ST | 2 |
| 2 | 55.FB16016-2 | Bearing, 2 Bolt Flange 1" | 2 |
| 3 | 50.0194 | Roller, End 5" Dia x 4" Long | 2 |
| 4 | 64.1930 | Spacer, Rear Roller End | 4 |
| 5 | 95.16 | Washer, Flat 1 SAE | 4 |
| 6 | 04.0025 | Snap Ring, Ext.1 Shft .078 Thk | 2 |
| 7 | 99.SF0508 | Bolt, SRF 5/16-18 USS X 1 | 4 |
| 8 | 99.SF05 | Nut, SRF 5/16-18 USS | 4 |
| 9 | 80.0388 | Roller, Rear MS720 | 1 |
| 10 | 44.0361 | Belting, Roller Wiper | 1 |
| 11 | 64.1871 | Clamp, Roller Wiper | 1 |
| 12 | 99.A04 | Locknut, Stover 1/4-20 USS | 7 |
| 13 | 97.0406 | Bolt, Carriage 1/4-20 X 3/4 | 7 |

PARTS

ILLUSTRATED DRAWING Discharge Shield Belting



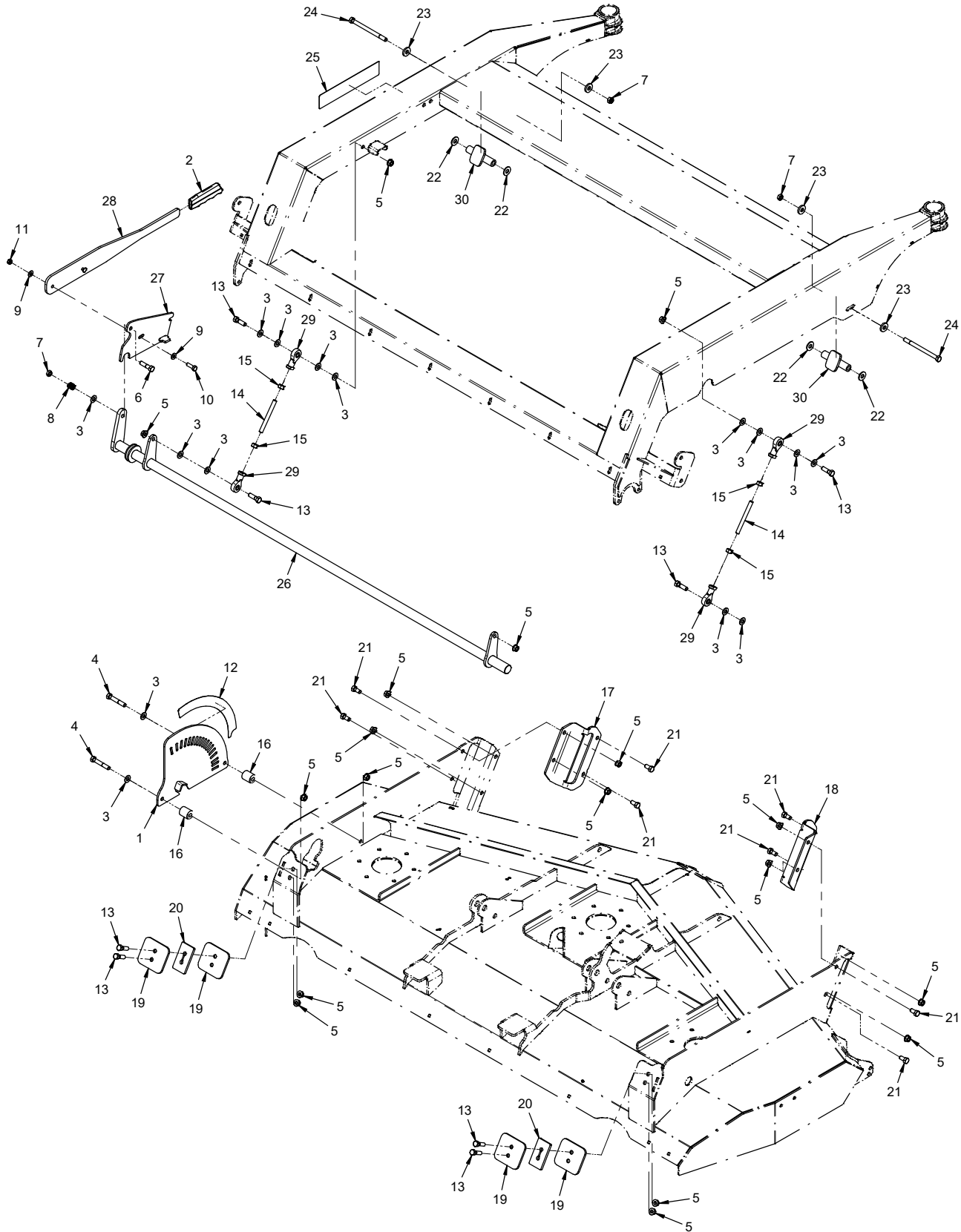
PARTS

Discharge Shield Belting

| REF. | PART NO. | DESCRIPTION | QTY. |
|------|----------|--|------|
| 1 | 99.A06 | Locknut, Stover 3/8-16 USS | 4 |
| 2 | 44.0385 | Belting, Discharge Shield (Serial # 01001-01484) | 1 |
| 2 | 44.0414 | Belting, Discharge Shield (Serial # 01485-) | 1 |
| 3 | 64.1967 | Clamp, Center Rear Discharge | 1 |
| 4 | 64.1983 | Clamp, Rear Discharge Belting | 1 |
| 5 | 64.1968 | Clamp, End Rear Discharge | 2 |
| 6 | 97.0406 | Bolt, Carriage 1/4-20 X 3/4 | 14 |
| 7 | 99.A04 | Locknut, Stover 1/4-20 USS | 14 |
| 8 | 44.0388 | Belting, Side Guard | 2 |
| 9 | 64.1986 | Clamp, Side Guard | 2 |
| 10 | 97.0610 | Bolt, Carriage 3/8-16 x 1-1/4 | 4 |

PARTS

ILLUSTRATED DRAWING Height Adjust Linkage & Deck Slides



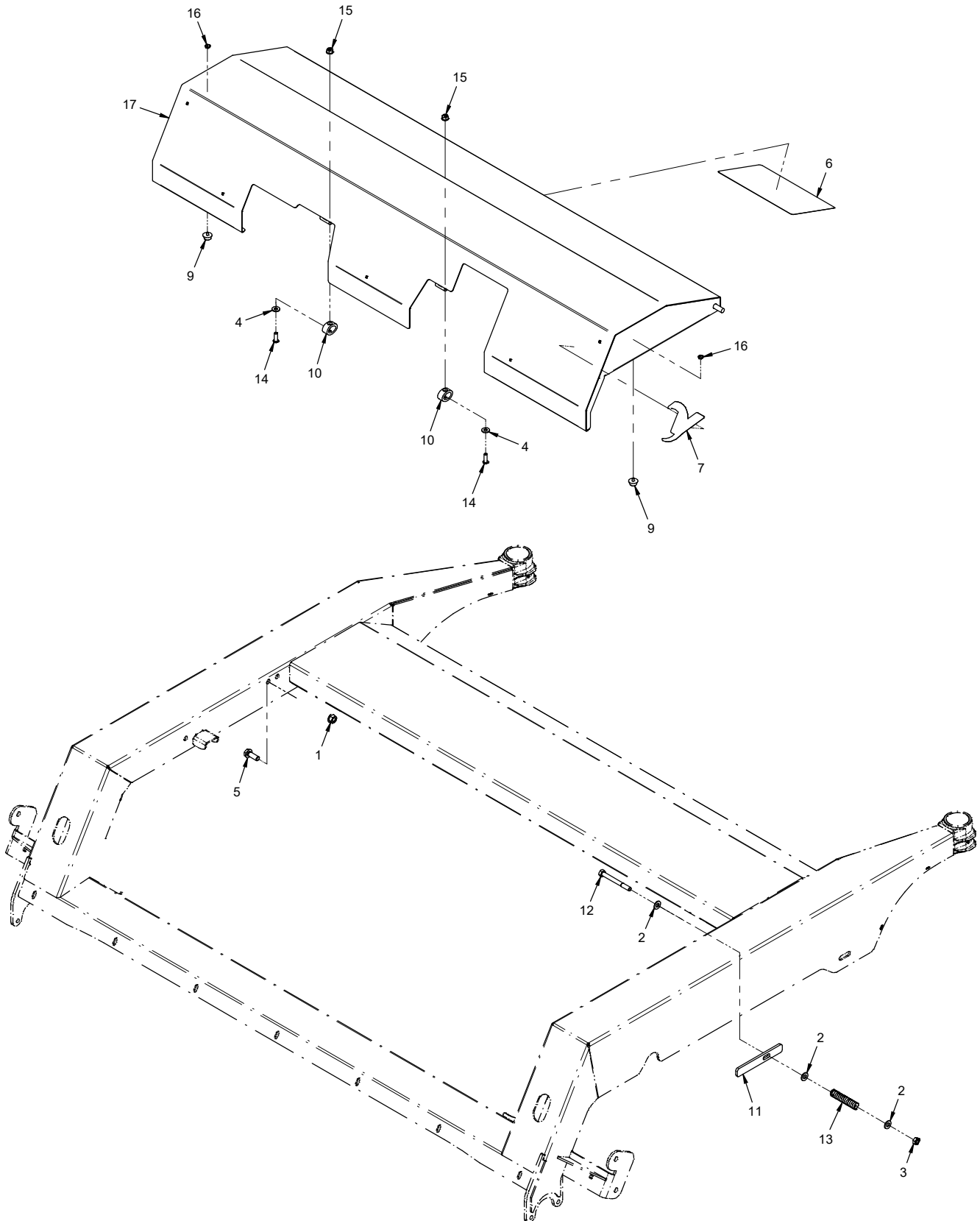
PARTS

Height Adjust Linkage & Deck Slides

| REF. | PART NO. | DESCRIPTION | QTY. |
|------|-------------|--|------|
| 1 | 64.1961 | Plate, Height Adjust Selector | 1 |
| 2 | 47.0086 | Grip, Slip-On Handle - Black | 1 |
| 3 | 95.06 | Washer, Flat 3/8 SAE | 15 |
| 4 | 90.0618 | Bolt, 3/8-16 USS x 2-1/4 | 2 |
| 5 | 99.SF06 | Nut, SRF 3/8-16 USS | 18 |
| 6 | 90.0612 | Bolt, 3/8-16 USS x 1-1/2 (Serial # 01001-01100) | 1 |
| 6 | 90.0616 | Bolt, 3/8-16 USS x 2 (Serial # 01101-) | 1 |
| 7 | 99.A06 | Locknut, Stover 3/8-16 USS | 3 |
| 8 | 41.0039 | Spring, Comp. 9/16 OD X 5/8 (Serial # 01001-01100) | 1 |
| 8 | 41.0119 | Spring, Comp .785 OD x 1 Lg (Serial # 01101-) | 1 |
| 9 | 95.05 | Washer, Flat 5/16 SAE | 2 |
| 10 | 90.0508 | Bolt, 5/16-18 USS x 1" | 1 |
| 11 | 99.A05 | Locknut, Stover 5/16-18 USS | 1 |
| 12 | 00.0425 | Decal, Cut Height Position | 1 |
| 13 | 90.0610 | Bolt, 3/8-16 USS x 1-1/4 | 8 |
| 14 | 99.J0630NFZ | Rod, Threaded 3/8-24 x 3-3/4L | 2 |
| 15 | 93.06 | Nut, 3/8-24 SAE | 4 |
| 16 | 64.0905 | Tube, RD 7/16 X 1 X 1-1/4L | 2 |
| 17 | 64.1904 | Bracket, Front Slide Left | 1 |
| 18 | 64.1905 | Bracket, Front Slide Right | 1 |
| 19 | 64.1179 | Plate, Rear Slide Retainer | 4 |
| 20 | 64.1181 | Spacer, Rear Slide | 2 |
| 21 | 90.0606 | Bolt, 3/8-16 USS x 3/4 | 8 |
| 22 | 94.06 | Washer, Flat 3/8 USS | 4 |
| 23 | 99.G0014 | Washer, 3/8 USS FW .165 Thk | 4 |
| 24 | 90.0640 | Bolt, 3/8-16 USS x 5 | 2 |
| 25 | 00.0426 | Decal, Cut Height Position Key | 1 |
| 26 | 42.0579 | Shaft, Ht Adj Crossbar MS720 | 1 |
| 27 | 64.1910 | Bracket, Height Adjuster | 1 |
| 28 | 64.1911 | Lever, Height Adjuster | 1 |
| 29 | 43.006 | Rod End, 3/8 Spherical | 4 |
| 30 | 64.1180 | Tube, Front Slide | 2 |

PARTS

ILLUSTRATED DRAWING Main Deck Cover Shield



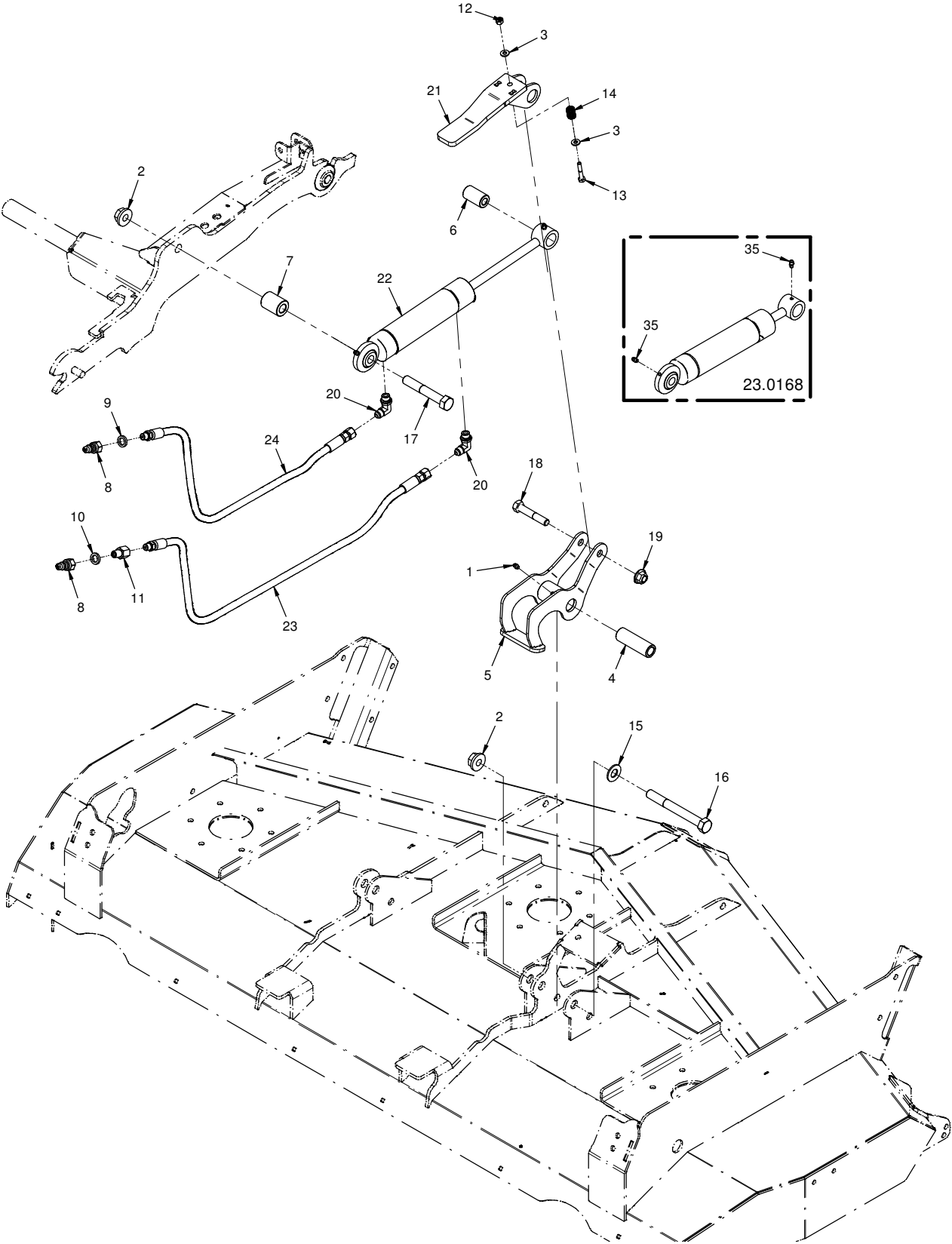
PARTS

Main Deck Cover Shield

| REF. | PART NO. | DESCRIPTION | QTY. |
|------|-----------|--------------------------------|------|
| 1 | 99.SF06 | Nut, SRF 3/8-16 USS | 1 |
| 2 | 95.05 | Washer, Flat 5/16 SAE | 3 |
| 3 | 99.A05 | Locknut, Stover 5/16-18 USS | 1 |
| 4 | 95.04 | Washer, Flat 1/4 SAE | 2 |
| 5 | 99.SF0608 | Bolt, SRF 3/8-16 USS x 1 | 1 |
| 6 | 00.0428 | Decal, Mower Maintenance | 1 |
| 7 | 00.0192 | Decal, V-Decal Die Cut Blue | 1 |
| 9 | 05.0171 | Bumper, Neoprene 60 Duro | 2 |
| 10 | 05.0170 | Bumper, Elastomer 125 Lbs PF | 2 |
| 11 | 64.0682 | Bracket, Shield Spring | 1 |
| 12 | 90.0524 | Bolt, 5/16-18 USS x 3" | 1 |
| 13 | 41.0021 | Spring, Comp 1/2 OD X 2-3/4 LG | 1 |
| 14 | 99.0406 | Bolt, 1/4-20 x 3/4 BSCS | 2 |
| 15 | 99.E0101 | Nut, Locking Flange 1/4-20 | 2 |
| 16 | 99.E0104 | Nut, Jam #8-32 Nylon Lock | 2 |
| 17 | 60.1268 | Shield, Main Deck Cover MS720 | 1 |

PARTS

ILLUSTRATED DRAWING 70.8163 & 70.8214 Hydraulic Flip Up Kit



PARTS

70.8163 & 70.8214 Hydraulic Flip Up Kit

| REF. | PART NO. | DESCRIPTION | QTY. |
|------|---------------|---|------|
| 1 | 29.GF0001 | Grease Ftg, 1/4 SAE ST | 1 |
| 2 | 99.E0094 | Locknut, 5/8-11 Flanged Stover | 2 |
| 3 | 95.04 | Washer, Flat 1/4 SAE | 2 |
| 4 | 64.1975 | Bushing, .641 x 1.00 x 3.094L | 1 |
| 5 | 64.1972 | Bracket, Flip Up Rocker | 1 |
| 6 | 64.1973 | Bushing, .516ID X 1 OD X 1.75 L | 1 |
| 7 | 64.1974 | Bushing, .656 x 1.25 x 1.625L | 1 |
| 8 | 23.0104 | Coupler, Quick Male 1/4 | 2 |
| 9 | 05.0117 | Washer, .544 ID x .817 x .14 Yel | 1 |
| 10 | 05.0116 | Washer, .544 ID x .817 x .14 Red | 1 |
| 11 | 29.0092 | Fitting, .025 Orifice 1/4 Pipe | 1 |
| 12 | 99.A04N | Locknut, Nylon 1/4-20 | 1 |
| 13 | 90.0412 | Bolt, 1/4-20 USS x 1-1/2 | 1 |
| 14 | 41.0108 | Spring, Comp. .531 OD X .780 LG | 1 |
| 15 | 95.10 | Washer, Flat 5/8 SAE | 1 |
| 16 | 90.1044 | Bolt, 5/8-11 USS x 5-1/2 | 1 |
| 17 | 90.1032 | Bolt, 5/8-11 USS x 4 | 1 |
| 18 | 90.0822 | Bolt, 1/2-13 USS x 2-3/4 | 1 |
| 19 | 99.E0103 | Nut, Locking Flange 1/2-13 | 1 |
| 20 | 25.6801-06-06 | Fitting, 90 ME 3/8 x 3/8 | 2 |
| 21 | 70.8218 | Kit, Belt Tensioner/Cylinder Lock (2 parts) | 1 |
| 22 | 23.0168 | Cylinder, 1-3/4" X 5-1/4" | 1 |
| 23 | 20.0169 | Hose, 1/4x38.00 SAE 100R17 AR | 1 |
| 24 | 20.0166 | Hose, 1/4x35.00 SAE 100R17 AR | 1 |
| 35 | 29.GF0001 | Grease Ftg, 1/4 SAE ST | 2 |