

# 3400L

Serial Number 3400L-AK01001 --





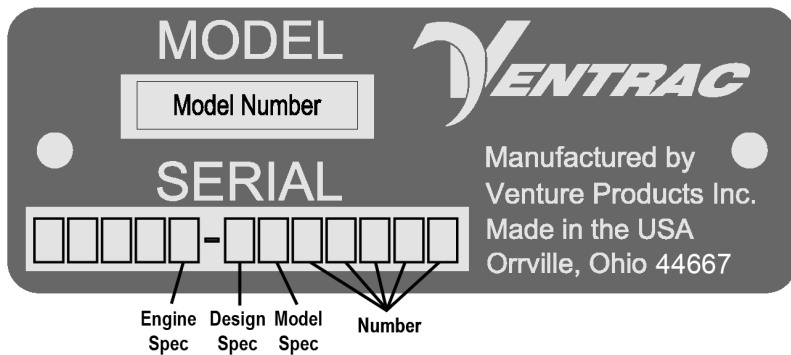
500 Venture Drive  
Orrville Oh 44667  
www.ventrac.com



Visit [ventrac.com/manuals](http://ventrac.com/manuals) for the latest version of this operator's manual.

A downloadable parts manual is also available.

### Serial Number Description



#### ENGINE

L VANGUARD 21 HP M38 GAS AC

#### Notes

- If any component requires replacement, use only original Ventrac replacement parts.
- When ordering new components, be sure to order all required safety decals. All current safety decals must be affixed to the replacement components prior to installation of the component.

# TABLE OF CONTENTS

---

<b>ELECTRICAL</b>	<b>PAGE 5</b>
Wiring Diagram - Rear Harness .....	6
Wiring Diagram - Front Harness .....	7
Wiring Diagram - Engine Harness.....	8
Wiring Diagram - Optional 30.0219 4-Pin Female Socket & 30.0218 4-Pin Male Plug.....	9
Tractor Control Module .....	10
Battery, Power Cables, & Ground Cables .....	12
Front Fuse Panel & Wire Harness Shields.....	14
Rear Fuse Panel .....	16
Power Relay Module .....	18
RPM Sensor .....	20
Speedometer Sensor .....	22
<b>HYDRAULICS</b>	<b>PAGE 24</b>
Hydraulic Diagram.....	24
O-Ring Chart .....	26
Hydraulic Charge Pressure Circuit.....	28
Hydraulic Oil Tank .....	30
Hydraulic Steering System.....	32
Front Hitch Hydraulic Lift.....	34
Auxiliary Hydraulic Quick Couplers .....	36
<b>ENGINE</b>	<b>PAGE 38</b>
Engine .....	38
Engine Mount .....	40
Throttle and Choke Controls .....	42
Muffler .....	44
Air Intake .....	46
Fuel System .....	48
<b>AXLES, WHEELS, &amp; DRIVE SYSTEMS</b>	<b>PAGE 50</b>
Front Transaxle Mount & Tires .....	50
51.0061 Front Transaxle .....	52
Rear Transaxle Mount & Tires.....	54
51.0060 Rear Transaxle.....	56
Belt & Pulley Diagram .....	58
Main Drive From Engine .....	60
Center Drive Shaft & Clutch.....	62
Center Drive Shaft Shields.....	64
Transaxle Drive .....	66
PTO Drive .....	68

# TABLE OF CONTENTS

---

<b>FRAMES / SHEET METAL</b>	<b>PAGE 70</b>
Rear Frame, Fenders, and Engine Side Panels .....	70
Hood Base Mount & Support Panels .....	72
Top & Rear Hood Panels.....	74
Left Hood Panel .....	76
Right Hood Panel .....	78
Center Frame Pivot & Connector Link .....	80
Front Frame & Step.....	82
Steering Column .....	84
Right Dash Panel & SDLA Cover .....	86
Front Hitch.....	88
Roll Bar .....	90
Seat Assembly .....	92
 <b>CONTROLS &amp; LINKAGE</b>	 <b>PAGE 94</b>
SDLA Control Levers.....	94
SDLA Linkage .....	96
Foot Pedal.....	98
Parking Brake.....	100
 <b>OPTIONS</b>	 <b>PAGE 102</b>
70.3044 Work Light Kit.....	102
70.3045 Strobe Light Kit.....	104
70.3046 Direction / Hazard Light Kit .....	106
70.3037 Backup Alarm Kit.....	108
70.3036 12 Volt Front Kit.....	110
70.3050 12 Volt Rear Kit .....	112
70.3041 Horn Kit .....	114
70.3014 Weight Transfer Kit.....	116
70.3019 Tilt Steering Kit .....	118
70.3039 Dual Front Hydraulic Auxiliary Kit.....	120
Dual Front Hydraulic Auxiliary Diagram .....	122
70.3040 Suspension Seat Kit.....	124
70.2016 Trailer Mover Hitch .....	126



# ELECTRICAL

## ILLUSTRATED DRAWING Wiring Diagram Reference Key

### Wire Reference Key

#### Harness Section Identifier

A = 32.0130 - Harness, Front  
B = 32.0131 - Harness, Rear  
C = 32.0132 - Harness, Kubota Diesel  
D = 32.0133 - Harness, B&S Engine  
E =  
F =  
G = 32.0148 - Harness, Kit - 12v Front  
H = 32.0156 - Harness, Kit - 12v Rear  
J = 32.0151 - Harness, Kit - 12v Dual Hydraulic  
K = 32.0150 - Harness, Kit - PTO Remote  
L = 32.0152 - Harness, Kit - Horn  
M = 32.0149 - Harness, Kit - Backup Alarm  
N = 32.0155 - Harness, Kit - Directional  
P = 32.0154 - Harness, Kit - Strobe Light  
R = 32.0153 - Harness, Kit - Work Light

----- = \*Black Wire  
————— = White Wire  
||| ——— = Ground  
● = Splice or Connection

\* All black wires that are part of the wire harness are part of the ground circuit. However, some components such as lights may be wired where black may be positive.

All other wires colors are as shown

Anything outlined with a blue box is a Standard Feature

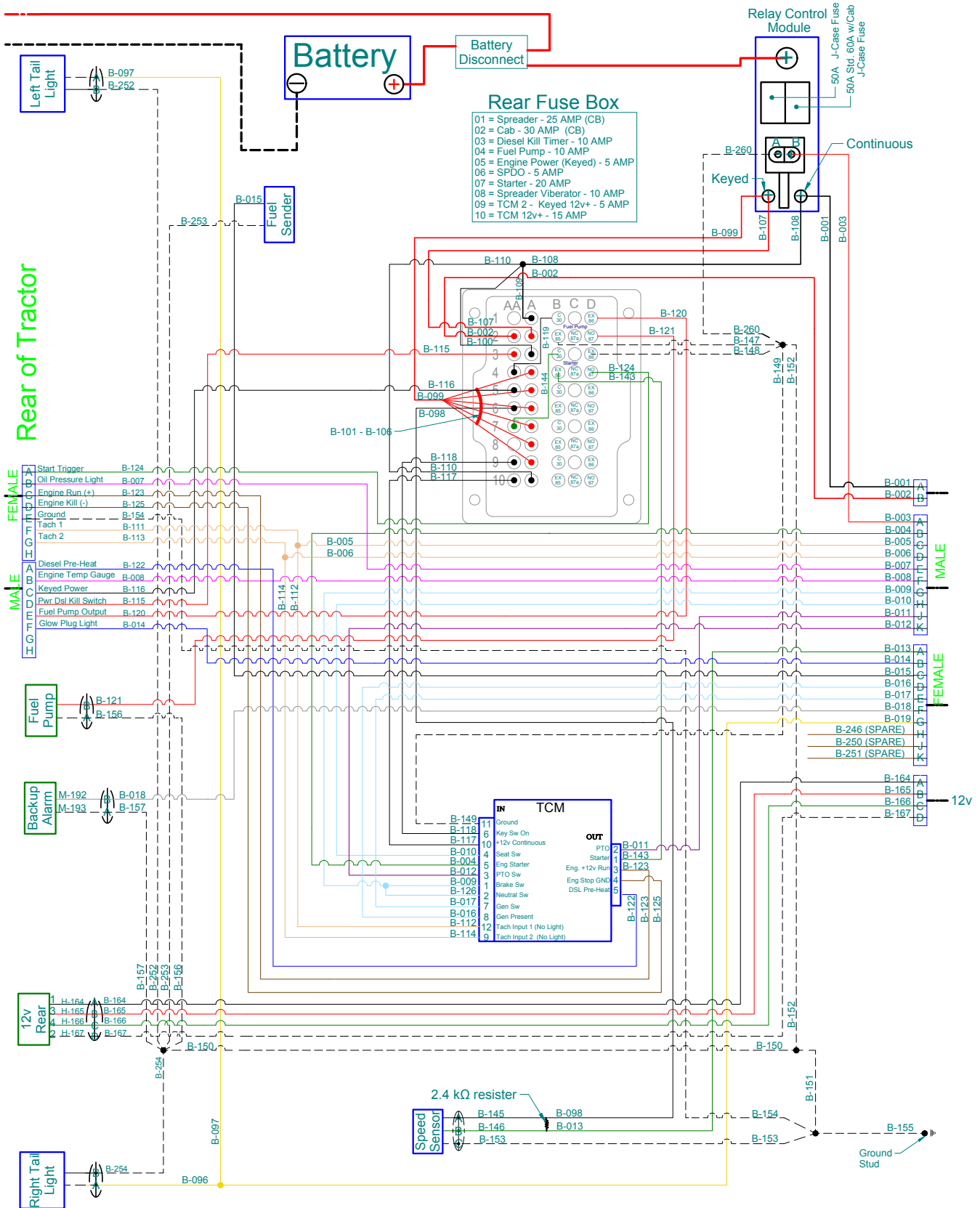
Anything outlined with a Green box is a Option

#### Wire Color & Circuit Type

Black = Ground  
Dark Blue = Pre-Heat  
Lt Blue = Safety Circuit  
Brown = Engine Run / Kill  
Gray = 12v Aux / Horn power  
Green = Start/Speed/Directional  
Lt Green = 12 Aux  
Orange = Propane / Slope  
Pink = Alarm  
Purple = PTO  
Red = Power  
Tan = RPM  
White = Power  
Yellow = Light/Directional

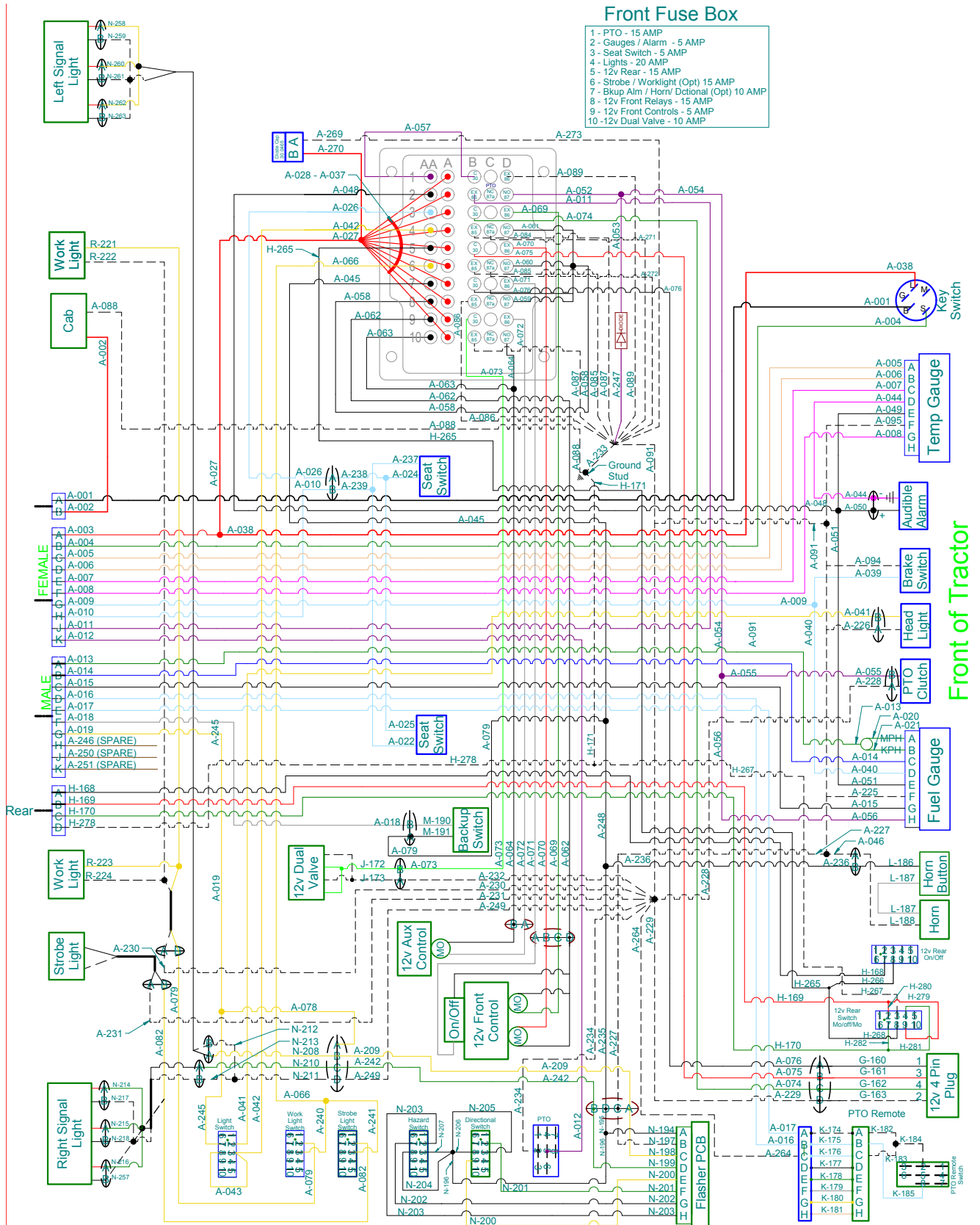
# ELECTRICAL

## ILLUSTRATED DRAWING Wiring Diagram - Rear Harness



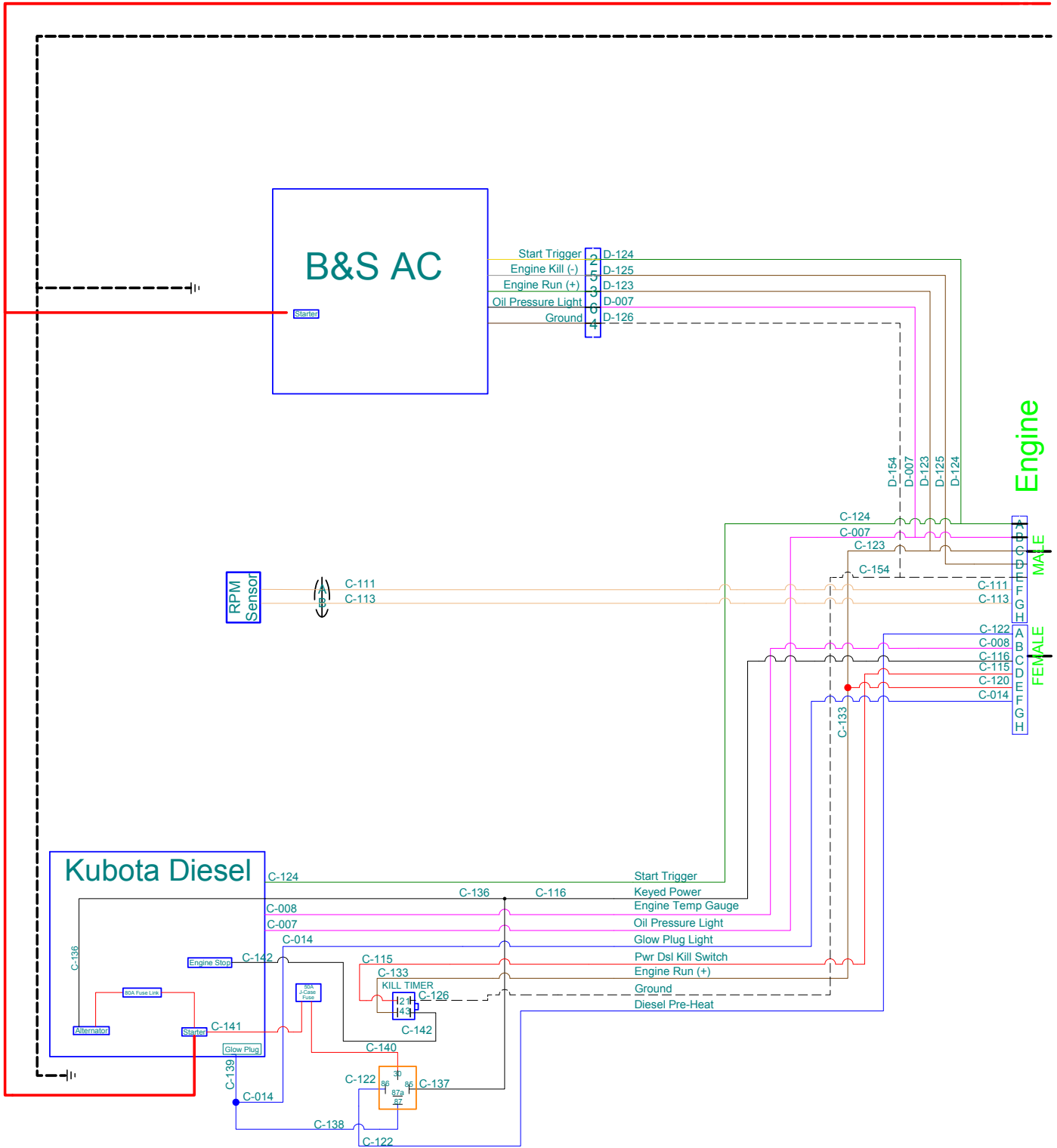
# ELECTRICAL

## ILLUSTRATED DRAWING Wiring Diagram - Front Harness



# ELECTRICAL

## ILLUSTRATED DRAWING Wiring Diagram - Engine Harness



# ELECTRICAL

## Wiring Diagram - Optional 30.0219 4-Pin Female Socket & 30.0218 4-Pin Male Plug

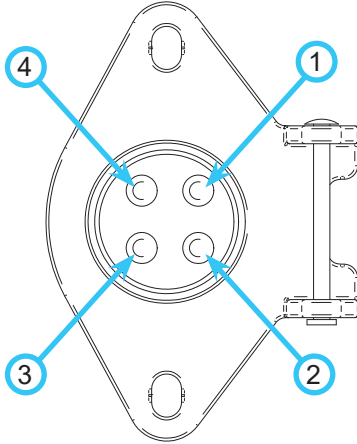


### Attention

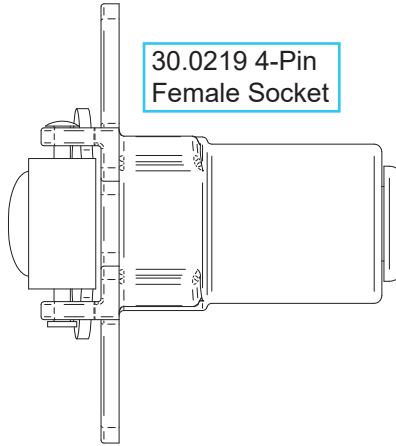
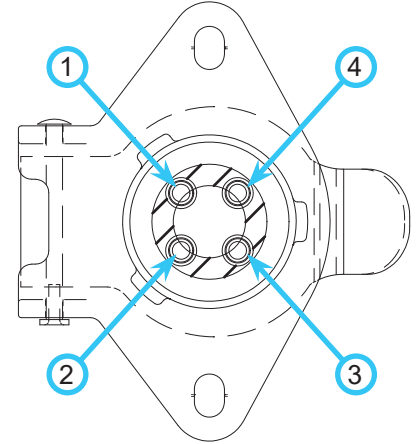
This connector (4-pin socket) is designed for use with Ventrac original equipment only. This connector (4-pin socket) is rated for 20 amp maximum current draw. Engine alternator and/or battery capacity determine allowable continuous draw.

30.0219 4-pin female socket is used in the 70.3036 12 Volt Front kit & 70.3050 12 Volt Rear Kit.

Front View of Socket  
Without Cover



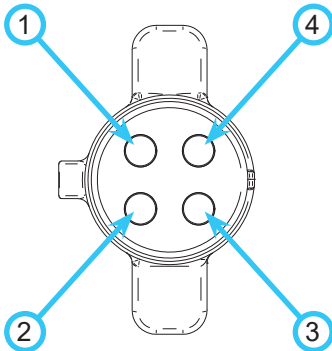
Rear View of Socket



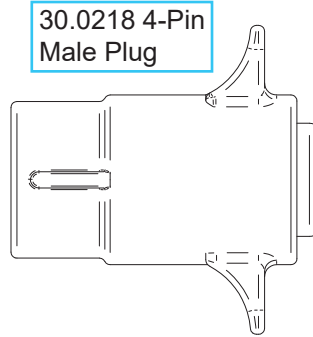
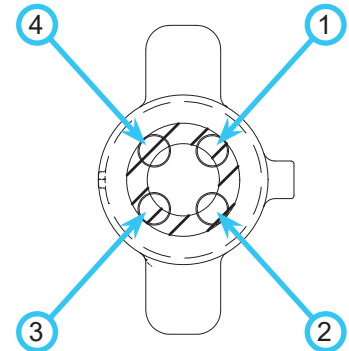
Terminal Position	Wire Color	Function
1	White	Positive (On/Off Switched)
2	Black	Negative (Constant)
3	Red	Positive/Negative (Momentary Switched Reversing)
4	Green or Brown	Positive/Negative (Momentary Switched Reversing)

30.0218 4-pin plug is used on attachments to connect to the 30.0219 socket on the power unit.

Front View of Plug



Rear View of Plug

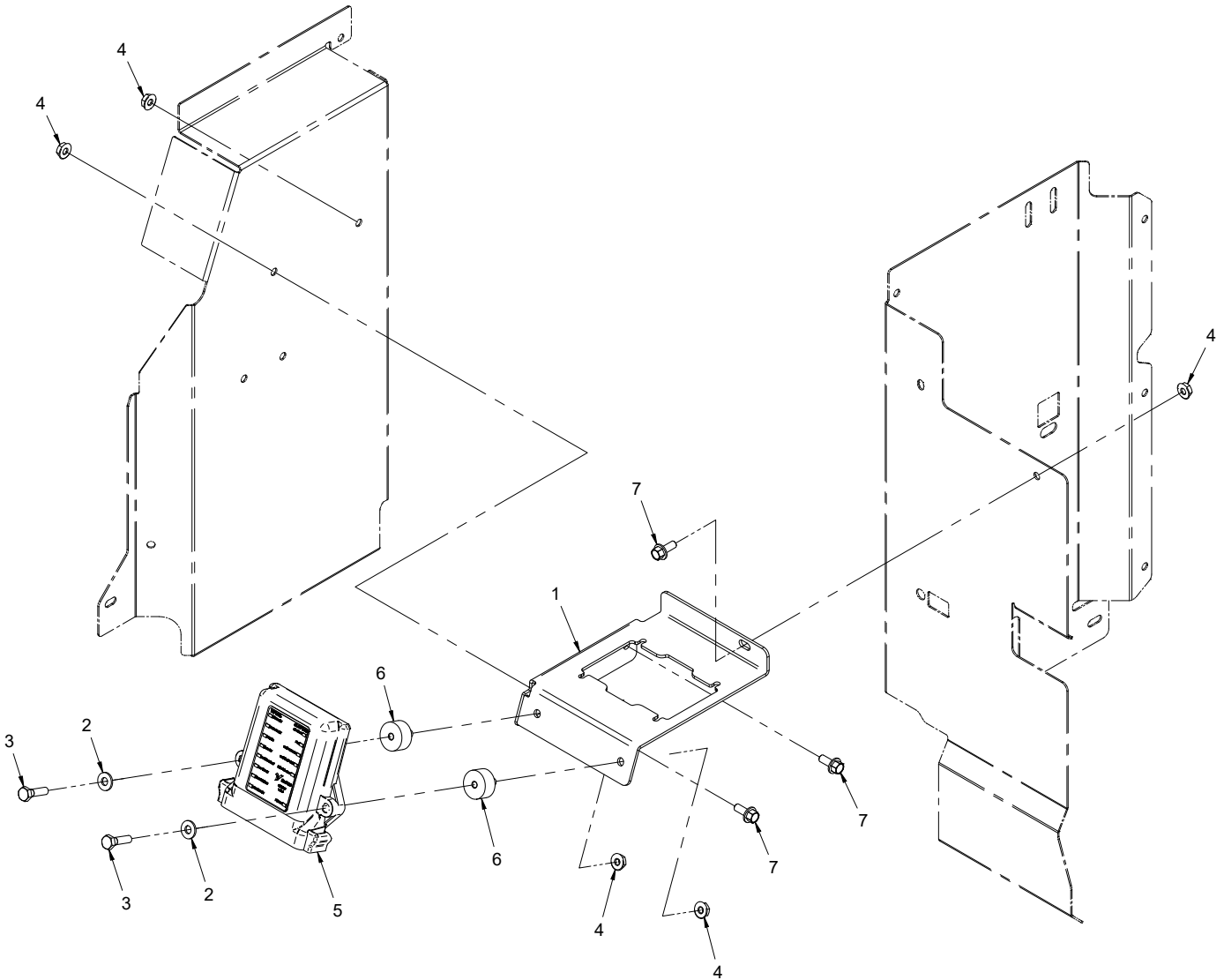


Terminal Position	Wire Color	Function
1	Not Specified*	Positive (On/Off Switched)
2	Not Specified*	Negative (Constant)
3	Not Specified*	Positive/Negative (Momentary Switched Reversing)
4	Not Specified*	Positive/Negative (Momentary Switched Reversing)

\* Refer to the part diagram in the attachment's operator's manual for specific wire color and terminal position for each model.

# ELECTRICAL

## ILLUSTRATED DRAWING Tractor Control Module



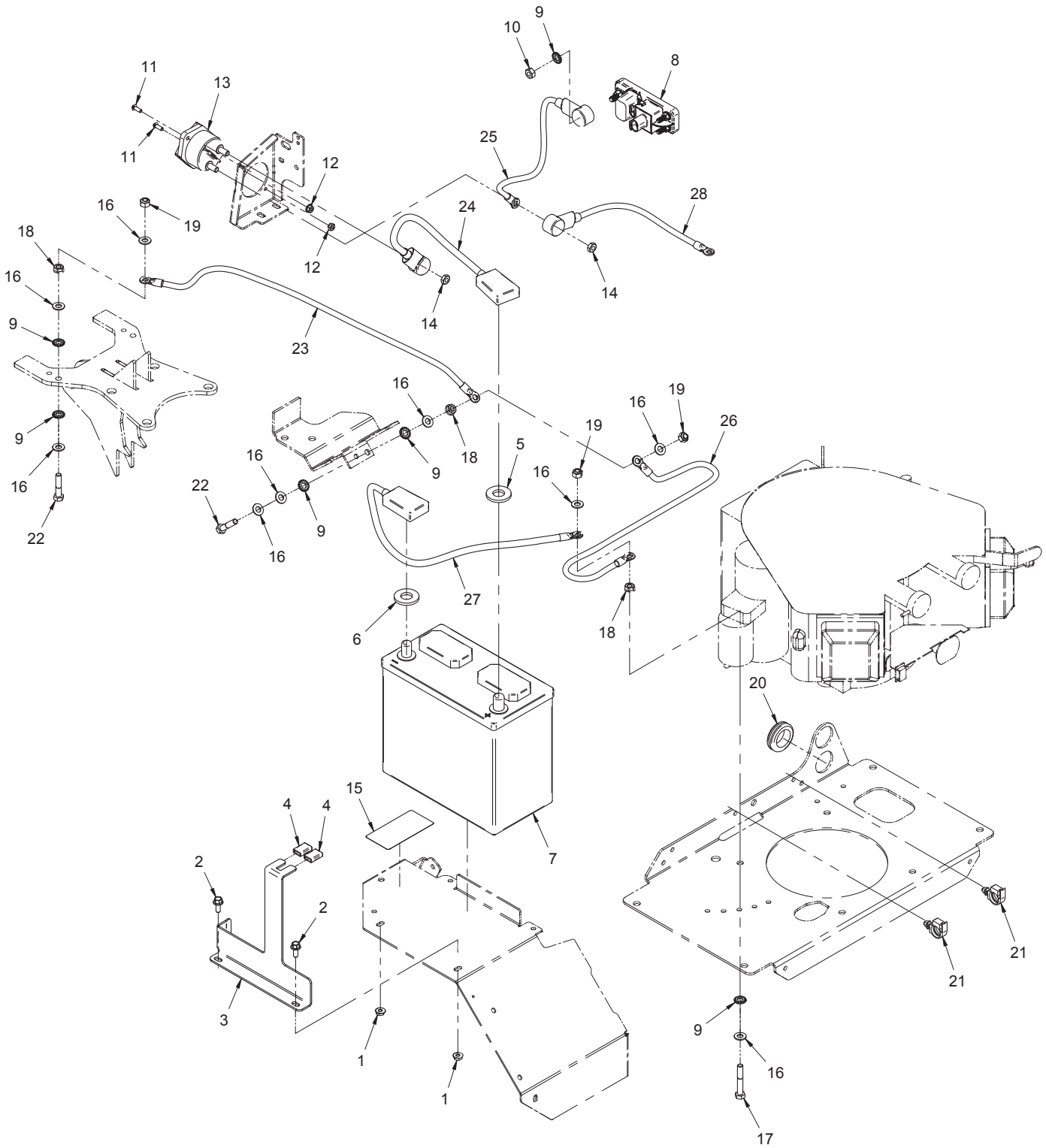
# ELECTRICAL

## Tractor Control Module

REF.	PART NO.	DESCRIPTION	QTY.
1	64.1758	.MOUNT, FUSE PANEL	1
2	95.04	.WASHER, FLAT 1/4 SAE	2
3	90.0408	.BOLT, 1/4-20 USS X 1"	2
4	99.SF04	.NUT, SRF 1/4-20 USS	5
5	35.0128	.MODULE, TRACTOR CONTROL (Serial # 01001-01158)	1
5	35.0146	.MODULE, TRACTOR CONTROL (Serial # 01159-01320)	1
5	35.0134	.MODULE, TRACTOR CONTROL (Serial # 01321-)	1
6	05.0135	.ISOLATOR, 1/4-20 X 1/2 X 1" F/M	2
7	99.SF0405-1	.BOLT, SMF 1/4-20 X 5/8	3

# ELECTRICAL

## ILLUSTRATED DRAWING Battery, Power Cables, & Ground Cables





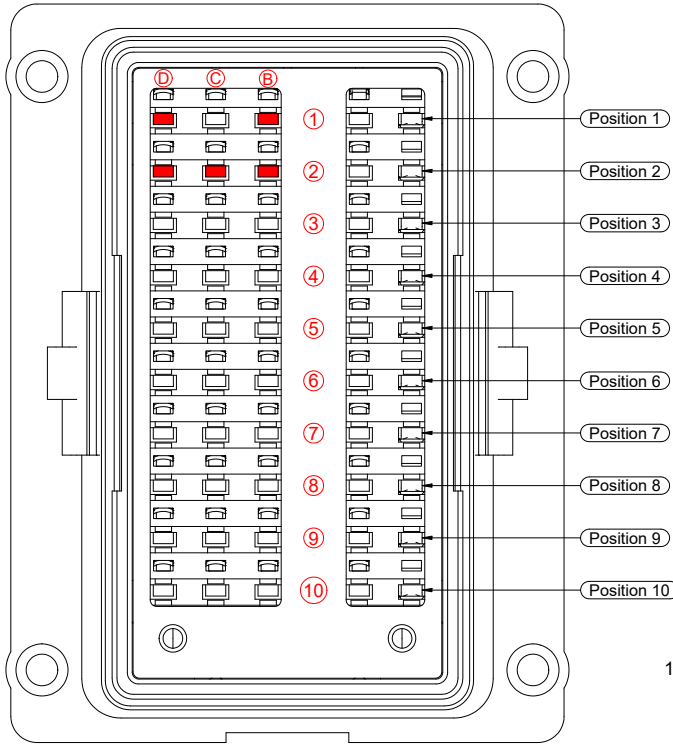
# ELECTRICAL

## Battery, Power Cables, & Ground Cables

REF.	PART NO.	DESCRIPTION	QTY.
1	99.SF04	.NUT, SRF 1/4-20 USS.	2
2	99.SF0405-1	.BOLT, SMF 1/4-20 X 5/8	2
3	64.1763	.BRACKET, BATTERY MOUNT	1
4	06.0044	.CAP, PLASTIC 1/8 X 1/2 X 7/8	2
5	05.0121	.WASHER, ANTI CORROSION RED	1
6	05.0122	.WASHER, ANTI CORROSION BLACK	1
7	33.0060	.BATTERY, GROUP 51R	1
8	30.0339	.MODULE, POWER RELAY	1
9	99.G0003	.WASHER, STAR-EXTERNAL 5/16	6
10	99.M0008	.NUT, M8 X 1.25MM ZP	1
11	99.K0062	.MACHINE SCREW, #10-32 X 1/2	2
12	99.E0035	.NUT, SRF #10-32	2
13	30.0338	.BREAKER, CIRCUIT 150 AMP	1
14	99.E0060	.NUT, JAM 5/16-18 USS	2
15	00.0366	.DECAL, WARNING BATTERY	1
16	95.05	.WASHER, FLAT 5/16 SAE	9
17	90.0516	.BOLT, 5/16-18 USS X 2"	1
18	99.SF05	.NUT, SRF 5/16-18 USS	3
19	99.A05N	.LOCKNUT, NYLON 5/16-18 USS	3
20	05.0060	.GROMMET, 1-1/8 ID, 1-3/4 OD	1
21	30.0137	.CLAMP, LOOM 5/8 ROSEBUD MOUNT	2
22	90.0512	.BOLT, 5/16-18 USS X 1-1/2"	2
23	32.0140	.CABLE, ASM NEG 6 GA.	1
24	32.0136	.CABLE, ASM POS BATTERY 4GA	1
25	32.0139	.CABLE, ASM POS 6 GA.	1
26	32.0140	.CABLE, ASM NEG 6 GA.	1
27	32.0065	.CABLE, ASM NEG BATTERY 19" 4GA	1
28	32.0139	.CABLE, ASM POS 6 GA.	1

# ELECTRICAL

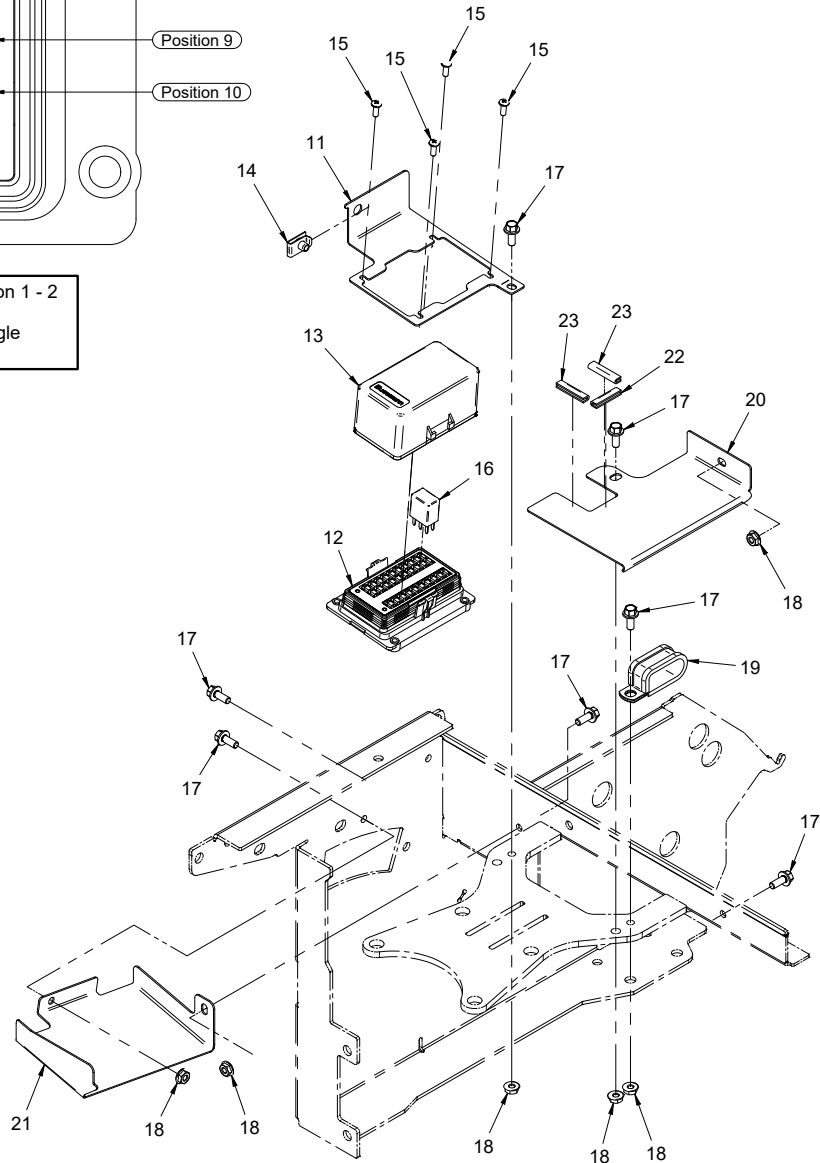
## ILLUSTRATED DRAWING Front Fuse Panel & Wire Harness Shields



Ref. # / Position	Circuit
1	PTO
2	Gauges & Alarm
3	Seat Switch
4	Head / Tail Lights
5*	12v Rear
6*	Work / Strobe Lights
7*	Backup Alarm / Horn / Direction Lights
8*	12v Front Relays
9*	12v Front Controls
10*	Hydraulic Auxiliary

\*Optional Accessory

Reference 16 relay is installed in Position 1 - 2 as referenced by shaded ports. The relay must be oriented with the single center pin down.



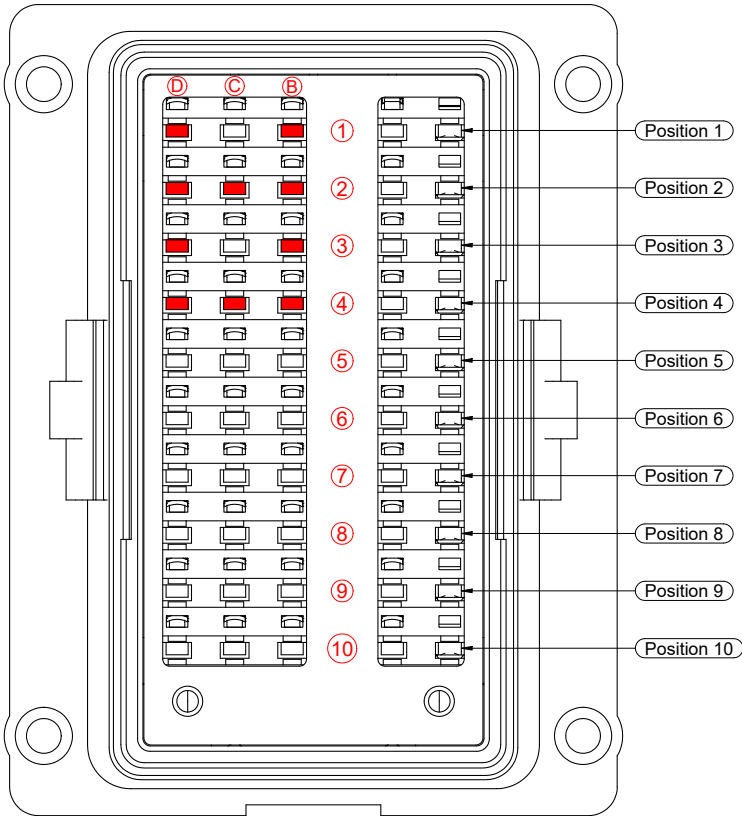
# ELECTRICAL

## Front Fuse Panel & Wire Harness Shields

REF.	PART NO.	DESCRIPTION	QTY.
1	30.0334	.FUSE, 15 AMP MINI BLUE	1
2	30.0332	.FUSE, 5 AMP MINI TAN	1
3	30.0332	.FUSE, 5 AMP MINI TAN	1
4	30.0334	.FUSE, 15 AMP MINI BLUE	1
5	30.0335	.FUSE, 20 AMP MINI YELLOW	1
6	30.0334	.FUSE, 15 AMP MINI BLUE	1
7	30.0333	.FUSE, 10 AMP MINI RED	1
8	30.0334	.FUSE, 15 AMP MINI BLUE	1
9	30.0332	.FUSE, 5 AMP MINI TAN	1
10	30.0333	.FUSE, 10 AMP MINI RED	1
11	64.1782	.BRACKET, FUSE PANEL MOUNT	1
12	30.0356	.FUSE PANEL, MINI NON-BUSSED	1
13	30.0331	.COVER, FUSE PANEL 30.0329	1
14	99.E0046	.NUT, "U" 1/4-20 EXTRUDED	1
15	99.K0062	.MACHINE SCREW, #10-32 X 1/2	4
16	35.0117	.RELAY, 12V 35/20 AMP 280 MICRO	1
17	99.SF0405-1	.BOLT, SMF 1/4-20 X 5/8	7
18	99.SF04	.NUT, SRF 1/4-20 USS	6
19	11.0071	.CLAMP, CUSHIONED METAL 3/4"	1
20	60.1205	.SHIELD, ELECTRICAL HARNESS	1
21	60.1200	.COVER, FUSE PANEL WIRES	1
22	06.0057-1.25IN	.TRIM, EDGE GUARD 5/16" BLACK X 1-1/4"	1
23	06.0057-1.38IN	.TRIM, EDGE GUARD 5/16" BLACK X 1-3/8"	2

# ELECTRICAL

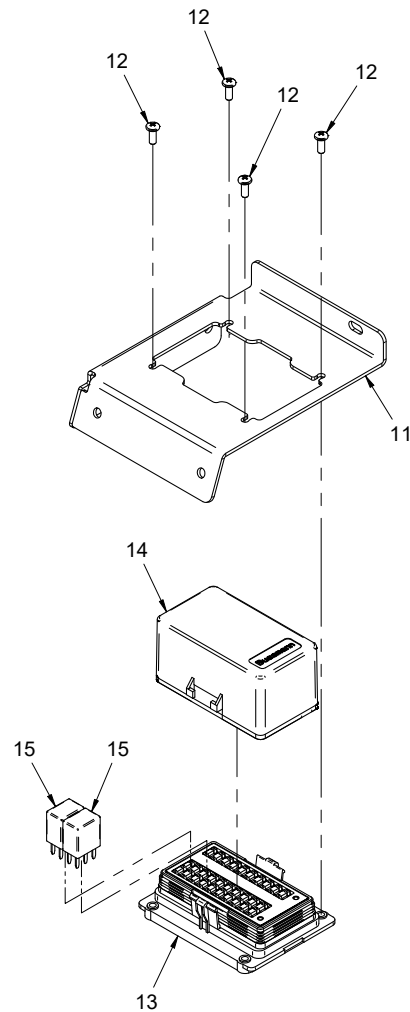
## ILLUSTRATED DRAWING Rear Fuse Panel



Ref. # / Position	Circuit
1*	Spreader
2*	Cab
3	Fuel Pump
4	Diesel Stop
5	Engine Run
6	Speedometer
7	Starter Relay
8*	Spreader Vibrator
9	Tractor Control Module 1
10	Tractor Control Module 2

\*Optional Accessory

Reference 15 relays are installed in Position 1 - 2 and Position 3 - 4 as referenced by shaded ports. The relays must be oriented with the single center pin down.



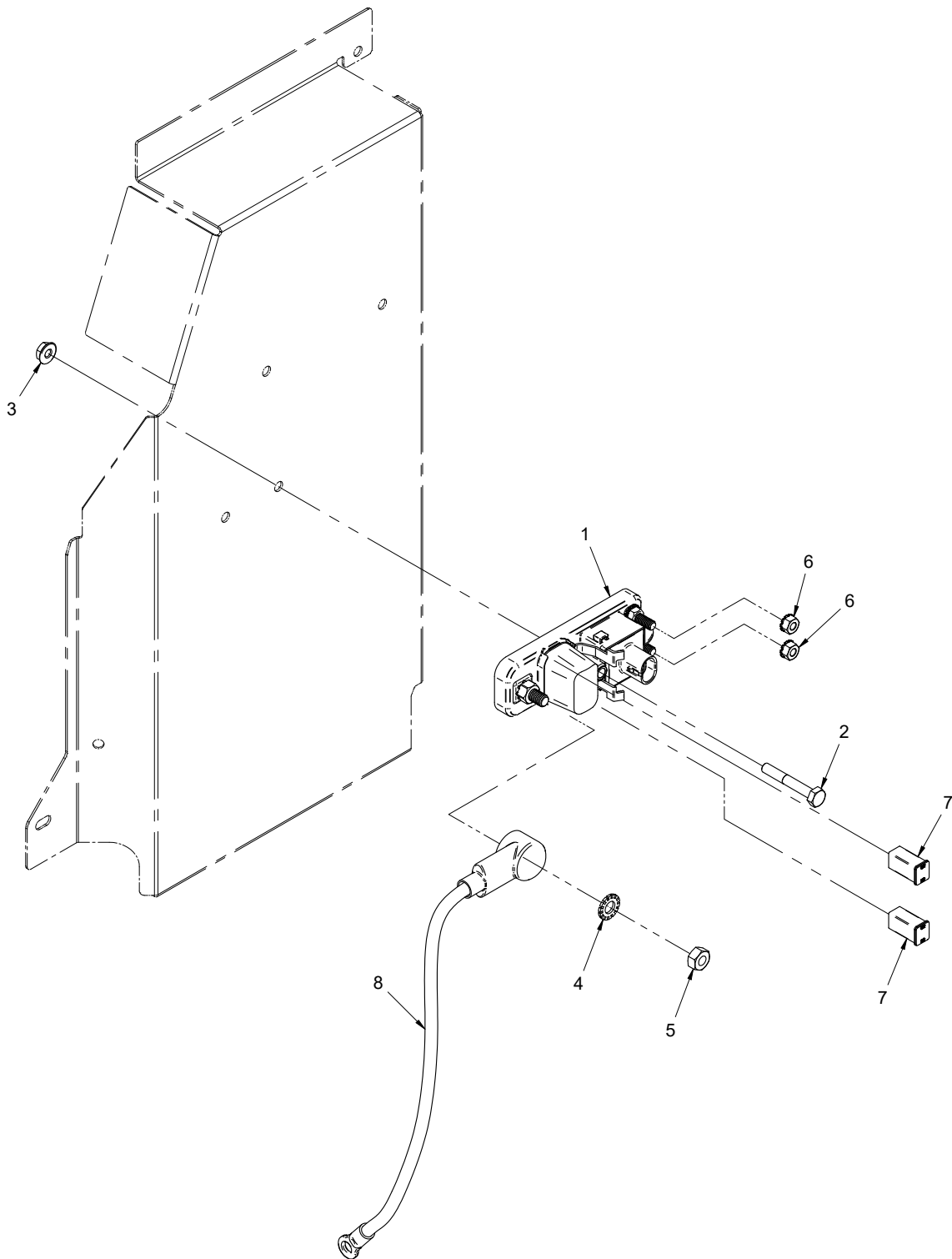
# ELECTRICAL

## Rear Fuse Panel

REF.	PART NO.	DESCRIPTION	QTY.
1	30.0429	.BREAKER, CIRCUIT 25 AMP MINI	1
2	30.0445	.BREAKER, CIRCUIT 30 AMP MINI	1
3	30.0333	.FUSE, 10 AMP MINI RED	1
4	30.0333	.FUSE, 10 AMP MINI RED	1
5	30.0332	.FUSE, 5 AMP MINI TAN	1
6	30.0332	.FUSE, 5 AMP MINI TAN	1
7	30.0335	.FUSE, 20 AMP MINI YELLOW	1
8	30.0333	.FUSE, 10 AMP MINI RED	1
9	30.0332	.FUSE, 5 AMP MINI TAN	1
10	30.0334	.FUSE, 15 AMP MINI BLUE	1
11	64.1758	.MOUNT, FUSE PANEL	1
12	99.K0062	.MACHINE SCREW, #10-32 X 1/2	4
13	30.0356	.FUSE PANEL, MINI NON-BUSSED	1
14	30.0331	.COVER, FUSE PANEL 30.0329	1
15	35.0117	.RELAY, 12V 35/20 AMP 280 MICRO	2

# ELECTRICAL

## ILLUSTRATED DRAWING Power Relay Module



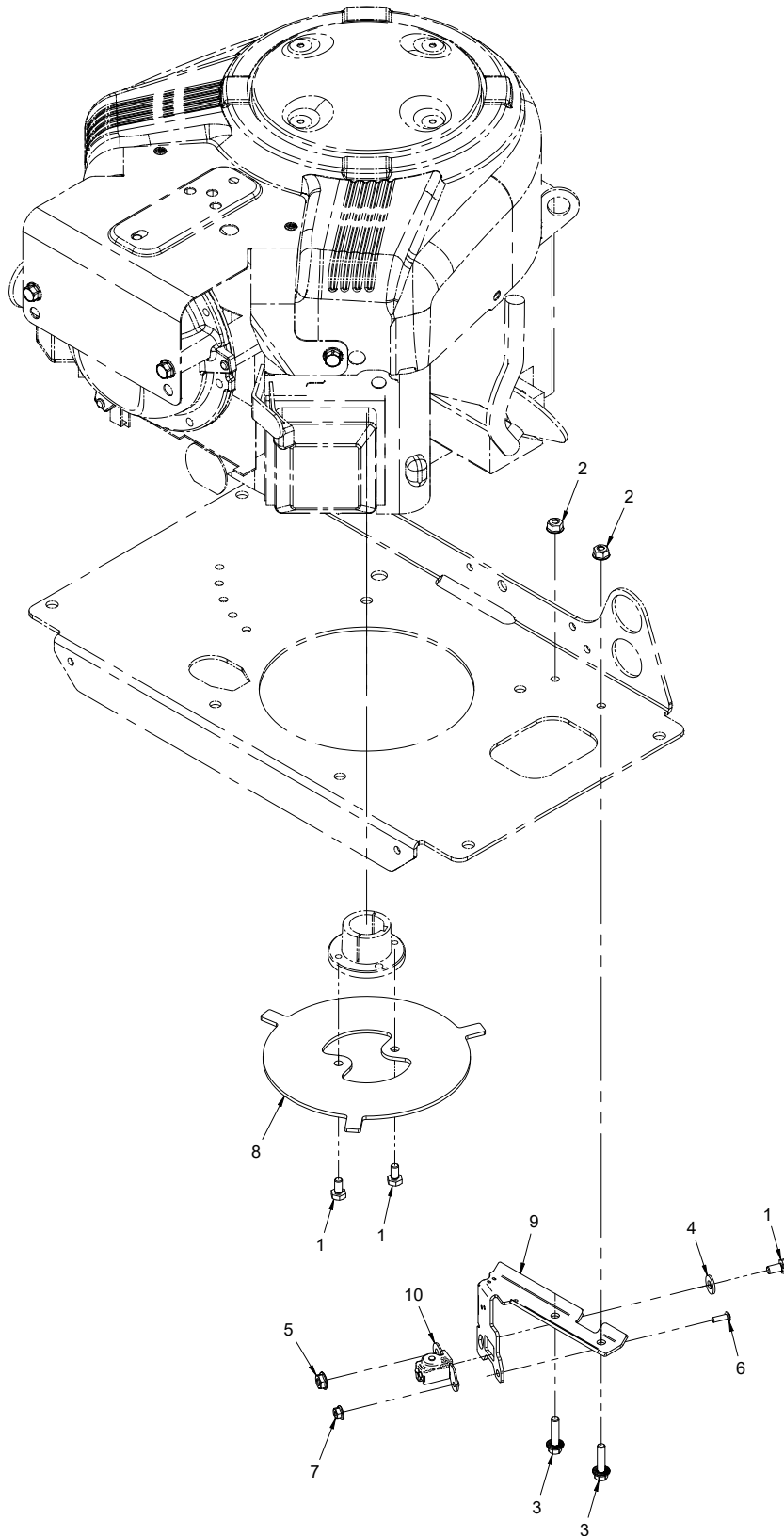
# ELECTRICAL

## Power Relay Module

REF.	PART NO.	DESCRIPTION	QTY.
1	30.0339	.MODULE, POWER RELAY	1
2	90.0414	.BOLT, 1/4-20 USS X 1-3/4"	1
3	99.SF04	.NUT, SRF 1/4-20 USS	1
4	99.G0003	.WASHER, STAR-EXTERNAL 5/16	1
5	99.M0008	.NUT, M8 X 1.25MM ZP	1
6	99.M0029	.NUT, M6 X 1.0 W/LOCK WASHER	2
7	30.0374	.FUSE, 50A J-CASE ORANGE	2
8	32.0139	.CABLE, ASM POS 6 GA.	1

# ELECTRICAL

## ILLUSTRATED DRAWING RPM Sensor





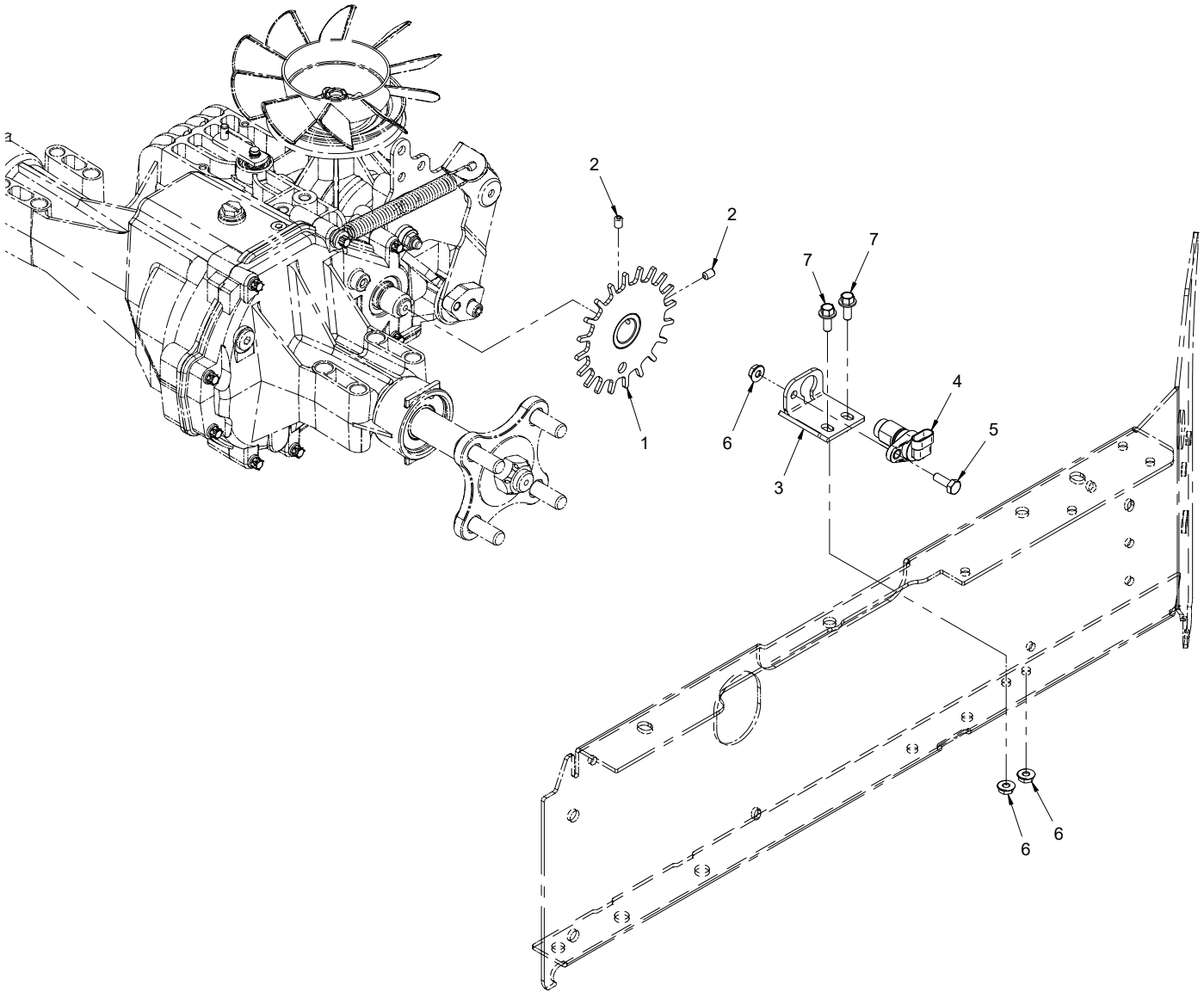
# ELECTRICAL

## RPM Sensor

REF.	PART NO.	DESCRIPTION	QTY.
1	90.0404	.BOLT, 1/4-20 USS X 1/2"	3
2	99.E0101	.NUT, LOCKING FLANGE 1/4-20	2
3	99.SF0408	.BOLT, SRF 1/4 X 1 USS	2
4	95.04	.WASHER, FLAT 1/4 SAE	1
5	99.SF04	.NUT, SRF 1/4-20 USS	1
6	99.K0041	.MACHINE SCREW, #8-32 X 1/2	1
7	99.E0062	.NUT, SF #8-32	1
8	64.1803	.PLATE, ENGINE RPM INDICATOR	1
9	64.1804	.BRACKET, RPM SENSOR MOUNT	1
10	35.0139	.SENSOR, RPM	1

# ELECTRICAL

## ILLUSTRATED DRAWING Speedometer Sensor



# ELECTRICAL

## Speedometer Sensor

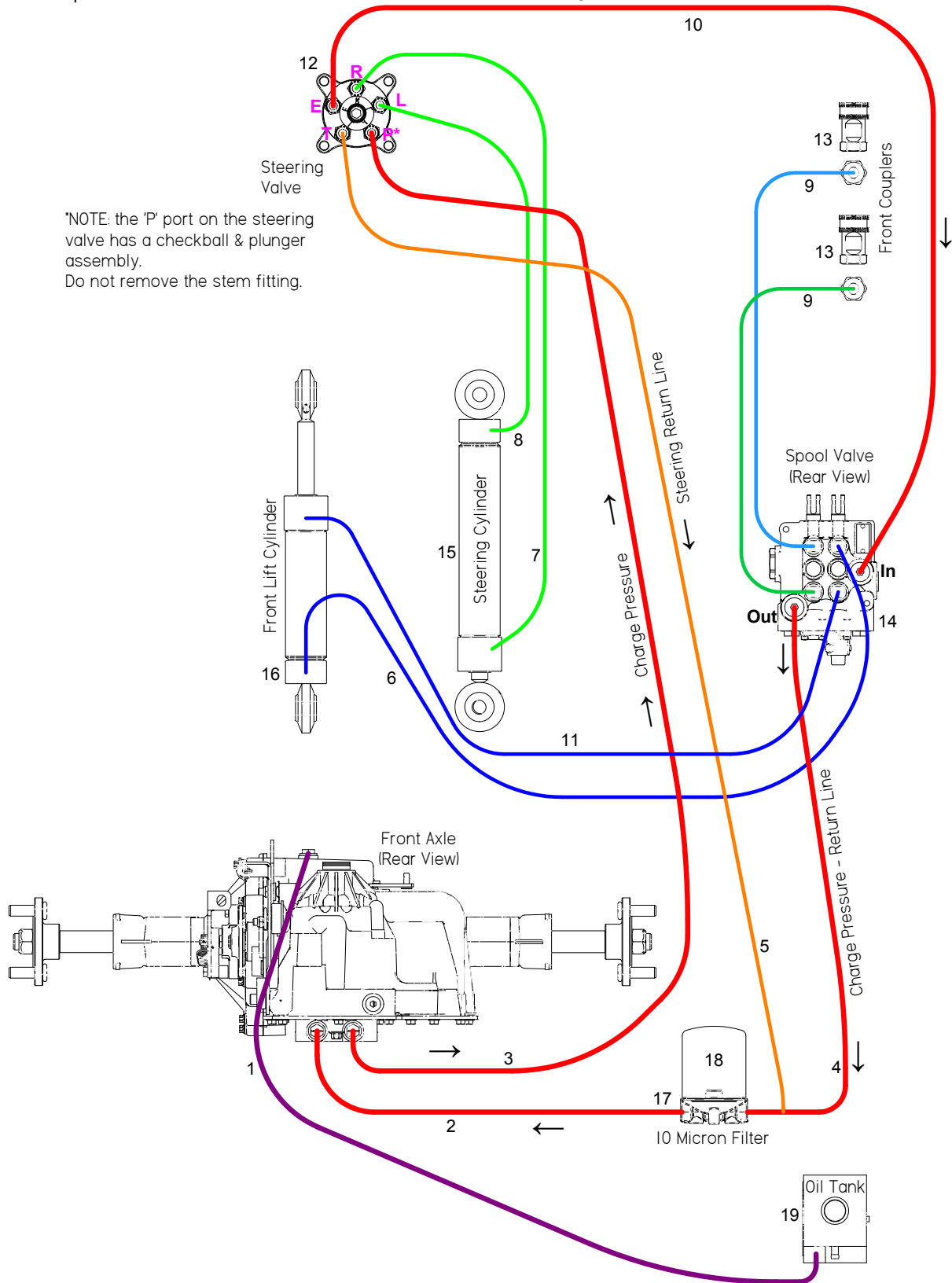
REF.	PART NO.	DESCRIPTION	QTY.
1	64.1771	.PLATE, SPEED INDICATOR	1
2	85.SS11	.SET SCREW, 1/4-28 X 3/8"	2
3	64.1773	.MOUNT, SPEED SENSOR	1
4	35.0121	.SENSOR, GEAR TOOTH SPEED	1
5	90.0406	.BOLT, 1/4-20 USS X 3/4"	1
6	99.SF04	.NUT, SRF 1/4-20 USS	3
7	99.SF0405-1	.BOLT, SMF 1/4-20 X 5/8	2

# HYDRAULICS

## ILLUSTRATED DRAWING Hydraulic Diagram

Top View Shown Unless Noted

→ Charge Pressure →



# HYDRAULICS

## Hydraulic Diagram

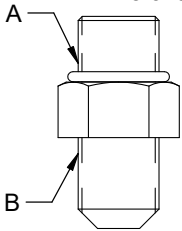
REF.	PART NO.	DESCRIPTION	QTY.
1	22.0066	.HOSE, 3/8X33.5 PLK 250PSI CPE	1
2	20.0314	.HOSE, 3/8X11.50 SAE 100R17 AR	1
3	20.0242	.HOSE, 3/8X61.00 SAE 100R17 AR	1
4	20.0312	.HOSE, 3/8X20.00 SAE 100R17 AR	1
5	20.0213	.HOSE, 1/4X46.00 SAE 100R17 AR	1
6	20.0248	.HOSE, 1/4X27.00 SAE 100R17 AR	1
7	20.0247	.HOSE, 1/4X41.00 SAE 100R17 AR	1
8	20.0246	.HOSE, 1/4X31.00 SAE 100R17 AR	1
9	20.0259	.HOSE, 1/4X20.00 SAE 100R17 AR	2
10	20.0243	.HOSE, 3/8X50.00 SAE 100R17 AR	1
11	20.0212	.HOSE, 1/4X23.00 SAE 100R17 AR	1
12	23.0113	.VALVE, STEERING-DANFOSS 100CC.	1
13	23.0106	.COUPLER, QUICK FEMALE 1/4	2
14	23.0111-1	.VALVE, HY 2 SPL W/LH FLT,RH SP	1
15	23.0129	.CYLINDER, 1-1/2" X 8" STEERING	1
16	23.0130	.CYLINDER, 1-1/2" X 5"	1
17	21.0123	.FILTER, HEAD 06 ORB	1
18	21.0124	.FILTER, HYD. 10 MICRON CEL.	1
19	47.0258	.TANK, COOLANT/HYDRAULIC OIL	1

# HYDRAULICS

## O-Ring Chart

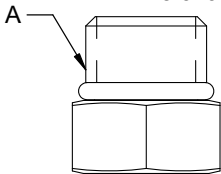
Straight Thread O-Ring Boss - O-Ring Replacement Part Numbers						
SAE Fitting Size	Thread Size	VPI Part #	ID	OD	Width	AS568A Dash #
-04	7/16-20	26.0035	0.351"	0.495"	0.072"	904
-06	9/16-18	26.0036	0.468"	0.624"	0.078"	906
-08	3/4-16	26.0037	0.644"	0.818"	0.087"	908
-10	7/8-14	26.0038	0.755"	0.949"	0.097"	910
-12	1-1/16-12	26.0039	0.924"	1.156"	0.116"	912
-16	1-5/16-12	26.0043	1.171"	1.403"	0.116"	916

### 25.6400-(xx)-(xx) Fitting



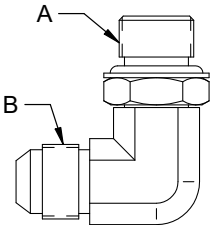
Fitting End A		O-Ring		Fitting End B		O-Ring	
SAE Fitting Size	Thread Size	AS568A Dash #	VPI Part #	SAE Fitting Size	Thread Size	AS568A Dash #	VPI Part #
-04	7/16-20	904	26.0035	-04	7/16-20	-	-
-06	9/16-18	906	26.0036	-06	9/16-18	-	-
-08	3/4-16	908	26.0037	-08	3/4-16	-	-
-10	7/8-14	910	26.0038	-10	7/8-14	-	-
-12	1-1/16-12	912	26.0039	-12	1-1/16-12	-	-
-16	1-5/16-12	916	26.0043	-16	1-5/16-12	-	-

### 25.6408-(xx) Plug



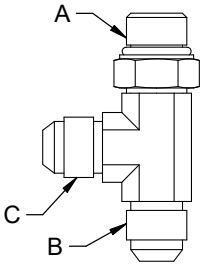
Fitting End A		O-Ring	
SAE Fitting Size	Thread Size	AS568A Dash #	VPI Part #
-04	7/16-20	904	26.0035
-06	9/16-18	906	26.0036
-08	3/4-16	908	26.0037
-10	7/8-14	910	26.0038
-12	1-1/16-12	912	26.0039
-16	1-5/16-12	916	26.0043

### 25.6801-(xx)-(xx) Fitting



Fitting End A		O-Ring		Fitting End B		O-Ring	
SAE Fitting Size	Thread Size	AS568A Dash #	VPI Part #	SAE Fitting Size	Thread Size	AS568A Dash #	VPI Part #
-04	7/16-20	904	26.0035	-04	7/16-20	-	-
-06	9/16-18	906	26.0036	-06	9/16-18	-	-
-08	3/4-16	908	26.0037	-08	3/4-16	-	-
-10	7/8-14	910	26.0038	-10	7/8-14	-	-
-12	1-1/16-12	912	26.0039	-12	1-1/16-12	-	-
-16	1-5/16-12	916	26.0043	-16	1-5/16-12	-	-

### 25.6804-(x)-(x)-(x) Fitting



Fitting End A		O-Ring		Fitting End B & C		O-Ring	
SAE Fitting Size	Thread Size	AS568A Dash #	VPI Part #	SAE Fitting Size	Thread Size	AS568A Dash #	VPI Part #
-04	7/16-20	904	26.0035	-04	7/16-20	-	-
-06	9/16-18	906	26.0036	-06	9/16-18	-	-
-08	3/4-16	908	26.0037	-08	3/4-16	-	-
-10	7/8-14	910	26.0038	-10	7/8-14	-	-
-12	1-1/16-12	912	26.0039	-12	1-1/16-12	-	-
-16	1-5/16-12	916	26.0043	-16	1-5/16-12	-	-

# HYDRAULICS

---

Blank Page





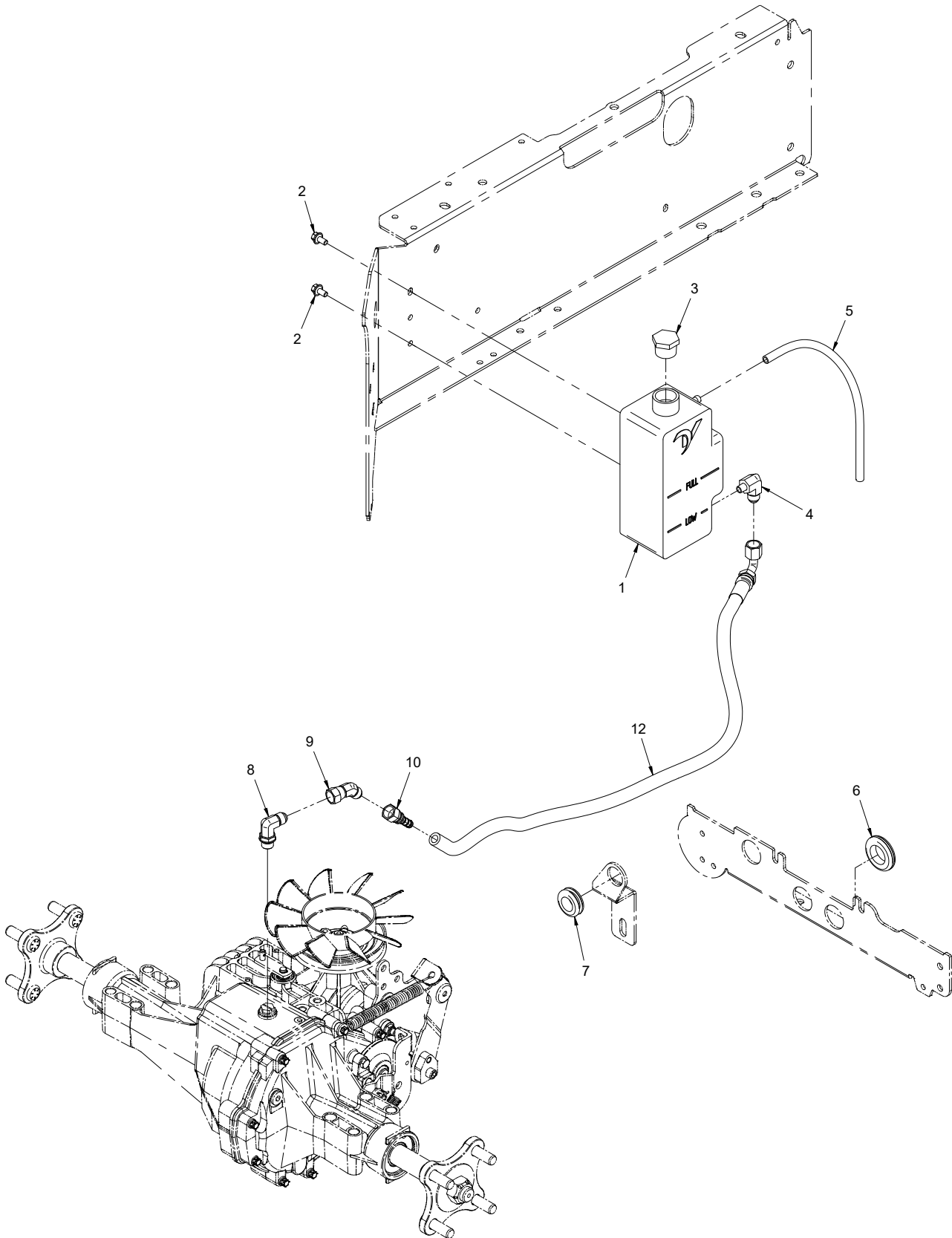
# HYDRAULICS

## Hydraulic Charge Pressure Circuit

REF.	PART NO.	DESCRIPTION	QTY.
1	11.0065	.CLAMP, CUSHIONED METAL 2"	2
2	23.0113	.VALVE, STEERING-DANFOSS 100CC	1
	89.0095	.KIT, SEAL FOR 23.0113 STEER VALVE	1
3	25.6400-06-06	.FITTING, M CONN 3/8 X 3/8	3
4	23.0111-1	.VALVE, HY 2 SPL W/LH FLT, RH SP.	1
5	25.6400-06-08	.FITTING, M CONN 3/8 X 1/2	1
6	25.6801-06-08	.FITTING, 90 ME 3/8 X 1/2	1
7	21.0123	.FILTER, HEAD 06 ORB	1
8	21.0124	.FILTER, HYD. 10 MICRON CEL	1
9	99.SF0404-1	.BOLT, SMF 1/4-20 X 1/2	2
10	25.6804-6-6-6	.FITTING, M TEE 3/8X3/8X3/8	1
11	20.0213	.HOSE, 1/4 X 46.00 SAE 100R17AR	1
12	20.0312	.HOSE, 3/8 X 20.00 SAE 100R17AR	1
13	20.0243	.HOSE, 3/8 X 50.00 SAE 100R17 AR	1
14	20.0314	.HOSE, 3/8 X 11.50 SAE 100R17 AR	1
15	20.0242	.HOSE, 3/8 X 61.00 SAE 100R17 AR	1
16	44.0224	.SLEEVE, HOSE PROTECTOR 6"	1
17	30.0204	.TYTON TIE, #50 .190 X 12"	3
30	26.0027	.O-RING, 5/8ID X 13/16OD X 3/32	4
31	23.0111-7	.KIT, SPOOL FLOAT HYD. VALVE	1
32	23.0111-8	.CAP, VALVE	1

# HYDRAULICS

## ILLUSTRATED DRAWING Hydraulic Oil Tank



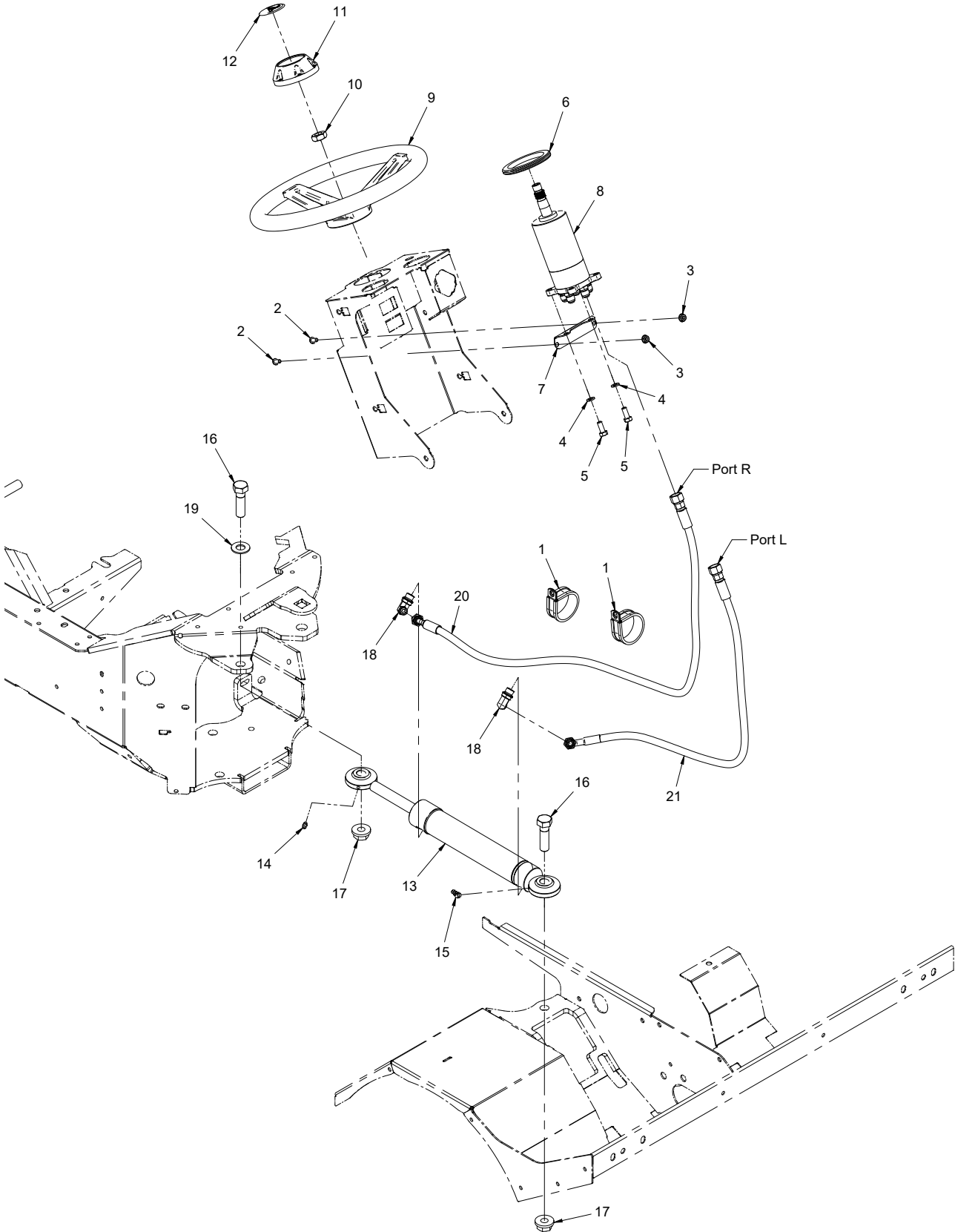
# HYDRAULICS

## Hydraulic Oil Tank

REF.	PART NO.	DESCRIPTION	QTY.
1	47.0258	.TANK, COOLANT / HYDRAULIC OIL	1
2	99.SF0404-1	.BOLT, SMF 1/4-20 X 1/2	2
3	05.0108	.PLUG, 3/4" NPT M, WHITE	1
4	25.2501-06-02F	.FITTING, 90 ME 3/8 X 1/8	1
5	27.T06-2-14IN	.TUBE, PVC CLEAR 3/8 OD X 1/4 ID X 14"	1
6	05.0044	.GROMMET, 1 ID, 1-3/4OD, 3/8THK	1
7	05.0045	.GROMMET, 3/4ID, 1 3/8OD, 1/2THK	1
8	25.6801-06-06	.FITTING, 90 ME 3/8 X 3/8	1
9	25.6502-06-06	.FITTING, 45 MFE 3/8 X 3/8	1
10	27.P06FS06	.HOSE END, #6 F JIC 3/8 P.LOCK	1
11	29.GF0003	.GREASE FTG, 1/4 SAE 45	1
12	22.0066	.HOSE, 3/8X35.5 PLK 250 PSI CPE	1

# HYDRAULICS

## ILLUSTRATED DRAWING Hydraulic Steering System



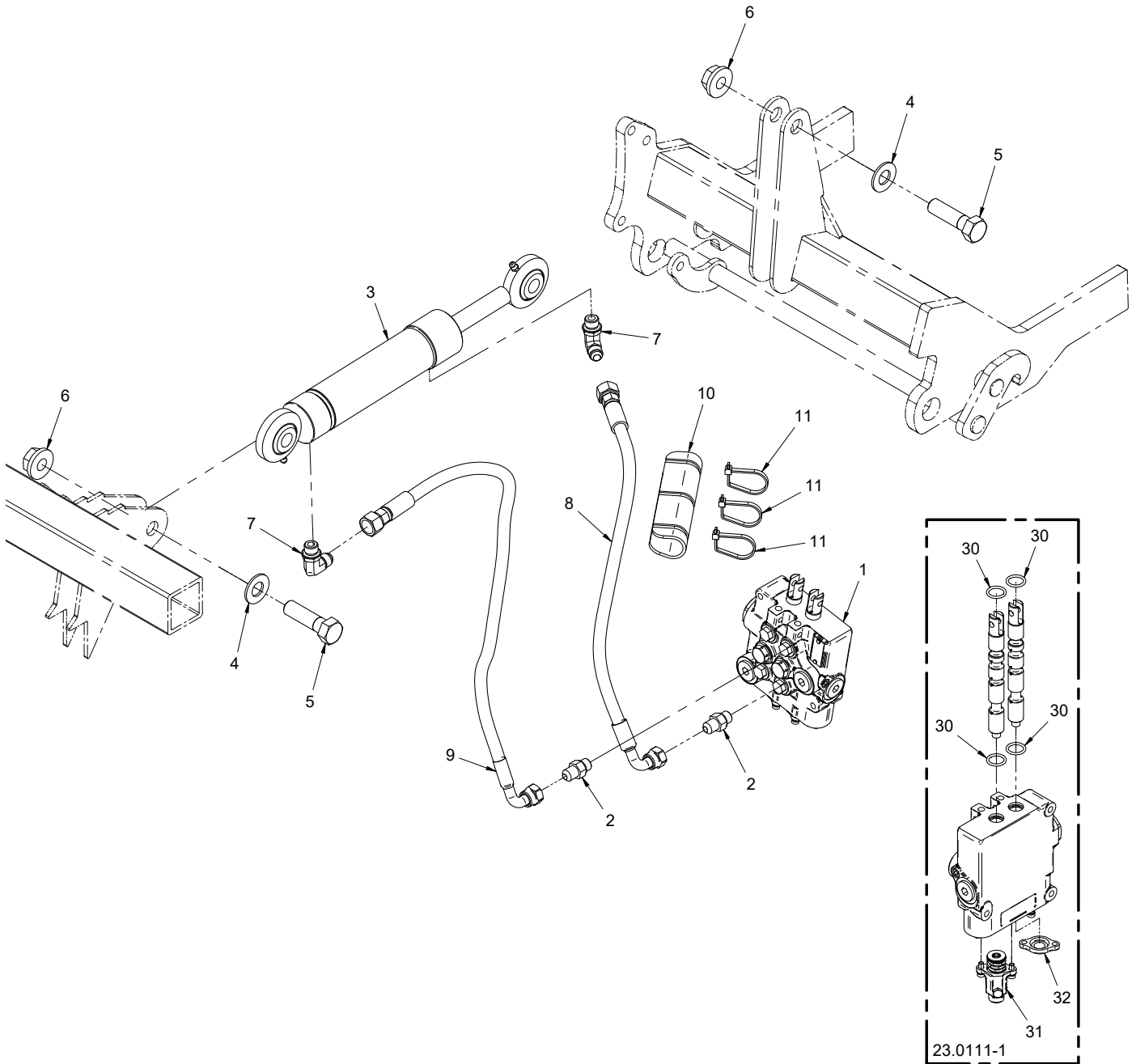
# HYDRAULICS

## Hydraulic Steering System

REF.	PART NO.	DESCRIPTION	QTY.
1	11.0065	.CLAMP, CUSHIONED METAL 2"	2
2	99.0404	.BOLT, 1/4-20 X 1/2 BSCS	2
3	99.SF04	.NUT, SRF 1/4-20 USS	2
4	96.05	.WASHER, LOCK 5/16	2
5	99.M0005	.BOLT, M8 X 1.25 P X 20MM LONG	2
6	05.0080	.GROMMET, 2-3/4 ID, 3-5/8 OD, 5/16T	1
7	64.1262	.BRACKET, STEERING VALVE MOUNT	1
8	23.0113	.VALVE, STEERING-DANFOSS 100CC	1
	89.0095	.KIT, SEAL FOR 23.0113 STEER VALVE	1
9	47.0117	.STEERING WHEEL, 16MM X 40T	1
10	99.E0011	.NUT, JAM 5/8 SAE	1
11	47.0118	.CAP, STEERING WHEEL	1
12	00.0207	.DECAL, VENTRAC DOME	1
13	23.0129	.CYLINDER, 1-1/2" X 8" STEERING	1
14	29.GF0001	.GREASE FTG, 1/4 SAE ST	1
15	29.GF0003	.GREASE FTG, 1/4 SAE 45	1
16	90.1018	.BOLT, 5/8-11 USS X 2-1/4	2
17	99.E0094	.LOCKNUT, 5/8-11 FLANGED STOVER	2
18	25.6801-06-06	.FITTING, 90 ME 3/8 X 3/8	2
19	95.10	.WASHER, FLAT 5/8 SAE	1
20	20.0247	.HOSE, 1/4 X 41.00 SAE 100R17 AR	1
21	20.0246	.HOSE, 1/4 X 31.00 SAE 100R17 AR	1

# HYDRAULICS

## ILLUSTRATED DRAWING Front Hitch Hydraulic Lift



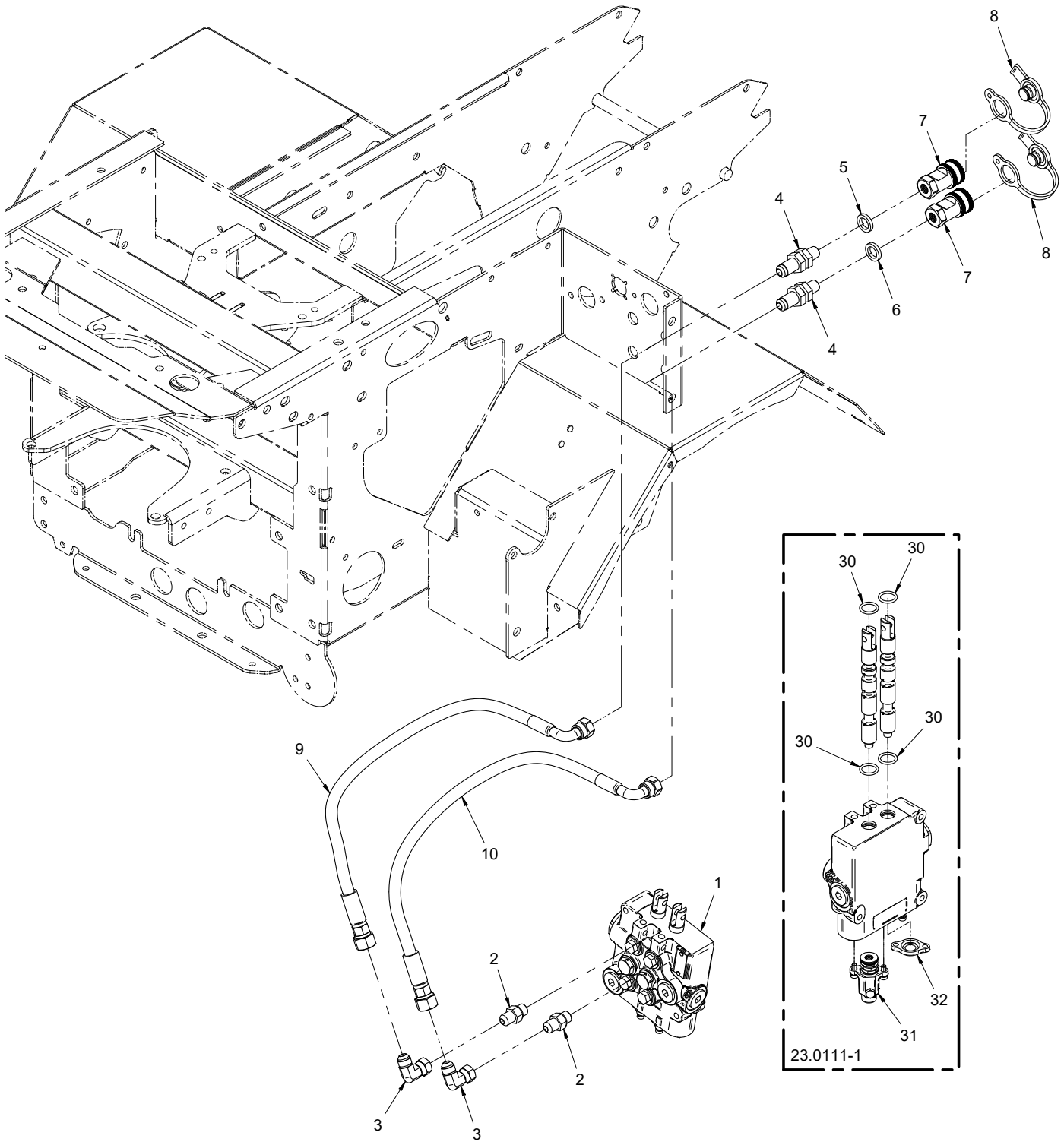
# HYDRAULICS

## Front Hitch Hydraulic Lift

REF.	PART NO.	DESCRIPTION	QTY.
1	23.0111-1	.VALVE, HY 2 SPL W/LH FLT, RH SP.	1
2	25.6400-06-06	.FITTING, M CONN 3/8 X 3/8	2
3	23.0130	.CYLINDER, 1-1/2" X 5"	1
4	95.10	.WASHER, FLAT 5/8 SAE	2
5	90.1018	.BOLT, 5/8-11 USS X 2-1/4	2
6	99.E0094	.LOCKNUT, 5/8-11 FLANGED STOVER.	2
7	25.6801-06-06	.FITTING, 90 ME 3/8 X 3/8.	2
8	20.0212	.HOSE, 1/4X23.00 SAE 100R17AR.	1
9	20.0248	.HOSE, 1/4X27.00 SAE 100R17AR.	1
10	44.0224	.SLEEVE, HOSE PROTECTOR 6"	1
11	30.0204	.TYTON TIE, #50 .190 X 12"	3
30	26.0027	.O-RING, 5/8ID X 13/16OD X 3/32	4
31	23.0111-7	.KIT, SPOOL FLOAT HYD. VALVE	1
32	23.0111-8	.CAP, VALVE.	1

# HYDRAULICS

## ILLUSTRATED DRAWING Auxiliary Hydraulic Quick Couplers





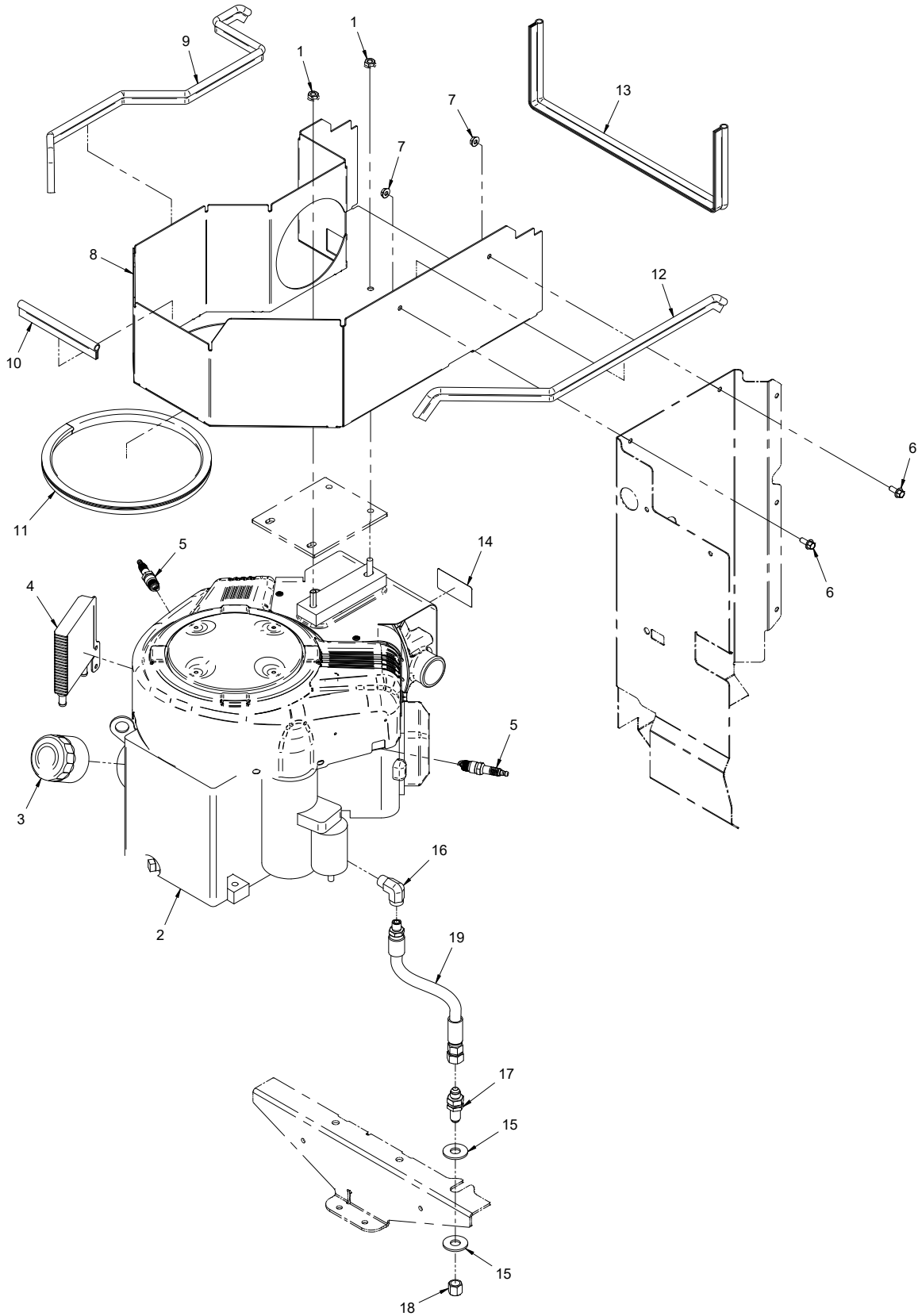
# HYDRAULICS

## Auxiliary Hydraulic Quick Couplers

REF.	PART NO.	DESCRIPTION	QTY.
1	23.0111-1	.VALVE, HY 2 SPL W/LH FLT, RH SP.	1
2	25.6400-06-06	.FITTING, M CONN 3/8 X 3/8	2
3	25.6500-06-06	.FITTING, 90 MFE 3/8 X 3/8	2
4	25.2706-04-06LN	.FITTING, BULKHEAD W/ LOCKNUT	2
5	05.0117	.WASHER, .544 ID X .817 X .14 YEL	1
6	05.0116	.WASHER, .544 ID X .817 X .14 RED	1
7	23.0106	.COUPLER, HYDRAULIC QUICK - 1/4 FEMALE	2
8	23.0126	.PLUG, DUST FOR 23.0106	2
9	20.0259	.HOSE, 1/4 X 20.00 SAE 100R17AR	1
10	20.0259	.HOSE, 1/4 X 20.00 SAE 100R17AR	1
30	26.0027	.O-RING, 5/8ID X 13/16OD X 3/32	4
31	23.0111-7	.KIT, SPOOL FLOAT HYD. VALVE	1
32	23.0111-8	.CAP, VALVE	1

# ENGINE

## ILLUSTRATED DRAWING Engine



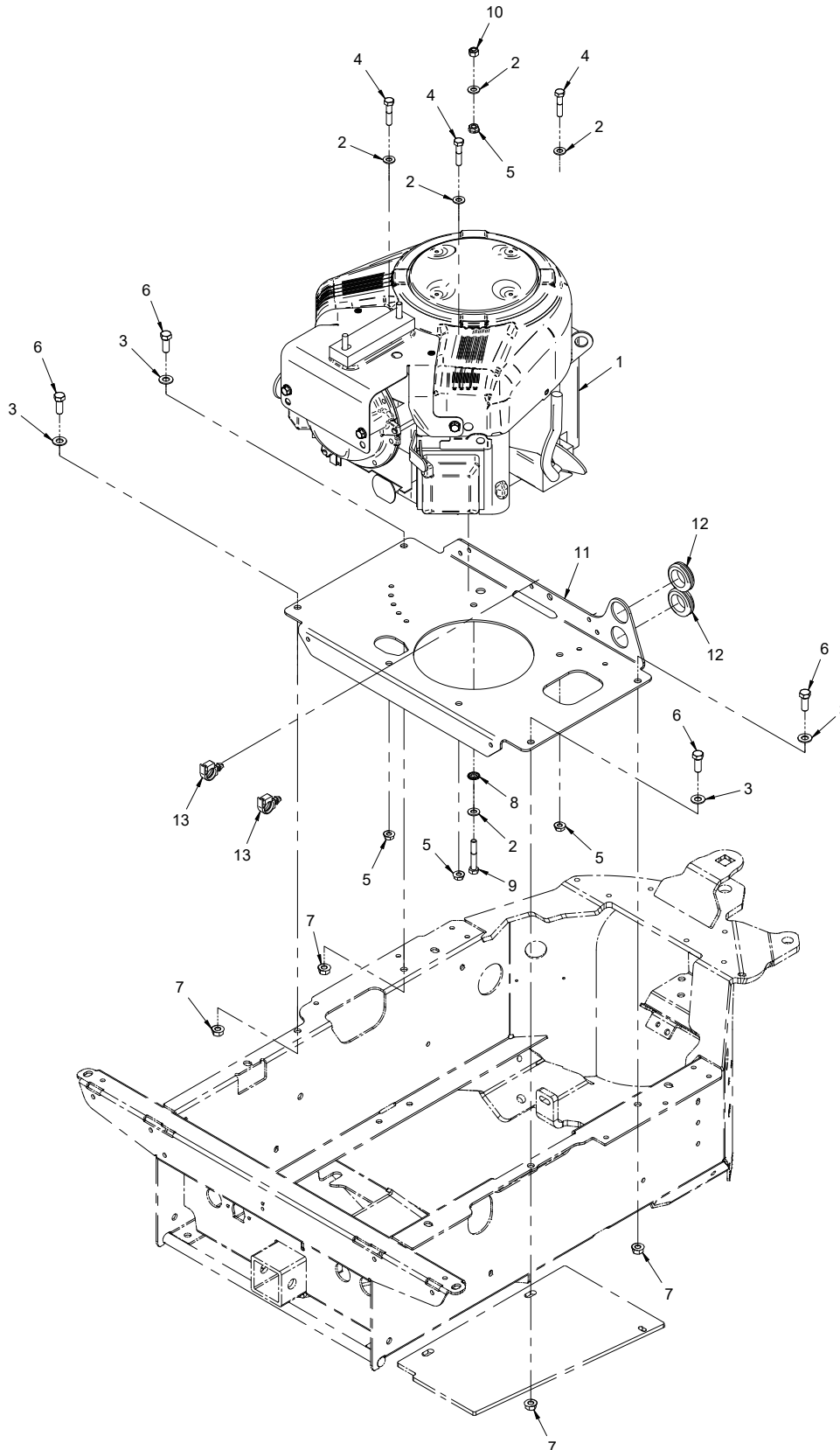
# ENGINE

## Engine

REF.	PART NO.	DESCRIPTION	QTY.
1	99.M0041	.NUT, SRF M8 X 1.25 ZP	2
2	13.0212	.ENGINE, B&S VANG 21 HP GAS AC	1
3	13.842921	.FILTER, ENGINE OIL VANGUARD	1
4	13.808657	.COOLER, OIL	1
5	13.491055S	.PLUG, SPARK	2
6	99.SF0405-1	.BOLT, SMF 1/4-20 X 5/8	2
7	99.SF04	.NUT, SRF 1/4-20 USS	2
8	60.1195	.SHROUD, ENGINE AIR INTAKE	1
9	06.0043-25IN	.TRIM, TRIM SEAL W/BULB X 25"	1
10	06.0043-6IN	.TRIM, TRIM SEAL W/BULB X 6"	1
11	06.0049-27IN	.TRIM, TRIM SEAL W/BULB X 27"	1
12	06.0043-21IN	.TRIM, TRIM SEAL W/BULB X 21"	1
13	06.0043-25IN	.TRIM, TRIM SEAL W/BULB X 25"	1
14	00.0374	.DECAL, HOT SURFACE	1
15	94.08	.WASHER, FLAT 1/2 USS	2
16	25.5502-06-04	.FITTING, 90 MFE 3/8 X 1/4	1
17	25.2700-06-06LN	.FITTING, BULKHEAD 3/8 W/LOCNUT	1
18	25.304-C-06	.FITTING, CAP 3/8 #6 JIC	1
19	22.0043	.HOSE, 3/8X10.00 PLK 250PSI CPE	1

# ENGINE

## ILLUSTRATED DRAWING Engine Mount



# ENGINE

## Engine Mount

REF.	PART NO.	DESCRIPTION	QTY.
1	13.0212	.ENGINE, B&S VANG 21 HP GAS AC	1
2	95.05	.WASHER, FLAT 5/16 SAE	5
3	95.06	.WASHER, FLAT 3/8 SAE	4
4	90.0512	.BOLT, 5/16-18 USS X 1-1/2"	3
5	99.SF05	.NUT, SRF 5/16-18 USS	4
6	90.0608	.BOLT, 3/8-16 USS X 1	4
7	99.SF06	.NUT, SRF 3/8-16 USS	4
8	99.G0003	.WASHER, STAR-EXTERNAL 5/16	1
9	90.0516	.BOLT, 5/16-18 USS X 2"	1
10	99.A05N	.LOCKNUT, NYLON 5/16-18 USS	1
11	64.1765	.MOUNT, ENGINE PLATE	1
12	05.0060	.GROMMET, 1-1/8 ID, 1-3/4 OD	2
13	30.0137	.CLAMP, LOOM 5/8 ROSEBUD MOUNT	2



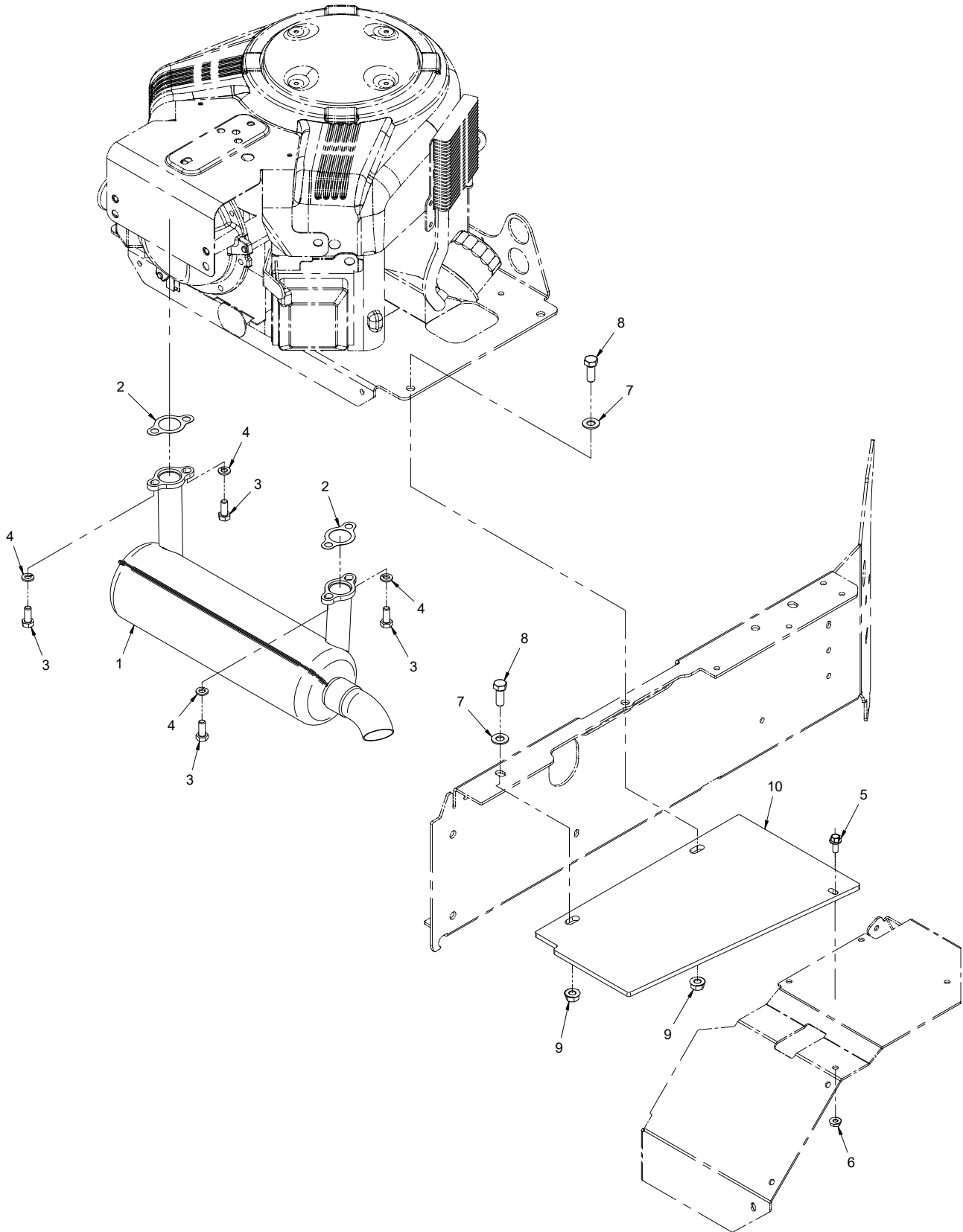
# ENGINE

## Throttle and Choke Controls

REF.	PART NO.	DESCRIPTION	QTY.
1	99.M0042	.BOLT, M5 X 0.8 X 20MM.	2
2	99.K0062	.MACHINE SCREW, #10-32 X 1/2.	1
3	99.E0035	.NUT, SRF #10-32	1
4	45.0052	.CLAMP, 3/16 CABLE CONDUIT	2
5	11.0058	.CLAMP, CUSHIONED 3/8" ROUND	1
6	05.0060	.GROMMET, 1-1/8 ID, 1-3/4 OD	1
7	47.0350	.CABLE, THROTTLE ASM 70"	1
8	47.0350	.CABLE, THROTTLE ASM 70"	1
9	99.0404	.BOLT, 1/4-20 X 1/2 BSCS	4
10	99.SF04	.NUT, SRF 1/4-20 USS.	4
11	47.0352	.KNOB, CHOKE RED.	1
25	47.0363	.KNOB, THROTTLE BLACK	1
26	47.0350-1	.CABLE, PUSH/PULL 70"	1

# ENGINE

## ILLUSTRATED DRAWING Muffler





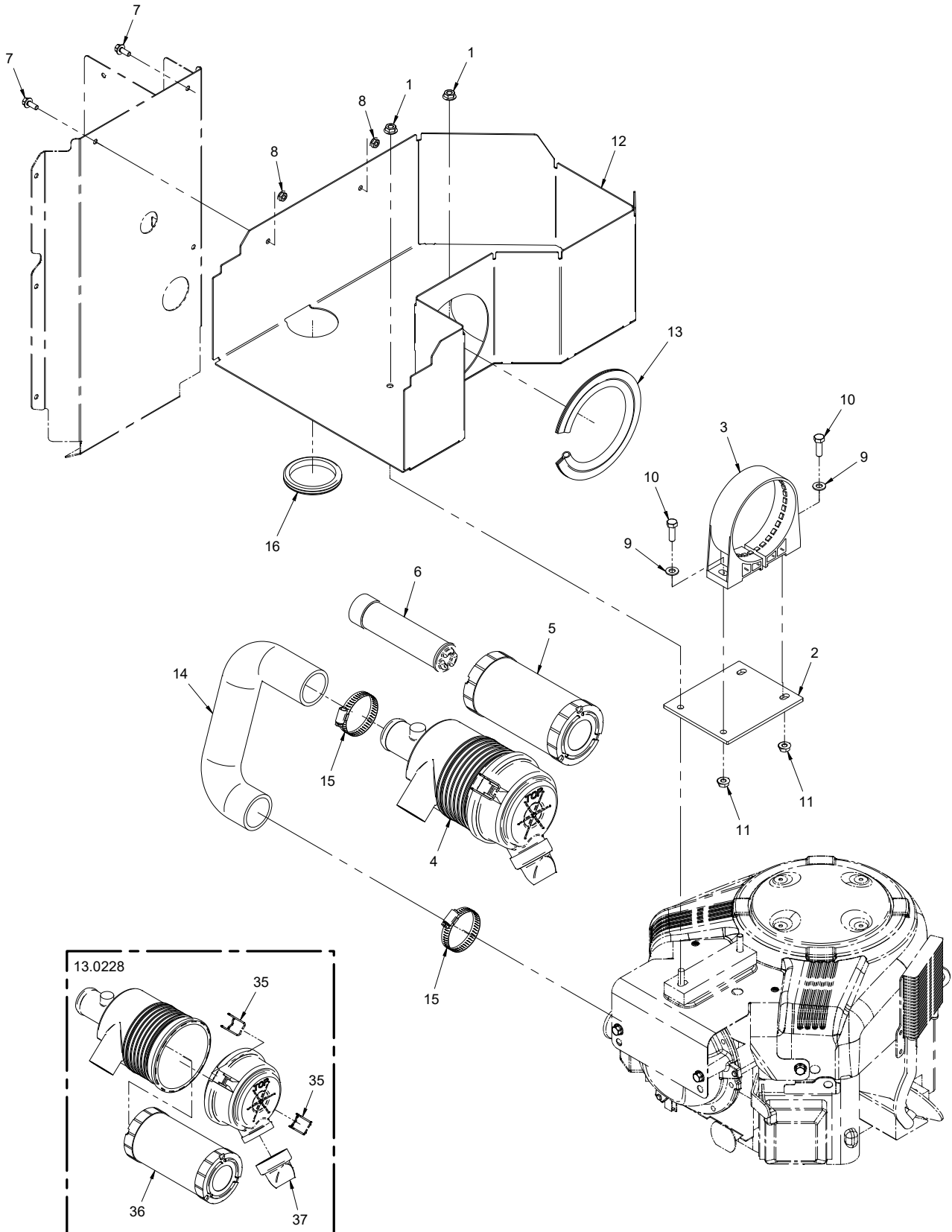
# ENGINE

## Muffler

REF.	PART NO.	DESCRIPTION	QTY.
1	13.0236	.MUFFLER, VANGUARD 21HP	1
2	13.806425	.GASKET, EXHAUST	2
3	99.M0005	.BOLT, M8 X 1.25P X 20MM.	4
4	96.05	.WASHER, LOCK 5/16.	4
5	99.SF0405-1	.BOLT, SMF 1/4-20 X 5/8	1
6	99.SF04	.NUT, SRF 1/4-20 USS.	1
7	95.06	.WASHER, FLAT 3/8 SAE	2
8	90.0608	.BOLT, 3/8-16 USS X 1.	2
9	99.SF06	.NUT, SRF 3/8-16 USS.	2
10	60.1217	.COVER, ENGINE EXHAUST.	1

# ENGINE

## ILLUSTRATED DRAWING Air Intake



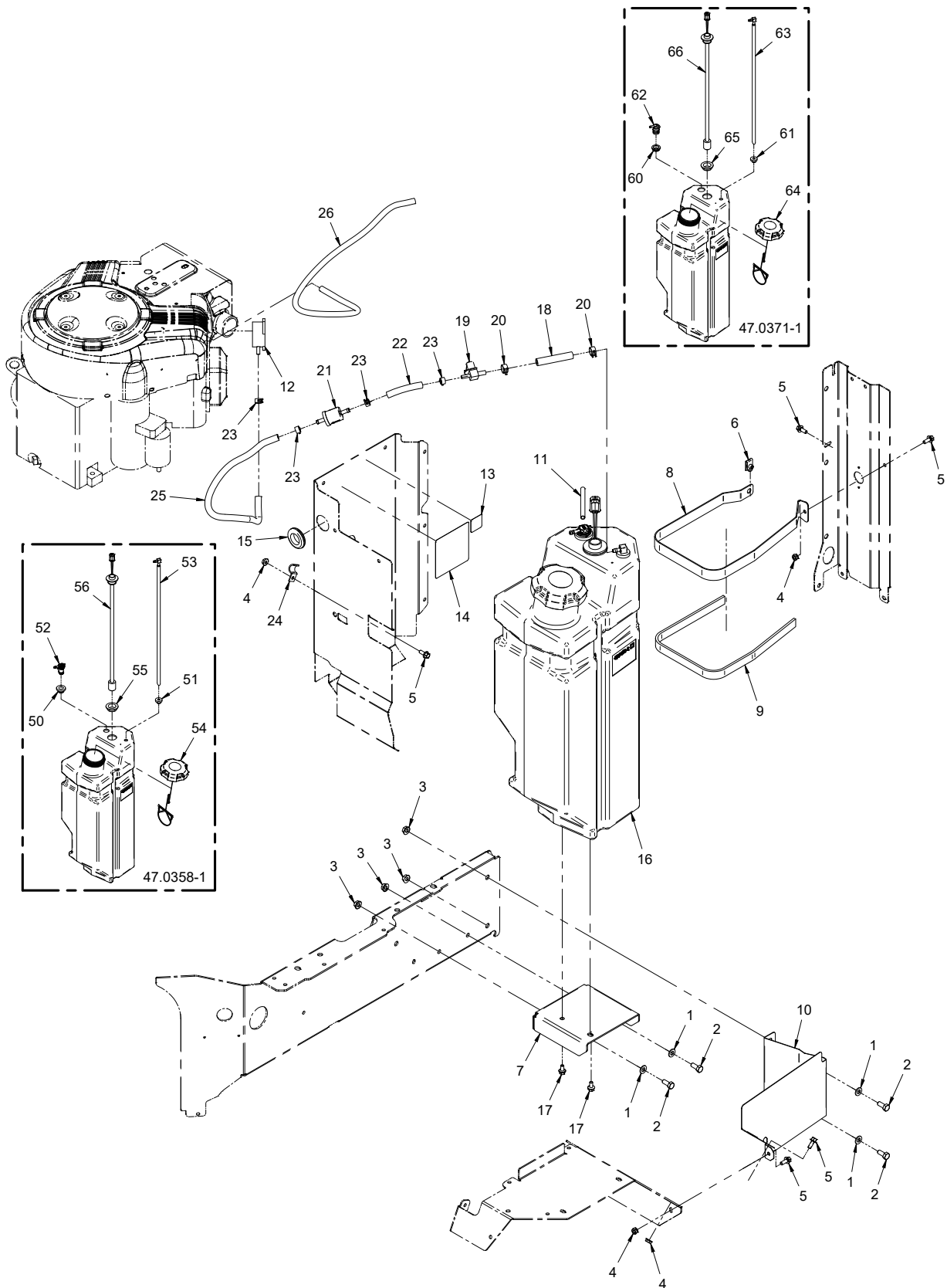
# ENGINE

## Air Intake

REF.	PART NO.	DESCRIPTION	QTY.
1	99.M0041	.NUT, SRF M8 X 1.25 ZP	2
2	64.1802	.BRACKET, AIR CLEANER MOUNT	1
3	13.0219	.CLAMP, AIR FILTER	1
4	13.0228	.AIR CLEANER, COMPLETE ASM.	1
5	13.0226	.FILTER, AIR OUTER ELEMENT	1
6	13.0227	.FILTER, AIR - INNER ELEMENT	1
7	99.SF0405-1	.BOLT, SMF 1/4-20 X 5/8	2
8	99.SF04	.NUT, SRF 1/4-20 USS	2
9	95.05	.WASHER, FLAT 5/16 SAE	2
10	90.0508	.BOLT, 5/16-18 USS X 1"	2
11	99.SF05	.NUT, SRF 5/16-18 USS	2
12	60.1195	.SHROUD, ENGINE AIR INTAKE	1
13	06.0043-15.5IN	.TRIM, TRIM SEAL W/BULB X 15-1/2"	1
14	13.842445	.HOSE, AIR INTAKE	1
15	11.0044	.CLAMP, HOSE S/S 1-9/16- 2-1/2	2
16	05.0148	.GROMMET, 2-1/2ID, 3-1/8OD, 3/8T	1
35	13.538928	.LATCH	2
36	13.0226	.FILTER, AIR OUTER ELEMENT	1
37	13.522958	.VALVE, DRAIN	1

# ENGINE

## ILLUSTRATED DRAWING Fuel System



# ENGINE

## Fuel System

REF.	PART NO.	DESCRIPTION	QTY.
1	95.05	.WASHER, FLAT 5/16 SAE	4
2	90.0506	.BOLT, 5/16-18 USS X 3/4"	4
3	99.SF05	.NUT, SRF 5/16-18 USS	4
4	99.SF04	.NUT, SRF 1/4-20 USS	4
5	99.SF0405-1	.BOLT, SMF 1/4-20 X 5/8	5
6	99.E0046	.NUT, "U" 1/4-20 EXTRUDED	1
7	64.1790	.MOUNT, FUEL TANK BASE	1
8	64.1825	.STRAP, FUEL TANK	1
9	06.0047-27IN	.WEATHERSTRIP, 3/16 X 3/4 X 27"	1
10	60.1242	.COVER, FUEL TANK	1
11	30.0130-4IN	.LOOM, SPLIT CORRUGATED 1/4 X 4"	1
12	13.808656	.PUMP, MECHANICAL	1
13	00.0334	.DECAL, FUEL ON/OFF	1
14	00.0367	.DECAL, GASOLINE ONLY	1
15	05.0044	.GROMMET, 1 ID, 1-3/4OD, 3/8THK	1
16	47.0358-1	.TANK, ASM 3400 GAS (Serial # 01001-02015)	1
16	47.0371-1	.TANK, ASM 3400 GAS (Serial # 02016-)	1
17	99.SF0404-1	.BOLT, SMF 1/4-20 X 1/2	2
18	27.F05-1-3IN.	.HOSE, FUEL LINE 5/16" LOW PERM X 3"	1
19	47.0331	.VALVE, FUEL SHUT-OFF 5/16X1/4	1
20	11.0048	.CLAMP, HOSE BAND 9/16" OD HOSE	2
21	13.691035	.FILTER, FUEL	1
22	27.F04-1-3IN.	.HOSE, FUEL LINE 1/4" LOW PERM X 3"	1
23	11.0049	.CLAMP, HOSE BAND 1/2" OD HOSE	4
24	11.0075	.CLAMP, 1/2 LOOP VINYL	1
25	27.F04-1-18IN.	.HOSE, FUEL LINE 1/4" LOW PERM X 18"	1
26	27.F03-30IN	.HOSE, FUEL LINE 3/16" X 30"	1
50	05.0128	.GROMMET, FUEL TANK VENT VALVE	1
51	05.0133	.GROMMET, TANK FITTING	1
52	29.0094	.VENT, FUEL TANK BREATHER	1
53	29.0099	.FITTING, TANK 5/16 WITHDRAW	1
54	47.0309	.CAP, FUEL 3-1/2" UNVENTED	1
55	05.0134	.GROMMET, FUEL TANK SENDER	1
56	35.0137	.SENDING UNIT, FUEL	1
60	05.0162	.GROMMET, FUEL VENT VALVE	1
61	05.0133	.GROMMET, TANK FITTING	1
62	29.0100	.VALVE, FUEL VENT	1
63	29.0099	.FITTING, TANK 5/16 WITHDRAW	1
64	47.0309	.CAP, FUEL 3-1/2" UNVENTED	1
65	05.0134	.GROMMET, TANK FUEL SENDER	1
66	35.0137	.SENDING UNIT, FUEL	1



# AXLES, WHEELS, & DRIVE SYSTEMS

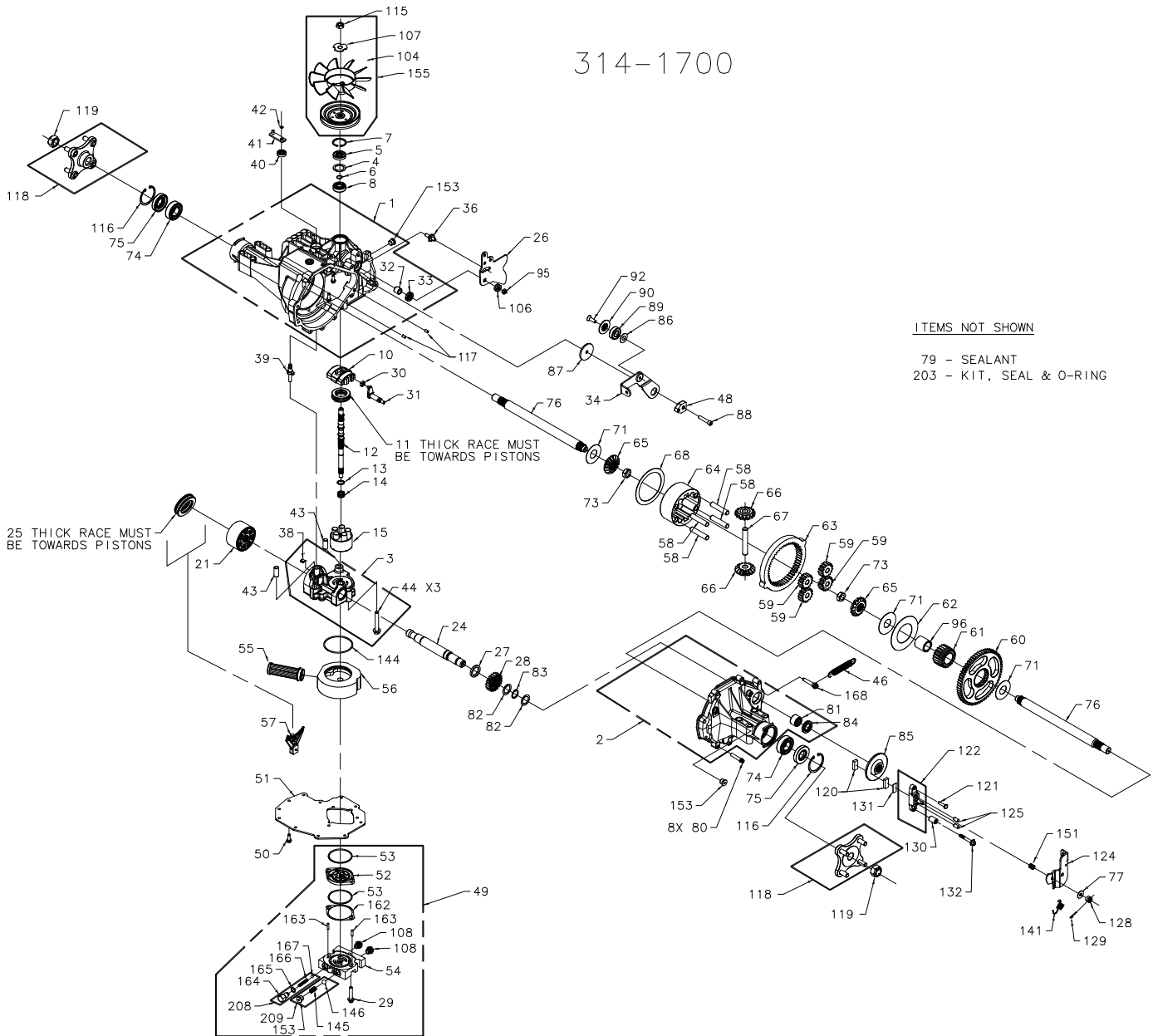
## Front Transaxle Mount & Tires

REF.	PART NO.	DESCRIPTION	QTY.
1	05.0045	.GROMMET, 3/4ID, 1 3/8OD, 1/2THK	1
2	95.06	.WASHER, FLAT 3/8 SAE	8
3	95.05	.WASHER, FLAT 5/16 SAE	4
4	99.SF06	.NUT, SRF 3/8-16 USS	17
5	99.SF0606	.BOLT, SRF 3/8-16 USS X 3/4	13
6	90.0516	.BOLT, 5/16-18 USS X 2"	1
7	99.SF05	.NUT, SRF 5/16-18 USS	5
8	90.0624	.BOLT, 3/8-16 USS X 3	4
9	90.0524	.BOLT, 5/16-18 USS X 3"	4
10	64.1266	.BRACKET, AXLE REAR MOUNT	1
11	51.0061	.TRANSAXLE, FRONT HIGH SPEED	1
12	64.1267	.ANCHOR, FRONT SKID PLATE LEFT	1
13	64.1268	.ANCHOR, FRONT SKID PLATE RIGHT	1
14	62.1409	.FRAME, CONNECTOR ANCHOR	1
15	64.1789	.PLATE, SKID FRONT AXLE	1
16	64.1781	.PLATE, HUB SPACER	2
17	53.0150	.WHEEL, ASM 18X11-10 AT (Serial # 01001-02422)	2
17	53.0176	.WHEEL, ASM 18X11-10 AT (Serial # 02423-)	2
17	53.0153	.WHEEL, ASM 18X10.5-10 TURF (Optional)	2
18	99.E0001	.NUT, LUG 1/2-20 SAE	8
19	42.0569	.LINKAGE, NEUTRAL FRONT AXLE	1
20	95.04	.WASHER, FLAT 1/4 SAE	1
21	02.CP0306	.COTTER PIN, 3/32 X 3/4	1
22	00.0376	.DECAL, NEUTRAL	1
35	53.0151	.RIM, 10 X 8.5 4 BOLT	1
36	53.0152	.TIRE, 18 X 11-10 AT	1
40	53.0151	.RIM, 10 X 8.5 4 BOLT	1
41	53.0154	.TIRE, 18 X 10.5-10 TURF	1
45	53.0177	.RIM, 10 X 7 X 4 BOLT	1
46	53.0152	.TIRE, 18 X 11-10 AT	1

# AXLES, WHEELS, & DRIVE SYSTEMS

## ILLUSTRATED DRAWING 51.0061 Front Transaxle

314-1700





# AXLES, WHEELS, & DRIVE SYSTEMS

## 51.0061 Front Transaxle

REF.	PART NO.	DESCRIPTION	QTY.
4	51.0079	.SPACER, .98 X 1.37 X .04	1
6	04.0038	.RING SET, 59 EXT WIRE	1
12	51.0077	.SHAFT, INPUT AUX	1
13	51.0078	.WASHER, THRUST .59 X .79 X .04	1
38	51.0035	.PLATE, BYPASS	1
41	51.0036	.ARM, BYPASS	1
42	04.0057	.RING, RETAINING 31 EXT	1
44	51.0037	.SCREW, 3/8-24 X 2.5	3
49	51.0054	.KIT, MANIFOLD AUXILIARY	1
51	51.0080	.PLATE, AUX COVER	1
53	26.0022	.O-RING, .103 X 2.425	2
55	51.0057	.FILTER, FRONT TRANSAXLE LT3000	1
56	51.0083	.MANIFOLD, CHARGE	1
74	55.0056	.BEARING, 1" X 52MM X 15MM	2
75	89.0068	.SEAL, LIP 25MM X 52MM X 10MM	2
76	51.0039	.SHAFT, AXLE	2
79	51.0040	.SEALANT	1
80	51.0041	.SCREW, TORX HEAD 5/16-18	8
84	89.0070	.SEAL, LIP .875 X 1.38 X .25	1
85	53.0147	.DISC, BRAKE	1
104	51.0066	.FAN, LH TRANSAXLES	1
118	51.0046	.HUB ASSEMBLY	2
119	99.A12NF	.LOCKNUT, STOVER 3/4-16 SAE	2
120	53.0145	.PAD, BRAKE DISC	2
131	53.0146	.PLATE, BRAKE DISC PAD	1
153	51.0068	.PLUG, 9/16-18 METAL	3
155	51.0067	.KIT, FAN/PULLEY	1
162	51.0052	.SHIM	1
166	51.0081	.SPRING, RELIEF HYDROGEAR	1
203	51.0049	.KIT, SEAL	1
210	51.0061	.TRANSAXLE, FRONT HIGH SPEED	1

Listed items are stocked. Check availability of unlisted parts.



# AXLES, WHEELS, & DRIVE SYSTEMS

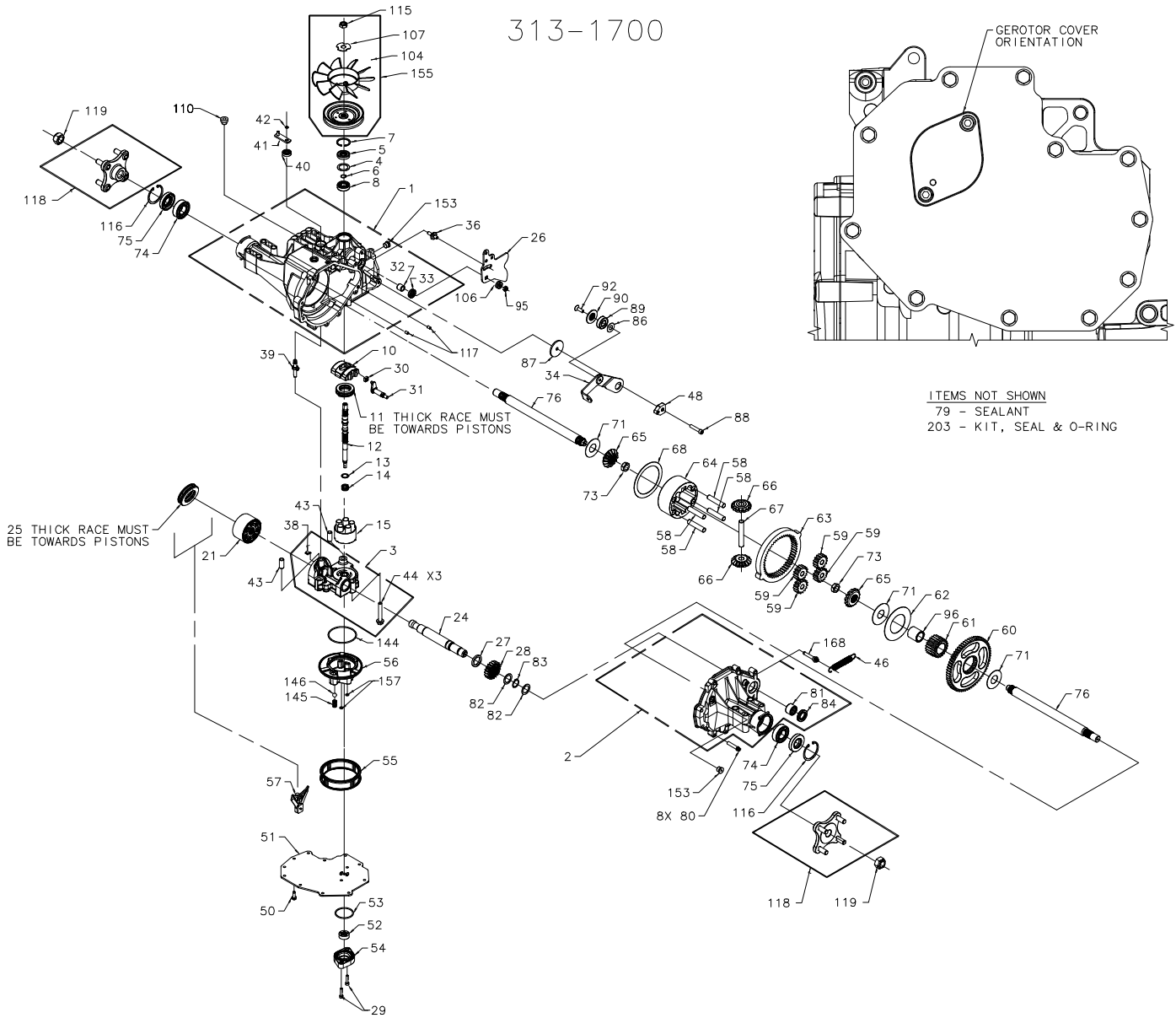
## Rear Transaxle Mount & Tires

REF.	PART NO.	DESCRIPTION	QTY.
1	51.0060	.TRANSAXLE, REAR HIGH SPEED	1
2	64.1805	.BRACE, TRANSAXLE SUPPORT	1
3	99.E0001	.NUT, LUG 1/2-20 SAE	8
4	95.05	.WASHER, FLAT 5/16 SAE	4
5	90.0518	.BOLT, 5/16-18 USS X 2-1/4"	1
6	99.SF05	.NUT, SRF 5/16-18 USS	10
7	64.1781	.PLATE, HUB SPACER	2
8	25.6408-06-SP	.FITTING, PLUG 6MB - DRILLED	1
9	41.0064	.SPRING, EXT. 3/4 X 3-1/2 OA LG	1
10	53.0150	.WHEEL, ASM 18X11-10 AT (Serial # 01001-02422)	2
10	53.0176	.WHEEL, ASM 18X11-10 AT (Serial # 02423-)	2
10	53.0153	.WHEEL, ASM 18X10.5-10 TURF (Optional)	2
11	64.1434	.BRACKET, SPRING RETAINER	1
12	99.0404	.BOLT, 1/4-20 X 1/2 BSCS	1
13	95.04	.WASHER, FLAT 1/4 SAE	5
14	90.0524	.BOLT, 5/16-18 USS X 3"	4
15	90.0510	.BOLT, 5/16-18 USS X 1-1/4"	1
16	95.08	.WASHER, FLAT 1/2 SAE	2
17	90.0810	.BOLT, 1/2-13 USS X 1-1/4	2
18	99.SF08	.NUT, SRF 1/2-13 USS	2
19	02.CP0306	.COTTER PIN, 3/32 X 3/4	1
20	42.0567	.LINKAGE, NEUTRAL REAR AXLE	1
21	64.1757	.BRACE, REAR AXLE RIGHT	1
22	64.1756	.BRACE, REAR AXLE LEFT	1
23	99.SF0506	.BOLT, SRF 5/16-18 USS X 3/4	4
24	64.1767	.PLATE, SKID REAR AXLE	1
25	00.0376	.DECAL, NEUTRAL	1
35	53.0151	.RIM, 10 X 8.5 4 BOLT	1
36	53.0152	.TIRE, 18 X 11-10 AT	1
40	53.0151	.RIM, 10 X 8.5 4 BOLT	1
41	53.0154	.TIRE, 18 X 10.5-10 TURF	1
45	53.0177	.RIM, 10 X 7 X 4 BOLT	1
46	53.0152	.TIRE, 18 X 11-10 AT	1

# AXLES, WHEELS, & DRIVE SYSTEMS

## ILLUSTRATED DRAWING 51.0060 Rear Transaxle

313-1700



# AXLES, WHEELS, & DRIVE SYSTEMS

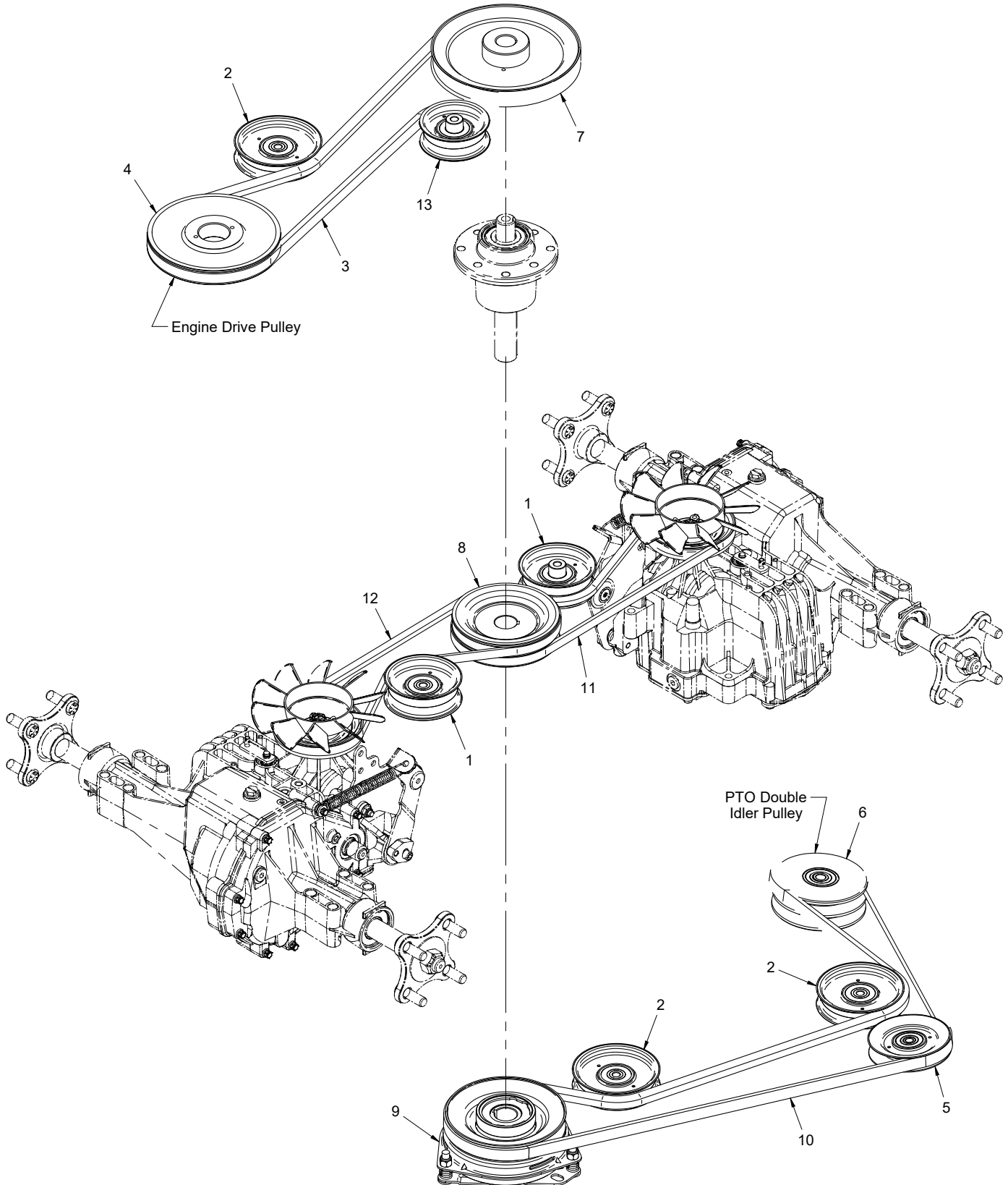
## 51.0060 Rear Transaxle

REF.	PART NO.	DESCRIPTION	QTY.
4	51.0079	.SPACER, .98 X 1.37 X .04	1
6	04.0038	.RING SET, 59 EXT WIRE	1
12	51.0076	.SHAFT, INPUT	1
13	51.0078	.WASHER, THRUST .59 X .79 X .04	1
24	51.0034	.SHAFT, MOTOR	1
38	51.0035	.PLATE, BYPASS	1
41	51.0036	.ARM, BYPASS	1
42	04.0057	.RING, RETAINING 31 EXT	1
44	51.0037	.SCREW, 3/8-24 X 2.5	3
55	51.0038	.FILTER, REAR TRANSAXLE LT3000	1
74	55.0056	.BEARING, 1" X 52MM X 15MM	2
75	89.0068	.SEAL, LIP 25MM X 52MM X 10MM	2
76	51.0039	.SHAFT, AXLE	2
79	51.0040	.SEALANT	1
80	51.0041	.SCREW, TORX HEAD 5/16-18	8
84	89.0070	.SEAL, LIP .875 X 1.38 X .25	1
104	51.0066	.FAN, LH TRANSAXLES	1
110	25.6408-06-SP	.FITTING, PLUG 6MB - DRILLED	1
118	51.0046	.HUB ASSEMBLY	2
119	99.A12NF	.LOCKNUT, STOVER 3/4-16 SAE	2
153	51.0068	.PLUG, 9/16-18 METAL	2
155	51.0067	.KIT, FAN/PULLEY	1
203	51.0049	.KIT, SEAL	1
210	51.0060	.TRANSAXLE, REAR HIGH SPEED	1

Listed items are stocked. Check availability of unlisted parts.

# AXLES, WHEELS, & DRIVE SYSTEMS

## ILLUSTRATED DRAWING Belt & Pulley Diagram



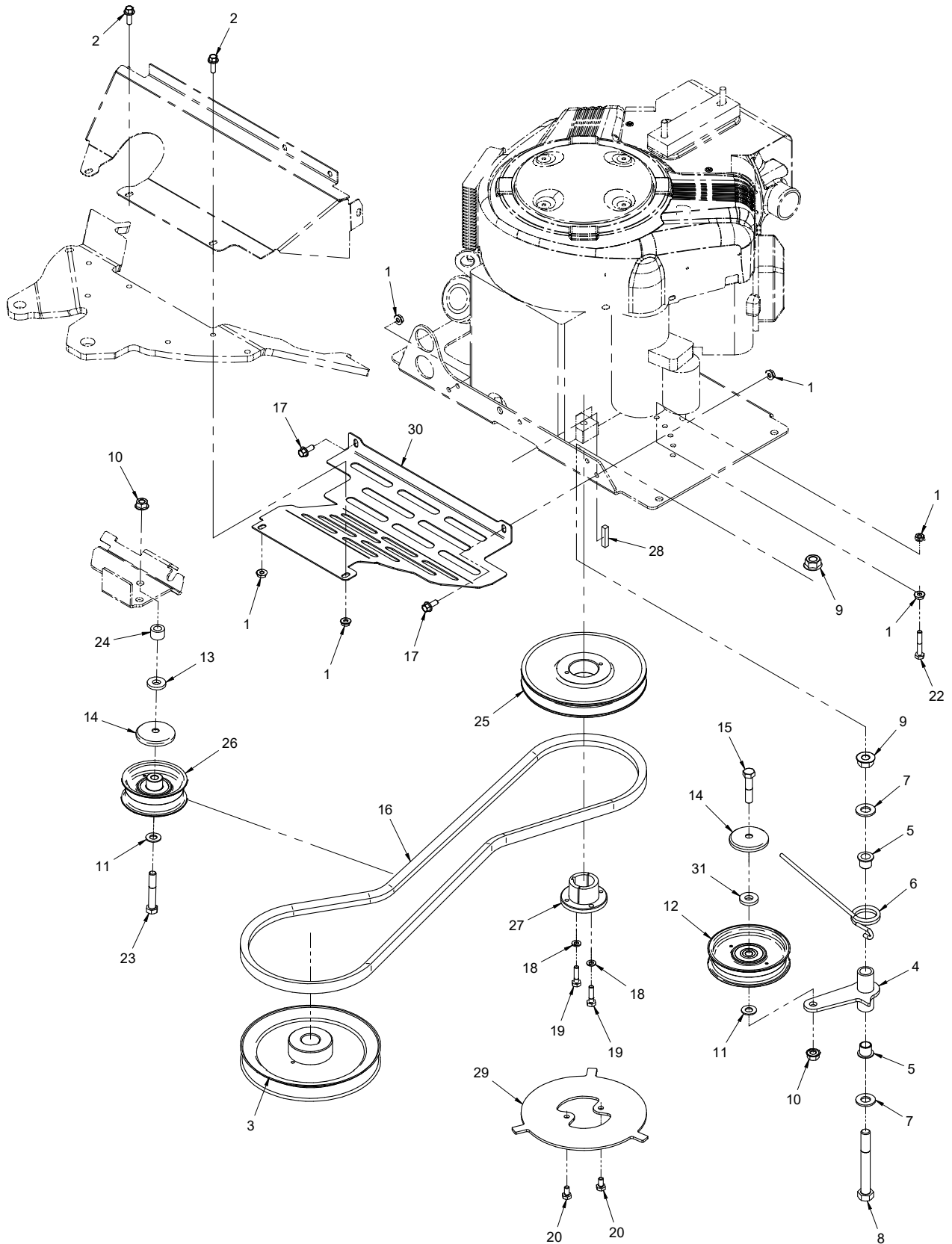
# AXLES, WHEELS, & DRIVE SYSTEMS

## Belt & Pulley Diagram

REF.	PART NO.	DESCRIPTION	QTY.
1	83.0013	.PULLEY, IDLER FLAT 3/8 X 3 1/2	2
2	83.0037	.PULLEY, IDLER FLAT 4" X 3/8	3
3	81.0156	.BELT, B64.5 CUSTOM	1
4	83.BK70H	.PULLEY, 7" H-BUSHING	1
5	83.0038	.PULLEY, V-IDLER 4-1/4 X 3/8 ID	1
6	83.0039	.PULLEY, IDLER 2 GROOVE ASM.	1
7	83.0052	.PULLEY,7-1/2, 25MM STR. BORE (Serial # 01001-02071)	1
7	83.0065	.PULLEY, 7-1/2, 25MM STR BORE (Serial # 02072-)	1
8	83.0067	.PULLEY, LH CENTER STACK	1
9	37.0061	.CLUTCH, ELECTRIC OGURA GT2.5	1
10	81.B089	.BELT, B89	1
11	81.A041	.BELT, A41	1
12	81.A041	.BELT, A41	1
13	83.0016	.PULLEY, IDLER FLAT 3/8 X 3 1/8	1

# AXLES, WHEELS, & DRIVE SYSTEMS

## ILLUSTRATED DRAWING Main Drive From Engine





# AXLES, WHEELS, & DRIVE SYSTEMS

## Main Drive From Engine

REF.	PART NO.	DESCRIPTION	QTY.
1	99.SF04	.NUT, SRF 1/4-20 USS.	6
2	99.SF0406-1	.BOLT, SMF 1/4-20 X 3/4	2
3	83.0052	.PULLEY,7-1/2, 25MM STR. BORE (Serial # 01001-02071).	1
3	83.0065	.PULLEY, 7-1/2, 25MM STR BORE (Serial # 02072-).	1
4	40.0347	.ARM, MAIN DRIVE BELT IDLER.	1
5	85.B0027	.BUSHING, 1/2 ID X 5/8 OD X 5/8.	2
6	41.0084	.SPRING, TORSION LH 1-3/16 IDX7	1
7	95.08	.WASHER, FLAT 1/2 SAE	2
8	90.0832	.BOLT, 1/2-13 USS X 4.	1
9	99.SF08	.NUT, SRF 1/2-13 USS.	2
10	99.SF06	.NUT, SRF 3/8-16 USS.	2
11	95.06	.WASHER, FLAT 3/8 SAE	2
12	83.0037	.PULLEY, IDLER FLAT 4" X 3/8.	1
13	99.G0014	.WASHER, 3/8 USS FW .165 THK	1
14	60.1056	.COVER, PULLEY	2
15	90.0614	.BOLT, 3/8-16 USS X 1-3/4.	1
16	81.0156	.BELT, B64.5 CUSTOM	1
17	99.SF0405-1	.BOLT, SMF 1/4-20 X 5/8	2
18	96.04	.WASHER, LOCK 1/4.	2
19	90.0408	.BOLT, 1/4-20 USS X 1"	2
20	90.0404	.BOLT, 1/4-20 USS X 1/2"	2
22	90.0412	.BOLT, 1/4-20 USS X 1-1/2"	1
23	90.0618	.BOLT, 3/8-16 USS X 2-1/4.	1
24	64.0892	.SPACER, 7/16X 3/4X 1/2L	1
25	83.BK70H	.PULLEY, 7" H-BUSHING	1
26	83.0016	.PULLEY, IDLER FLAT 3/8 X 3 1/8	1
27	83.H18	.BUSHING, 1 1/8" H	1
28	85.K0410	.KEY, 1/4 X 1-1/4.	1
29	64.1803	.PLATE, ENGINE RPM INDICATOR	1
30	60.1207	.COVER, ENGINE DRIVE BELT.	1
31	99.G0014	.WASHER, 3/8 USS FW .165 THK (Serial # 01001-02105)	1



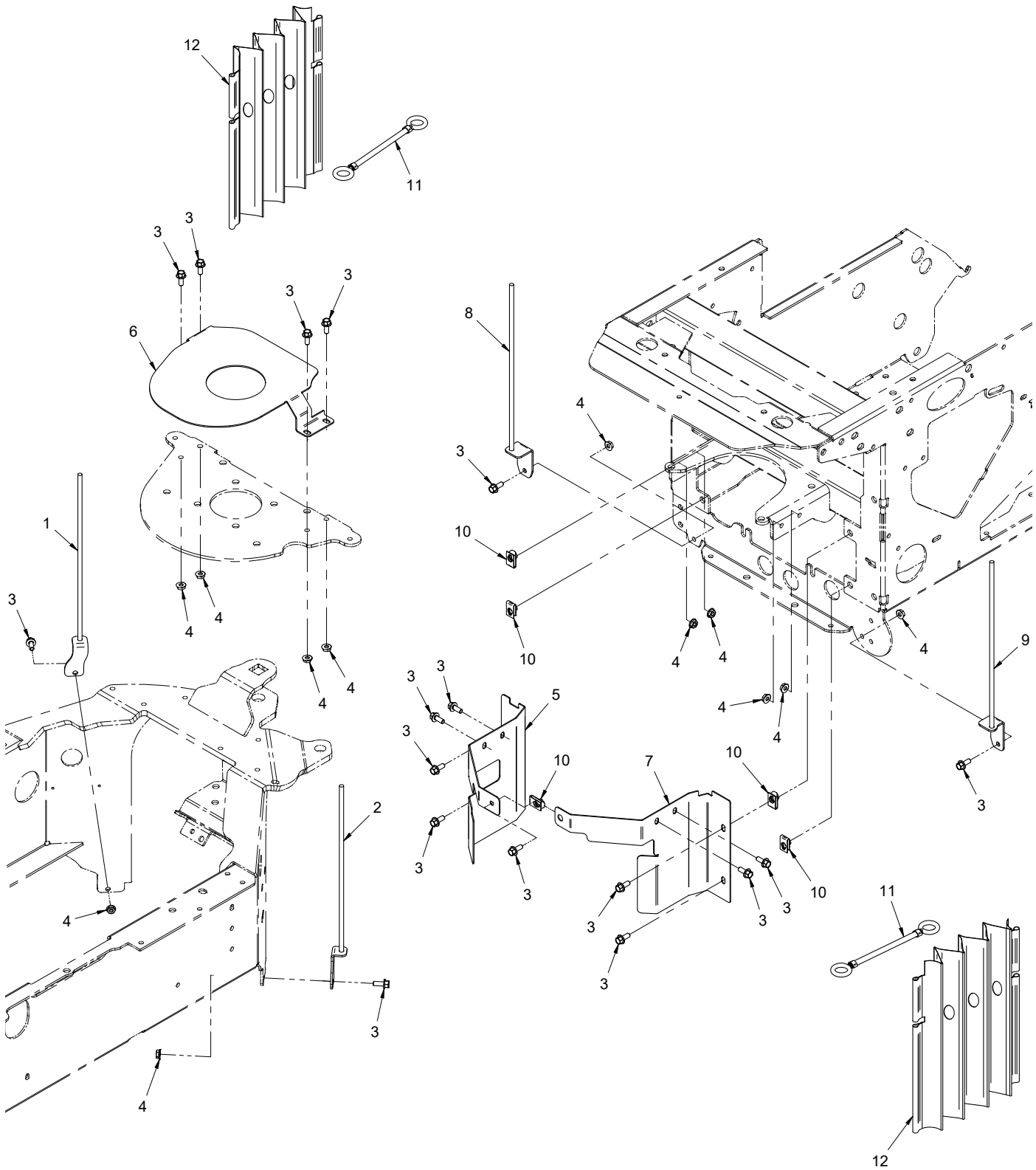
# AXLES, WHEELS, & DRIVE SYSTEMS

## Center Drive Shaft & Clutch

REF.	PART NO.	DESCRIPTION	QTY.
1	05.0044	.GROMMET, 1 ID, 1-3/4OD, 3/8THK	1
2	83.0052	.PULLEY,7-1/2, 25MM STR. BORE (Serial # 01001-02071)	1
2	83.0065	.PULLEY, 7-1/2, 25MM STR BORE (Serial # 02072-)	1
3	64.1766	.MOUNT, CENTER SPINDLE	1
4	83.0067	.PULLEY, LH CENTER STACK	1
5	87.0218	.SPINDLE, ASM LE CENTER SHAFT	1
6	99.B0059	.WASHER, MACH 1 1/8 X 10 GA	5
7	85.K0410	.KEY, 1/4 X 1-1/4	1
8	85.K0408	.KEY, 1/4 X 1	3
9	99.B0013	.WASHER, MACH 1" ID 14 GA	1
10	37.0061	.CLUTCH, ELECTRIC OGURA GT2.5	1
11	60.1204	.COVER, PTO CLUTCH BEARING	1
12	90.0608	.BOLT, 3/8-16 USS X 1	4
13	99.SF06	.NUT, SRF 3/8-16 USS	8
14	95.06	.WASHER, FLAT 3/8 SAE	4
15	90.0610	.BOLT, 3/8-16 USS X 1-1/4	4
16	99.B0064	.WASHER, 1/4 X 1.75 X .531 HOLE	2
17	91.0812	.BOLT, 1/2-20 SAE X 1-1/2	1
18	91.0808	.BOLT, 1/2-20 SAE X 1	1
19	05.0118	.BUMPER, RUBBER CYLINDRICAL	2
20	95.05	.WASHER, FLAT 5/16 SAE	2
21	90.0504	.BOLT, 5/16-18 USS X 1/2"	2
35	87.0209-1	.SPINDLE, HOUSING	1
36	55.0057	.BEARING, BALL 25 MM X 62 MM	1
37	55.0070	.BEARING, 30MM X 62MM X 16MM	1
38	87.0218-2	.SHAFT, LE CENTER SPINDLE	1
39	29.GF0017	.FITTING, RELIEF	1

# AXLES, WHEELS, & DRIVE SYSTEMS

## ILLUSTRATED DRAWING Center Drive Shaft Shields



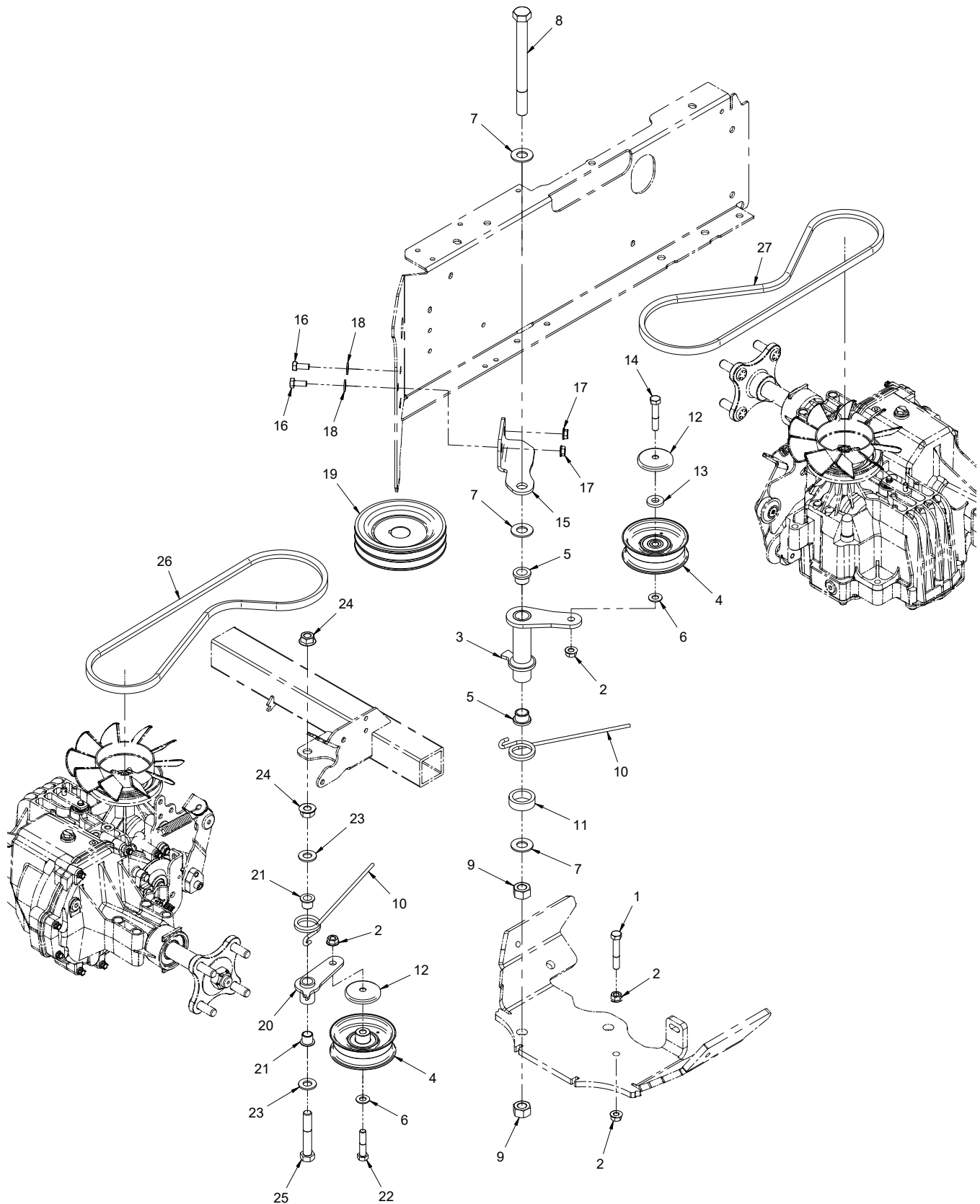
# AXLES, WHEELS, & DRIVE SYSTEMS

## Center Drive Shaft Shields

REF.	PART NO.	DESCRIPTION	QTY.
1	64.1809	.PIN, CANVAS REAR LEFT	1
2	64.1814	.PIN, CANVAS REAR RIGHT	1
3	99.SF0405-1	.BOLT, SMF 1/4-20 X 5/8	17
4	99.SF04	.NUT, SRF 1/4-20 USS.	12
5	60.1213	.GUARD, CENTER PIVOT LEFT	1
6	60.1215	.GUARD, CENTER PIVOT TOP	1
7	60.1214	.GUARD, CENTER PIVOT RIGHT	1
8	64.1807	.PIN, CANVAS FRONT LEFT	1
9	64.1808	.PIN, CANVAS FRONT RIGHT	1
10	99.E0046	.NUT, "U" 1/4-20 EXTRUDED	5
11	47.0448	.STRAP, BUNGEE	2
12	44.0332	.CANVAS, CENTER PIVOT	2

# AXLES, WHEELS, & DRIVE SYSTEMS

## ILLUSTRATED DRAWING Transaxle Drive



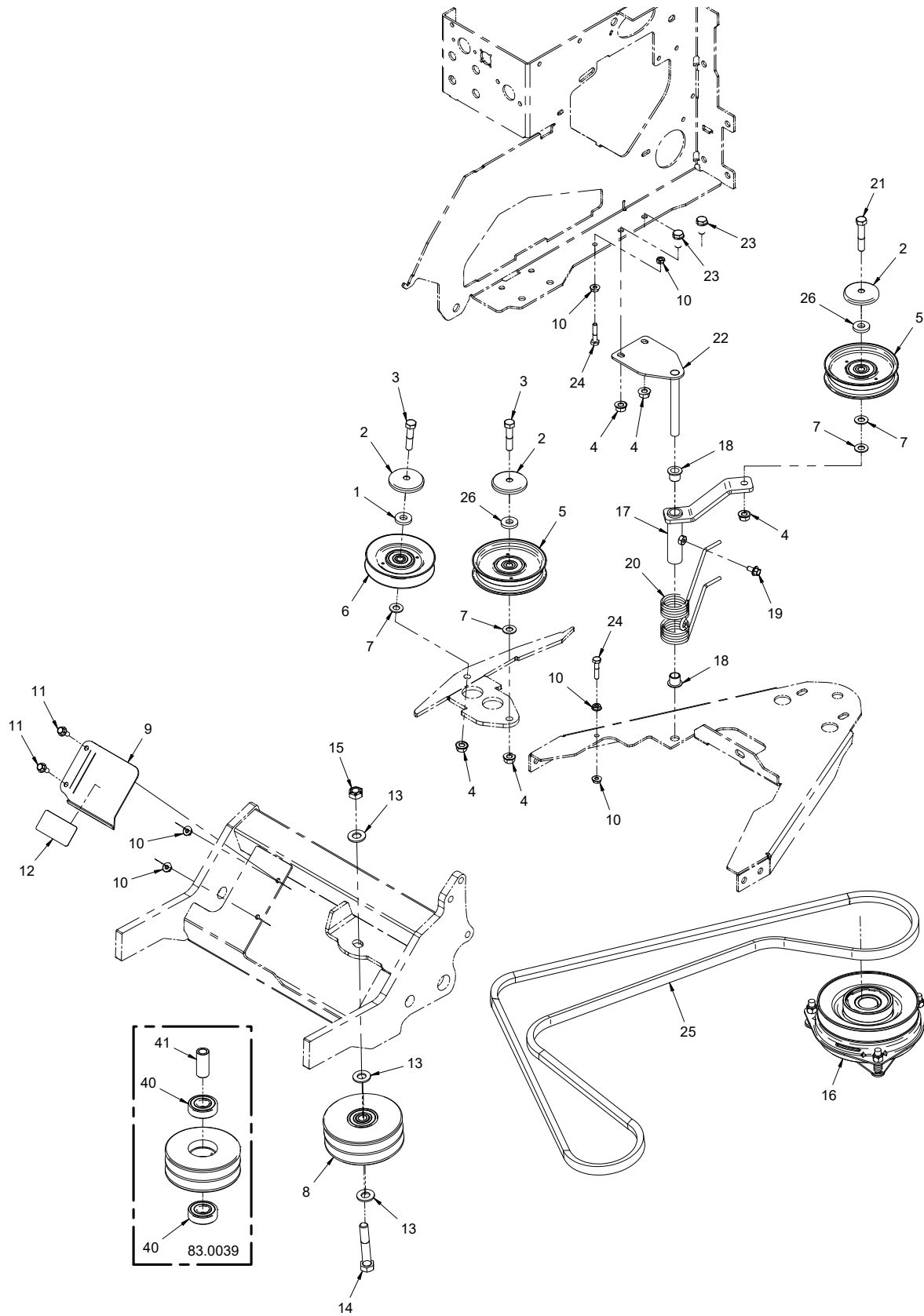
# AXLES, WHEELS, & DRIVE SYSTEMS

## Transaxle Drive

REF.	PART NO.	DESCRIPTION	QTY.
1	90.0618	.BOLT, 3/8-16 USS X 2-1/4	1
2	99.SF06	.NUT, SRF 3/8-16 USS	4
3	40.0395	.IDLER ARM, TRANSAXLE REAR	1
4	83.0013	.PULLEY, IDLER FLAT 3/8 X 3 1/2	2
5	85.B0065	.BUSHING, 5/8ID X 13/16OD X5/8L	2
6	95.06	.WASHER, FLAT 3/8 SAE	2
7	95.10	.WASHER, FLAT 5/8 SAE	3
8	90.1056	.BOLT, 5/8-11 USS X 7	1
9	92.10	.NUT, 5/8-11 USS	2
10	41.0083	.SPRING, TORSION RH 1-3/16 IDX7	2
11	64.1806	.BUSHING, TORSION SPRING	1
12	60.1056	.COVER, PULLEY	2
13	99.G0014	.WASHER, 3/8 USS FW .165 THK (Serial # 01001-02184)	1
14	90.0616	.BOLT, 3/8-16 USS X 2	1
15	64.1826	.SUPPORT, REAR DRIVE IDLER	1
16	90.0506	.BOLT, 5/16-18 USS X 3/4"	2
17	99.SF05	.NUT, SRF 5/16-18 USS	2
18	95.05	.WASHER, FLAT 5/16 SAE	2
19	83.0067	.PULLEY, LH CENTER STACK	1
20	40.0356	.ARM, DRIVE BLT FT AXLE IDLER	1
21	85.B0027	.BUSHING, 1/2 ID X 5/8 OD X 5/8	2
22	90.0614	.BOLT, 3/8-16 USS X 1-3/4	1
23	95.08	.WASHER, FLAT 1/2 SAE	2
24	99.SF08	.NUT, SRF 1/2-13 USS	2
25	90.0824	.BOLT, 1/2-13 USS X 3	1
26	81.A041	.BELT, A41	1
27	81.A041	.BELT, A41	1

# AXLES, WHEELS, & DRIVE SYSTEMS

## ILLUSTRATED DRAWING PTO Drive





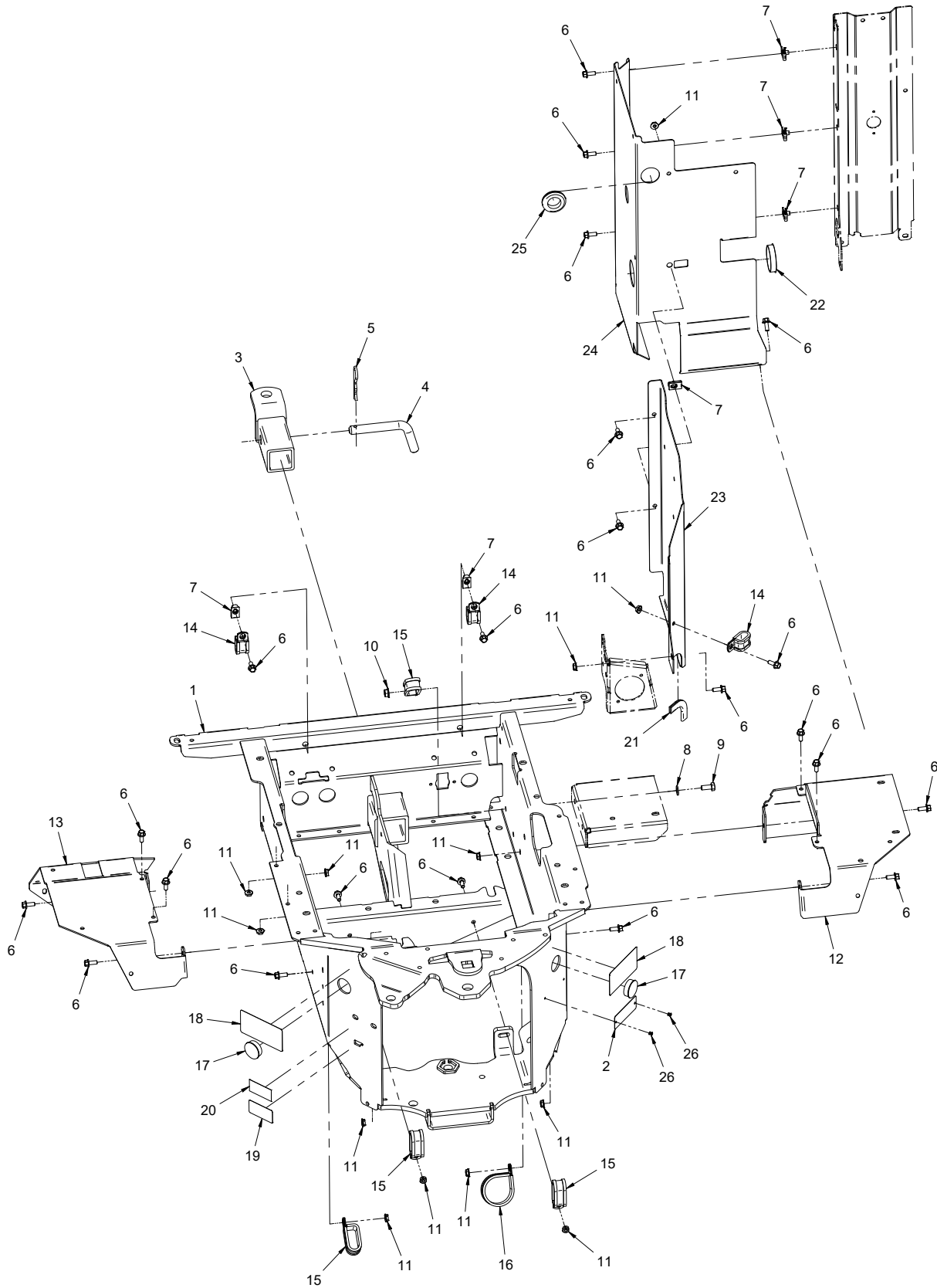
# AXLES, WHEELS, & DRIVE SYSTEMS

## PTO Drive

REF.	PART NO.	DESCRIPTION	QTY.
1	99.G0014	.WASHER, 3/8 USS FW .165 THK (Serial # 01001-02141)	1
2	60.1056	.COVER, PULLEY	3
3	90.0614	.BOLT, 3/8-16 USS X 1-3/4	2
4	99.SF06	.NUT, SRF 3/8-16 USS	5
5	83.0037	.PULLEY, IDLER FLAT 4" X 3/8	2
6	83.0038	.PULLEY, V-IDLER 4-1/4 X 3/8 ID	1
7	95.06	.WASHER, FLAT 3/8 SAE	4
8	83.0039	.PULLEY, IDLER 2 GROOVE ASM	1
9	60.0973	.SHIELD, FRONT DOUBLE IDLER BELT	1
10	99.SF04	.NUT, SRF 1/4-20 USS	6
11	99.SF0405-1	.BOLT, SMF 1/4-20 X 5/8	2
12	00.0365	.DECAL, WARNING MOVING PARTS	1
13	95.08	.WASHER, FLAT 1/2 SAE	3
14	90.0824	.BOLT, 1/2-13 USS X 3	1
15	99.A08	.LOCKNUT, STOVER 1/2-13 USS	1
16	37.0061	.CLUTCH, ELECTRIC OGURA GT2.5	1
17	40.0394	.ARM, PTO BELT IDLER	1
18	85.B0027	.BUSHING, 1/2 ID X 5/8 OD X 5/8	2
19	99.SF0404	.BOLT, SRF 1/4-20 X 1/2	1
20	41.0065	.SPRING, DOUBLE TORSION BLACK	1
21	90.0616	.BOLT, 3/8-16 USS X 2	1
22	64.0820	.ANCHOR, PLATE PTO IDLER	1
23	99.SF0606	.BOLT, SRF 3/8-16 USS X 3/4	2
24	90.0410	.BOLT, 1/4-20 USS X 1/1-4"	2
25	81.B089	.BELT, B89	1
26	99.G0014	.WASHER, 3/8 USS FW .165 THK (Serial # 01001-02105)	2
40	55.0042	.BEARING, BALL 20 MM X 47 MM	2
41	85.B0074	.BUSHING, DRIVE PULLEY	1

# FRAMES / SHEET METAL

## ILLUSTRATED DRAWING Rear Frame, Fenders, and Engine Side Panels



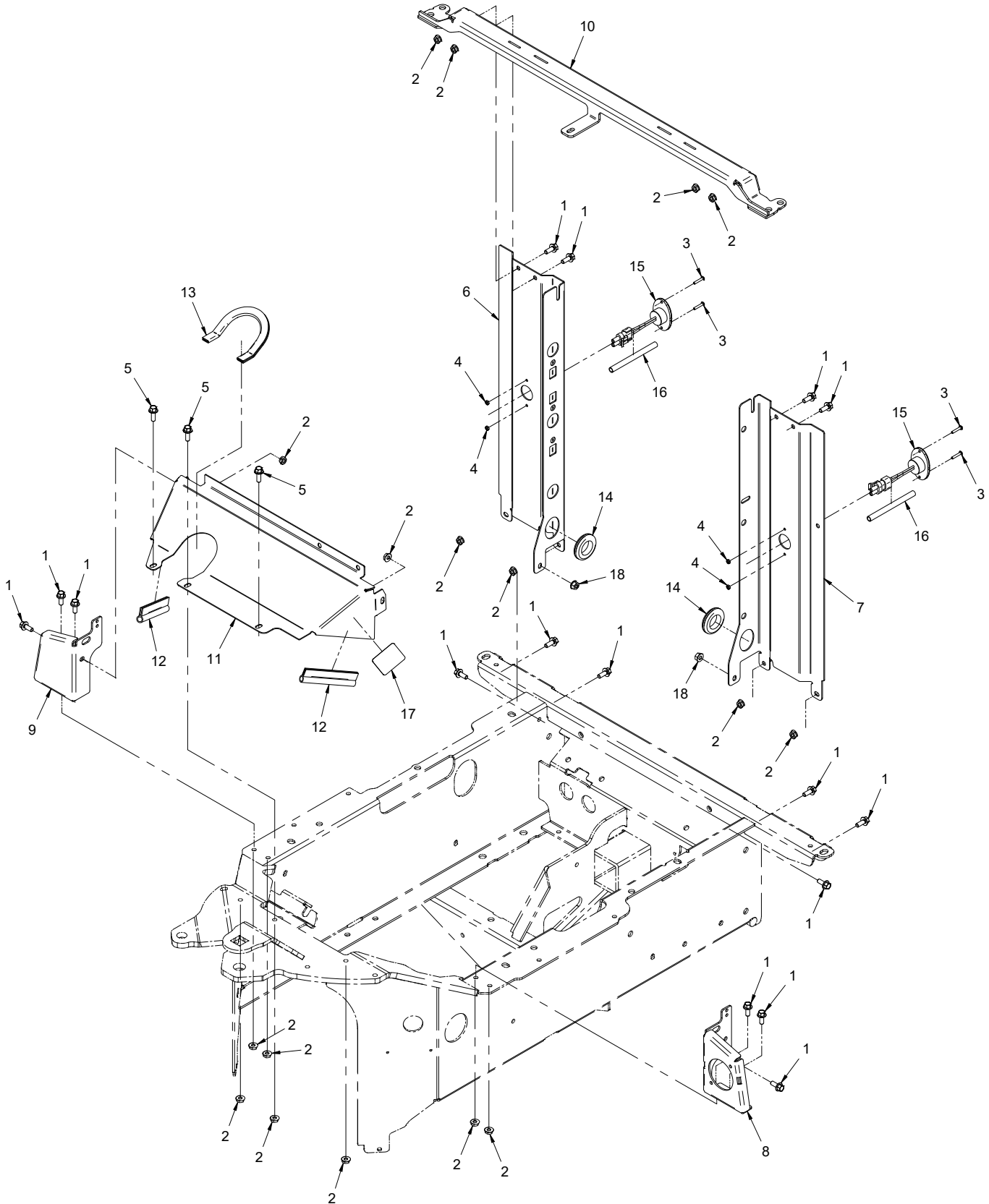
# FRAMES / SHEET METAL

## Rear Frame, Fenders, and Engine Side Panels

REF.	PART NO.	DESCRIPTION	QTY.
1	62.1402	.FRAME, REAR 3400	1
2	N/A	.PLATE, VENTRAC SERIAL NUMBER	1
3	62.0968	.HITCH, REAR	1
4	03.0014	.PIN, HITCH 5/8" X 3" USABLE	1
5	02.HP0524	.HAIRPIN, 5/32 X 3"	1
6	99.SF0405-1	.BOLT, SMF 1/4-20 X 5/8	22
7	99.E0046	.NUT, "U" 1/4-20 EXTRUDED	6
8	95.05	.WASHER, FLAT 5/16 SAE	1
9	90.0506	.BOLT, 5/16-18 USS X 3/4"	1
10	99.SF05	.NUT, SRF 5/16-18 USS	1
11	99.SF04	.NUT, SRF 1/4-20 USS	16
12	60.1189	.FENDER, REAR LEFT	1
13	60.1188	.FENDER, REAR RIGHT	1
14	11.0046	.CLAMP, CUSHIONED METAL 1/2"	3
15	11.0071	.CLAMP, CUSHIONED METAL 3/4"	4
16	11.0065	.CLAMP, CUSHIONED METAL 2"	1
17	05.0091	.PLUG, 1-1/4" HOLE, BLK PLASTIC	2
18	00.0369	.DECAL, DO NOT REMOVE SHIELDS	2
19	00.0376	.DECAL, NEUTRAL	1
20	00.0100	.DECAL, MADE IN USA	1
21	06.0042-3.5IN	.TRIM, TRIM LOC 1/2 X 1/16 X 3-1/2"	1
22	05.0058	.PLUG, 2" HOLE, NYLON	1
23	60.1211	.PANEL, BATTERY CHAMBER 3400L	1
24	60.1212	.PANEL, TANK SURROUND 3400L	1
25	05.0044	.GROMMET, 1 ID, 1-3/4OD, 3/8THK	1
26	04.0007	.RIVET, POP DOME 1/8 X 1/8 S.S.	2

# FRAMES / SHEET METAL

## ILLUSTRATED DRAWING Hood Base Mount & Support Panels



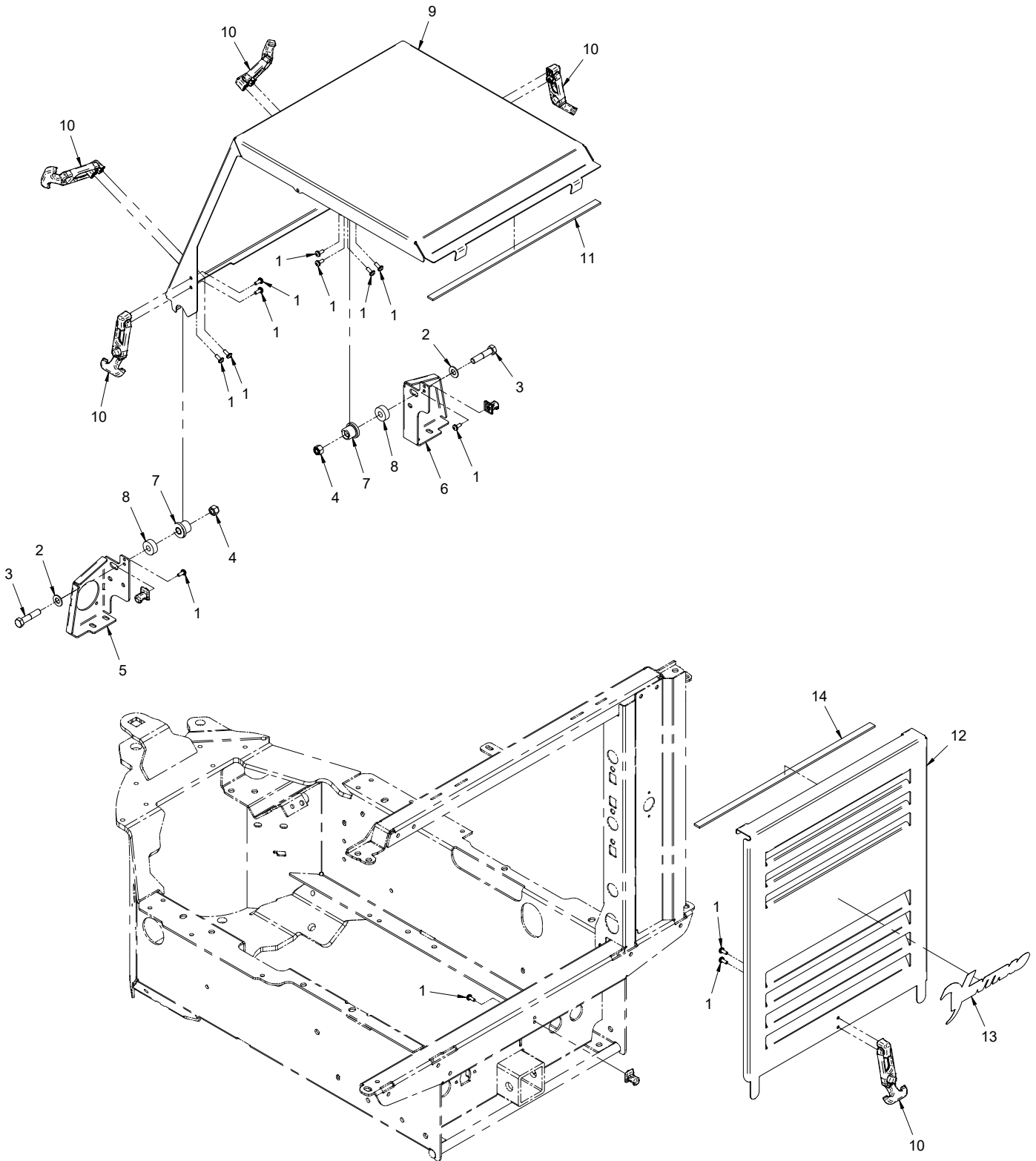
# FRAMES / SHEET METAL

## Hood Base Mount & Support Panels

REF.	PART NO.	DESCRIPTION	QTY.
1	99.SF0405-1	.BOLT, SMF 1/4-20 X 5/8	16
2	99.SF04	.NUT, SRF 1/4-20 USS.	17
3	99.K0060	.MACHINE SCREW, #6-32 X 3/4.	4
4	99.E0085	.LOCKNUT, NYLON #6-32.	4
5	99.SF0406-1	.BOLT, SMF 1/4-20 X 3/4	3
6	64.1760	.SUPPORT, REAR RIGHT.	1
7	64.1761	.SUPPORT, REAR LEFT.	1
8	64.1787	.MOUNT, HOOD BASE LEFT.	1
9	64.1788	.MOUNT, HOOD BASE RIGHT.	1
10	64.1762	.SUPPORT, REAR TOP.	1
11	60.1216	.COVER, HOOD FRONT.	1
12	06.0043-4IN	.TRIM, TRIM SEAL W/BULB X 4"	2
13	06.0042-7.75IN	.TRIM, TRIM LOC 1/2 X 1/16 X 7-3/4"	1
14	05.0044	.GROMMET, 1 ID, 1-3/4OD, 3/8THK.	2
15	33.0061	.LIGHT, MARKER RED OVAL.	2
16	30.0130-8IN	.LOOM, SPLIT CORRUGATED 1/4 X 8"	2
17	00.0373	.DECAL, BATTERY DISCONNECT	1
18	99.E0101	.NUT, LOCKING FLANGE 1/4-20	2

# FRAMES / SHEET METAL

## ILLUSTRATED DRAWING Top & Rear Hood Panels



# FRAMES / SHEET METAL

## Top & Rear Hood Panels

REF.	PART NO.	DESCRIPTION	QTY.
1	99.K0072	.MACHINE SCREW, 10-24 X 1/2 ZP	13
2	95.06	.WASHER, FLAT 3/8 SAE	2
3	90.0614	.BOLT, 3/8-16 USS X 1-3/4	2
4	99.A06N	.LOCKNUT, NYLON 3/8-16	2
5	64.1787	.MOUNT, HOOD BASE LEFT	1
6	64.1788	.MOUNT, HOOD BASE RIGHT	1
7	05.0150	.ISOLATOR, CENTER MOUNT	2
8	64.1821	.SPACER, 3/8 ID X 1" OD X 3/8T	2
9	60.1192	.PANEL, HOOD TOP	1
10	47.0127	.LATCH, RUBBER DRAW T-HANDLE	5
11	06.0078-16IN	.WEATHERSTRIP, 1/8 X 1/2 EPDM X 16"	1
12	60.1206	.PANEL, REAR	1
13	00.0383	.DECAL, VENTRAC	1
14	06.0078-16.75IN	.WEATHERSTRIP, 1/8 X 1/2 EPDM X 16-3/4"	1





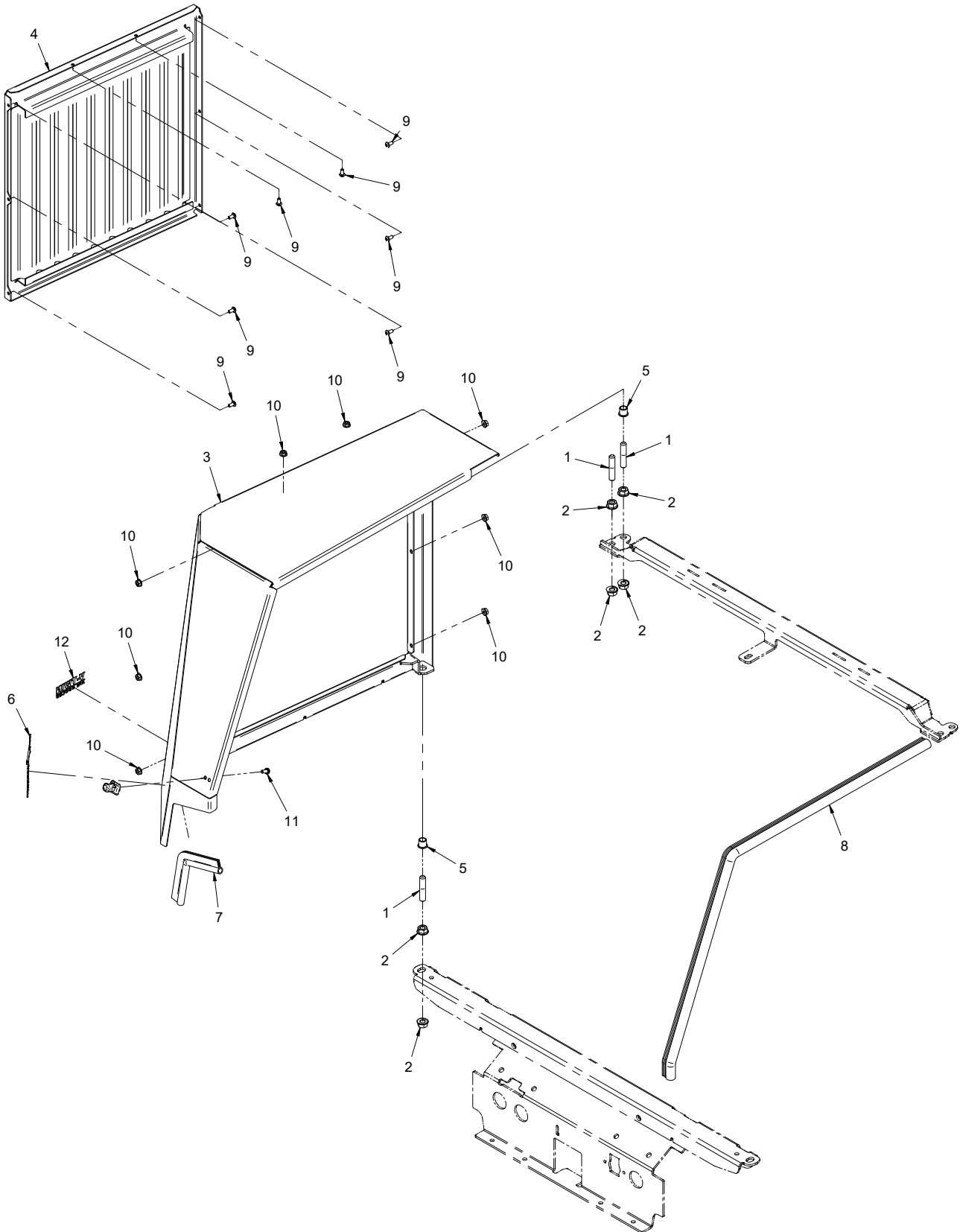
# FRAMES / SHEET METAL

## Left Hood Panel

REF.	PART NO.	DESCRIPTION	QTY.
1	99.F0043	.PIN, HINGE 3/8-16 X 1-7/8 SS	3
2	99.SF06	.NUT, SRF 3/8-16 USS	6
3	60.1190	.PANEL, HOOD LEFT	1
4	60.1218	.PANEL, HOOD INSERT LEFT	1
5	85.B0068	.BUSHING, 3/8 X 1/2 OD X 1/2 LG	2
6	00.0382	.DECAL, VENTRAC	1
7	06.0043-7.25IN	.TRIM, TRIM SEAL W/BULB X 7-1/4"	1
8	06.0077-33.5IN	.TRIM, TRIM SEAL W/BULB X 33-1/2"	1
9	99.K0042	.MACHINE SCREW, 10-32 X 3/8	8
10	99.E0035	.NUT, SRF #10-32	8
11	99.K0072	.MACHINE SCREW, 10-24 X 1/2 ZP	1
12	00.0353	.DECAL, QUICK REFERENCE	1
13	00.0354	.DECAL, MAINTENANCE	1
14	00.0385	.DECAL, MAINTENANCE ENG OIL	1
15	00.0320	.DECAL, V-TWIN	1

# FRAMES / SHEET METAL

## ILLUSTRATED DRAWING Right Hood Panel



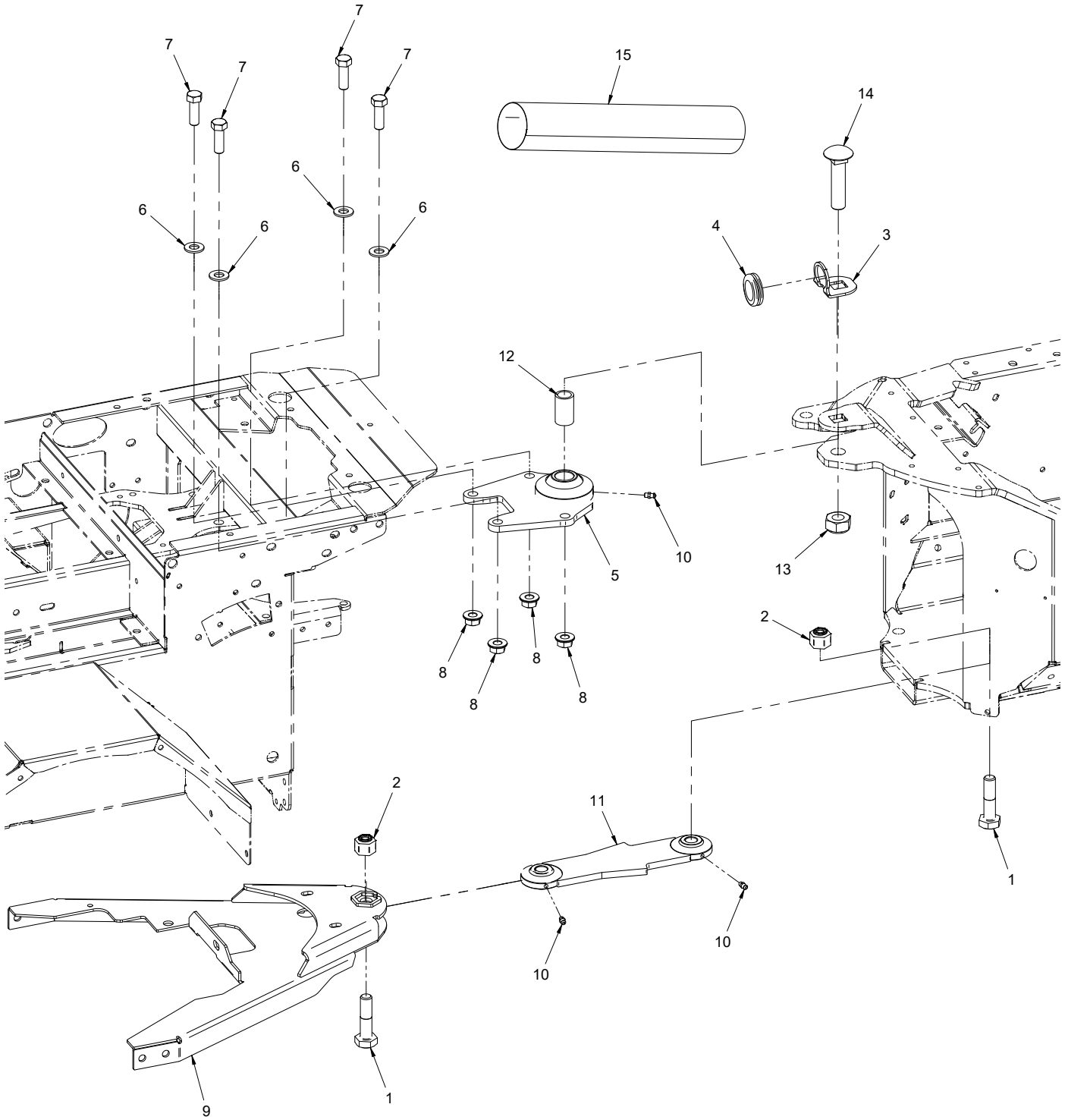
# FRAMES / SHEET METAL

## Right Hood Panel

REF.	PART NO.	DESCRIPTION	QTY.
1	99.F0043	.PIN, HINGE 3/8-16 X 1-7/8 SS	3
2	99.SF06	.NUT, SRF 3/8-16 USS	6
3	60.1191	.PANEL, HOOD RIGHT	1
4	64.1768	.SCREEN, HOOD RIGHT	1
5	85.B0068	.BUSHING, 3/8 X 1/2 OD X 1/2 LG	2
6	00.0382	.DECAL, VENTRAC	1
7	06.0043-7.25IN	.TRIM, TRIM SEAL W/BULB X 7-1/4"	1
8	06.0077-33.5IN	.TRIM, TRIM SEAL W/BULB X 33-1/2"	1
9	99.K0042	.MACHINE SCREW, 10-32 X 3/8	8
10	99.E0035	.NUT, SRF #10-32	8
11	99.K0072	.MACHINE SCREW, 10-24 X 1/2 ZP	1
12	00.0320	.DECAL, V-TWIN	1

# FRAMES / SHEET METAL

## ILLUSTRATED DRAWING Center Frame Pivot & Connector Link



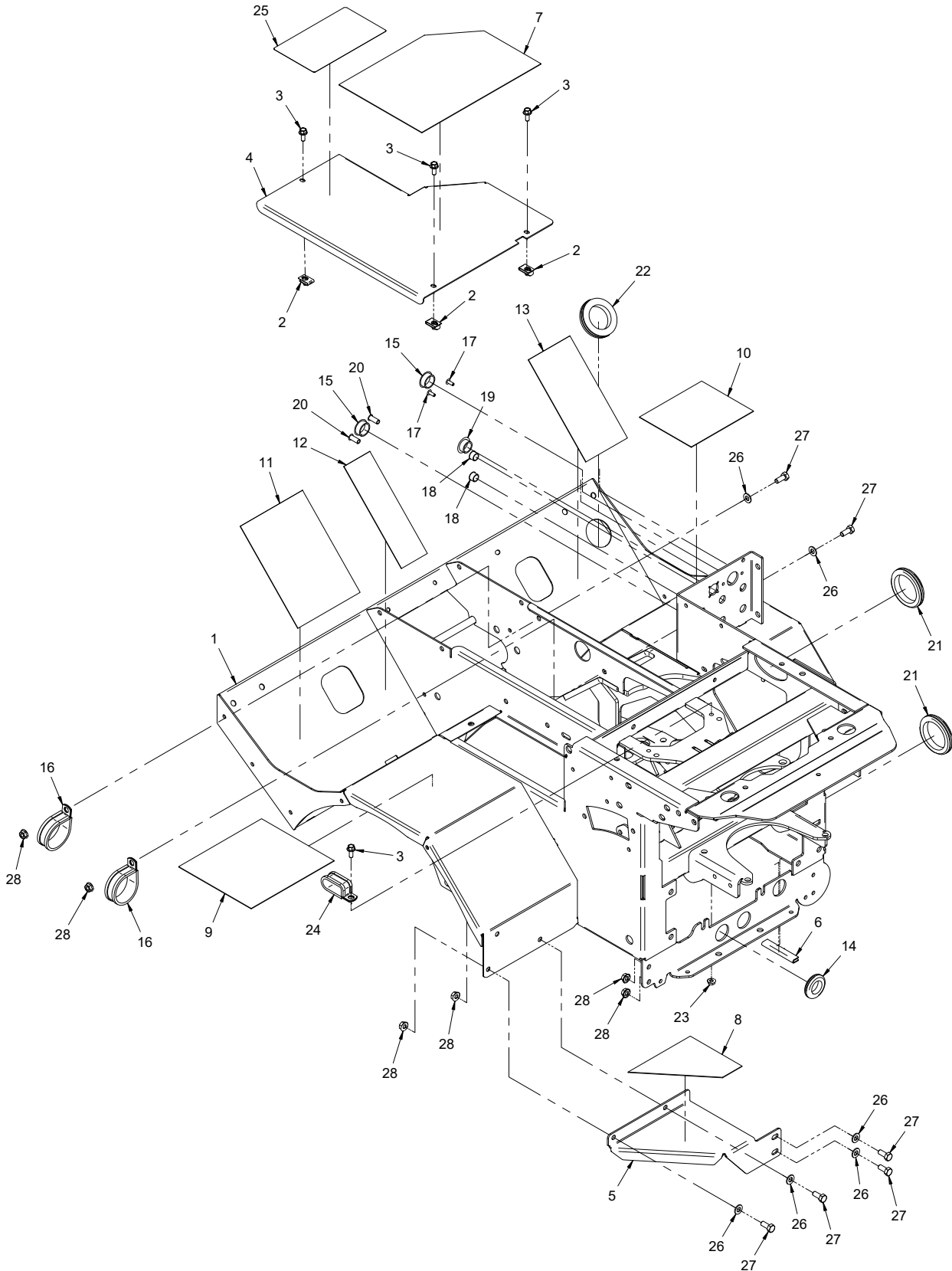
# FRAMES / SHEET METAL

## Center Frame Pivot & Connector Link

REF.	PART NO.	DESCRIPTION	QTY.
1	99.K0112	.BOLT, 5/8-11 X 2-1/2 GRD A325	2
2	99.E0095	.LOCKNUT, 5/8-11 HEAVY NYLON	2
3	64.1791	.BRACKET, WIRE/CABLE RETAINER	1
4	05.0060	.GROMMET, 1-1/8 ID, 1-3/4 OD	1
5	64.1753	.PIVOT, CENTER MAIN	1
6	95.08	.WASHER, FLAT 1/2 SAE	4
7	91.0812	.BOLT, 1/2-20 SAE X 1-1/2	4
8	99.E0103	.NUT, LOCKING FLANG 1/2-13	4
9	62.1409	.FRAME, CONNECTOR ANCHOR	1
10	29.GF0001	.GREASE FTG, 1/4 SAE ST	3
11	42.0566	.LINK, FRONT/REAR CONNECTOR	1
12	64.1792	.BUSHING, CENTER PIVOT BOLT	1
13	99.E0115	.NUT, JAM 3/4-10 NYLON LOCK WID	1
14	97.1226	.BOLT, CARRIAGE 3/4-10 X 3-1/4	1
15	44.0340	.SLEEVE, 2X15 PROTECTOR BUNDLIN	1

# FRAMES / SHEET METAL

## ILLUSTRATED DRAWING Front Frame & Step



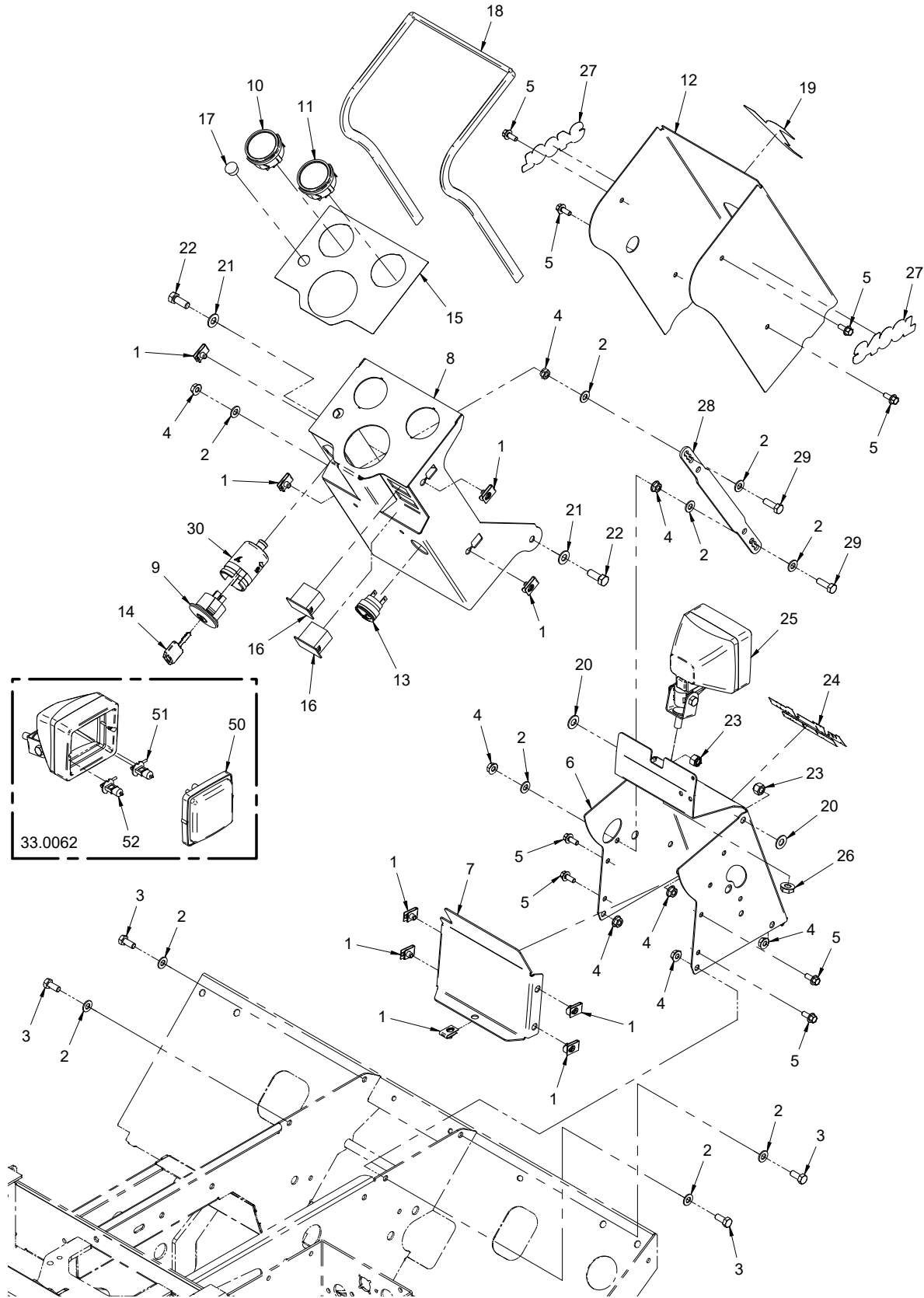
# FRAMES / SHEET METAL

## Front Frame & Step

REF.	PART NO.	DESCRIPTION	QTY.
1	62.1403	.FRAME, FRONT 3400	1
2	99.E0046	.NUT, "U" 1/4-20 EXTRUDED	3
3	99.SF0405-1	.BOLT, SMF 1/4-20 X 5/8	4
4	60.1198	.COVER, TUNNEL ACCESS	1
5	64.1275	.BRACKET, FOOT STEP LEFT	1
6	06.0050-3IN	.TRIM, TRIM LOC 1/2 X 3/16 X 3"	1
7	44.0346	.FLEX TREAD, TUNNEL	1
8	44.0233	.FLEX TREAD, FOOT STEP	1
9	44.0237	.FLEX TREAD, LEFT FENDER	1
10	44.0232	.FLEX TREAD, RIGHT FENDER	1
11	44.0236	.FLEX TREAD, LEFT FOOT PLATE	1
12	44.0235	.FLEX TREAD, LEFT FOOT PLATE	1
13	44.0234	.FLEX TREAD, RIGHT FOOT PLATE	1
14	05.0044	.GROMMET, 1 ID, 1-3/4OD, 3/8THK	1
15	05.0109	.PLUG, 1" HOLE, BLK PLASTIC	2
16	11.0065	.CLAMP, CUSHIONED METAL 2"	2
17	05.0155	.PLUG, 3/16" HOLE, BLK PLASTIC	2
18	05.0153	.PLUG, 9/16" HOLE, BLK PLASTIC	2
19	05.0152	.PLUG, 7/8" HOLE, BLK PLASTIC	1
20	05.0154	.PLUG, 1/4" HOLE, BLK PLASTIC	2
21	05.0056	.GROMMET, 2-1/8ID,2-7/8OD,7/16T	2
22	05.0071	.GROMMET, 1-3/4ID, 2-3/4OD, 7/16T	1
23	99.SF04	.NUT, SRF 1/4-20 USS	1
24	11.0071	.CLAMP, CUSHIONED METAL 3/4"	1
25	00.0362	.DECAL, WARNING OPERATOR SAFETY	1
26	95.05	.WASHER, FLAT 5/16 SAE	6
27	90.0506	.BOLT, 5/16-18 USS X 3/4"	6
28	99.SF05	.NUT, SRF 5/16-18 USS	6

# FRAMES / SHEET METAL

## ILLUSTRATED DRAWING Steering Column





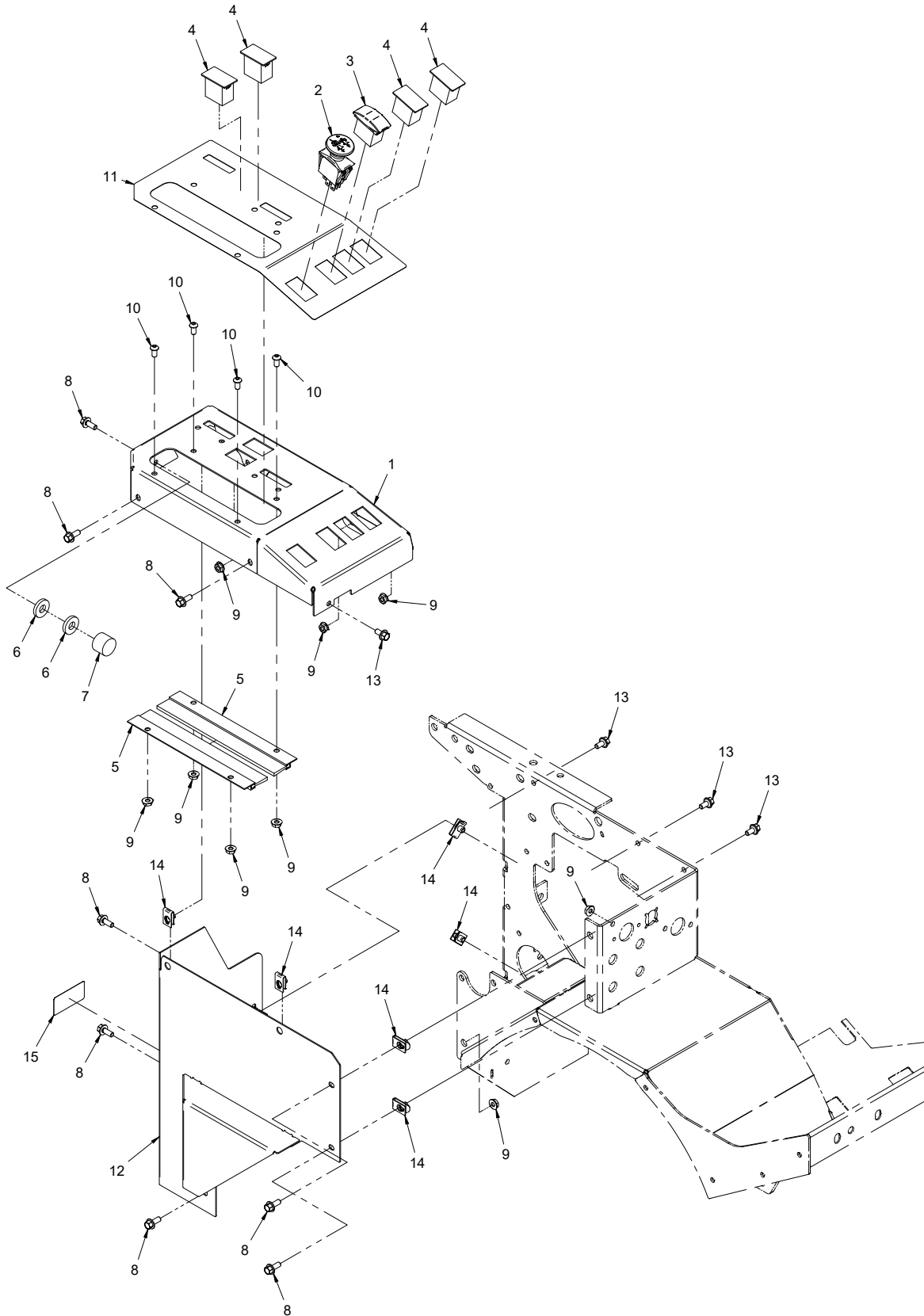
# FRAMES / SHEET METAL

## Steering Column

REF.	PART NO.	DESCRIPTION	QTY.
1	99.E0046	.NUT, "U" 1/4-20 EXTRUDED	9
2	95.05	.WASHER, FLAT 5/16 SAE	10
3	90.0506	.BOLT, 5/16-18 USS X 3/4"	4
4	99.SF05	.NUT, SRF 5/16-18 USS	8
5	99.SF0405-1	.BOLT, SMF 1/4-20 X 5/8	8
6	62.1408	.COLUMN, 3400 STEERING BASE	1
7	60.0970	.COVER, STEERING COLUMN BASE	1
8	62.1404	.COLUMN, 3400 STEERING	1
9	13.0078	.SWITCH, IGNITION DELTA	1
10	35.0133	.GAUGE, CLUSTER RPM/HOUR	1
11	35.0132	.GAUGE, CLUSTER FUEL	1
12	60.1185	.COVER, STEERING COLUMN	1
13	35.0124	.ALARM, AUDIBLE CONT. PANEL MT.	1
14	13.0080	.KEY, IGNITION DELTA	1
15	00.0351	.DECAL, STEERING COLUMN	1
16	05.0131	.PLUG, SWITCH OTTO K5	2
17	05.0139	.PLUG, 5/8" HOLE, BLK PLASTIC	1
18	06.0042-45.25IN	.TRIM, TRIM LOC 1/2 X 1/16 X 45-1/4"	1
19	00.0192	.DECAL, V-DECAL DIE CUT BLUE	1
20	05.0083	.WASHER, NYLON .377 X.875 X.062	2
21	95.06	.WASHER, FLAT 3/8 SAE	2
22	90.0608	.BOLT, 3/8-16 USS X 1	2
23	99.A06N	.LOCKNUT, NYLON 3/8-16	2
24	00.0384	.DECAL, ALL WHEEL DRIVE	1
25	33.0062	.LIGHT, WORK 3 X 3	1
26	99.M0021	.NUT, SMF M10 X 1.5MM	1
27	00.0357	.DECAL, 3400L	2
28	42.0509	.LINK, STEERING TILT LOCK	1
29	90.0508	.BOLT, 5/16-18 USS X 1"	2
30	30.0469	.COVER, SPLASHGUARD IG SWITCH (Serial # 01606-)	1
50	33.0054	.OPTICAL UNIT, LENS/REFLECTOR	1
51	33.0055	.BULB, LIGHT (ONLY) 55 WATT	1
52	33.0056	.BULB, LIGHT (ONLY) 35 WATT (Optional)	1

# FRAMES / SHEET METAL

## ILLUSTRATED DRAWING Right Dash Panel & SDLA Cover



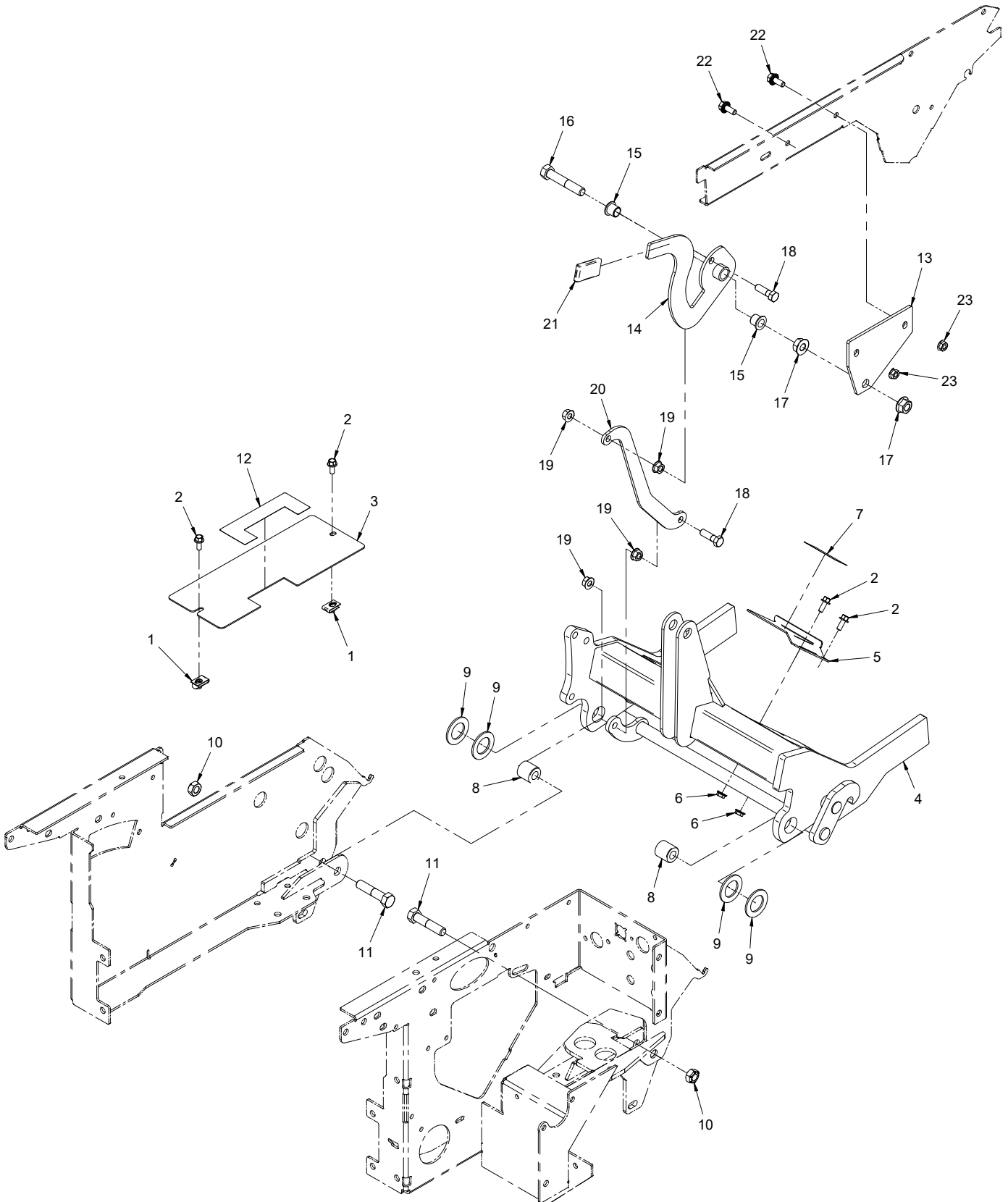
# FRAMES / SHEET METAL

## Right Dash Panel & SDLA Cover

REF.	PART NO.	DESCRIPTION	QTY.
1	60.1186	.PANEL, DASH RIGHT	1
2	31.0043	.SWITCH, PTO - PUSH / PULL	1
3	31.0053	.SWITCH, ROCKER ON/OFF	1
4	05.0131	.PLUG, SWITCH OTTO K5	4
5	79.0098	.BRUSH, SDLA COVER W/HOLDER	2
6	99.G0014	.WASHER, 3/8 USS FW .165 THK	2
7	05.0125	.BUMPER, NEOPRENE 1" DIA	1
8	99.SF0405-1	.BOLT, SMF 1/4-20 X 5/8	8
9	99.SF04	.NUT, SRF 1/4-20 USS	9
10	99.0404	.BOLT, 1/4-20 X 1/2 BSCS	4
11	00.0386	.DECAL, DASH SIDE	1
12	60.1187	.COVER, SDLA ACCESS	1
13	99.SF0404-1	.BOLT, SMF 1/4-20 X 1/2	4
14	99.E0046	.NUT, "U" 1/4-20 EXTRUDED	6
15	00.0376	.DECAL, NEUTRAL	1

# FRAMES / SHEET METAL

## ILLUSTRATED DRAWING Front Hitch



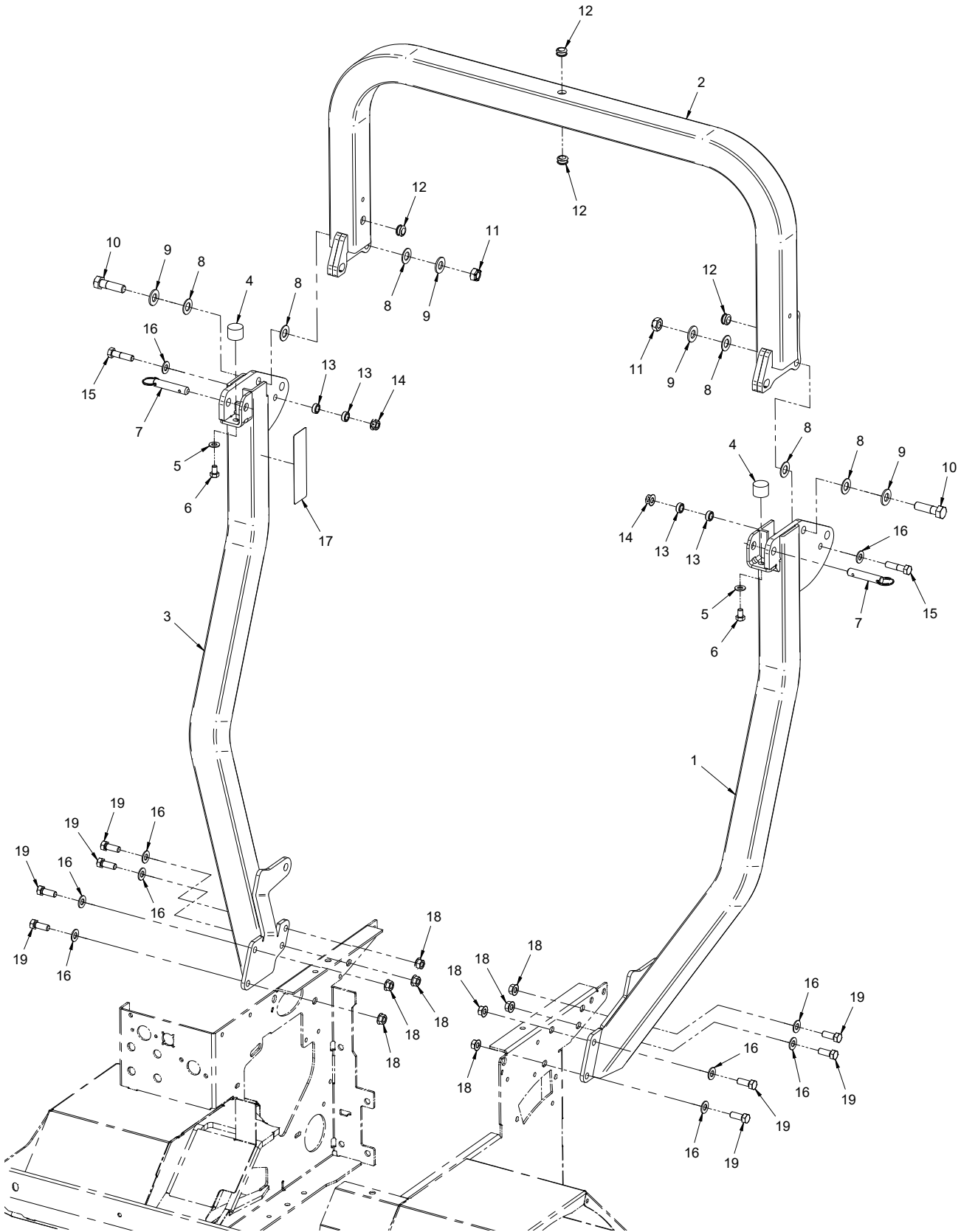
# FRAMES / SHEET METAL

## Front Hitch

REF.	PART NO.	DESCRIPTION	QTY.
1	99.E0046	.NUT, "U" 1/4-20 EXTRUDED	2
2	99.SF0405-1	.BOLT, SMF 1/4-20 X 5/8	4
3	60.0969	.COVER, WEIGHT TRANSFER ACCESS	1
4	62.1259	.FRAME, FRONT HITCH	1
5	60.0973	.SHIELD, FRONT DOUBLE IDLER BELT	1
6	99.SF04	.NUT, SF 1/4-20 USS	2
7	00.0365	.DECAL, WARNING MOVING PARTS	1
8	64.0807	.BUSHING, .516X 1.00X 1.00	2
9	99.B0093	.WASHER, 1.064 X 1.75 X .103T	4
10	99.A08	.LOCKNUT, STOVER 1/2-13 USS	2
11	90.0818	.BOLT, 1/2-13 USS X 2-1/4	2
12	00.0379	.DECAL, FRONT HITCH LOCK	1
13	64.1300	.BRACKET, FRONT HITCH LEVER POV	1
14	40.0340	.LEVER, FRONT HITCH LATCH	1
15	85.B0027	.BUSHING, 1/2 ID X 5/8 OD X 5/8	2
16	90.0822	.BOLT, 1/2-13 USS X 2-3/4	1
17	99.SF08	.NUT, SRF 1/2-13 USS	2
18	90.0610	.BOLT, 3/8-16 USS X 1-1/4	2
19	99.SF06	.NUT, SRF 3/8-16 USS	4
20	42.0512	.LINK, FRONT HITCH LATCH	1
21	06.0051	.CAP, 3/16 X 15/16 X 1-3/4 FE	1
22	99.SF0506	.BOLT, SRF 5/16-18 USS X 3/4	2
23	99.SF05	.NUT, SRF 5/16-18 USS	2

# FRAMES / SHEET METAL

## ILLUSTRATED DRAWING Roll Bar



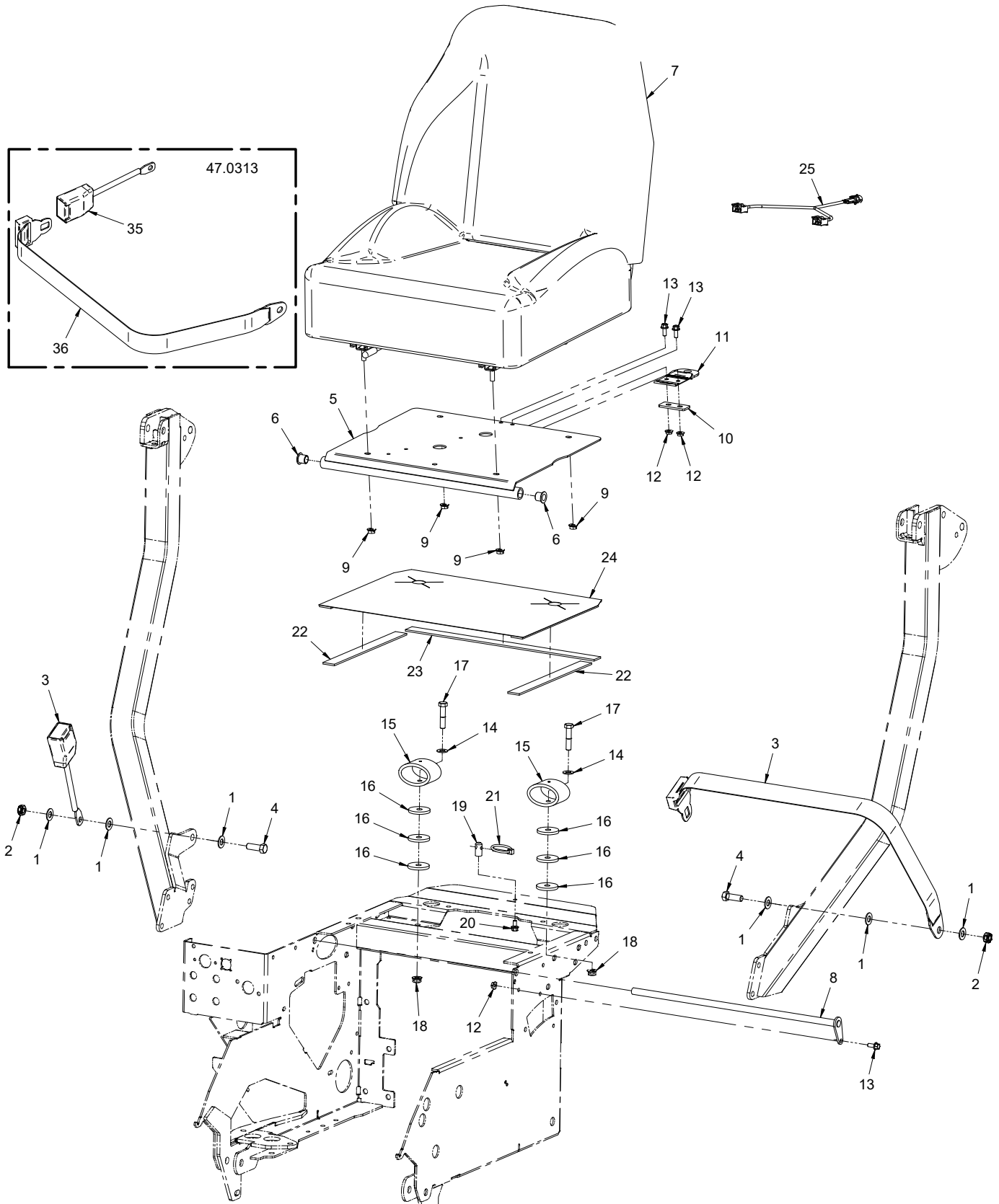
# FRAMES / SHEET METAL

## Roll Bar

REF.	PART NO.	DESCRIPTION	QTY.
1	62.1407	.ROLLBAR, LEFT	1
2	62.1405	.ROLLBAR, TOP	1
3	62.1406	.ROLLBAR, RIGHT	1
4	05.0110	.BUMPER, RUBBER 1" DIA	2
5	95.05	.WASHER, FLAT 5/16 SAE	2
6	90.0504	.BOLT, 5/16-18 USS X 1/2"	2
7	03.0007	.PIN, BALL 1/2 X 1.8"	2
8	05.0145	.WASHER .55ID X 1.03OD X .062T	6
9	95.08	.WASHER, FLAT 1/2 SAE	4
10	90.0814	.BOLT, 1/2-13 USS X 1-3/4	2
11	99.A08	.LOCKNUT, STOVER 1/2-13 USS	2
12	05.0138	.GROMMET, 7/16ID, 11/16OD, 3/8THK	4
13	64.0602	.BUSHING, 3/8 X 5/8 X .265	4
14	99.E0082	.NUT, LOCKING FLANGE 3/8-16	2
15	90.0612	.BOLT, 3/8-16 USS X 1-1/2	2
16	95.06	.WASHER, FLAT 3/8 SAE	10
17	00.0360	.DECAL, ROPS CERTIFICATION	1
18	99.SF06	.NUT, SRF 3/8-16 USS	8
19	90.0608	.BOLT, 3/8-16 USS X 1	8

# FRAMES / SHEET METAL

## ILLUSTRATED DRAWING Seat Assembly





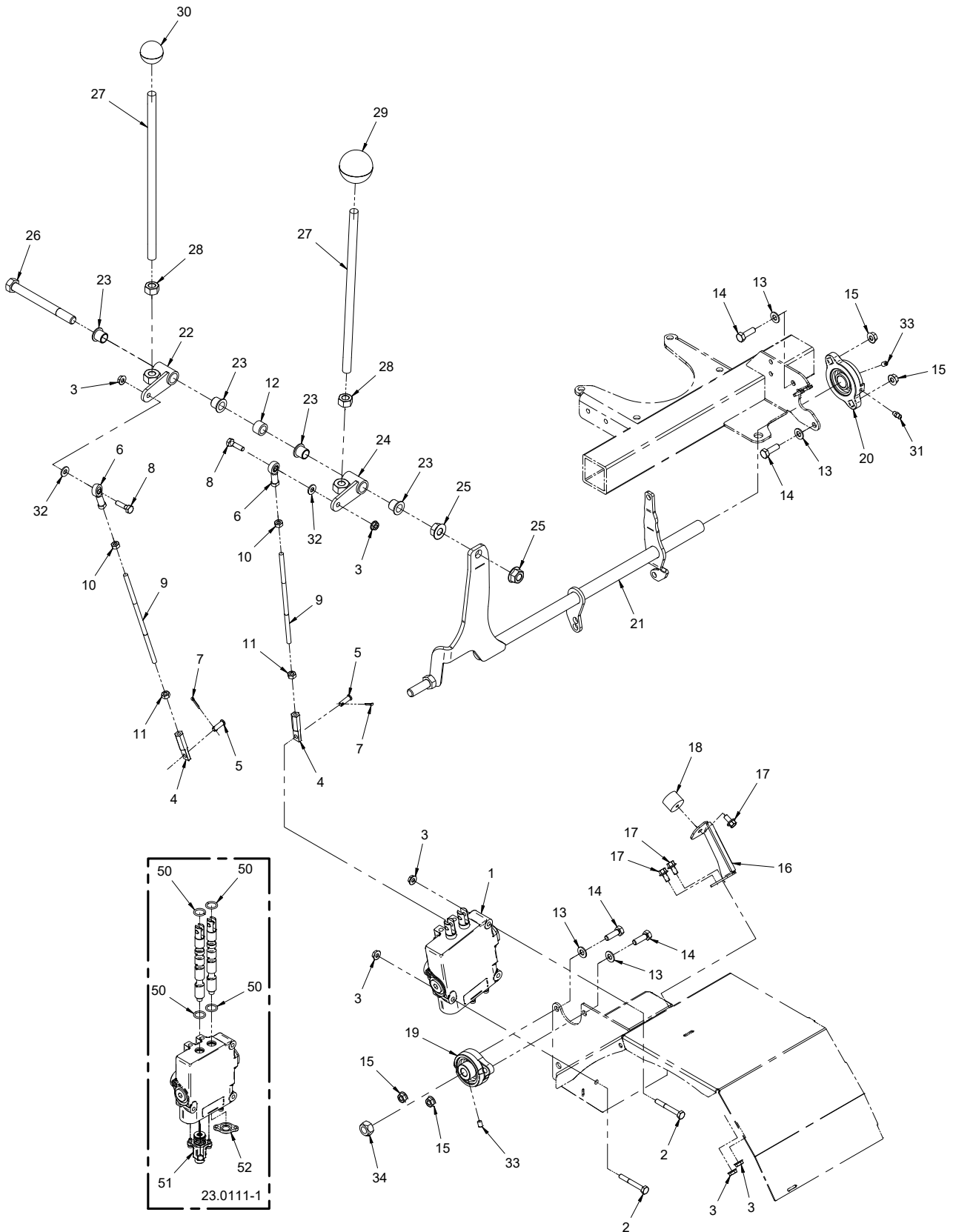
# FRAMES / SHEET METAL

## Seat Assembly

REF.	PART NO.	DESCRIPTION	QTY.
1	95.07	.WASHER, FLAT 7/16 SAE	6
2	99.A07	.LOCKNUT, STOVER 7/16-14 USS	2
3	47.0313	.SEAT BELT, LAP W/BUCKLE	1
4	90.0710	.BOLT, 7/16-14 USS X 1-1/4	2
5	64.1822	.PLATE, SEAT	1
6	85.B0027	.BUSHING, 1/2 ID X 5/8 OD X 5/8	2
7	47.0360	.SEAT, DELUXE W/MANUAL HOLDER	1
	31.0060	.SWITCH, SEAT	2
	47.0366	.COVER, SEAT BOTTOM	1
	47.0367	.COVER, SEAT BACK	1
8	64.1259	.ROD, CR 1/2 X 18 SEAT PIVOT	1
9	99.SF05	.NUT, SRF 5/16-18 USS	4
10	64.1723	.CLAMP, SEAT LATCH STRAP	1
11	47.0335	.STRAP, SEAT LATCH	1
12	99.SF04	.NUT, SRF 1/4-20 USS	3
13	99.SF0405-1	.BOLT, SMF 1/4-20 X 5/8	3
14	95.06	.WASHER, FLAT 3/8 SAE	2
15	05.0137	.BUMPER, ELASTOMER 3.4"	2
16	99.B0076	.WASHER, .185 X 13/32 ID X 1-5/8	6
17	90.0614	.BOLT, 3/8-16 USS X 1-3/4	2
18	99.E0082	.NUT, LOCKING FLANGE 3/8-16	2
19	03.0019	.PIN, SEAT LATCH	1
20	99.SF0404-1	.BOLT, SMF 1/4-20 X 1/2	1
21	03.0021	.PIN, LYNCH 3/16	1
22	06.0065-11IN	.VELCRO, LOOP 1" BLACK X 11"	2
23	06.0065-16.5IN	.VELCRO, LOOP 1" BLACK X 16-1/2"	1
24	44.0334	.CANVAS, FRONT FRAME	1
25	32.0143	.HARNESS, 3400/4500 SEAT	1
35	47.0313-2	.SEAT BELT, BUCKLE	1
36	47.0313-1	.SEAT BELT, LAP BELT	1

# CONTROLS & LINKAGE

## ILLUSTRATED DRAWING SDLA Control Levers



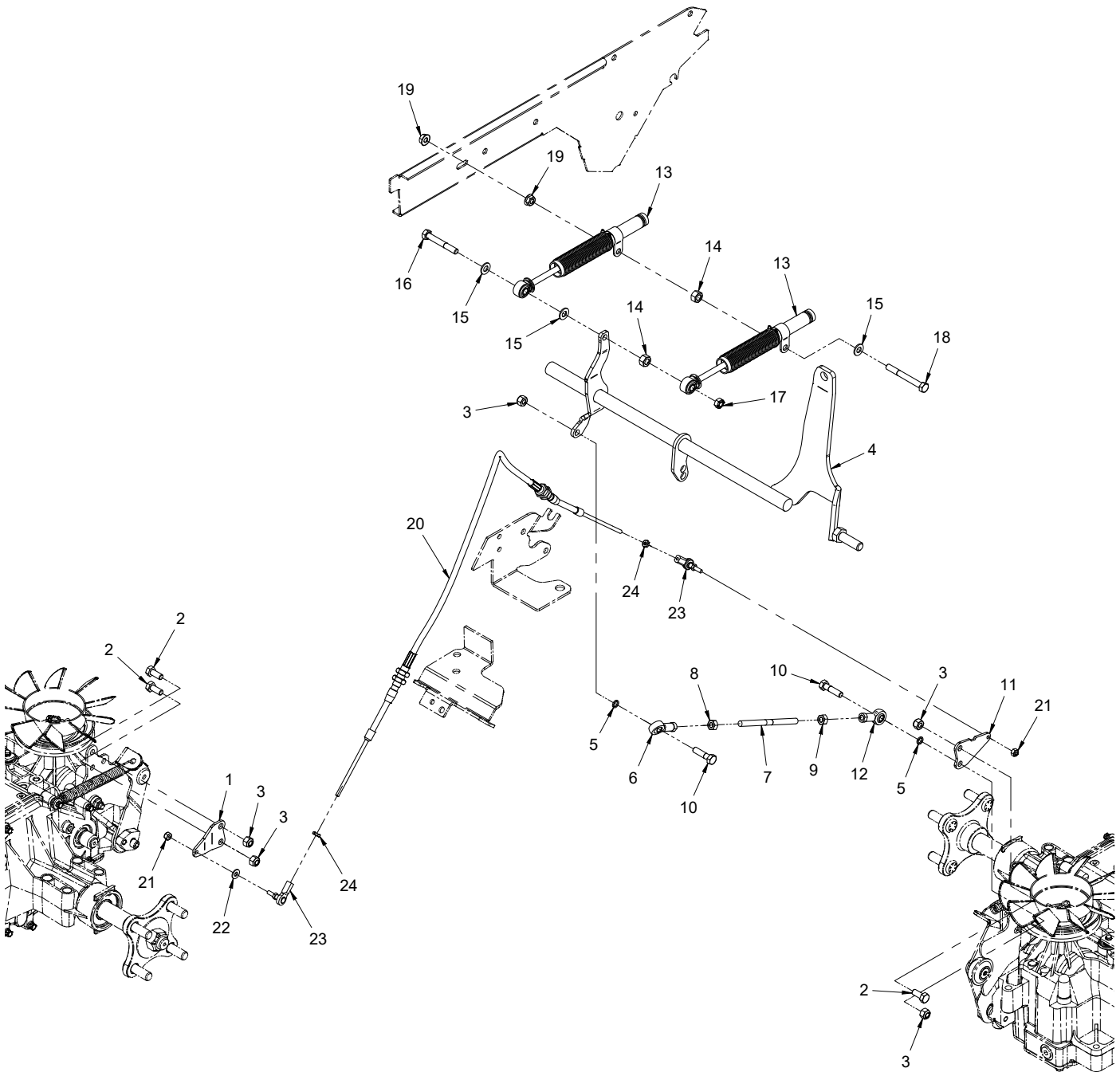
# CONTROLS & LINKAGE

## SDLA Control Levers

REF.	PART NO.	DESCRIPTION	QTY.
1	23.0111-1	.VALVE, HY 2 SPL W/LH FLT, RH SP.	1
2	90.0416	.BOLT, 1/4-20 USS X 2"	2
3	99.SF04	.NUT, SRF 1/4-20 USS	6
4	43.004-4	.ROD END, 1/4-28LH YZP VAL CTRL	2
5	03.0406	.CLEVIS PIN, 1/4 X 3/4	2
6	43.004	.ROD END, 1/4 SPHERICAL	2
7	02.CP0306	.COTTER PIN, 3/32 X 3/4	2
8	90.0408	.BOLT, 1/4-20 USS X 1"	2
9	42.0515	.ROD, THREAD 1/4-28 X 7" RH/LH.	2
10	93.04	.NUT, 1/4-28 SAE	2
11	99.E0081	.NUT, 1/4-28 LH GRADE 8 YZ.	2
12	64.1783	.BUSHING, 1/2ID X 3/4OD X 1/2L	1
13	95.05	.WASHER, FLAT 5/16 SAE	4
14	90.0508	.BOLT, 5/16-18 USS X 1"	4
15	99.SF05	.NUT, SRF 5/16-18 USS	4
16	64.1779	.BRACKET, SDLA FRONT STOP	1
17	99.SF0404-1	.BOLT, SMF 1/4-20 X 1/2	3
18	05.0125	.BUMPER, NEOPRENE 1" DIA.	1
19	55.FB16008	.BEARING, FLANGE BLCK 1/2 ID	1
20	55.FB16012-1	.BEARING, FLANGE BLOCK 3/4"	1
21	42.0565	.LINKAGE, FORWARD/REVERSE	1
22	42.0503	.PIVOT, SDLA LIFT CONTROL	1
23	85.B0027	.BUSHING, 1/2 ID X 5/8 OD X 5/8	4
24	42.0572	.PIVOT,SDLA LIFT CONTROL	1
25	99.SF08	.NUT, SRF 1/2-13 USS	2
26	90.0840	.BOLT, 1/2-13 USS X 5	1
27	40.0240	.HANDLE, F/R CONTROL	2
28	92.08	.NUT, 1/2-13 USS	2
29	47.0003	.KNOB, ROUND 2" X 1/2-13 THREAD	1
30	47.0329	.KNOB, ROUND 1-3/8 X 1/2-13	1
31	29.GF0001	.GREASE FTG, 1/4 SAE ST	1
32	95.04	.WASHER, FLAT 1/4 SAE	2
33	85.SS11	.SET SCREW, 1/4-28 X 3/8"	2
34	99.A08NF	.LOCKNUT, STOVER 1/2-20 SAE	1
50	26.0027	.O-RING, 5/8ID X 13/16OD X 3/32	4
51	23.0111-7	.KIT, SPOOL FLOAT HYD. VALVE	1
52	23.0111-8	.CAP, VALVE	1

# CONTROLS & LINKAGE

## ILLUSTRATED DRAWING SDLA Linkage



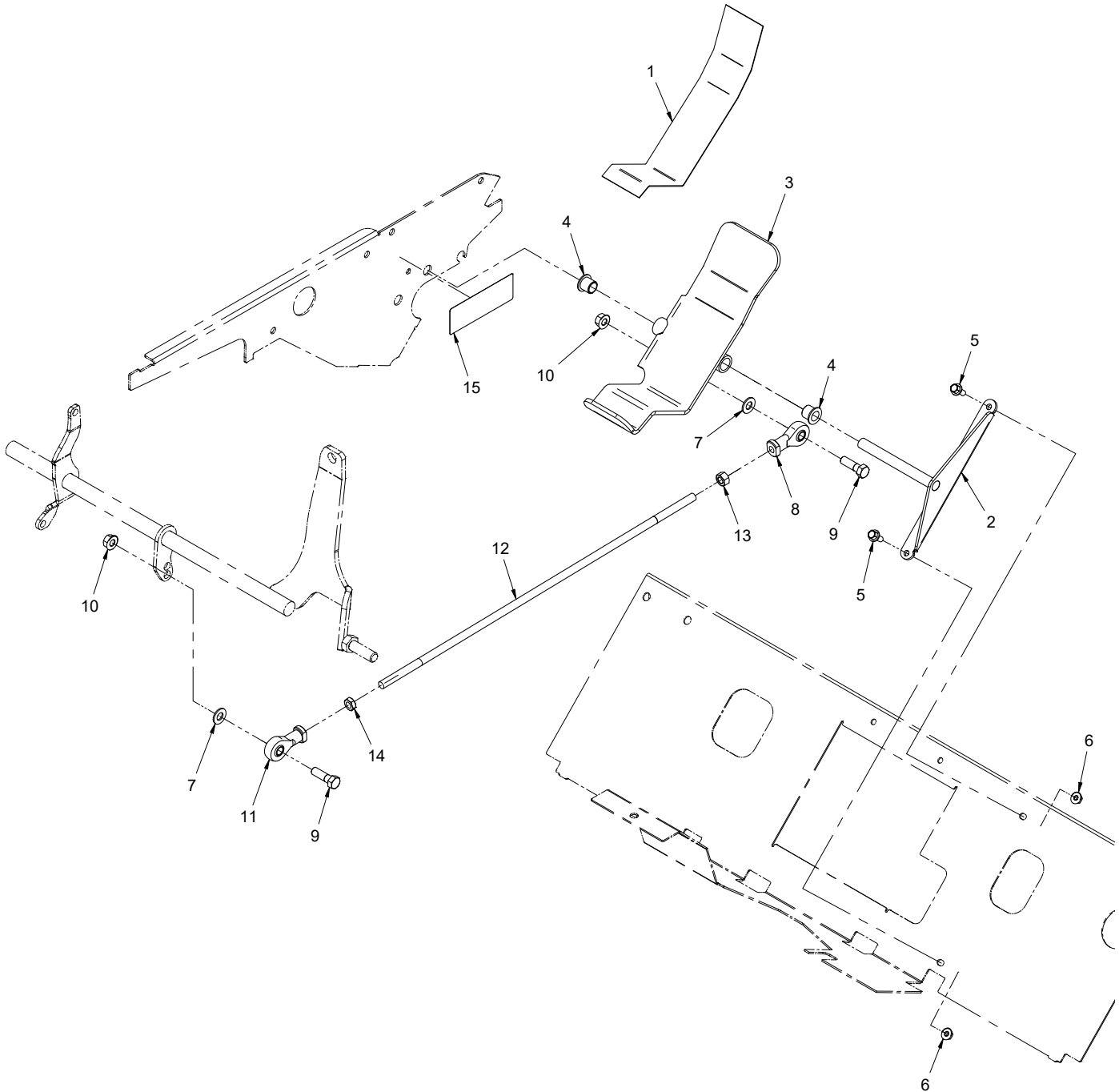
# CONTROLS & LINKAGE

## SDLA Linkage

REF.	PART NO.	DESCRIPTION	QTY.
1	60.0971	.PLATE, REAR AXLE CABLE MOUNT	1
2	91.0506	.BOLT, 5/16-24 SAE X 3/4	3
3	99.A05NFN	.LOCKNUT, NYLON 5/16-24 SAE ZP	5
4	42.0565	.LINKAGE, FORWARD/REVERSE	1
5	99.B0102	.WASHER, .313ID X .438OD X .062	2
6	43.005L	.ROD END, 5/16 SPHERICAL (LH)	1
7	42.0518	.ROD, THREAD 5/16-24 X 4.5" LH/RH	1
8	99.E0084	.NUT, 5/16-24 LEFT HAND ZP	1
9	93.05	.NUT, 5/16-24 SAE	1
10	91.0510	.BOLT, 5/16-24 SAE X 1-1/4	2
11	64.1536	.PLATE, FRONT AXLE CABLE MOUNT	1
12	43.005	.ROD END, 5/16 SPHERICAL	1
13	47.0242	.DAMPER, 2.625 STROKE GAS SHOCK	2
14	93.06	.NUT, 3/8-24 SAE	2
15	95.05	.WASHER, FLAT 5/16 SAE	3
16	90.0518	.BOLT, 5/16-18 USS X 2-1/4"	1
17	99.A05	.LOCKNUT, STOVER 5/16-18 USS	1
18	90.0522	.BOLT, 5/16-18 USS X 2-3/4	1
19	99.SF05	.NUT, SRF 5/16-18 USS	2
20	47.0353	.CABLE, CONTROL PUSH-PULL	1
21	99.A1032N	.LOCKNUT, NYLON 10-32 STAINLESS	2
22	99.B0051	.WASHER, FLAT #10	1
23	43.10-32S	.ROD END, 10-32 SPHERICAL W/STUD	2
24	99.E0034	.NUT, #10-32	2

# CONTROLS & LINKAGE

## ILLUSTRATED DRAWING Foot Pedal



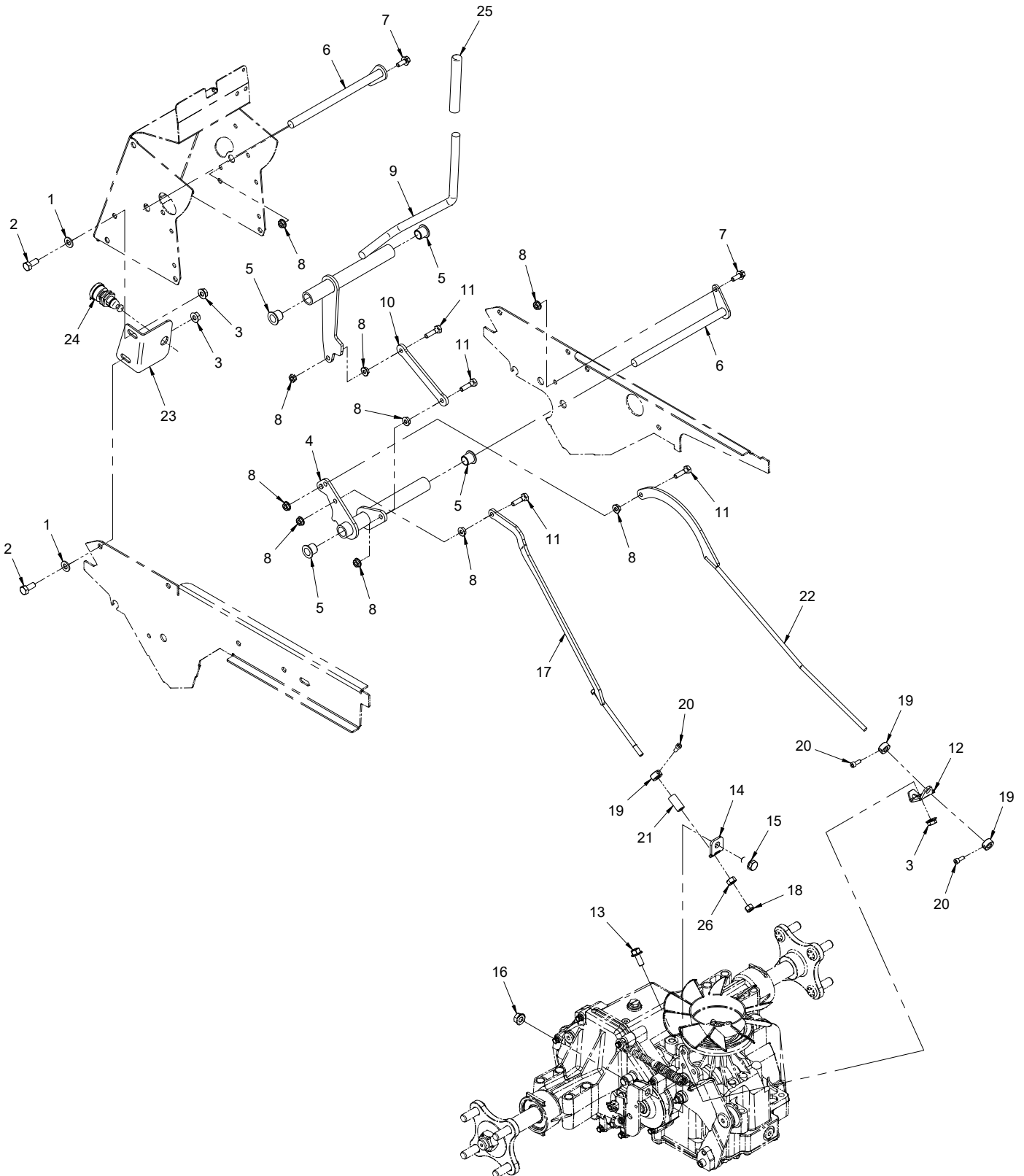
# CONTROLS & LINKAGE

## Foot Pedal

REF.	PART NO.	DESCRIPTION	QTY.
1	44.0275	.FLEX TREAD, FOOT PEDAL	1
2	42.0506	.PIVOT, FOOT PEDAL	1
3	62.1260	.PEDAL, FOOT	1
4	85.B0027	.BUSHING, 1/2 ID X 5/8 OD X 5/8	2
5	99.SF0405-1	.BOLT, SMF 1/4-20 X 5/8	2
6	99.SF04	.NUT, SRF 1/4-20 USS	2
7	95.06	.WASHER, FLAT 3/8 SAE	2
8	43.006	.ROD END, 3/8 SPHERICAL, FEMALE	1
9	90.0610	.BOLT, 3/8-16 USS X 1-1/4	2
10	99.SF06	.NUT, SRF 3/8-16 USS	2
11	43.006L	.ROD END, 3/8 SPHERICAL, LH THRD	1
12	42.0516	.ROD, THREAD 3/8-24X20.25 RH/LH	1
13	93.06	.NUT, 3/8-24 SAE	1
14	99.E0083	.NUT, JAM 3/8-24 SAE LH ZP	1
15	00.0375	.DECAL, FOOT CONTROL	1

# CONTROLS & LINKAGE

## ILLUSTRATED DRAWING Parking Brake





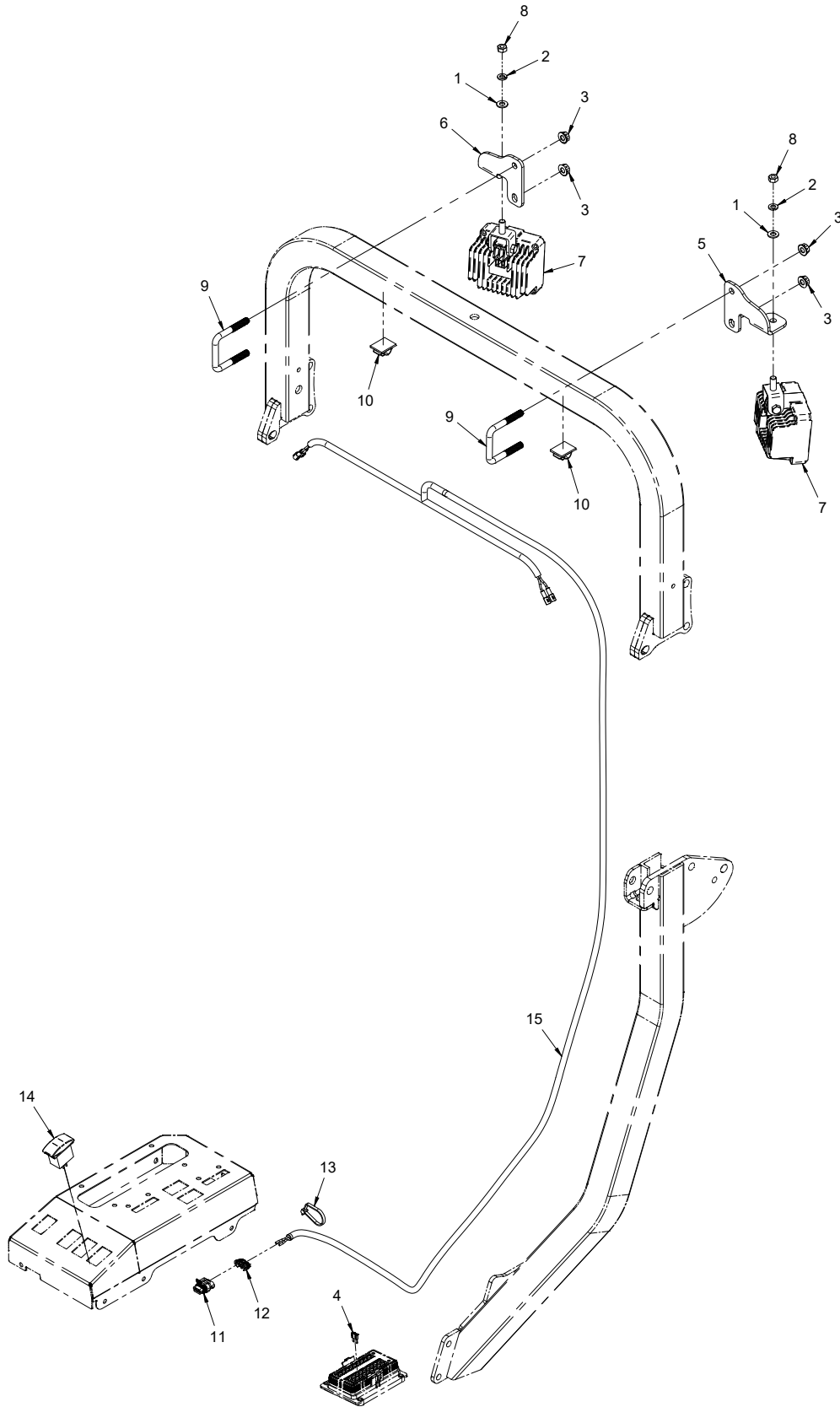
# CONTROLS & LINKAGE

## Parking Brake

REF.	PART NO.	DESCRIPTION	QTY.
1	95.05	.WASHER, FLAT 5/16 SAE	2
2	90.0506	.BOLT, 5/16-18 USS X 3/4"	2
3	99.SF05	.NUT, SRF 5/16-18 USS	3
4	64.1257	.ROCKER, MASTER LOCK OUT PIVOT	1
5	85.B0027	.BUSHING, 1/2 ID X 5/8 OD X 5/8	4
6	64.1260	.PIVOT, CONTROL ANCHOR	2
7	99.SF0405-1	.BOLT, SMF 1/4-20 X 5/8	2
8	99.SF04	.NUT, SRF 1/4-20 USS	10
9	40.0344	.LEVER, PARK/RETURN SELECTOR	1
10	42.0508	.LINK, DRIVE MASTER LOCK OUT	1
11	90.0408	.BOLT, 1/4-20 USS X 1"	4
12	64.0782	.EXTENSION, PUMP CONTROL	1
13	99.SF0506	.BOLT, SRF 5/16-18 USS X 3/4	1
14	64.0781	.EXTENSION, PARK BRAKE LEVER	1
15	99.SF0606	.BOLT, SRF 3/8-16 USS X 3/4	1
16	99.SF06	.NUT, SRF 3/8-16 USS	1
17	42.0502	.LINK, PARK BRAKE	1
18	99.A04NFN	.LOCKNUT, NYLON 1/4-28	1
19	85.SC05	.SET COLLAR, 5/16"	3
20	99.K0073	.BOLT, SHCS 10-32 X 1/2 ZP	3
21	05.0065	.SPACER, 1/4 ID X 1/2 OD X 1 LG	1
22	42.0501	.LINK, NEUTRALIZER CONTROL	1
23	64.1769	.BRACKET, NEUTRAL SWITCH	1
24	31.0044	.SWITCH, PUSH BUTTON - NEUTRAL	1
25	06.0059	.CAP, VINYL 1/2" X 4" LONG	1
26	92.05	.NUT, 5/16-18 USS	1

# OPTIONS

## ILLUSTRATED DRAWING 70.3044 Work Light Kit



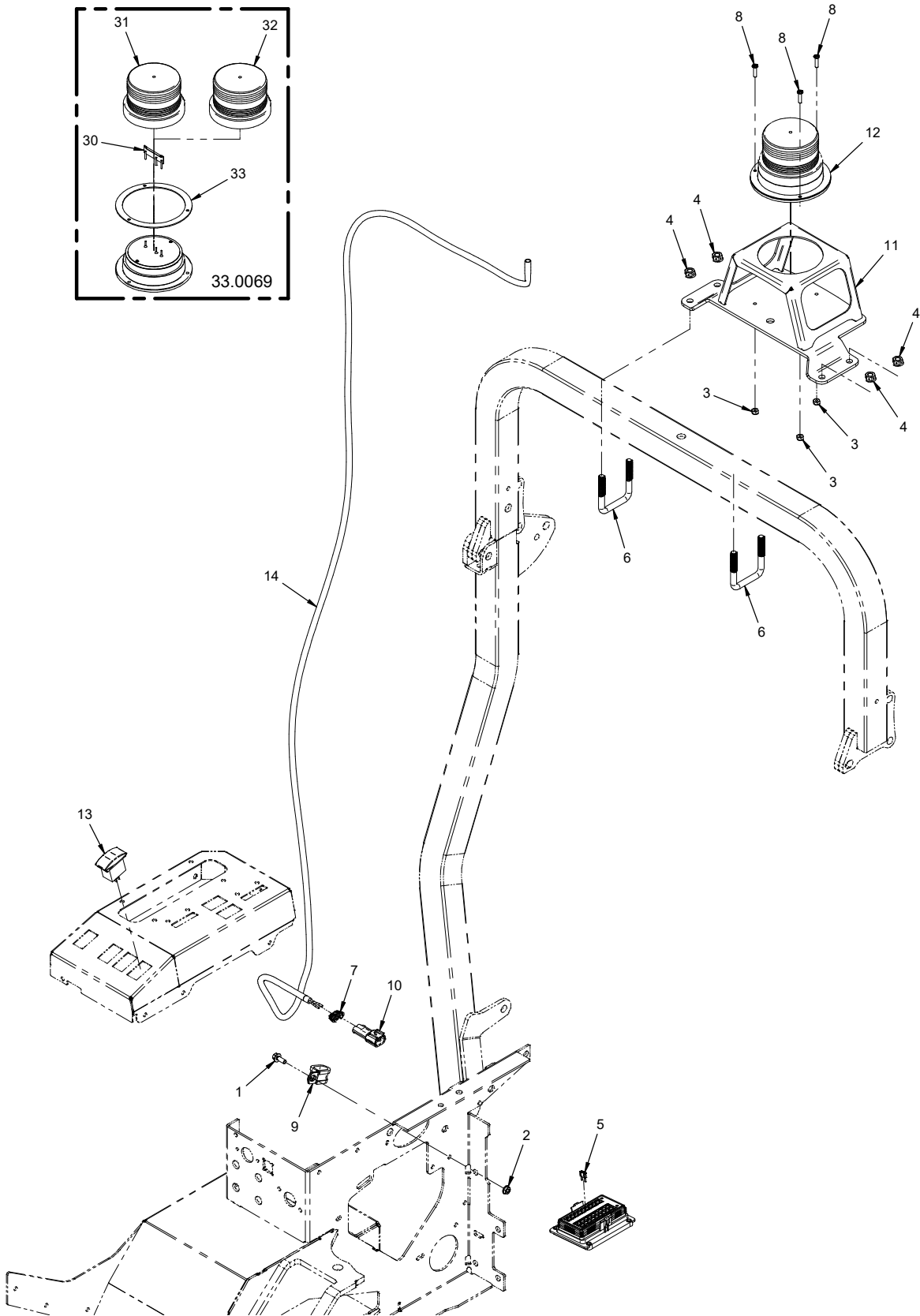
# OPTIONS

## 70.3044 Work Light Kit

REF.	PART NO.	DESCRIPTION	QTY.
1	95.05	.WASHER, FLAT 5/16 SAE	2
2	96.05	.WASHER, LOCK 5/16	2
3	99.E0082	.NUT, LOCKING FLANGE 3/8-16	4
4	30.0334	.FUSE, 15 AMP MINI BLUE	1
5	64.1819	.BRACKET, WORK LIGHT MT LEFT	1
6	64.1824	.BRACKET, WORK LIGHT MT RIGHT	1
7	33.0069	.LIGHT, WORK 3 X 3 LED	2
8	99.M0025	.NUT, M8 X 1.25 ZP	2
9	11.0053	.U-BOLT, 3/8-16 2-1/16" ID SQ BEND	2
10	30.0217	.CLAMP, WIRE MT ADH. 1/2 GRAY	2
11	30.0323	.CONNECTOR, MP280 FEMALE BODY	1
12	30.0326	.CLIP, MP280 CONNECTOR	1
13	30.0037	.TYTON TIE, #50 .18 X 8 BLACK	2
14	31.0053	.SWITCH, ROCKER ON/OFF	1
15	32.0153	.HARNESS, WIRE WORK LIGHT	1

# OPTIONS

## ILLUSTRATED DRAWING 70.3045 Strobe Light Kit



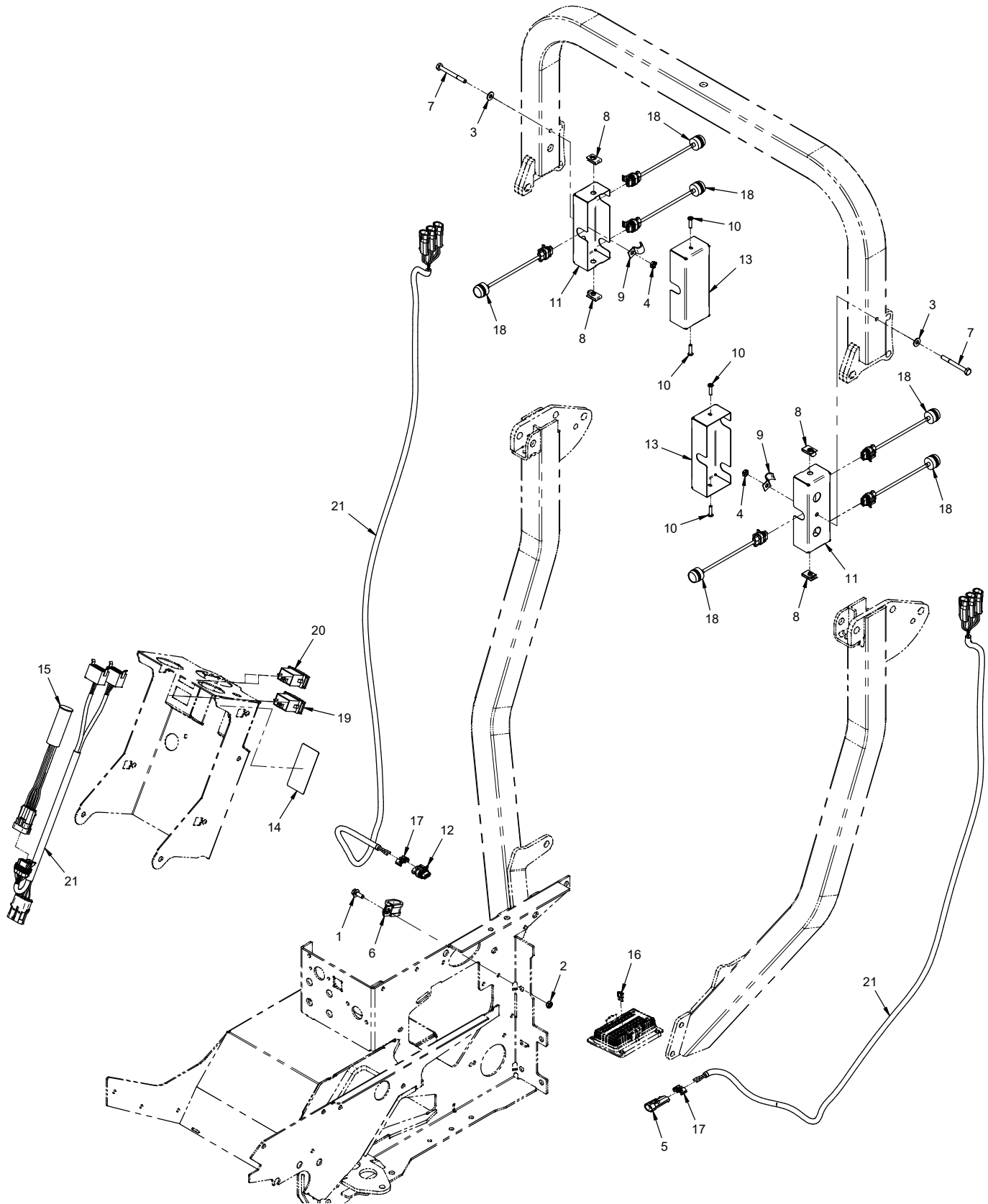
# OPTIONS

## 70.3045 Strobe Light Kit

REF.	PART NO.	DESCRIPTION	QTY.
1	99.SF0405-1	.BOLT, SMF 1/4-20 X 5/8	1
2	99.SF04	.NUT, SRF 1/4-20 USS	1
3	99.A1032N	.LOCKNUT, NYLON 10-32 STAINLESS	3
4	99.E0082	.NUT, LOCKING FLANGE 3/8-16	4
5	30.0334	.FUSE, 15 AMP MINI BLUE	1
6	11.0053	.U-BOLT, 3/8-16 2-1/16" ID SQ BEND	2
7	30.0326	.CLIP, MP280 CONNECTOR	1
8	99.K0047	.MACHINE SCREW, #10-32 X 3/4	3
9	11.0046	.CLAMP, CUSHIONED METAL 1/2"	1
10	30.0322	.CONNECTOR, MP280 MALE BODY	1
11	62.1411	.FRAME, STROBE LIGHT	1
12	33.0049	.LIGHT, STROBE AMBER	1
13	31.0053	.SWITCH, ROCKER ON/OFF	1
14	32.0154	.HARNESS, WIRE STROBE LIGHT	1
30	33.0052	.BULB, STROBE LIGHT FOR 33.0049	1
31	33.0050	.LENS, STROBE - AMBER 3-1/2"	1
32	33.0051	.LENS, STROBE - BLUE 3-1/2" (Optional)	1
33	33.0049-1	.RING, CLAMP	1

# OPTIONS

## ILLUSTRATED DRAWING 70.3046 Direction / Hazard Light Kit



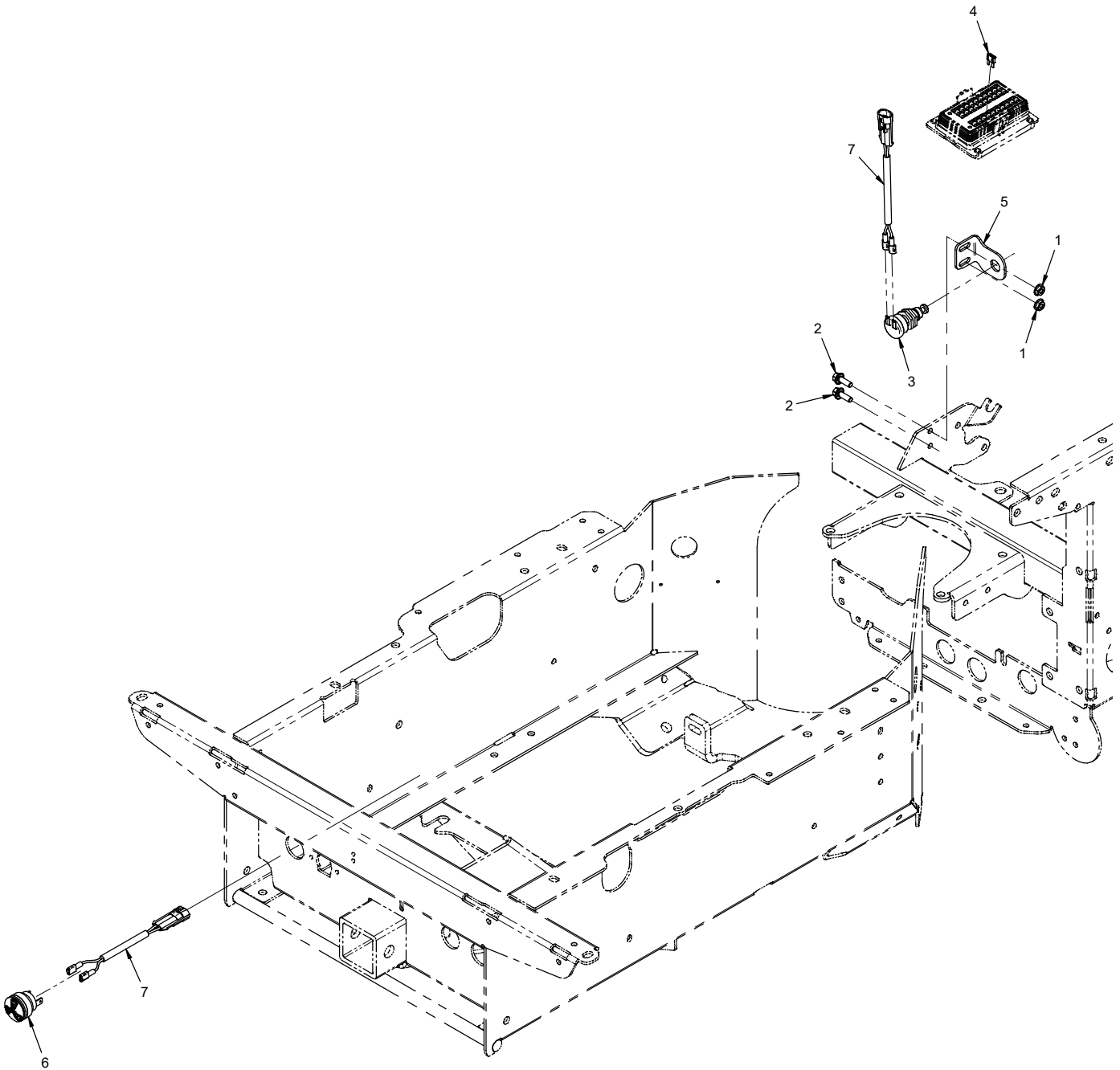
# OPTIONS

## 70.3046 Directional / Hazard Light Kit

REF.	PART NO.	DESCRIPTION	QTY.
1	99.SF0405-1	.BOLT, SMF 1/4-20 X 5/8	1
2	99.SF04	.NUT, SRF 1/4-20 USS	1
3	95.04	.WASHER, FLAT 1/4 SAE	2
4	99.A04	.LOCKNUT, STOVER 1/4-20 USS	2
5	30.0365	.CONNECTOR, MP150 2 POS MALE	1
6	11.0046	.CLAMP, CUSHIONED METAL 1/2"	1
7	90.0420	.BOLT, 1/4-20 USS X 2-1/2"	2
8	99.E0091	.NUT, "U" #10-24 EXTRUDED	4
9	11.0072	.CLAMP, 1/2 LOOP VINYL	2
10	99.K0106	.MACHINE SCREW, #10-24 X 3/4	4
11	64.1818	.BRACKET, DIRECTION LIGHT MT.	2
12	30.0344	.CONNECTOR, MP150 FEMALE BODY	1
13	60.1241	.COVER, DIRECTIONAL LIGHT	2
14	00.0378	.DECAL, DIRECTIONAL/HAZARD	1
15	35.0127	.MODULE, DIRECTIONAL LIGHT	1
16	30.0333	.FUSE, 10 AMP MINI RED	1
17	30.0409	.CLIP, MP150 CONNECTOR 2 POS	2
18	33.0067-1	.LIGHT, LED 3W ROUND - AMBER	6
19	31.0053	.SWITCH, ROCKER ON/OFF	1
20	31.0055	.SWITCH, ROCKER ON/OFF/ON	1
21	32.0155	.HARNESS, WIRE DIRECTIONAL	1

# OPTIONS

## ILLUSTRATED DRAWING 70.3037 Backup Alarm Kit





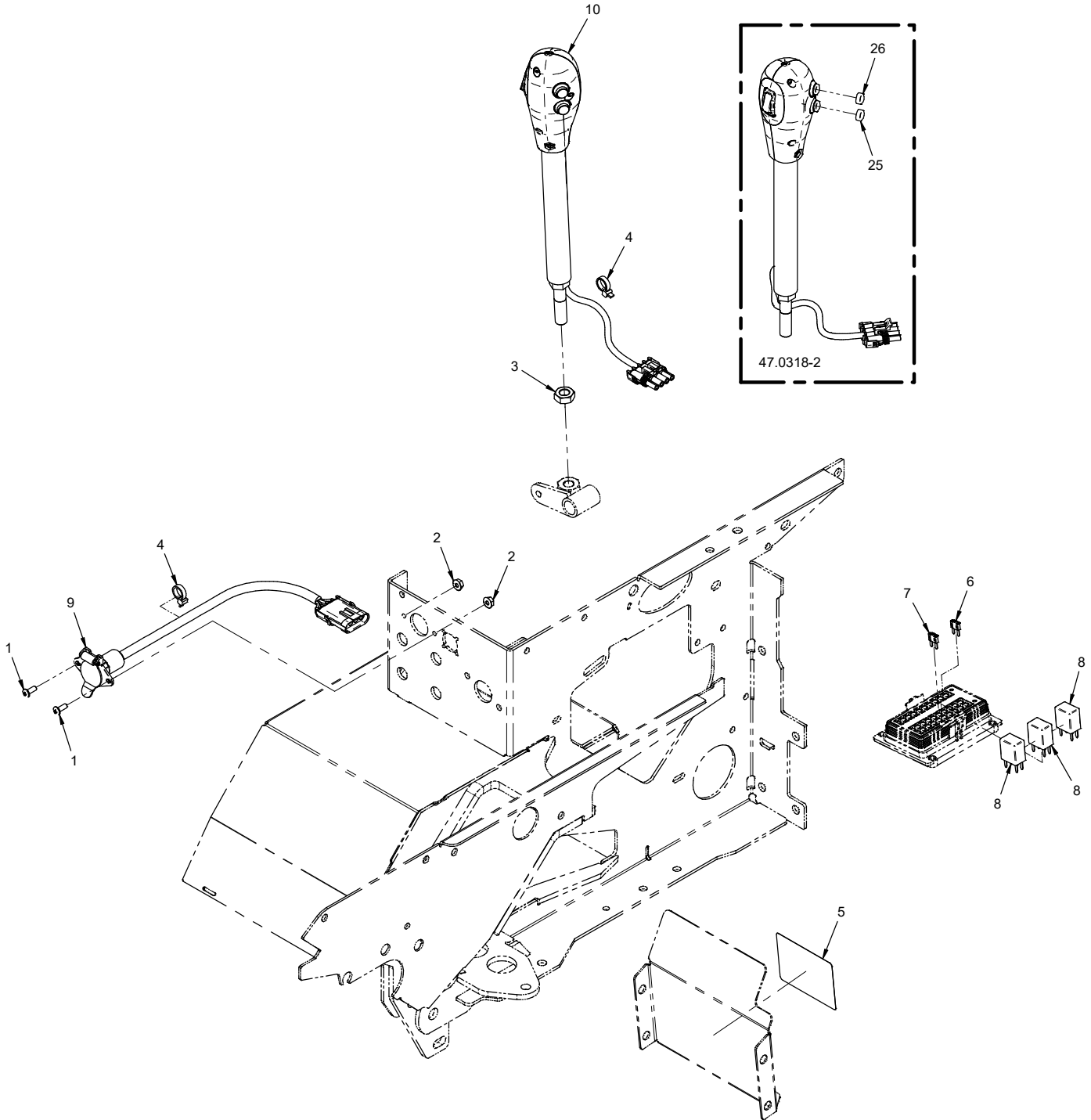
# OPTIONS

## 70.3037 Backup Alarm Kit

REF.	PART NO.	DESCRIPTION	QTY.
1	99.SF04	.NUT, SRF 1/4-20 USS.	2
2	99.SF0406-1	.BOLT, SMF 1/4-20 X 3/4	2
3	31.0044	.SWITCH, PUSH BUTTON - NEUTRAL.	1
4	30.0333	.FUSE, 10 AMP MINI RED.	1
5	64.1785	.BRACKET, BACKUP SWITCH MOUNT	1
6	35.0125	.ALARM, AUDIBLE PULSE PANEL MT	1
7	32.0149	.HARNESS, WIRE BACKUP ALARM.	1

# OPTIONS

## ILLUSTRATED DRAWING 70.3036 12 Volt Front Kit



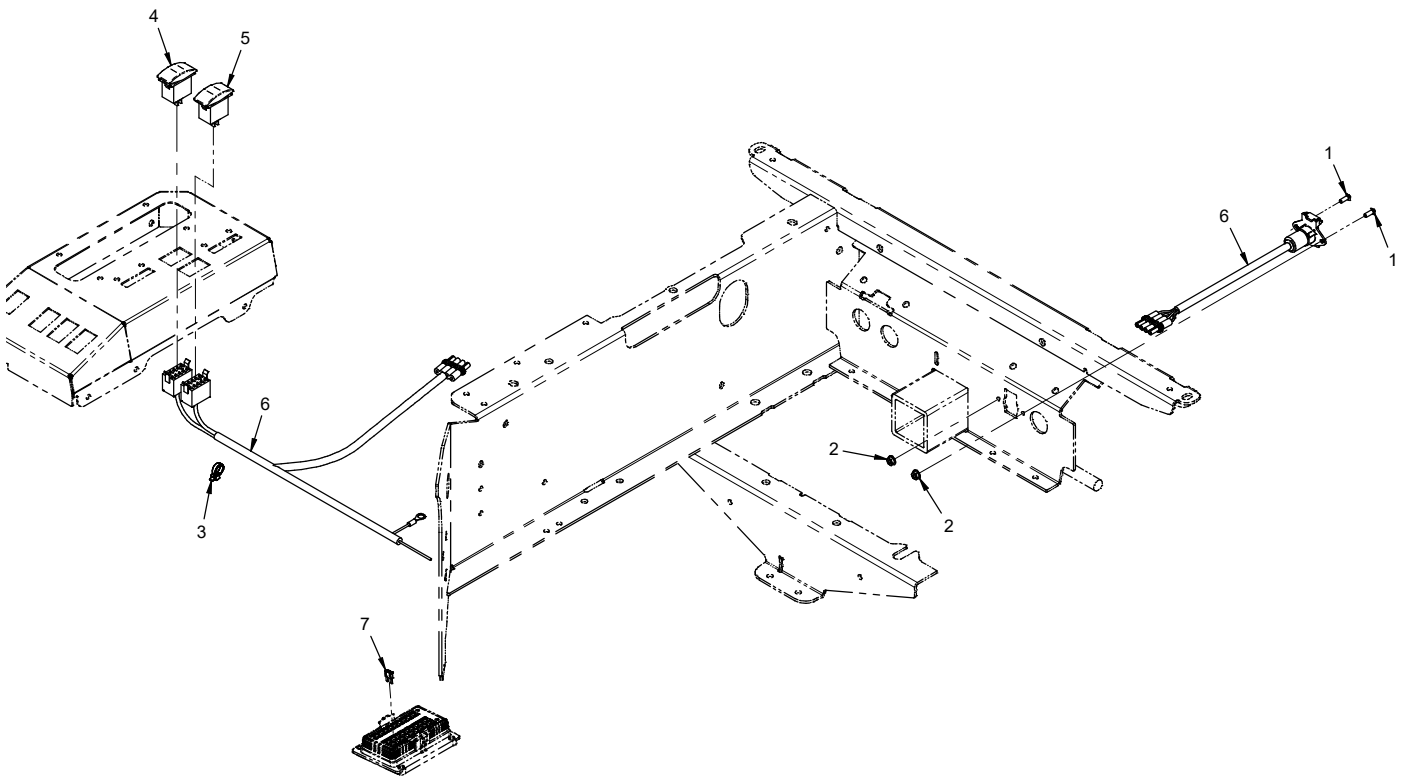
# OPTIONS

## 70.3036 12 Volt Front Kit

REF.	PART NO.	DESCRIPTION	QTY.
1	99.K0062	.MACHINE SCREW, #10-32 X 1/2	2
2	99.E0035	.NUT, SRF #10-32	2
3	99.E0058	.NUT, JAM 1/2-13 USS	1
4	30.0037	.TYTON TIE, #50 .18 X 8 BLACK	2
5	00.0328	.DECAL, HANDLE 12V	1
6	30.0332	.FUSE, 5 AMP MINI TAN	1
7	30.0334	.FUSE, 15 AMP MINI BLUE	1
8	35.0117	.RELAY, 12V 35/20 AMP 280 MICRO	3
9	32.0148	.HARNESS, WIRE 12V FRONT	1
10	47.0318-2	.HANDLE, SDLA GRIP & POST 3400	1
25	47.0349	.BUTTON, SWITCH ORANGE (1/4" TALL)	1
25	47.0427	.BUTTON, SWITCH ORANGE (1/8" TALL)	1
26	47.0348	.BUTTON, SWITCH YELLOW (1/4" TALL)	1
26	47.0426	.BUTTON, SWITCH YELLOW (1/8" TALL)	1

# OPTIONS

## ILLUSTRATED DRAWING 70.3050 12 Volt Rear Kit



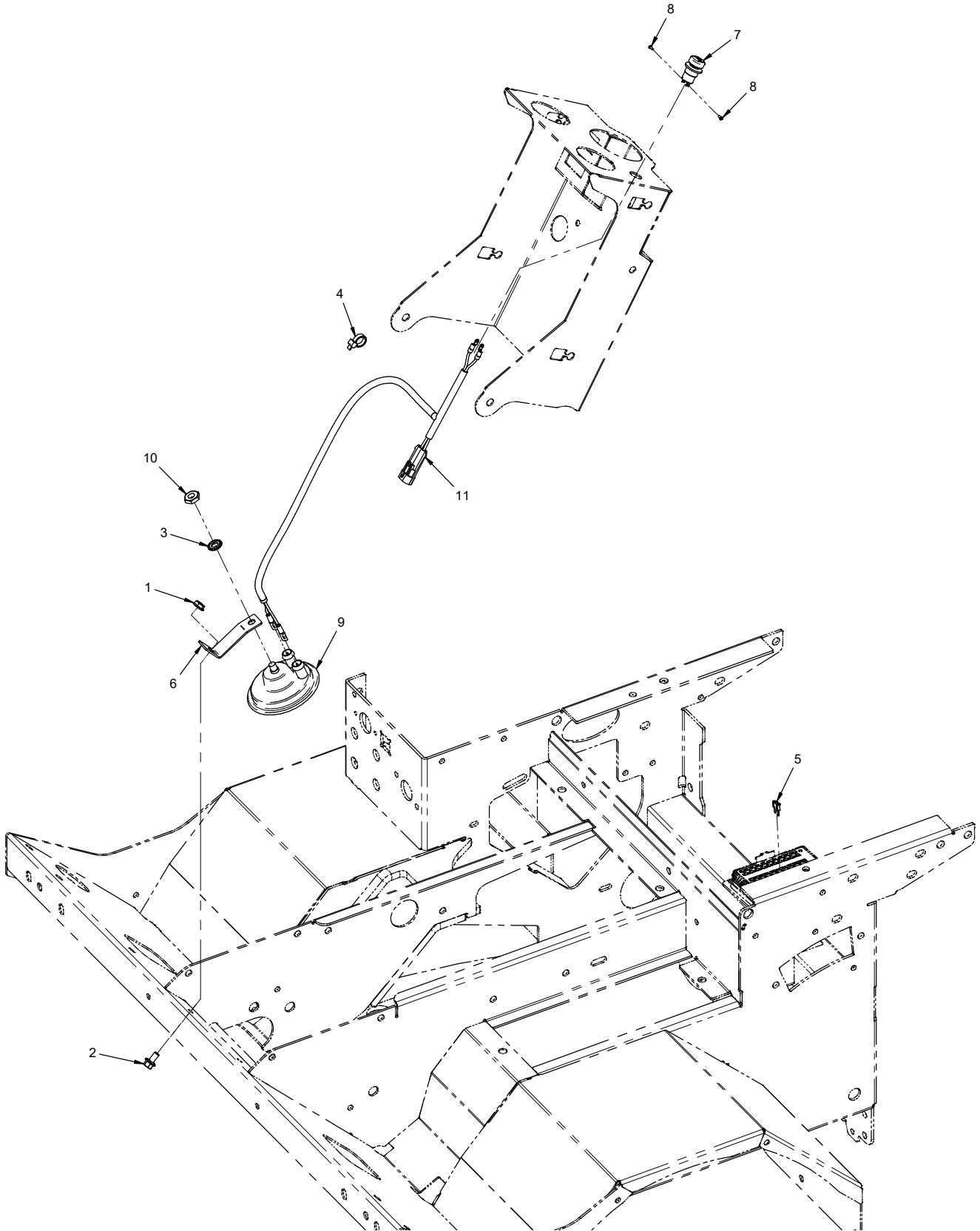
# OPTIONS

## 70.3050 12 Volt Rear Kit

REF.	PART NO.	DESCRIPTION	QTY.
1	99.K0062	MACHINE SCREW, #10-32 X 1/2	2
2	99.E0035	NUT, SRF #10-32	2
3	30.0037	TYTON TIE, #50 .18 X 8 BLACK	4
4	31.0053	SWITCH, ROCKER ON/OFF	1
5	31.0056	SWITCH, ROCKER (ON)/OFF/(ON)	1
6	32.0156	HARNESS, WIRE 12V REAR	1
7	30.0334	FUSE, 15 AMP MINI BLUE	1

# OPTIONS

## ILLUSTRATED DRAWING 70.3041 Horn Kit



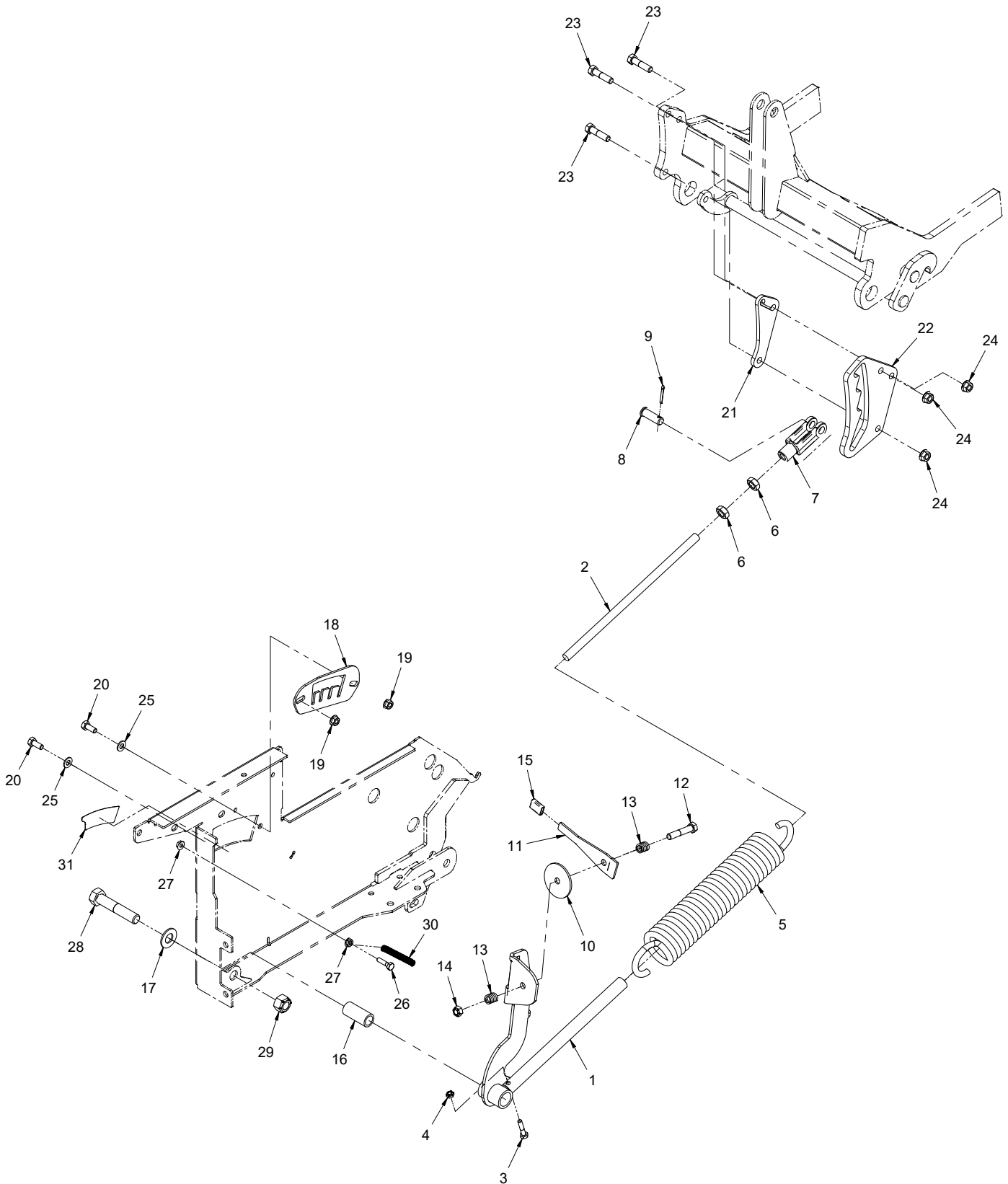
# OPTIONS

## 70.3041 Horn Kit

REF.	PART NO.	DESCRIPTION	QTY.
1	99.SF04	.NUT, SRF 1/4-20 USS.	1
2	99.SF0404-1	.BOLT, SMF 1/4-20 X 1/2	1
3	99.G0003	.WASHER, STAR-EXTERNAL 5/16	1
4	30.0037	.TYTON TIE, #50 .18 X 8 BLACK	3
5	30.0332	.FUSE, 5 AMP MINI TAN	1
6	64.1801	.BRACKET, HORN MOUNT	1
7	31.0057	.SWITCH, HORN	1
8	99.K0125	.MACHINE SCREW, #2-56 X 3/16.	2
9	33.0066	.HORN, DISC LOW TONE	1
10	99.M0043	.NUT, JAM M10 X 1.5.	1
11	32.0152	.HARNESS, WIRE HORN	1

# OPTIONS

## ILLUSTRATED DRAWING 70.3014 Weight Transfer Kit





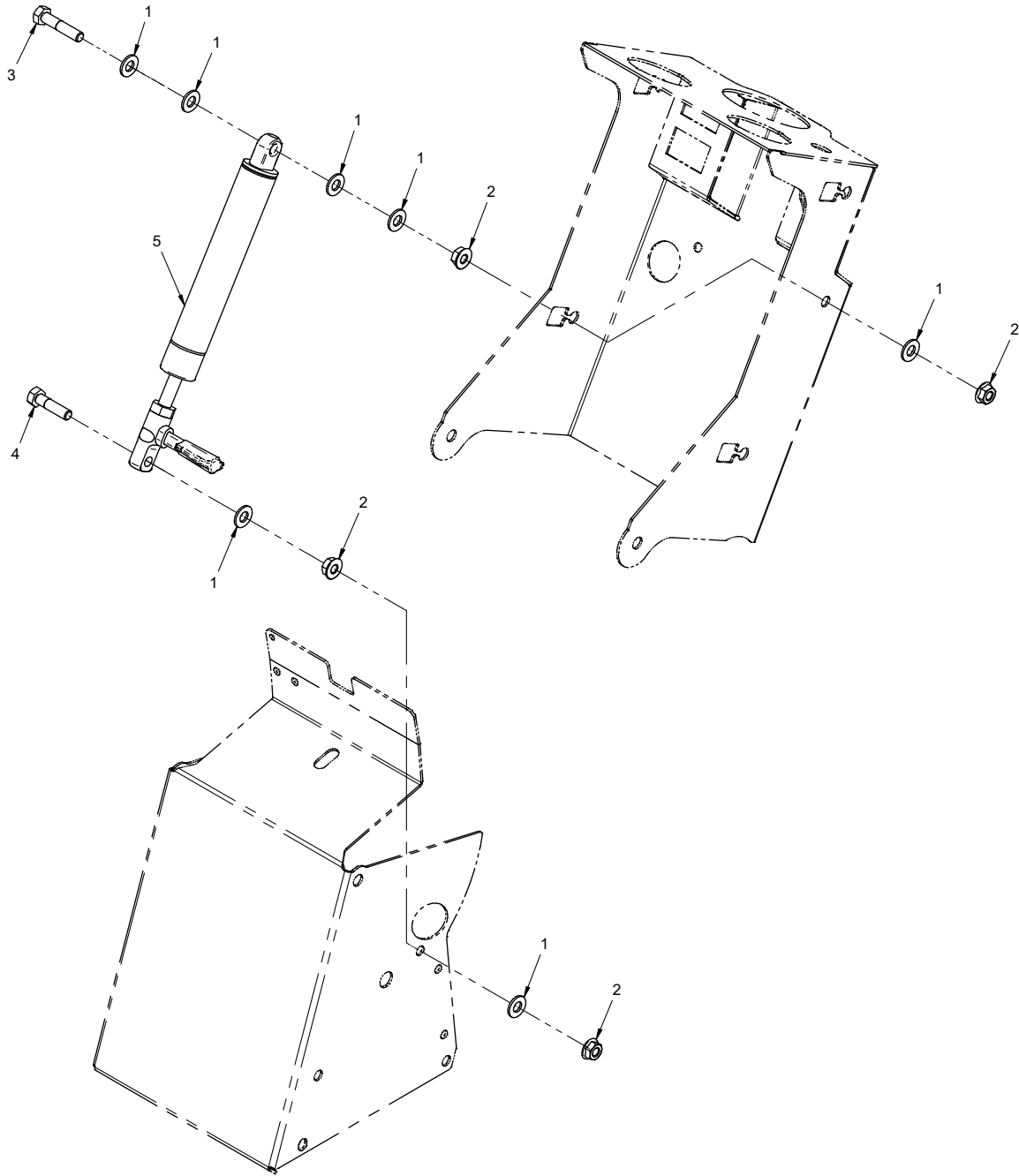
# OPTIONS

## 70.3014 Weight Transfer Kit

REF.	PART NO.	DESCRIPTION	QTY.
1	40.0341	.ARM, WEIGHT TRANSFER.	1
2	42.0517	.ROD, THREAD 1/2-20 X 12" LH/RH.	1
3	90.0410	.BOLT, 1/4-20 USS X 1/1-4"	1
4	99.A04	.LOCKNUT, STOVER 1/4-20 USS	1
5	41.0080	.SPRING, WEIGHT TRANSFER.	1
6	99.E0079	.NUT, JAM 1/2-20 RH ZP.	2
7	43.C08-1R	.CLEVIS END, 1/2-20 RH THREAD, YOKE	1
8	03.0812	.CLEVIS PIN, 1/2 X 1-1/2.	1
9	02.CP0408	.COTTER PIN, 1/8 X 1.	1
10	05.0002	.WASHER, FRIC. 2-1/4 X 13/32.	1
11	40.0343	.LEVER, WEIGHT TRANSFER.	1
12	90.0616	.BOLT, 3/8-16 USS X 2.	1
13	41.0039	.SPRING, COMP. 9/16 OD X 5/8.	2
14	99.A06N	.LOCKNUT, NYLON 3/8-16	1
15	06.0044	.CAP, PLASTIC 1/8 X 1/2 X 7/8	1
16	64.1269	.BUSHING, .635X 7/8X 1-7/8L.	1
17	95.10	.WASHER, FLAT 5/8 SAE	1
18	60.0972	.PLATE, WEIGHT TRANSFER INDEX.	1
19	99.SF05	.NUT, SRF 5/16-18 USS.	2
20	90.0506	.BOLT, 5/16-18 USS X 3/4"	2
21	64.1272	.SPACER, HITCH/WEIGHT TRANSFER.	1
22	64.1271	.PLATE, WT TRANSFER INDEX	1
23	90.0612	.BOLT, 3/8-16 USS X 1-1/2.	3
24	99.SF06	.NUT, SRF 3/8-16 USS.	3
25	95.05	.WASHER, FLAT 5/16 SAE	2
26	90.0406	.BOLT, 1/4-20 USS X 3/4"	1
27	99.SF04	.NUT, SRF 1/4-20 USS.	2
28	90.1026	.BOLT, 5/8-11 USS X 3-1/4.	1
29	99.A10	.LOCKNUT, STOVER 5/8-11 USS.	1
30	41.0086	.SPRING, EXT 3/8" OD X 4" LONG	1
31	00.0359	.DECAL, WEIGHT TRANSFER.	1

# OPTIONS

## ILLUSTRATED DRAWING 70.3019 Tilt Steering Kit



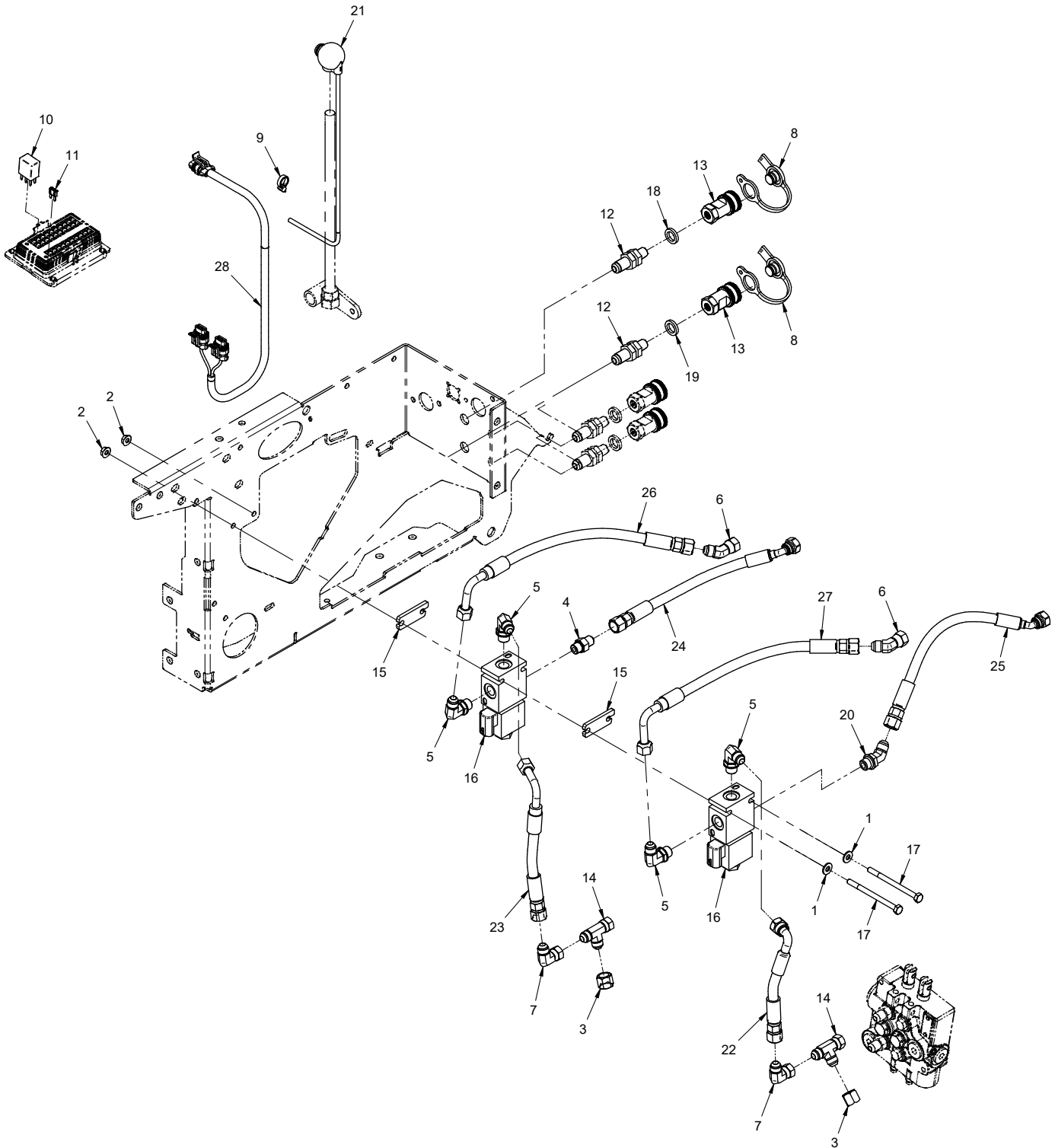
# OPTIONS

## 70.3019 Tilt Steering Kit

REF.	PART NO.	DESCRIPTION	QTY.
1	95.05	.WASHER, FLAT 5/16 SAE	7
2	99.SF05	.NUT, SRF 5/16-18 USS	4
3	90.0512	.BOLT, 5/16-18 USS X 1-1/2"	1
4	90.0510	.BOLT, 5/16-18 USS X 1-1/4"	1
5	47.0250	.SHOCK, GAS BLOC-O-LIFT LOCKING	1

# OPTIONS

## ILLUSTRATED DRAWING 70.3039 Dual Front Hydraulic Auxiliary Kit



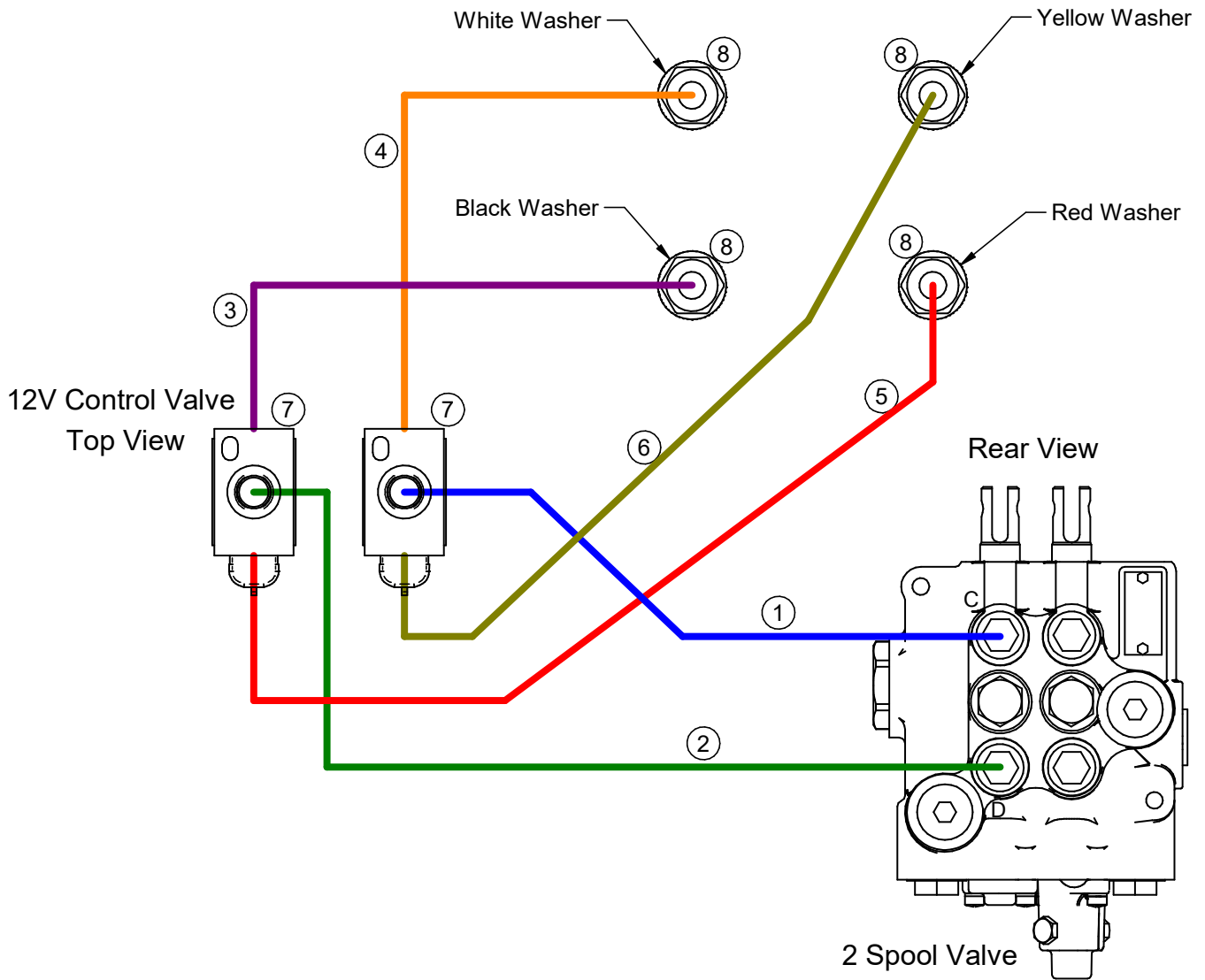
# OPTIONS

## 70.3039 Dual Front Hydraulic Auxiliary Kit

REF.	PART NO.	DESCRIPTION	QTY.
1	95.04	.WASHER, FLAT 1/4 SAE	2
2	99.SF04	.NUT, SRF 1/4-20 USS	2
3	25.304-C-06	.FITTING, CAP 3/8 #6 JIC	2
4	25.6400-06-06	.FITTING, M CONN 3/8 X 3/8	1
5	25.6801-06-06	.FITTING, 90 ME 3/8 X 3/8	4
6	25.6502-06-06	.FITTING, 45 MFE 3/8 X 3/8	2
7	25.6500-06-06	.FITTING, 90 MFE 3/8 X 3/8	2
8	23.0126	.PLUG, DUST FOR 23.0106	2
9	30.0037	.TYTON TIE, #50 .18 X 8 BLACK	5
10	35.0117	.RELAY, 12V 35/20 AMP 280 MICRO	1
11	30.0333	.FUSE, 10 AMP MINI RED	1
12	25.2706-04-06LN	.FITTING, BULKHEAD W/ LOCKNUT	2
13	23.0106	.COUPLER, HYDRAULIC QUICK - 1/4 FEMALE	2
14	25.6602-6-6-6	.FITTING, TEE SINGLE SWIVEL 3/8	2
15	64.1649	.PLATE, SPACER HYD VALVE	2
16	23.0164	.VALVE, DIRECTIONAL 12V	2
17	90.0428	.BOLT, 1/4-20 USS X 3-1/2"	2
18	05.0156	.WASHER, .544ID X .817 X 14 NAT	1
19	05.0157	.WASHER, .544 X .817 X 14 BLK	1
20	25.6802-06-06	.FITTING, 45 ME 3/8 X 3/8	1
21	47.0336	.HANDLE, GRIP W/SWITCH	1
22	20.0316	.HOSE, 1/4X5.750 SAE 100R17 AR	1
23	20.0315	.HOSE, 1/4X8.00 SAE 100R17 AR	1
24	20.0310	.HOSE, 1/4X12.00 SAE 100R17 AR	1
25	20.0310	.HOSE, 1/4X12.00 SAE 100R17 AR	1
26	20.0317	.HOSE, 1/4X14.00 SAE 100R17 AR	1
27	20.0317	.HOSE, 1/4X14.00 SAE 100R17 AR	1
28	32.0151	.HARNESS, DUAL HYDRAULIC	1

# OPTIONS

## ILLUSTRATED DRAWING Dual Front Hydraulic Auxiliary Diagram



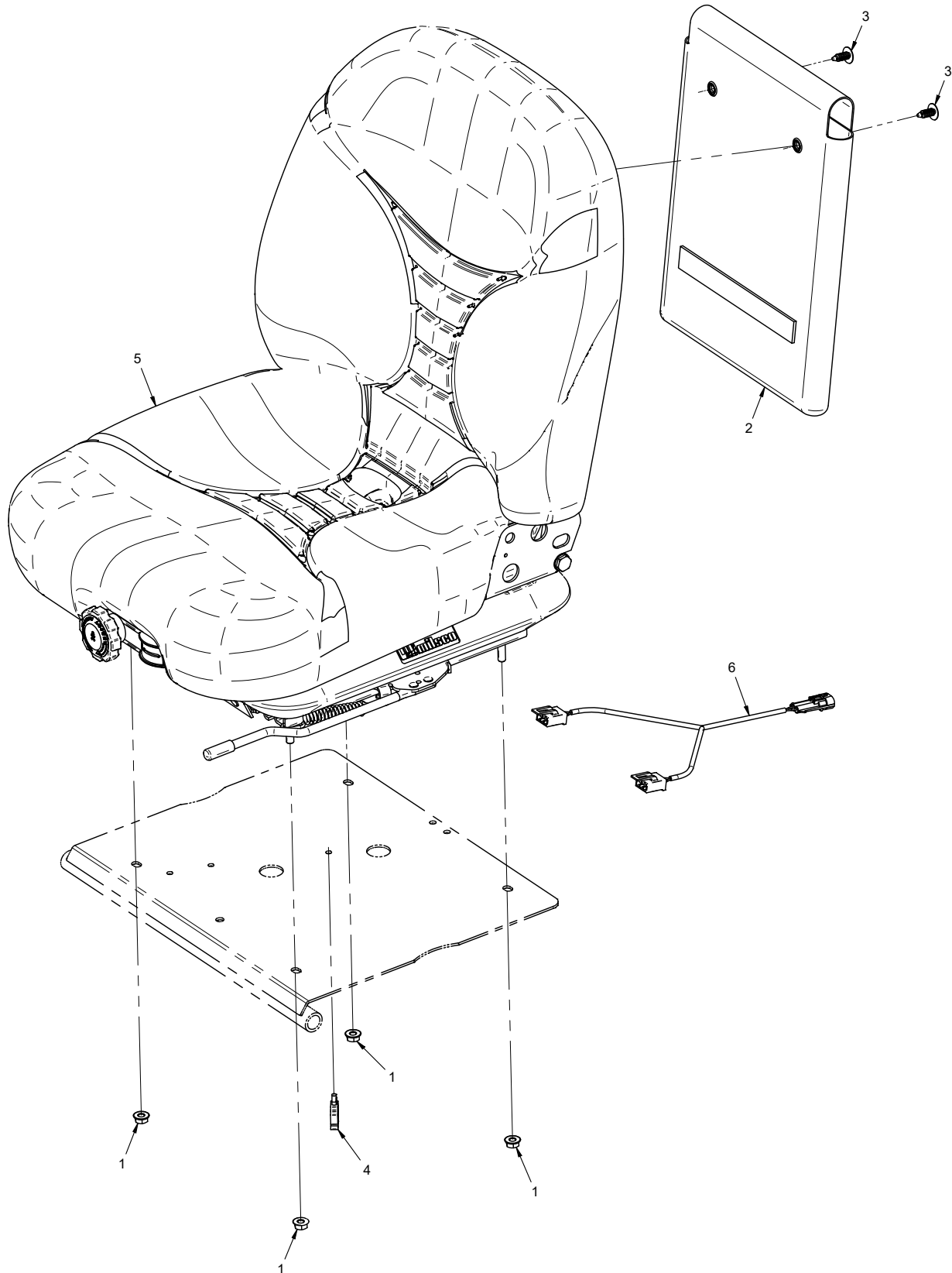
# OPTIONS

## Dual Front Hydraulic Auxiliary Diagram

REF.	PART NO.	DESCRIPTION	QTY.
1	20.0316	.HOSE, 1/4X5.75 SAE 100R17 AR	1
2	20.0315	.HOSE, 1/4X8.00 SAE 100R17 AR	1
3	20.0310	.HOSE, 1/4X12.00 SAE 100R17 AR	1
4	20.0310	.HOSE, 1/4X12.00 SAE 100R17 AR	1
5	20.0317	.HOSE, 1/4X14.00 SAE 100R17 AR	1
6	20.0317	.HOSE, 1/4X14.00 SAE 100R17 AR	1
7	23.0164	.VALVE, DIRECTIONAL 12V	2
8	23.0106	.COUPLER, HYDRAULIC QUICK - 1/4 FEMALE	4

# OPTIONS

## ILLUSTRATED DRAWING 70.3040 Suspension Seat Kit





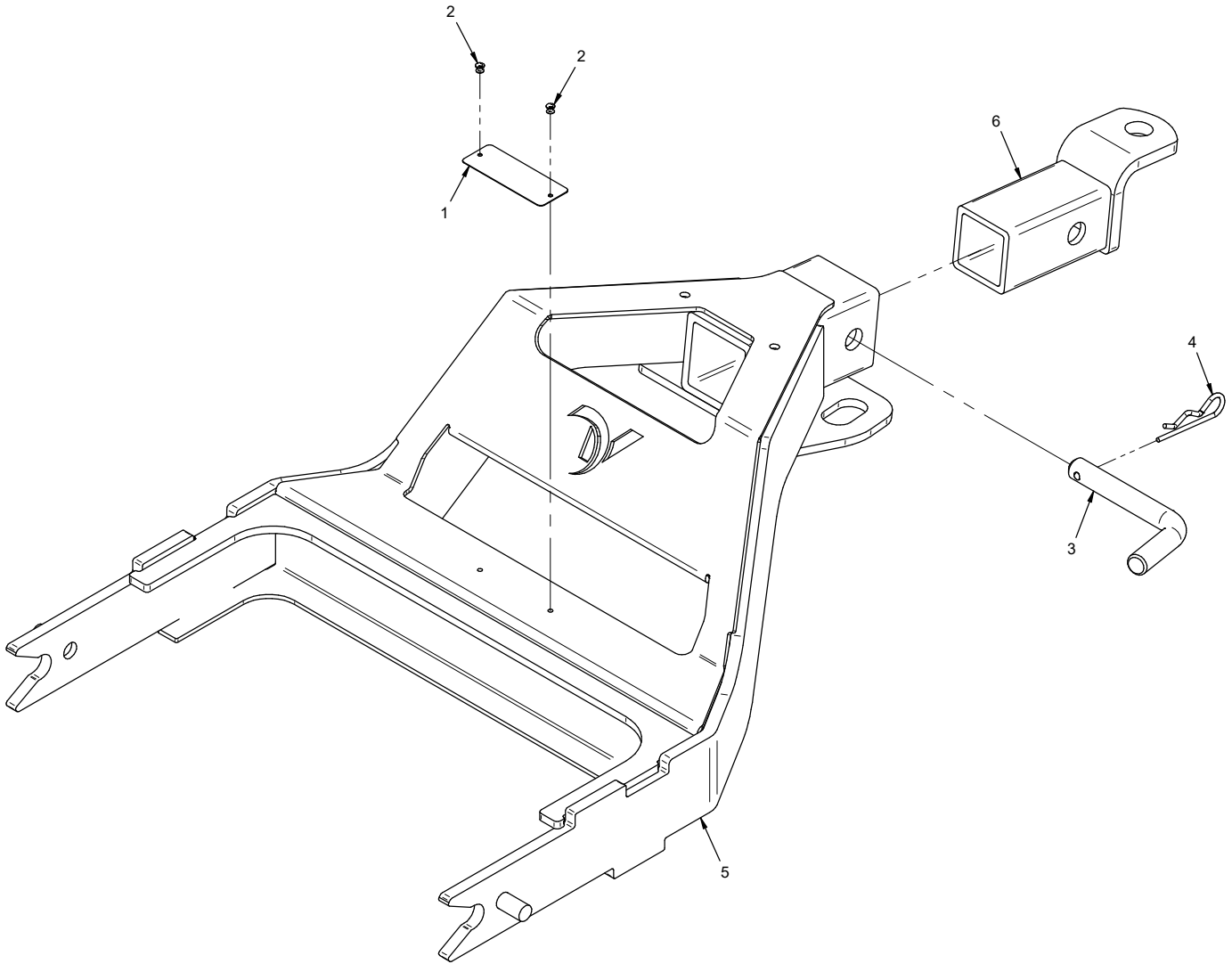
# OPTIONS

## 70.3040 Suspension Seat Kit

REF.	PART NO.	DESCRIPTION	QTY.
1	99.SF05	.NUT, SRF 5/16-18 USS	4
2	47.0362	.POUCH, LITERATURE	1
3	04.0035	.RIVET, PLASTIC 1/4	2
4	30.0135	.CLAMP, LOOM 3/8 ROSEBUD MOUNT	1
5	47.0324	.SEAT, SUSPENSION	1
	31.0062	.SWITCH, SEAT WITH RUBBER BOOT	2
6	32.0143	.HARNESS, 3400/4500 SEAT	1

# OPTIONS

## ILLUSTRATED DRAWING 70.2016 Trailer Mover Hitch



# OPTIONS

## 70.2016 Trailer Mover Hitch

REF.	PART NO.	DESCRIPTION	QTY.
1	N/A	.PLATE, VENTRAC SERIAL NUMBER	1
2	04.0007	.RIVET, POP DOME 1/8 X 1/8 S.S.	2
3	03.0014	.PIN, HITCH 5/8" X 3" USABLE	1
4	02.HP0420	.HAIRPIN, 1/8 X 2 1/2	1
5	62.1461	.FRAME, TOW HITCH	1
6	62.0968	.HITCH, REAR	1