



**PARTS
MANUAL**

WEATHER CAB

Model HW150





328 E Water St
P.O. Box 148

Phone: 330-683-0075
Fax: 330-683-0000
www.ventrac.com

TO THE OWNER

*Congratulations on the purchase of a new VENTRAC HW150 "**Weather Cab!** The purpose of this manual is to assist you in its safe and effective operation and maintenance.*

*With proper usage and care, the **Weather Cab** will provide many years of service. Please read and understand this manual entirely before first using the **Weather Cab**. Keep this manual on file for future reference.*

Please fill in the following information for future reference:

Date of Purchase: Month _____ Day _____ Year _____

Serial Number: _____

Dealer: _____

Dealer Address: _____

Dealer Phone Number: _____

Dealer FAX Number: _____

Venture Products Inc. reserves the right to make changes in design or specifications without incurring obligation to make like changes on previously manufactured products.

TABLE OF CONTENTS

DECALS **Section A**

Replacement Decal A 1

ELECTRICAL **Section B**

Wiring Diagram B 1 - 2

PARTS **Section C**

Cab Roof, Strobe Light C 1 - 2

Rear Light Panel C 1 - 2

Electrical Panel, Wiper Motor C 3 - 4

Front Light Panel C 3 - 4

Front Windshield C 5 - 6

Rear Cab Panel C 7 - 8

Front Posts, Canvas C 9 - 10

Right Window Panel C 11 - 12

Door Panel. C 13 - 14

OPTIONS **Section D**

Work Lights & Marker Lights D 1 - 2

Defroster Fan & Reverse Flow Fan D 1 - 2

Control Box Mount D 1 - 2

WARRANTY

PARTS

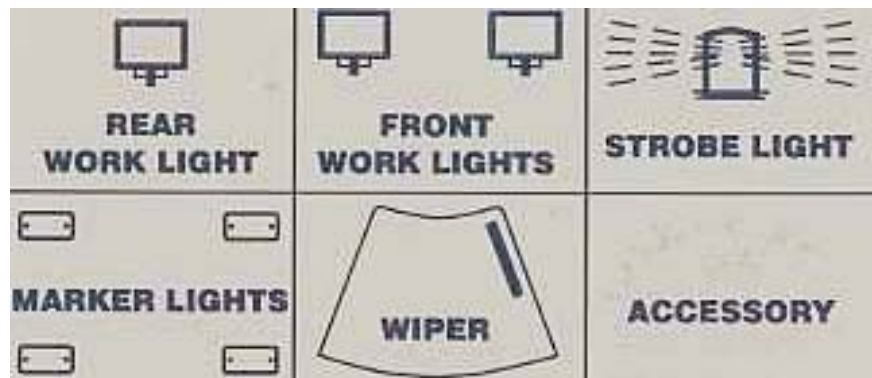
DECALS



00.0189



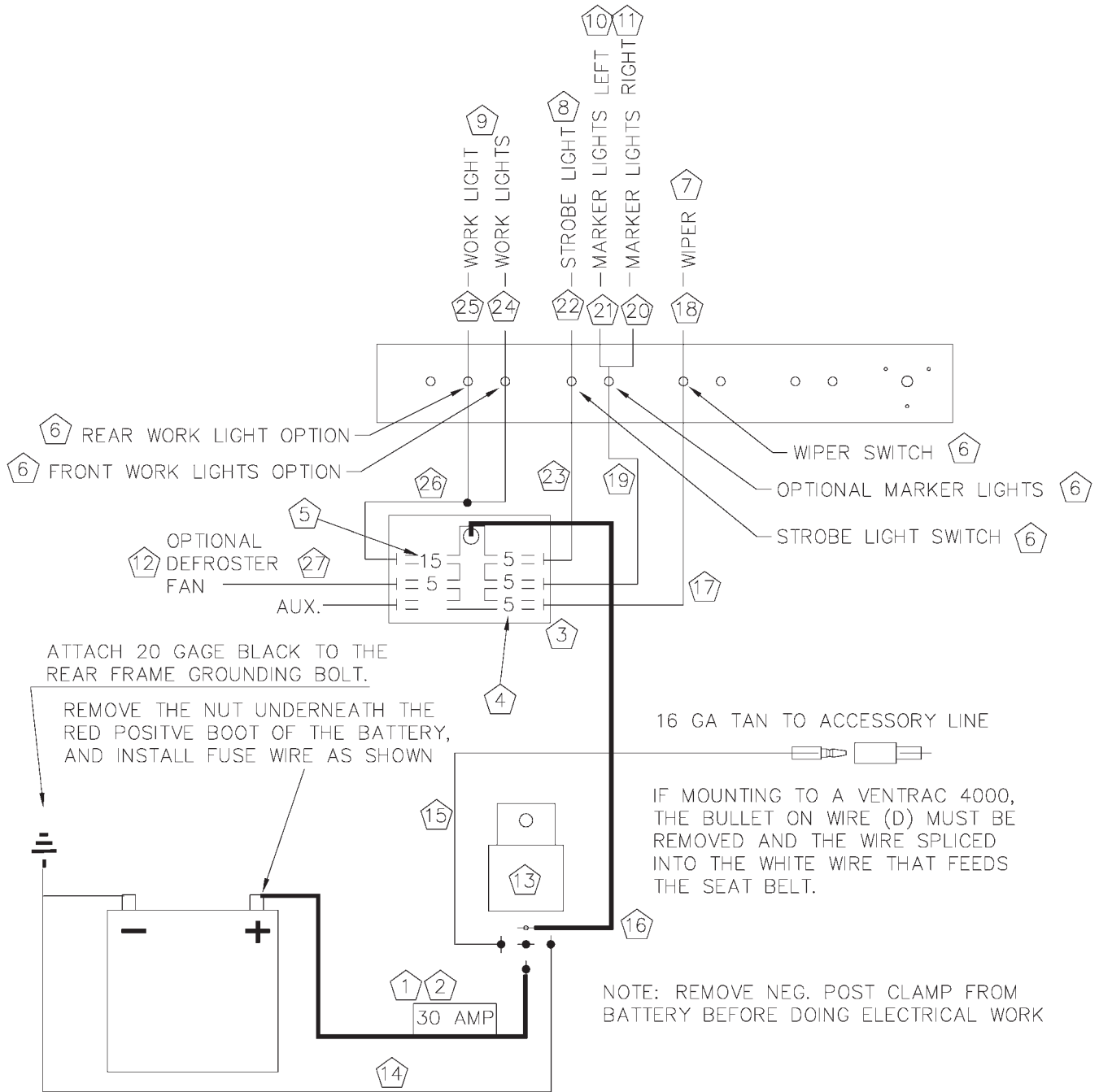
00.0128



00.0185

PARTS

ILLUSTRATED DRAWING WIRING DIAGRAM



PARTS

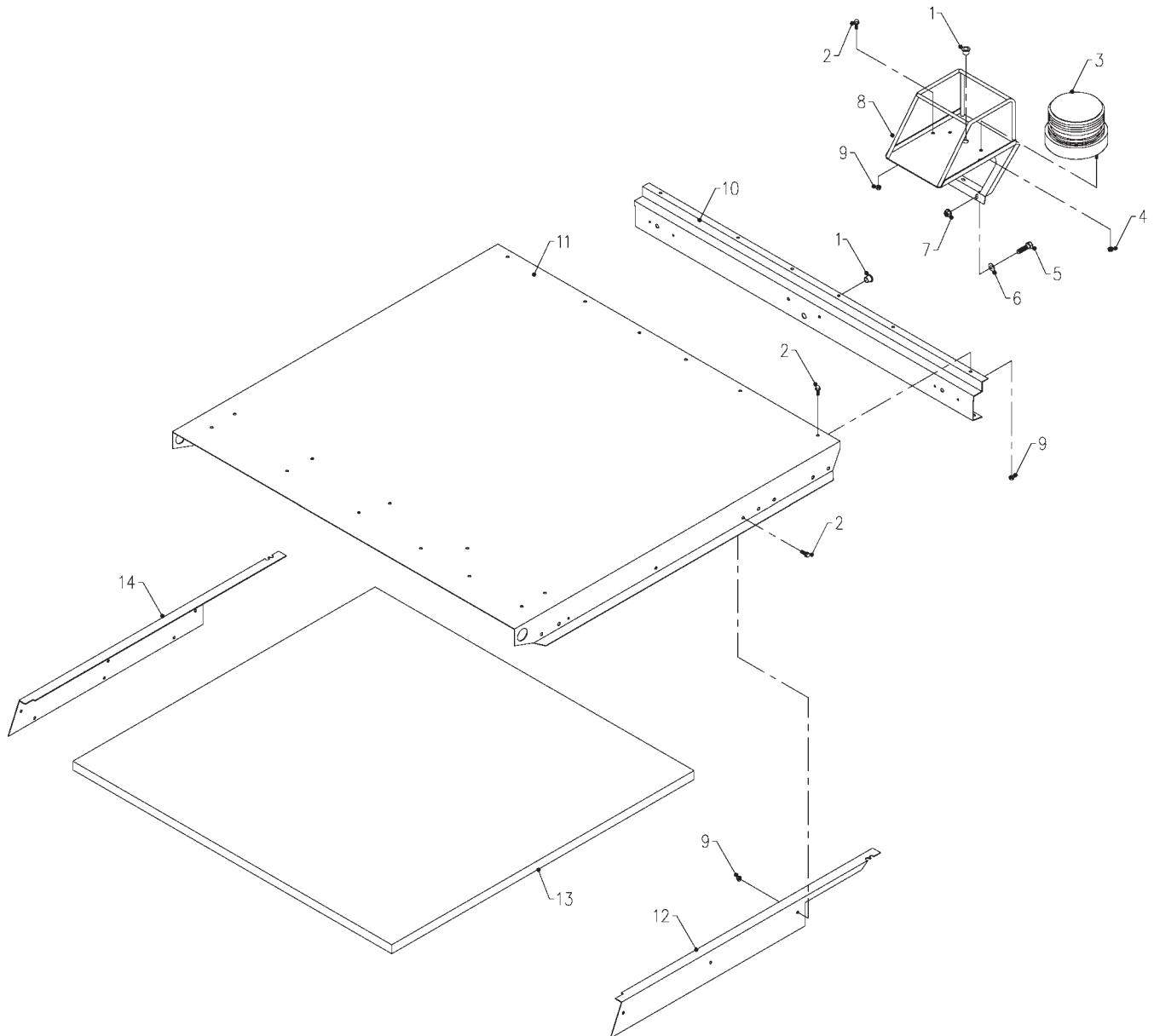
WIRING DIAGRAM

REF.	PART NO.	DESCRIPTION	QTY.
BASIC CAB UNIT WIRING			
1	30.0186.	In line Fuse Holder.	1
2	30.0197.	30 Amp Fuse	1
3	30.0167.	Fuse Panel.	1
4	30.0187.	5 Amp Fuse	2
6	31.0034.	Toggle Switch	2
7	37.0046.	Wiper Motor	1
8	33.0036.	Strobe Light	1
13	35.0097.	Relay.	1
14	34.1801-1004	18 Ga. Wire x 10" - Black	1
15	34.1611-1002.	16 Ga. Wire x 8" - Tan	1
16	34.1003-1002	10 Ga. Wire x 10 1/2" - Red	1
17	34.1608-1001	16 Ga. Wire x 21" - Violet	1
18	34.1608-1002	16 Ga. Wire x 10" - Violet	1
22	34.1609-1003	16 Ga. Wire x 80" - Grey.	1
23	34.1609-1002	16 Ga. Wire x 12" - Grey.	1
OPTIONAL WORK LIGHTS - KIT# 70.0090			
5	30.0166.	15 Amp Fuse	1
6	31.0034.	Toggle Switch	2
9	33.0021.	Work Lights	3
24	34.1604-1001	16 Ga. Wire x 85" - Orange	1
25	34.1612-2002	16 Ga. Wire x 24" - Pink	1
26	34.1610-2001	16 Ga. Wire x 10" - White	1
OPTIONAL DEFROSTER FAN - KIT# 70.0086			
4	30.0187.	5 Amp Fuse	1
12	37.0051.	Defroster Fan	1
27	34.1607-1001	16 Ga. Wire x 30" - Blue	1
OPTIONAL MARKER LIGHTS - KIT# 70.0091			
4	30.0187.	5 Amp Fuse	1
6	31.0034.	Toggle Switch	1
10	33.0035.	Amber Marker Lights.	2
11	33.0022.	Red Marker Lights	2
19	34.1811-1005.	18 Ga. Wire x 16" - Tan	1
20	34.1806-2001	18 Ga. Wire x 40" - Green	1
21	34.1805-2001	18 Ga. Wire x 40" - Yellow	1

REVISED 12-11-02

PARTS

ILLUSTRATED DRAWING CAB ROOF, REAR LIGHT PANEL, & STROBE LIGHT



PARTS

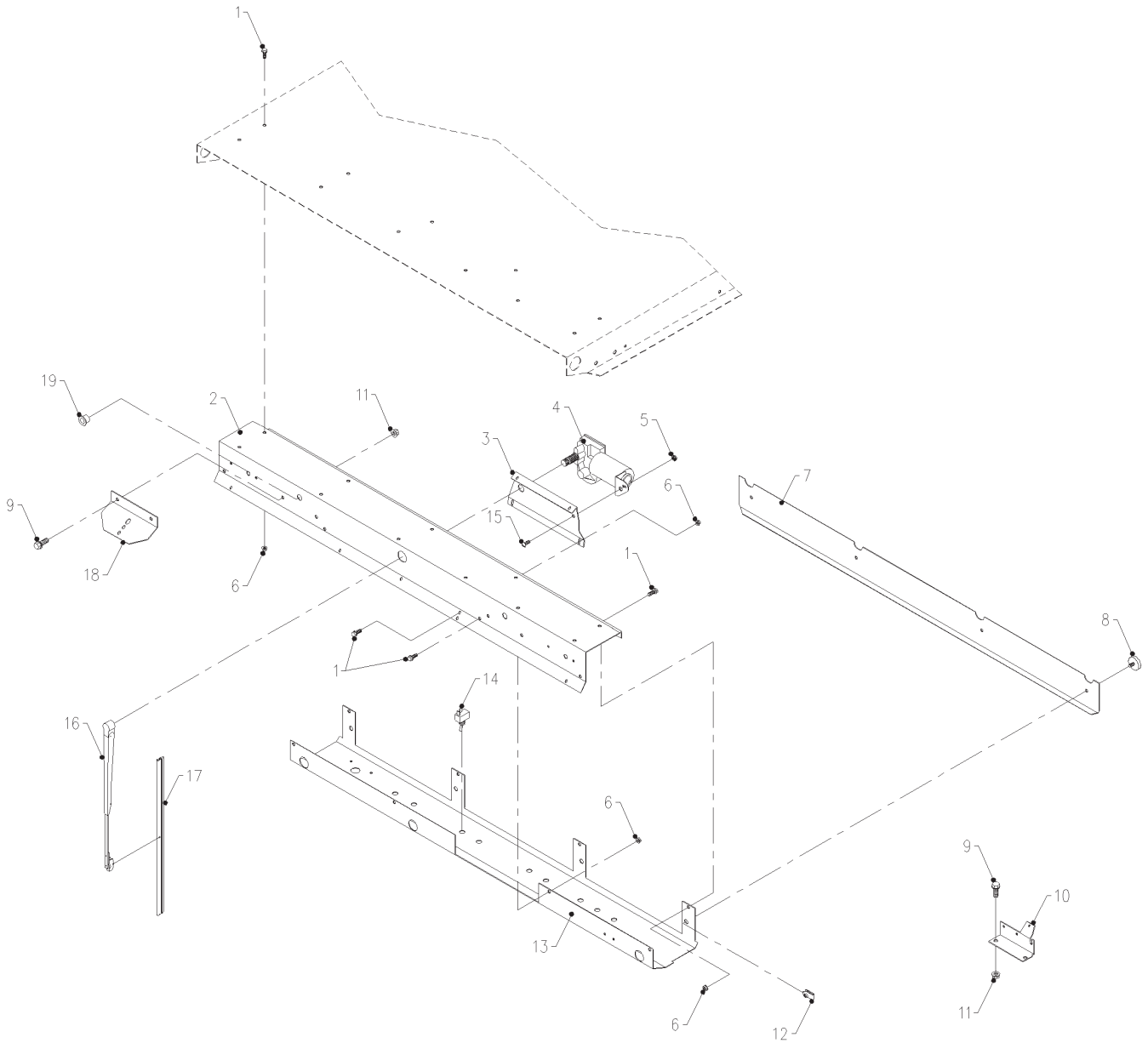
CAB ROOF, REAR LIGHT PANEL, & STROBE LIGHT

REF.	PART NO.	DESCRIPTION	QTY.
1	05.0072	Snap Bushing	1
2	99.SF0404-1	1/4-20 x 1/2 Flange Bolt w/Rubber	14
3	33.0036	Strobe Light	1
	33.0041	Replacement Bulb	1
	33.0042	Replacement Lens	1
4	99.E0033	10-24 Nut	2
<hr/>			
5	95.0506	5/16-18 x 3/4 Bolt	2
6	90.05	5/16 SAE Flat Washer	2
7	99.SF05	5/16-18 Flange Nut	2
8	62.0853	Strobe Light Mount.	1
9	99.SF04	1/4-20 Flange Nut	14
10	60.0745	Rear Light Panel	1
<hr/>			
11	60.0736	Cab Roof.	1
12	64.0837	Left Insulation Retainer	1
13	56.0057*	Roof Insulation (43-1/2W x 34L x 1T)*	1
14	64.0838	Right Insulation Retainer.	1

*56.0057 is sold by the foot. Specify length when ordering.

PARTS

ILLUSTRATED DRAWING ELECTRICAL PANEL, FRONT LIGHT PANEL, & WIPER MOTOR



REVISED 07-17-02

PARTS

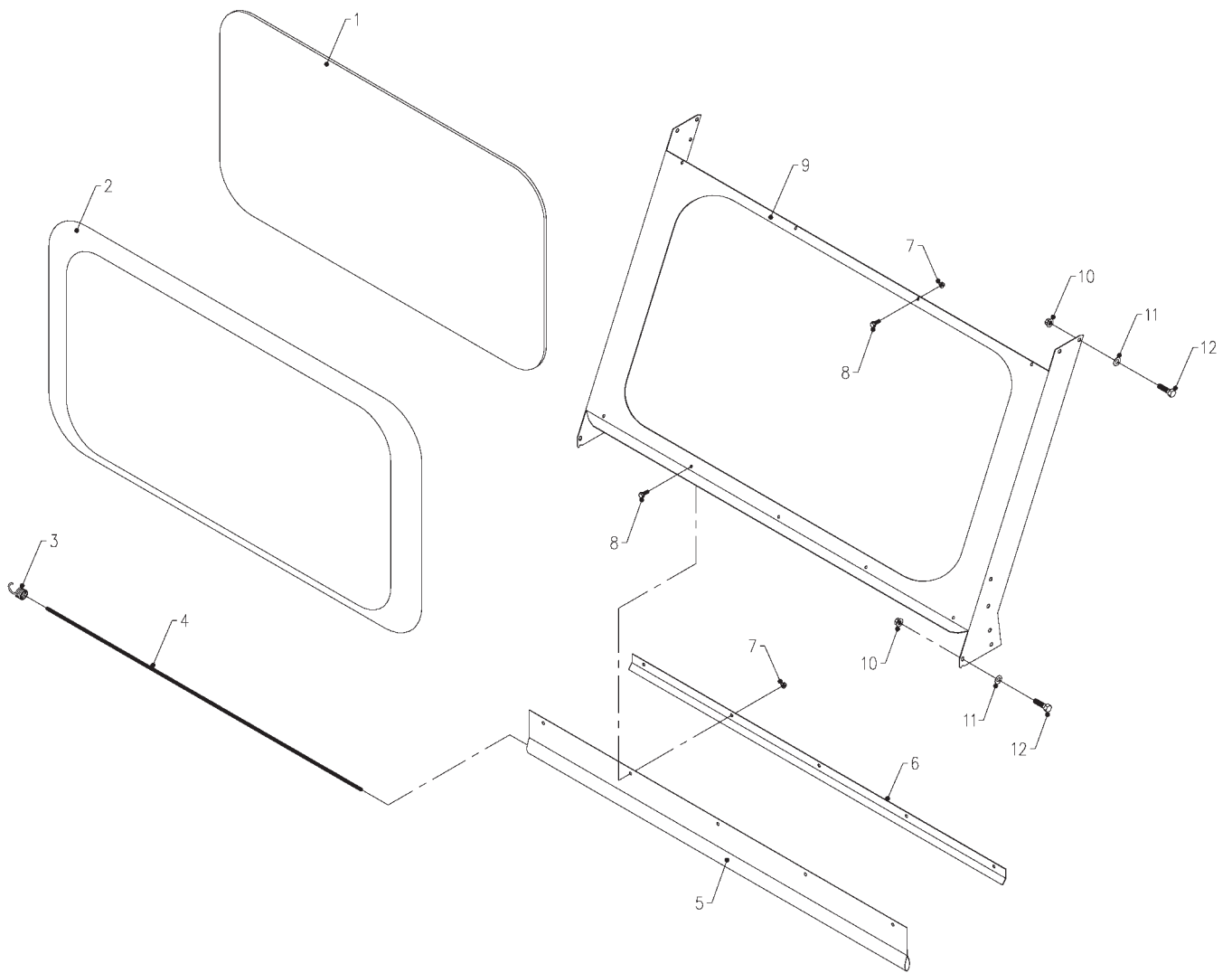
ELECTRICAL PANEL, FRONT LIGHT PANEL, & WIPER MOTOR

REF.	PART NO.	DESCRIPTION	QTY.
1	99.SF0404-1	1/4-20 x 1/2 Flange Bolt w/Rubber	20
2	60.0744.	Front Light Panel.	1
3	64.0848.	Wiper Mount Plate.	1
4	37.0046.	Windshield Wiper Motor	1
5	99.E0049.	10-32 Star Nut	1
6	99.SF04	1/4-20 Flange Nut.	20
7	60.0746.	Electrical Cover Plate	1
8	47.0167.	1/4-20 x 1-1/4 DIA Knob	4
9	99.SF0506	5/16-18 x 3/4 Flange Bolt	2
10	64.0849.	Power Supply Board	1
11	99.SF05	5/16-18 Flange Bolt	2
12	99.E0046.	1/4-20 U-Nut	4
13	60.0748.	Electrical Housing Panel.	1
14	31.0034.	Toggle Switch	2
15	99.K0062.	10-32 x 1/2 Machine Screw	1
16	47.0171.	Wiper Arm	1
17	47.0170.	16" Wiper Blade	1
18	64.0850.	Headlight Mount Plate	2
19	05.0072.	Snap Bushing	2

REVISED 07-17-02

PARTS

ILLUSTRATED DRAWING FRONT WINDSHIELD



PARTS

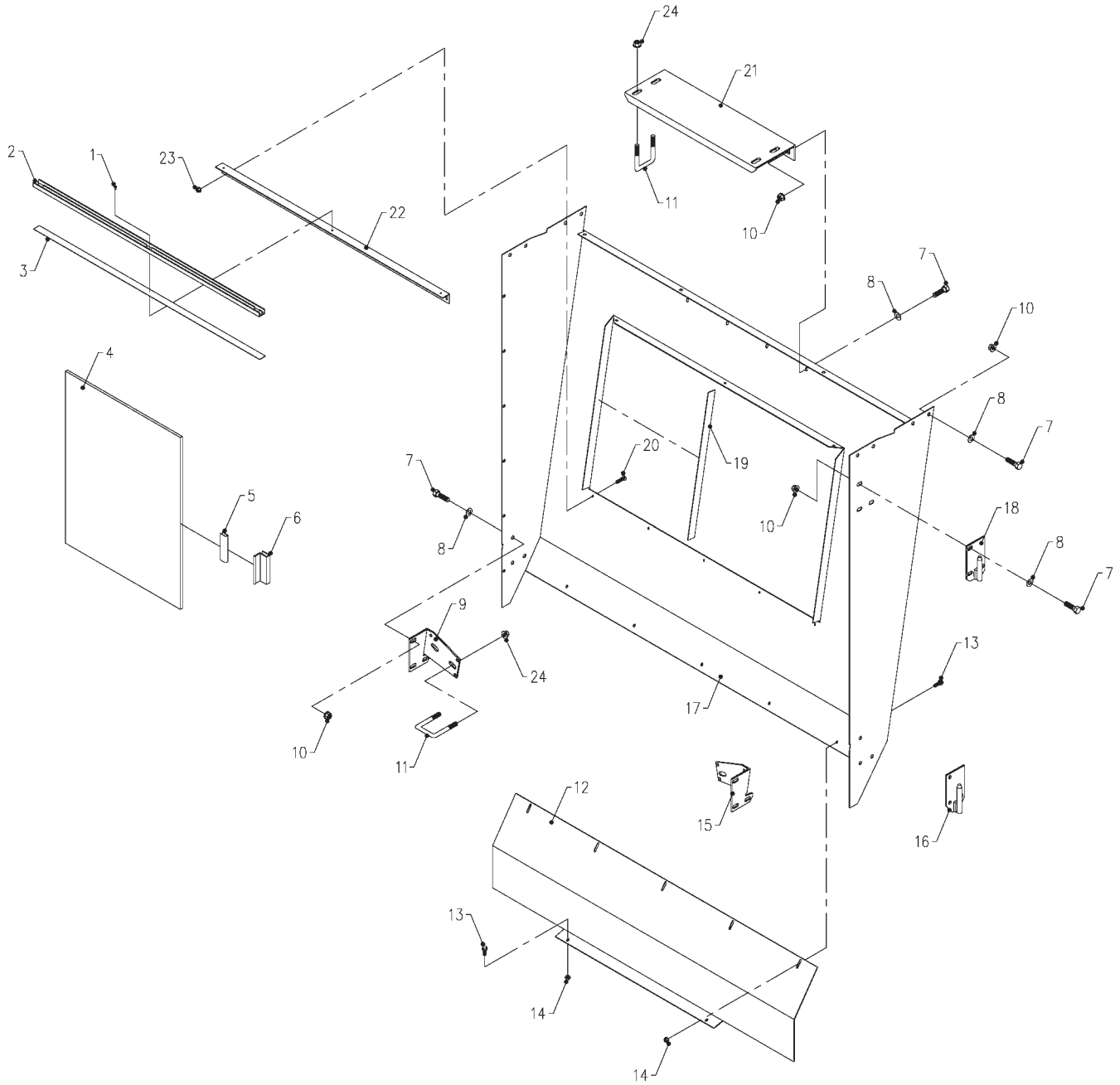
FRONT WINDSHIELD

REF.	PART NO.	DESCRIPTION	QTY.
1	44.0171	Windshield Panel	1
2	06.0048*	Rubber Pinch Weld x 108**	1
3	47.0169	Bungee End	2
4	47.0165*	Bungee Cord x 36**	1
5	44.0168	Windshield Canvas	1
6	44.0170	Canvas Clamp Bar	1
7	99.SF04	1/4-20 Flange Nut	9
8	99.SF0404-1	1/4-20 x 1/2 Flange Nut w/Rubber	9
9	60.0738	Windshield Frame	1
10	99.SF05	5/16-18 Flange Nut	8
11	95.05	5/16 SAE Flat Washer	8
12	90.0506	5/16-18 x 3/4 Bolt	8

*06.0048 and 47.0165 are sold by the foot. Specify length when ordering.

PARTS

ILLUSTRATED DRAWING REAR CAB PANEL



PARTS

REAR CAB PANEL

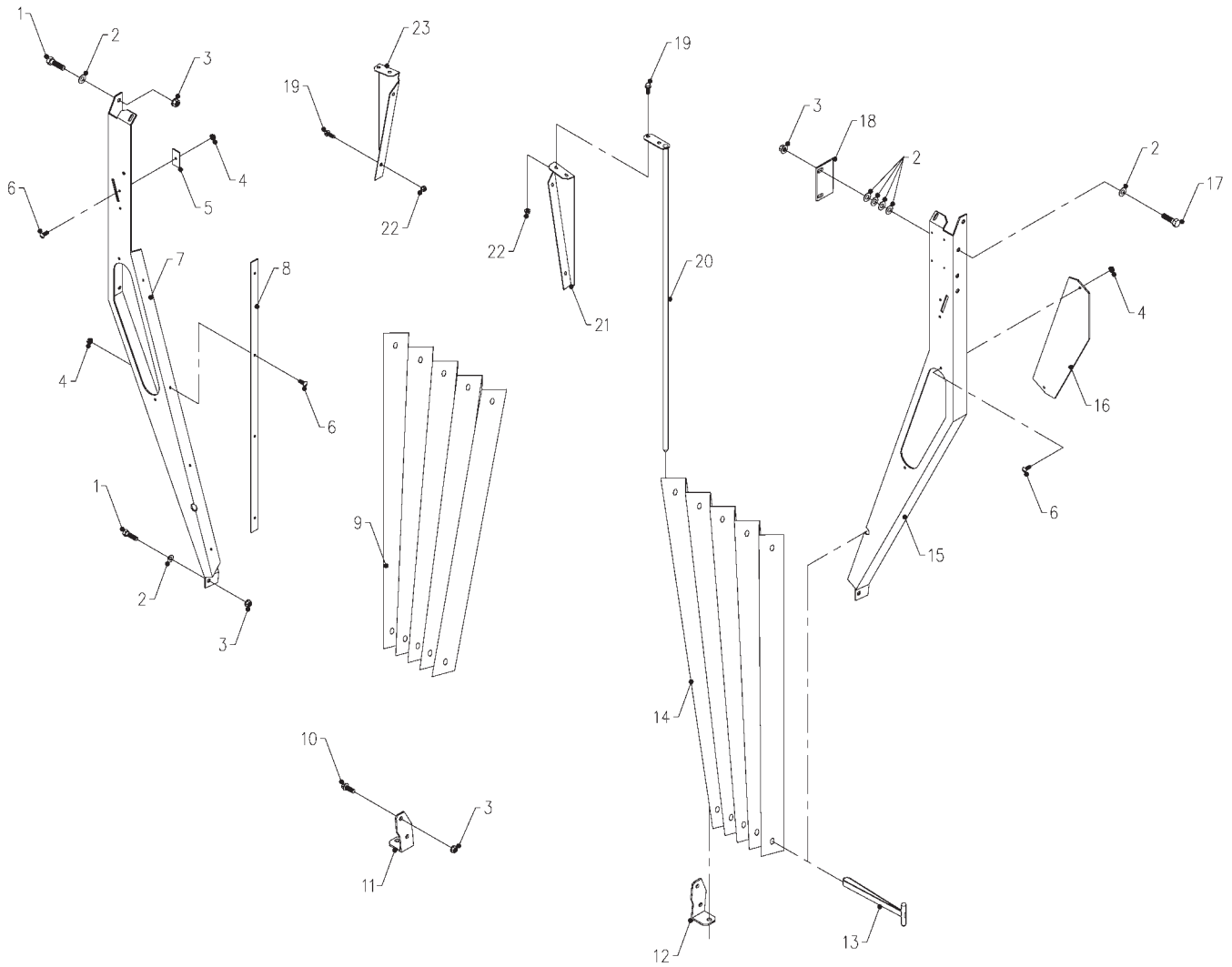
REF.	PART NO.	DESCRIPTION	QTY.
1	04.0003	1/8 x 3/8 Pop Rivet	6
2	44.0176	Window Track	2
3	08.5126*	2 Sided Tape x 28-1/2**	2
4	44.0174	Rear Window Panel	2
5	06.0054	Gripper Pad	1
6	47.0220	Window Handle	1
7	90.0506	5/16-18 x 3/4 Bolt	20
8	95.05	5/16 SAE Flat Washer	20
9	64.0846	Right Roll Bar Anchor	1
10	99.SF05	5/16-18 Flange Nut	20
11	11.0053	3/8-16 x 2" ID U-Bolt	4
12	60.0739	Lower Rear Enclosure Panel	1
13	99.SF04	1/4-20 x 1/2 Flange Bolt w/Rubber	7
14	99.SF0404-1	1/4-20 Flange Nut	7
15	64.0847	Left Roll Bar Anchor	1
16	62.0851	Lower Hinge Plate	1
17	60.0737	Rear Panel	1
18	62.0852	Upper Hinge Plate	1
19	06.0047*	3/16 x 3/4 Weatherstrip x 18-3/4**	2
20	99.K0062	10-32 x 1/2 Machine Screw	5
21	64.0845	Upper Roll Bar Anchor	1
22	64.0839	Bottom Window Slide	1
23	99.E0035	10-32 Flange Nut	5
24	99.SF06	3/8-16 Flange Nut	8

*06.0047 and 08.5126 are sold by the foot. Specify length when ordering.

REVISED 12-03-02

PARTS

ILLUSTRATED DRAWING FRONT POSTS & CANVAS



PARTS

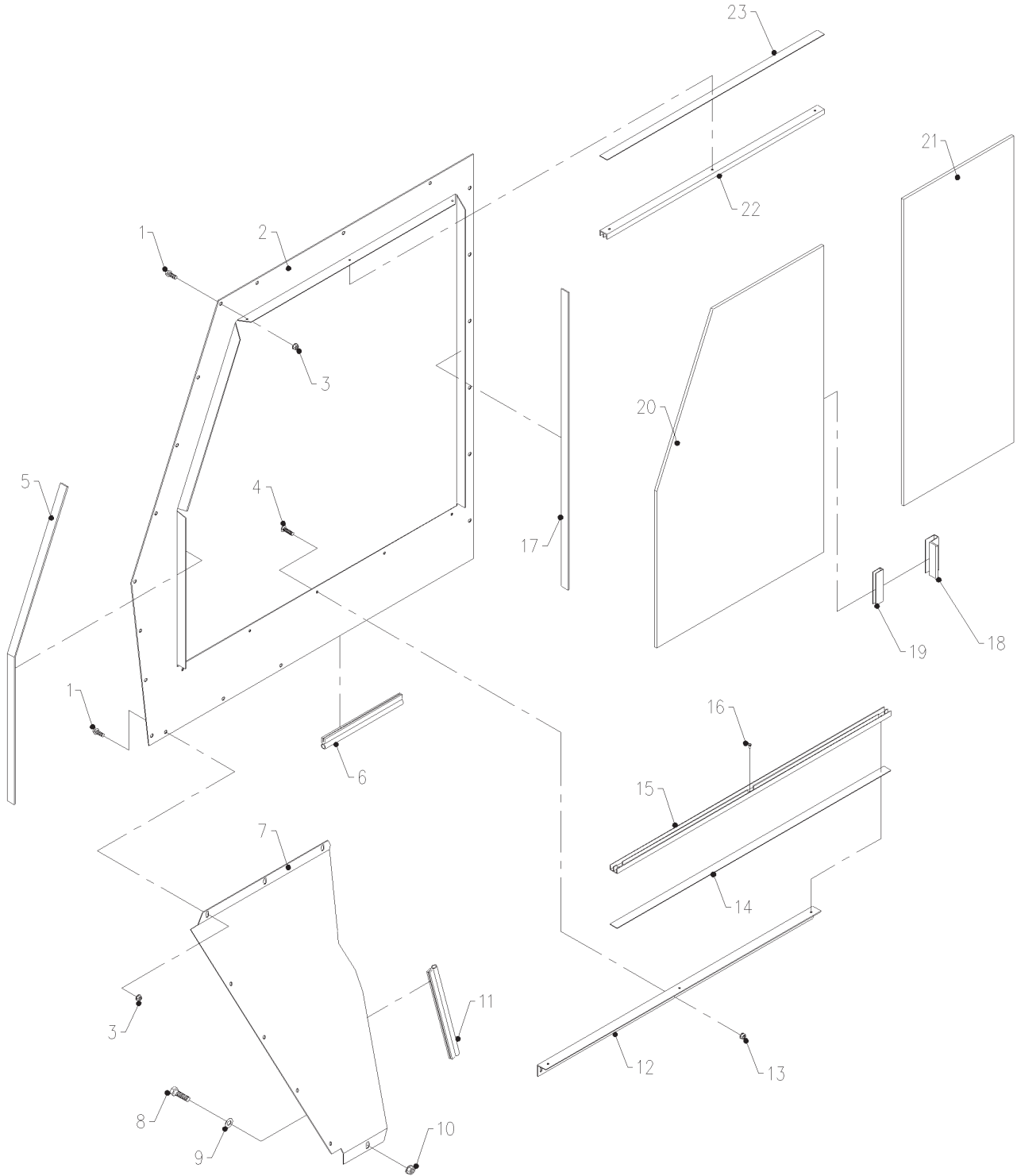
FRONT POSTS & CANVAS

REF.	PART NO.	DESCRIPTION	QTY.
1	90.0506	5/16-18 x 3/4 Bolt	10
2	95.05	5/16 SAE Flat Washer	20
3	99.SF05	5/16-18 Flange Nut	12
4	99.E0035	10-32 Flange Nut	14
5	64.0852	Canvas Clamp	2
6	99.K0062	10-32 x 1/2 Machine Screw	14
7	60.0743	Right Front Corner Post	1
8	44.0169	Canvas Clamp Bar	2
9	44.0179	Pleated Canvas (Right)	1
10	99.SF0506	5/16-18 x 3/4 Flange Bolt	4
11	64.0977*	Right Canvas Rod Anchor*	1
12	64.0976*	Left Canvas Rod Anchor*	1
13	47.0168	1/2 x 7 Rubber Band	4
14	44.0178	Pleated Canvas (Left)	1
15	60.0742	Left Front Corner Post	1
16	44.0165	Corner Post Window	2
17	90.0510	5/16-18 x 1-1/4 Bolt	2
18	64.0844	Latch Plate	1
19	99.SF0404-1	1/4-20 x 1/2 Flange Bolt w/Rubber	8
20	64.0842	Canvas Rod	2
21	64.0840	Left Dash Plate	1
22	99.SF04	1/4-20 Flange Nut	8
23	64.0841	Right Dash Plate	1

*64.0976 & 64.0977 are not used on the 4000 series tractor.

PARTS

ILLUSTRATED DRAWING RIGHT WINDOW PANEL



REVISED 12-04-02

PARTS

RIGHT WINDOW PANEL

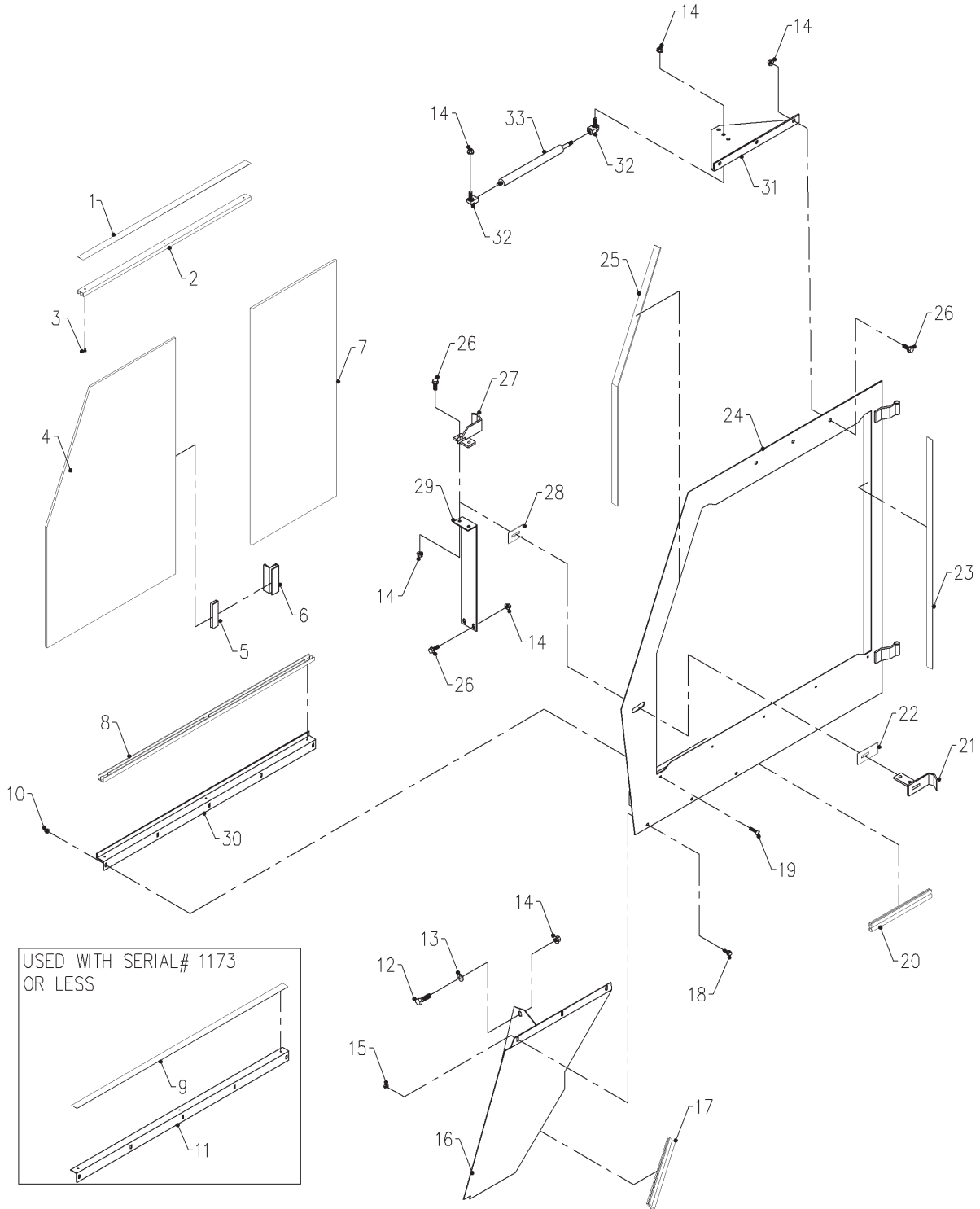
REF.	PART NO.	DESCRIPTION	QTY.
1	99.SF0404-1	1/4-20 x 1/2 Flange Bolt w/Rubber	24
2	60.0740	Right Window Panel	1
3	99.SF04	1/4-20 Flange Nut	24
4	99.K0062	10-32 x 1/2 Machine Screw	5
5	06.0047*	3/16 x 3/4 Weatherstrip x 28-1/2**	1
6	06.0043*	Trim Seal w/Bulb x 19**	1
7	60.0741	Right Lower Panel	1
8	90.0506	5/16-18 x 3/4 Bolt	1
9	95.05	5/16 SAE Flat Washer	1
10	99.SF05	5/16-18 Flange Nut	1
11	06.0043*	Trim Seal w/Bulb x 25**	1
12	64.0839	Bottom Window Slide	1
13	99.E0035	10-32 Flange Nut	5
14	08.5126*	2 Sided Tape x 28-1/2**	1
15	44.0176	Bottom Window Track	1
16	04.0003	1/8 x 3/8 Pop Rivet	6
17	06.0047*	3/16 x 3/4 Weatherstrip x 27-1/4**	1
18	47.0220	Window Handle	1
19	06.0054	Gripper Pad	1
20	44.0172	Side Window Panel (Front)	1
21	44.0173	Side Window Panel (Rear)	1
22	44.0175	Top Window Track	1
23	08.5126*	2 Sided Tape x 22-5/8**	1

*06.0043, 06.0047, and 08.5126 are sold by the foot. Specify length when ordering.

REVISED 12-03-02

PARTS

ILLUSTRATED DRAWING DOOR PANEL



REVISED 12-30-03

PARTS

DOOR PANEL

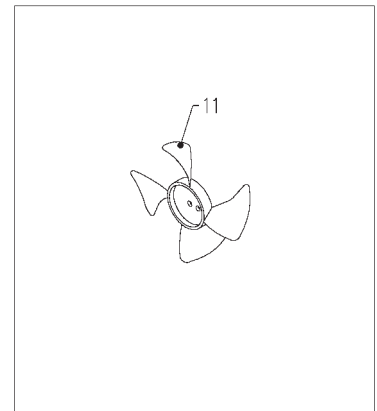
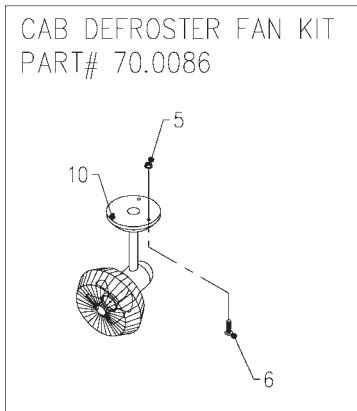
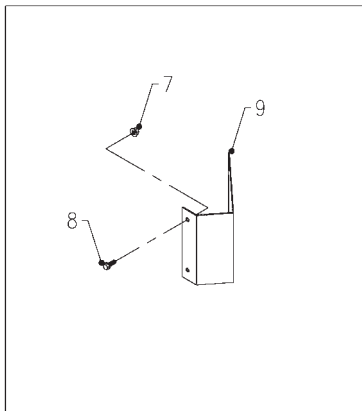
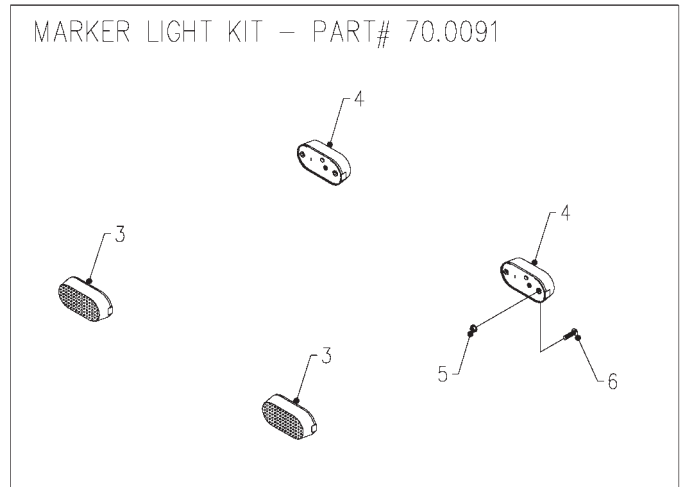
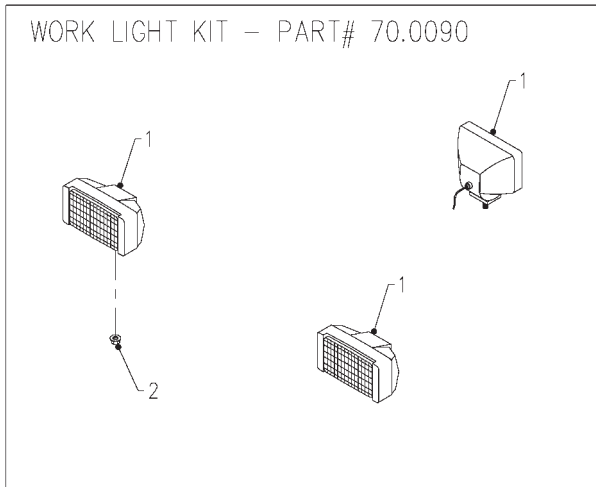
REF.	PART NO.	DESCRIPTION	QTY.
1	08.5126*	2 Sided Tape x 22-5/8**	1
2	44.0175.	Top Window Track	1
3	04.0003.	1/8 x 3/8 Pop Rivet.	6
4	44.0172.	Side Window Panel (Front)	1
5	06.0054.	Gripper Pad	1
6	47.0220.	Window Handle	1
7	44.0173.	Side Window Panel (Rear).	1
8	44.0176.	Bottom Window Track	1
9	08.5126*	2 Sided Tape x 28-1/2**	1
10	99.E0035.	10-32 Flange Nut	5
11	64.0839.	Bottom Window Slide	1
12	90.0506.	5/16-18 x 3/4 Bolt	1
13	95.05	5/16 SAE Flat Washer	1
14	99.SF05	5/16-18 Flange Nut	10
15	99.SF04	1/4-20 Flange Nut	3
16	60.0747.	Lower Door Panel	1
17	06.0043*	Trim Seal w/Bulb x 25**	1
18	99.SF0404-1	1/4-20 x 1/2 Flange Bolt w/Rubber.	3
19	99.K0062.	10-32 x 1/2 Machine Screw	5
20	06.0043*	Trim Seal w/Bulb x 19**	1
21	40.0276.	Outer Door Handle.	1
22	44.0166.	Outer Plastic Slide	1
23	06.0047*	3/16 x 3/4 Weatherstrip x 27-1/4**	1
24	62.0850.	Door Panel.	1
25	06.0047*	3/16 x 3/4 Weatherstrip x 28-1/2**	1
26	99.SF0506	5/16-18 x 3/4 Flange Bolt	7
27	40.0277.	Inner Door Handle	1
28	44.0167.	Inner Plastic Slide	1
29	64.0843.	Latch Spring Plate	1
30	64.1058.	Bottom Window Slide	1
31	64.1084.	Gas Spring Mount Bracket.	1
32	47.0226.	10MM Ball Socket	2
	47.0225.	10MM Ball Stud - 5/16-18 Thread	2
33	47.0102.	Gas Shock.	1

*06.0043, 06.0047, and 08.5126 are sold by the foot. Specify length when ordering.

REVISED 12-30-03

PARTS

ILLUSTRATED DRAWING WORK LIGHTS, MARKER LIGHTS, DEFROSTER FAN



PARTS

WORK LIGHTS, MARKER LIGHTS, DEFROSTER FAN

REF.	PART NO.	DESCRIPTION	QTY.
1	33.0021.	Work Light	3
2	99.SF05	5/16-18 Flange Nut	3
3	33.0035.	Amber Marker Light	2
4	33.0022.	Red Marker Light	2
5	99.E0049.	10-32 Star Nut.	11
6	99.K0062.	10-32 x 1/2 Machine Screw	11
<hr/>			
7	99.SF04	1/4-20 Flange Nut	2
8	99.SF0404-1	1/4-20 x 1/2 Flange Bolt w/Rubber.	2
9	64.0851.	Control Box Mount.	1
10	37.0051.	Defroster Fan	1
11	13.0074.	Reverse Flow Fan (Vanguard/Kubota).	1
.	14.0016*	Reverse Flow Fan (Kawasaki 22/27 HP)*	1

* 14.0016 includes four bolts needed to mount the fan to the
27 HP Kawasaki engine.

REVISED 12-11-02



LIMITED WARRANTY – VENTRAC TURF EQUIPMENT

Venture Products, Inc. (shall be referred to as *V.P.I.*) warrants on the terms and conditions herein, that it will repair, replace, or adjust any part manufactured by *Venture Products Inc.* and found by *Venture Products Inc* to be defective in material and / or workmanship.

Effective September 1st 2005, *Ventrac* warranty on Tractors & Attachments (excluding the HG100/HG150 generator) for **Residential use only** is limited to **Three (3) years** from original purchase date. *Ventrac* Tractors & Attachments used **Commercially or for any income producing purpose** is limited to **Two (2) years** from original purchase date. *Ventrac* ET200 turbine blower (turbine only) is limited to **Two (2) years** from original purchase date. *Ventrac* HG100/HG150 generator is limited to **One (1) year** from original purchase date. *Ventrac* Tractors & Attachments used for **Rental** is limited to **180 days** from original purchase date. (**NOTE:** All accessories such as: 3-point hitch, foot pedal, dual wheel kit, etc. will be covered under the above warranty periods as they would apply provided they are installed by an Authorized *Ventrac* Dealer.) This warranty may be transferred and will carry the remainder of the warranty starting from the Original Purchase/Registration date with the dealership and/or *V.P.I.* In the event that product/s originally registered as **(3) year Residential use** are to be transferred to a commercial user the warranty would change to the remainder of **(2) year Commercial use** starting from the Original Purchase/Registration date with the dealership and/or *V.P.I.*

If this warranty covers a consumer product as defined by the Magnusson-Moss warranty act, no warranties, express or implied, (including, but not limited to, the warranty of merchantability or fitness for a particular purpose) shall extend beyond the applicable time period stated in bold face type above.

If this warranty covers a product used commercially or for any income producing purpose, the foregoing warranties are in lieu of all other warranties and no representations, guarantees or warranties, express or implied, (including, but not limited to, a warranty of merchantability or fitness for a particular purpose), are made by *V.P.I.* in connection with the manufacture or sale of its products.

The engine warranty is covered by its respective engine manufacturer. Please refer to the engine manufacturer's warranty statement that is included in the owner's manual.

The *Ventrac* turf equipment, including any defective parts, must be returned to an Authorized *Ventrac* Dealer within the warranty period. The warranty shall extend to the cost to repair or replace (as determined by *V.P.I.*) the defective part. **The expense of pickup and delivery of equipment, service call drive time or any transportation expense incurred for warranty repair is the sole responsibility of the owner and is not covered under warranty by *Ventrac* and/or *V.P.I.*** *V.P.I.*'s responsibility in respect to claims is limited to making the required repairs or replacements, and no claim of breach of warranty shall be cause for cancellation or rescission of the contract of sale of any *Ventrac* equipment. Proof of purchase may be required by the dealer to substantiate any warranty claim. Only warranty work performed and submitted by an Authorized *Ventrac* Dealer may be eligible for warranty credit.

This warranty extends only to *Ventrac* turf equipment operated under normal conditions and properly serviced and maintained. The warranty expressly does **NOT** cover: (a) any defects, damage or deterioration due to normal use, wear and tear, or exposure; (b) normal maintenance services, such as cleaning, lubrication, oil change; (c) replacement of service items, such as oil, lubricants, spark plugs, belts, rubber hoses or other items subject to normal service replacement; (d) damage or defects arising out of, or relating to abuse, misuse, neglect, alteration, negligence or accident; (e) repair or replacement arising from



LIMITED WARRANTY – VENTRAC TURF EQUIPMENT

operation of, or use of the turf equipment which is not in accordance with operating instructions as specified in the operator's manual or other operational instructions provided by *V.P.I.*; (f) repair or replacement arising as a result of any operation from Ventrac turf equipment that has been altered or modified so as to, in the determination of *V.P.I.*, adversely affect the operation, performance or durability of the equipment or that has altered, modified or affected the turf equipment so as to change the intended use of the product; (g) repair or replacement necessitated by the use of parts, accessories or supplies, including gasoline, oil or lubricants, incompatible with the turf equipment or other than as recommended in the operator's manual or other operational instructions provided by *V.P.I.*; (h) repairs or replacements resulting from parts or accessories which have adversely affected the operation, performance or durability of the turf equipment; or (i) damage or defects due to or arising out of repair of *Ventrac* turf equipment by person or persons other than an authorized *Ventrac* service dealer or the installation of parts other than genuine *Ventrac* parts or *Ventrac* recommended parts.

The sole liability of *V.P.I.* with respect to this warranty shall be repair and replacement as set forth herein. *V.P.I.* shall have no liability for any other cost, loss, or damage. In particular *V.P.I.* shall have no liability or responsibility for: (i) expenses relating to gasoline, oil, lubricants; (ii) loss, cost or expense relating to transportation or delivery of turf equipment from the location of owner or location where used by owner to or from any Authorized *Ventrac* Dealer; (iii) travel time, overtime, after hours time or other extraordinary repair charges or charge relating to repairs or replacements outside of normal business hours at the place of business of an Authorized *Ventrac* Dealer; (iv) rental of like or similar replacement equipment during the period of any warranty repair or replacement work; (v) any telephone or telegram charges; (vi) loss or damage to person or property other than that covered by the terms of this warranty; (vii) any claims for lost revenue, lost profit or additional cost or expense incurred as a result of a claim of breach of warranty; or (viii) attorney's fees.

The remedies of buyer set forth herein are exclusive and are in lieu of all other remedies. The liability of *V.P.I.*, whether in contract, tort, under any warranty, or otherwise, shall not extend beyond its obligation as set forth herein. *V.P.I.* shall not be liable for cost of removal or installation nor shall *V.P.I.* be responsible for any direct, indirect, special or consequential damages of any nature. In no event shall *V.P.I.* be liable for any sum in excess of the price received for the goods for which liability is claimed.

There are no representations or warranties which have been authorized to the buyer of the turf equipment other than set forth in this warranty. Any and all statements or representations made by any seller of this equipment, including those set forth in any sales literature or made orally by any sales representative, are superseded by the terms of this warranty. Any affirmation of fact or promise made by *V.P.I.* or any of its representatives to the buyer which relates to the goods that are the subject to this warranty shall not be regarded as part of the basis of the bargain and shall not be deemed to create any express warranty that such goods shall conform to the affirmation or promise.

No employee, distributor, or representative is authorized to change the foregoing warranties in any way or grant any other warranty on behalf of *V.P.I.*

Some states do not allow limitations on how long an implied warranty lasts or allow the exclusion or limitation of incidental or consequential damages, so the above limitation or exclusion may not apply to you.

This warranty gives you specific legal rights, and you may also have other rights which vary from state to state.

This warranty applies to all *Ventrac* turf equipment sold in the United States and Canada.