



*Operator's Manual
& Parts Drawings*

LC 150

Stump Grinder

Europe C€





500 Venture Drive
Orrville Oh 44667
www.ventrac.com

View all manuals



Visit ventrac.com/manuals for the latest version of this operator's manual.

A downloadable parts manual is also available.

To the Owner Contact Information and Product Identification

If you need to contact an authorized Ventrac dealer for information on servicing your product, always provide the product model and serial numbers.

Please fill in the following information for future reference. See the picture(s) below to find the location of the identification numbers. Record them in the spaces provided.

Date of Purchase: _____

Dealer: _____

Dealer Address: _____

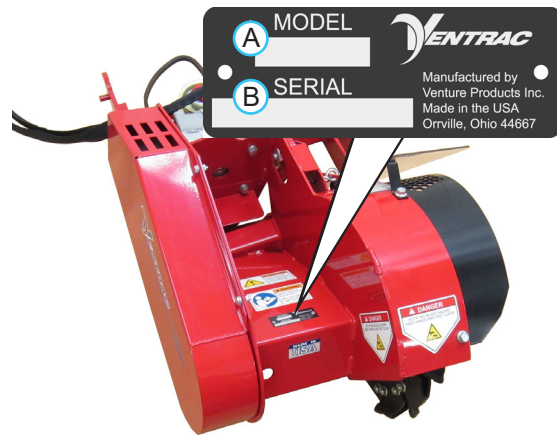
Dealer Phone Number: _____

Dealer Fax Number: _____

Model # (A): _____

Serial # (B): _____

Affix Part/Serial Number label here.



Venture Products Inc. reserves the right to make changes in design or specifications without obligation to make like changes on previously manufactured products.

TABLE OF CONTENTS

INTRODUCTION	PAGE 5
Product Description.....	5
Why Do I Need an Operator's Manual?	5
Using Your Manual	6
Manual Glossary	6
SAFETY	PAGE 7
Safety Decals	7
General Safety Procedures	9
Training Required.....	9
Personal Protective Equipment Requirements	9
Operation Safety	9
Preventing Accidents.....	10
Keep Riders Off.....	10
Operating On Slopes.....	11
Roadway Safety	11
Truck Or Trailer Transport.....	11
Maintenance.....	12
Fuel Safety	12
Hydraulic Safety	13
GENERAL OPERATION	PAGE 15
Daily Inspection.....	15
Attaching	15
Detaching	15
Operating Procedure.....	16
SERVICE	PAGE 17
Cleaning and General Maintenance.....	17
Belt Inspection.....	17
Rotor Drive Belt Replacement.....	17
Cutter Teeth Replacement	17
Lubrication Locations	18
Checking Gearbox Oil Level	18
Changing Gearbox Oil.....	18
Storage.....	18
Maintenance Schedule.....	19
Maintenance Checklist.....	19
SPECIFICATIONS	PAGE 20
Dimensions	20
Features	20
Noise Emissions.....	21
EC Declaration of Conformity.....	21

TABLE OF CONTENTS

PARTS	PAGE 22
Main Frame, Blade/Stand Frame, & Hydraulics.....	22
Belt Drive (Power Unit to Gearbox).....	24
Belt Drive (Gearbox to Cutter/Rotor).....	26
Rotor Shield, Belt Cover, & Safety Decals	28
WARRANTY	PAGE 30

INTRODUCTION



Venture Products Inc. is pleased to provide you with your new Ventrac stump grinder! We hope that Ventrac equipment will provide you with a ONE Tractor Solution.

Product Description

The Ventrac LC150 stump grinder is designed for quick removal of unwanted stumps and roots. Heavy duty carbide cutters provide extended and effective performance in spite of dirt, stones, and debris in the work area. The stump grinder mounted on a 3000 series power unit creates an agile, powerful machine for even the toughest jobs in the tightest places.

The multi-function arm is controlled by the power unit's auxiliary hydraulic lever. It can be used as a depth gauge to achieve a common grinding depth, a blade to refill the hole and level the area where the stump was ground down, and a stand to hold the stump grinder's hitch arms at the proper height for reattachment when removed from the power unit.

Why Do I Need an Operator's Manual?

This manual has been created to help you gain the important knowledge of what is needed to safely operate, maintain, and service your machine. It is divided into sections for convenient reference of the appropriate section.

You must read and understand the operator's manual for each piece of Ventrac equipment you own. Reading the operator's manual will help you become familiar with each specific piece of equipment. Understanding the operator's manual will help you, as well as others, avoid personal injury and/or damage to the equipment. Keep this manual with the machine at all times. The manual should remain with the machine even if it is sold. If this manual becomes damaged or unreadable, it should be replaced immediately. Contact your local Ventrac dealer for a replacement.

When using a Ventrac attachment, be sure to read and follow the safety and operating instructions of both the power unit and the attachment being used to ensure the safest operation possible.

The information in this manual provides the operator with the safest procedures to operate the machine while getting the maximum use out of the unit. Failure to follow the safety precautions listed in this manual may result in personal injury and/or damage to the equipment.

INTRODUCTION

Using Your Manual

Throughout this manual, you will encounter special messages and symbols that identify potential safety concerns to help you as well as others avoid personal injury or damage to the equipment.

SYMBOL DEFINITIONS



ATTENTION

This symbol identifies potential health and safety hazards. It marks safety precautions. Your safety and the safety of others is involved.

There are three signal words that describe the level of safety concern: Danger, Warning, and Caution. Safety should always be the #1 priority when working on or operating equipment. Accidents are more likely to occur when proper operating procedures are not followed or inexperienced operators are involved.

Note: Right-Hand and Left-Hand orientations may be referred to at different places throughout this manual. Right-Hand and Left-Hand is determined as if sitting on the power unit seat facing forward.

SIGNAL WORD DEFINITIONS

⚠ DANGER

Indicates an imminently hazardous situation which, if not avoided, will result in death or serious injury. This signal word is limited to the most extreme cases.

⚠ WARNING

Indicates a potentially hazardous situation which, if not avoided, could result in death or serious injury.

⚠ CAUTION

Indicates a potentially hazardous situation which, if not avoided, may result in minor or moderate injury and/or property damage. It may also be used to alert against unsafe practices.

Manual Glossary

Power Unit A Ventrac tractor or other Ventrac engine powered device that may be operated by itself or with an attachment or accessory.

Attachment A piece of Ventrac equipment that requires a Power Unit for operation.

Accessory A device that attaches to a Power Unit or Attachment to extend its capabilities.

Machine Describes any "Attachment" or "Accessory" that is used in conjunction with a power unit.

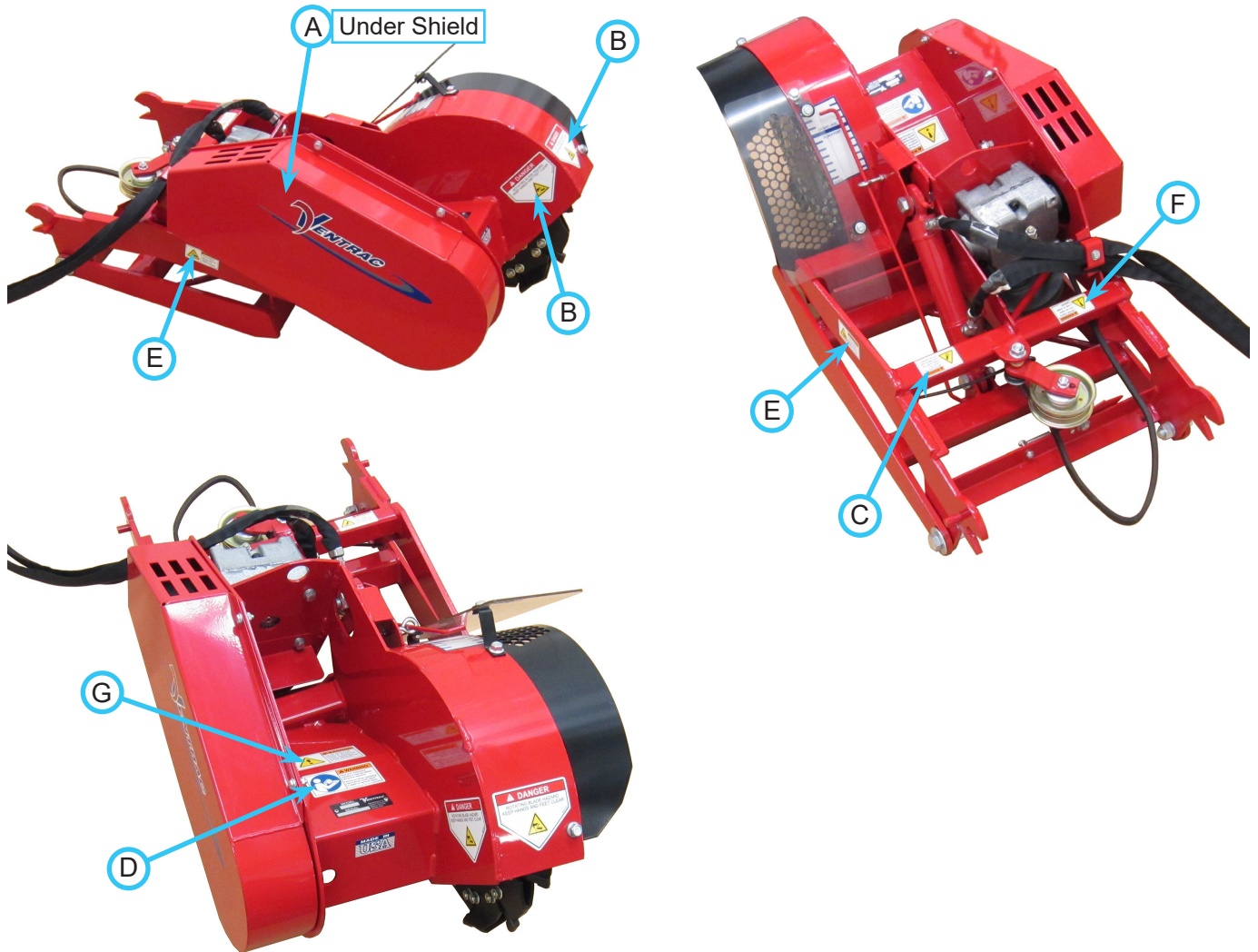
SAFETY

Safety Decals

The following safety decals must be maintained on your LC150 stump grinder.

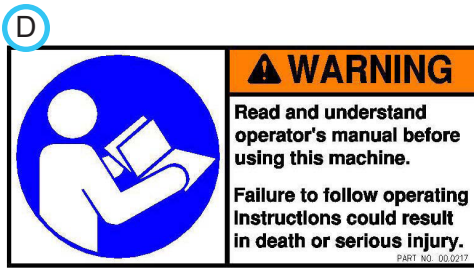
Keep all safety decals legible. Remove all grease, dirt, and debris from safety decals and instructional labels. If any decals are faded, illegible, or missing, contact your dealer promptly for replacements.

When new components are installed, be sure that current safety decals are affixed to the replacement components.



SAFETY

General Safety Procedures



Decal	Description	Part Number	Quantity
A	Danger, Shield Missing	00.0062	1
B	Warning, Keep Hands & Feet Clear	00.0123	2
C	Warning, Moving Parts	00.0216	1
D	Warning, Read Owner's Manual	00.0217	1
E	Warning, Pinch Point	00.0218	2
F	Warning, Do Not Reach	00.0219	1
G	Warning, General Safety	00.0220	1

SAFETY



General Safety Procedures for Ventrac Power Units, Attachments, & Accessories



Training Required

- The owner of this machine is solely responsible for properly training the operators.
- The owner/operator is solely responsible for the operation of this machine and prevention of accidents or injuries occurring to him/herself, other people, or property.
- Do not allow operation or service by children or untrained personnel. Local regulations may restrict the age of the operator.
- Before operating this machine, read the operator's manual and understand its contents.
- If the operator of the machine cannot understand this manual, then it is the responsibility of this machine's owner to fully explain the material within this manual to the operator.
- Learn and understand the use of all controls.
- Know how to stop the power unit and all attachments quickly in the event of an emergency.



Personal Protective Equipment Requirements

It is the responsibility of the owner to be sure that the operators use the proper personal protective equipment while operating the machine. Required personal protective equipment includes, but is not limited to, the following list.



- Wear a certified ear protection device to prevent loss of hearing.
- Prevent eye injury by wearing safety glasses while operating the machine.
- Closed toe shoes must be worn at all times.
- Long pants must be worn at all times.
- When operating in dusty conditions, it is recommended that a dust mask be worn.

Operation Safety

- Inspect machine before operation. Repair or replace any damaged, worn, or missing parts. Be sure guards and shields are in proper working condition and are secured in place. Make all necessary adjustments before operating machine.
- Some pictures in this manual may show shields or covers opened or removed in order to clearly illustrate any instructions. Under no circumstance should the machine be operated without these devices in place.
- Alterations or modifications to this machine can reduce safety and could cause damage to the machine. Do not alter safety devices or operate with shields or covers removed.
- Before each use, verify that all controls function properly and inspect all safety devices. Do not operate if controls or safety devices are not in proper working condition.
- Check parking brake function before operating. Repair or adjust parking brake if necessary.
- Observe and follow all safety decals.
- All controls are to be operated from the operator's station only.
- Always wear a seat belt if the machine has a roll cage/bar installed and in upright position.
- Ensure the attachment or accessory is locked or fastened securely to the power unit before operating.
- Ensure that all bystanders are clear of the power unit and attachment before operating. Stop machine if someone enters your work area.
- Always be alert to what is happening around you, but do not lose focus on the task you are performing. Always look in the direction the machine is moving.
- Look behind and down before backing up to be sure of a clear path.
- If you hit an object, stop and inspect the machine. Make all necessary repairs before operating machine again.
- Stop operation immediately at any sign of equipment failure. An unusual noise can be a warning of equipment failure or a sign that maintenance is required. Make all necessary repairs before operating machine again.

SAFETY



General Safety Procedures for Ventrac Power Units, Attachments, & Accessories



- If equipped with a high/low range feature, never shift between high and low range while on a slope. Always move the machine to level ground and engage the parking brake before shifting range.
- Do not leave machine unattended while it is running.
- Always park the machine on level ground.
- Always shut off engine when connecting attachment drive belt to the power unit.
- Never leave the operator's station without lowering the attachment to the ground, setting the parking brake, shutting off the engine, and removing the ignition key. Make sure all moving parts have come to a complete stop before dismounting.
- Never leave equipment unattended without lowering the attachment to the ground, setting the parking brake, shutting off the engine, and removing the ignition key.
- Only operate in well-lit conditions.
- Do not operate when there is a risk of lightning.
- Never direct the discharge of any attachment in the direction of people, buildings, animals, vehicles, or other objects of value.
- Never discharge material against a wall or obstruction. Material may ricochet back towards the operator.
- Use extra caution when approaching blind corners, shrubs, trees, or other objects that may obscure vision.
- Do not run the engine in a building without adequate ventilation.
- Do not touch the engine or the muffler while the engine is running or immediately after stopping the engine. These areas may be hot enough to cause a burn.
- Do not change the engine governor settings or over-speed the engine. Operating engine at excessive speed may increase the hazard of personal injury.
- To reduce the hazard of fire, keep the battery compartment, engine, and muffler areas free of grass, leaves, excessive grease, and other flammable materials.

Preventing Accidents

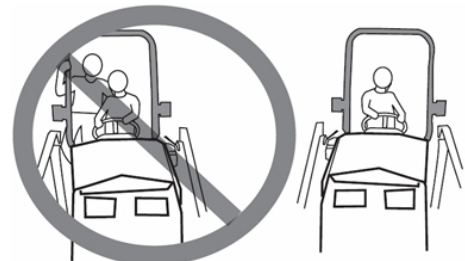


- Clear working area of objects that might be hit or thrown from machine.
- Keep people and pets out of working area.
- Know the work area well before operation. Do not operate where traction or stability is questionable.
- Reduce speed when you are operating over rough ground.
- Equipment can cause serious injury and/or death when improperly used. Before operating, know and understand the operation and safety of the power unit and the attachment being used.

- Do not operate machine if you are not in good physical and mental health, if you will be distracted by personal devices, or are under the influence of any substance which might impair decision, dexterity, or judgment.
- Children are attracted to machine activity. Be aware of children and do not allow them in the working area. Turn off the machine if a child enters the work area.

Keep Riders Off

- Only allow the operator on the power unit. Keep riders off.
- Never allow riders on any attachment or accessory.



SAFETY

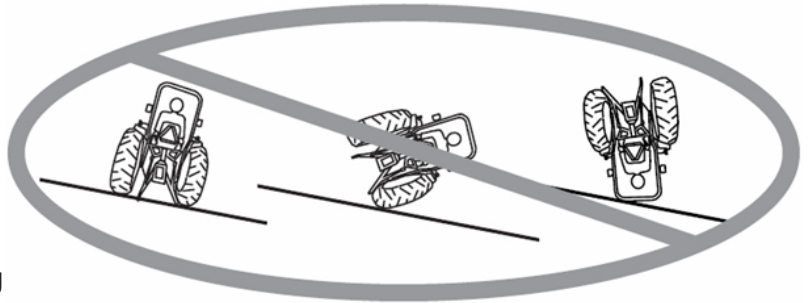


General Safety Procedures for Ventrac Power Units, Attachments, & Accessories



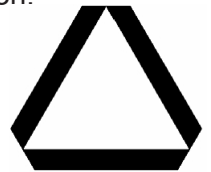
Operating On Slopes

- Slopes can cause loss-of-control and tip-over accidents, which can result in severe injury or death. Be familiar with the emergency parking brake, along with the power unit controls and their functions.
- If power unit is equipped with a fold down roll bar, it must be locked in the upright position when operating on any slope.
- Use low range (if equipped) when operating on slopes greater than 15 degrees.
- Do not stop or start suddenly when operating on slopes.
- Never shift between high and low range while on a slope. Always move the power unit to level ground and engage the parking brake before shifting range or placing the power unit in neutral.
- Variables such as wet surface and loose ground will reduce the degree of safety. Do not drive where machine could lose traction or tip over.
- Keep alert for hidden hazards in the terrain.
- Stay away from drop-offs, ditches, and embankments.
- Sharp turns should be avoided when operating on slopes.
- Pulling loads on hills decreases safety. It is the responsibility of the owner/operator to determine loads that can safely be controlled on slopes.
- Transport machine with attachment lowered or close to the ground to improve stability.
- While operating on slopes, drive in an up and down direction when possible. If turning is necessary while driving across slopes, reduce speed and turn slowly in the downhill direction.
- Assure a sufficient supply of fuel for continuous operation. A minimum of one-half tank of fuel is recommended.



Roadway Safety

- Operate with safety lights when operating on or near roadways.
- Obey all state and local laws concerning operation on roadways.
- Slow down and be careful of traffic when operating near or crossing roadways. Stop before crossing roads or sidewalks. Use care when approaching areas or objects that may obscure vision.
- If there is doubt of safety conditions, discontinue machine operation until a time when operation can be performed safely.
- When operating near or on roadways, have a Slow Moving Vehicle Emblem clearly displayed.



Truck Or Trailer Transport

- Use care when loading or unloading machine into a truck or trailer.
- Use full width ramps for loading machine into a truck or trailer.
- The parking brake is not sufficient to lock the machine during transport. Always secure the power unit and/or attachment to the transporting vehicle securely using straps, chains, cable, or ropes. Both front and rear straps should be directed down and outward from the machine.
- Shut off fuel supply to power unit during transport on truck or trailer.
- If equipped, turn the battery disconnect switch to the Off position to shut off electrical power.

SAFETY



General Safety Procedures for Ventrac Power Units, Attachments, & Accessories



Maintenance

- Keep all safety decals legible. Remove all grease dirt, and debris from safety decals and instructional labels.
- If any decals are faded, illegible, or missing, contact your dealer promptly for replacements.
- When new components are installed, be sure that current safety decals are affixed to the replacement components.
- If any component requires replacement, use only original Ventrac replacement parts.
- Always turn the battery disconnect to the Off position or disconnect the battery before performing any repairs. Disconnect the negative terminal first and the positive terminal last. Reconnect the positive terminal first and the negative terminal last.
- Keep all bolts, nuts, screws, and other fasteners properly tightened.
- Always lower the attachment to the ground, engage parking brake, shut off engine, and remove the ignition key. Make sure all moving parts have come to a complete stop before cleaning, inspection, adjusting or repairing.
- If the power unit, attachment, or accessory requires repairs or adjustments not instructed in the operator's manual, the power unit, attachment, or accessory must be taken to an authorized Ventrac dealer for service.
- Never perform maintenance on the power unit and/or attachment if someone is in the operator's station.
- Always use protective glasses when handling the battery.
- Check all fuel lines for tightness and wear on a regular basis. Tighten or repair them as needed.
- To reduce the hazard of fire, keep the battery compartment, engine, and muffler areas free of grass, leaves, and excessive grease.
- Do not touch the engine, the muffler, or other exhaust components while the engine is running or immediately after stopping the engine. These areas may be hot enough to cause a burn.
- Allow the engine to cool before storing and do not store near an open flame.
- Do not change the engine governor settings or over-speed the engine. Operating engine at excessive speed may increase the hazard of personal injury.
- Springs may contain stored energy. Use caution when disengaging or removing springs and/or spring loaded components.
- An obstruction or blockage in a drive system or moving/rotating parts may cause a buildup of stored energy. When the obstruction or blockage is removed, the drive system or moving/rotating parts may move suddenly. Do not attempt to remove an obstruction or blockage with your hands. Keep hands, feet, and clothing away from all power-driven parts.
- Dispose of all fluids in accordance with local laws.

Fuel Safety



- To avoid personal injury or property damage, use extreme care in handling gasoline. Gasoline is extremely flammable and the vapors are explosive.
- Do not refuel machine while smoking or at a location near flames or sparks.
- Always refuel the machine outdoors.
- Do not store machine or fuel container indoors where fumes or fuel can reach an open flame, spark, or pilot light.
- Only store fuel in an approved container. Keep out of reach of children.
- Never fill containers inside a vehicle or on a truck or trailer bed with a plastic liner. Always place containers on the ground away from your vehicle before filling.
- Remove machine from the truck or trailer and refuel it on the ground. If this is not possible, refuel the machine using a portable container, rather than from a fuel dispenser nozzle.
- Never remove fuel cap or add fuel with the engine running. Allow engine to cool before refueling.
- Never remove fuel cap while on a slope. Only remove when parked on a level surface.
- Replace all fuel tank and container caps securely.

SAFETY



General Safety Procedures for Ventrac Power Units, Attachments, & Accessories



Fuel Safety (continued)

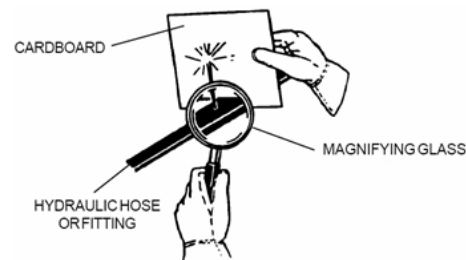
- Do not overfill fuel tank. Only fill to bottom of fuel neck, do not fill fuel neck full. Overfilling of fuel tank could result in engine flooding, fuel leakage from the tank, and/or damage to the emissions control system.
- If fuel is spilled, do not attempt to start the engine. Move the power unit away from the fuel spill and avoid creating any source of ignition until fuel vapors have dissipated.
- If the fuel tank must be drained, it should be drained outdoors into an approved container.
- Dispose of all fluids in accordance with local laws.
- Check all fuel lines for tightness and wear on a regular basis. Tighten or repair them as needed.
- The fuel system is equipped with a shut-off valve. Shut off the fuel when transporting the machine to and from the job, when parking the machine indoors, or when servicing the fuel system.

Hydraulic Safety

- Make sure all hydraulic connections are tight and all hydraulic hoses and tubes are in good condition. Repair any leaks and replace any damaged or deteriorated hoses or tubes before starting the machine.
- Hydraulic leaks can occur under high pressure. Hydraulic leaks require special care and attention.
- Use a piece of cardboard and a magnifying glass to locate suspected hydraulic leaks.



- Keep body and hands away from pinhole leaks or nozzles that eject high pressure hydraulic fluid. Hydraulic fluid escaping under high pressure can penetrate the skin causing serious injury, leading to severe complications and/or secondary infections if left untreated. If hydraulic fluid is injected into the skin, seek immediate medical attention no matter how minor the injury appears.



- Hydraulic system may contain stored energy. Before performing maintenance or repairs on the hydraulic system, remove attachments, engage parking brake, disengage weight transfer system (if equipped), shut off engine, and remove ignition key. To relieve pressure on the auxiliary hydraulic system, shut off the power unit engine and move the hydraulic control lever left and right before disconnecting the auxiliary hydraulic quick couplers.
- Dispose of all fluids in accordance with local laws.

SAFETY



LC150 Safety Procedures



- During operation, set up the power unit and stump cutter so that particles are directed away from buildings or other objects of value.
- During the grinding process, objects can be propelled from the stump grinder causing injury or damage to people, animals, buildings, vehicles, or other objects of value. Block access to the area prior to grinding stumps. Use plywood or equivalent shielding to protect nearby buildings or objects. If access to the area cannot be prevented, use plywood or equivalent shielding to protect pedestrian areas.
- Stop grinding immediately if the cutter head strikes a rock or other solid object. Damage to the cutting teeth or the cutter head may occur.
- Do not operate with any of the cutting teeth missing. This causes the cutter head to become unbalanced and may cause damage to the stump grinder.
- Attachment hydraulic system may contain stored energy. Before performing maintenance or repairs on the hydraulic system, the attachment's auxiliary hydraulic hoses must be disconnected from the power unit. Lower the attachment to the ground, shut off power unit engine, move the secondary S.D.L.A. lever left and right to relieve auxiliary hydraulic pressure, and disconnect the auxiliary hydraulic quick couplers. Block up the stump grinder to remove weight from the multi-function arm to relieve pressure from the hydraulic system.

GENERAL OPERATION

Daily Inspection

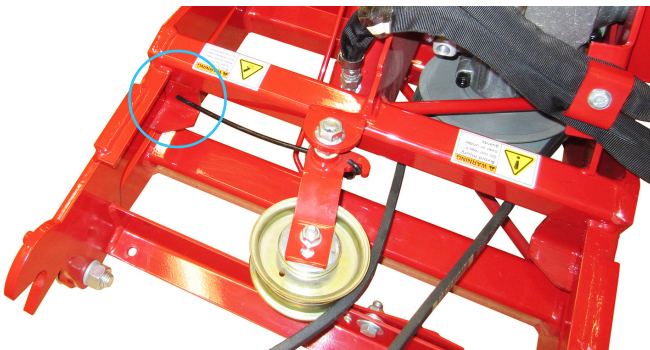
⚠ WARNING

Always set the parking brake, shut off power unit engine, remove the ignition key, and ensure all moving parts have come to a complete stop before inspecting components, or attempting any repair or adjustment.

1. Park machine on a level surface, with the engine shut off and all fluids cold.
2. Perform a visual inspection of both the power unit and the stump grinder. Look for loose or missing hardware, damaged components, or signs of wear.
3. Inspect hydraulic hoses, hydraulic fittings, and fuel lines to ensure tight, leak free connections.
4. Inspect the drive belts. Belts should be in good condition. Service as required.
5. Inspect the cutting teeth for wear and service as required.
6. Refer to the power unit operator's manual. Check the power unit's engine oil, hydraulic oil, cooling system, tire pressure, and fuel level. Add fluid or service as required.
7. Test the power unit's operator safety interlock system*.

Attaching

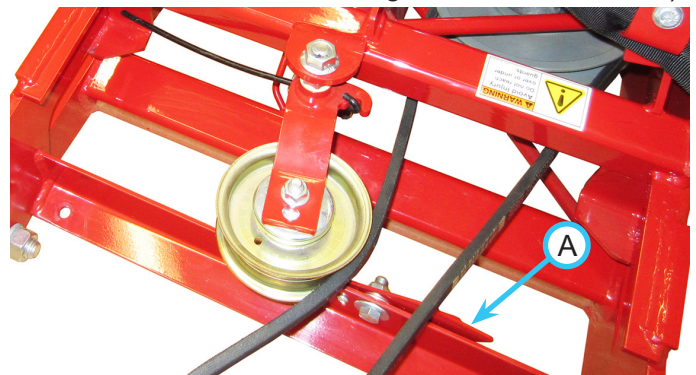
1. Drive the power unit slowly forward into the hitch arms of the stump grinder. Align the lift arms of the power unit with the stump grinder hitch arms by raising or lowering the front hitch and complete the engagement.
2. Once completely engaged, close the front hitch locking lever.*
3. Engage the parking brake* and shut off the engine.
4. Place the attachment belt onto the PTO drive pulley on the power unit.
5. Pull the belt tension spring back under the cross tube and hook inside the tab on the left hitch arm.



6. Ensure the drive belt is properly located in the pulley grooves before attempting to operate.
7. Wipe hose ends clean, and connect to the power unit's hydraulic quick couplers. If equipped, connect the hoses and quick couplers so the red indicators are paired together and the yellow indicators are paired together.

Detaching

1. Park the power unit on a level surface and set the parking brake.*
2. Lower the stump grinder to the ground.
3. Lower the multi-function arm to the ground (reference detaching point on depth indicator decal).
4. Shut off power unit engine.
5. Slowly release the belt tension spring from the hitch arm tab.
6. Remove the attachment belt from the PTO drive pulley of the power unit.
7. Disconnect the hydraulic quick couplers from the power unit and loop the hoses over the main frame. Do not allow hose ends to lay in the dirt.
8. Disengage the front hitch locking lever.* (LT3000 only: rotate the hitch latch (A) down to allow the front hitch locking lever to be released.)



9. Restart power unit and slowly back away from the stump grinder. A side to side movement of the steering wheel may aid in disengagement.

* Refer to power unit operator's manual for operation of power unit controls.

GENERAL OPERATION

Operating Procedure

WARNING

During the grinding process, objects can be propelled from the stump grinder causing injury or damage to people, animals, buildings, vehicles, or other objects of value. Block access to the area prior to grinding stumps. Use plywood or equivalent shielding to protect nearby building or objects. If access to the area cannot be prevented, use plywood or equivalent shielding to protect pedestrian areas.

WARNING

After 30 minutes of run time from initial startup or anytime the cutter teeth bolts have been loosened, stop the stump grinder and torque the cutter teeth bolts to 35 ft-lbs (47 Nm).

CAUTION

Do not grind in a position that allows the teeth to be in continuous contact with a rock.

Before grinding, cut the stump as low to the ground as possible with a chain saw (maximum recommended height is 3" (7.6 cm) above ground level).

Move the stump grinder into position above the closest edge of the stump.

With the power unit engine running between 2,000 and 2,500 RPM, engage the PTO switch. Adjust the throttle to the desired engine RPM.

Slowly lower the stump grinder until it begins to cut. Turn the power unit's steering wheel left and right to sweep the cutter head across the stump. After each pass, lower the grinder a little more and repeat the process. If the grinder is lowered too much at one time, it will not allow the power unit to be steered. Lift the grinder slightly to continue side-to-side grinding.

After removing several inches on larger stumps, it is necessary to drive forward and repeat the process. Also on larger stumps, it is advisable to approach from several different angles, if possible.

Follow this procedure until the stump is cut to the desired depth below the ground surface.

Note that there are variables in stumps. Hardwoods cut much slower than softwoods. Partially decayed stumps may cut easy in some spots, but still have some hard spots or tough roots.

If a common grinding depth is desired when remov-

ing multiple stumps, grind the first stump to the desired depth. With the cutter wheel resting on the stump, lower the multi-function arm until it contacts the ground. Note the location of the indicator rod on the depth indicator decal (the decal is for reference only and does not indicate actual grinding depth).

The multi-function arm can be set at the selected level from the first stump while grinding the rest of the stumps. When the stump is ground down to the correct depth, the arm will prevent further cutting.

After a stump has been removed, raise the stump grinder to its highest position and lower the multi-function arm until it contacts the ground. Use the multi-function arm to push the debris back into the hole that remains from removing the stump.

SERVICE

⚠ WARNING

Always set the parking brake, shut off power unit engine, remove the ignition key, and ensure all moving parts have come to a complete stop before inspecting components or attempting any repair or adjustment.



Attention

If any component requires replacement, use only original Ventrac replacement parts.

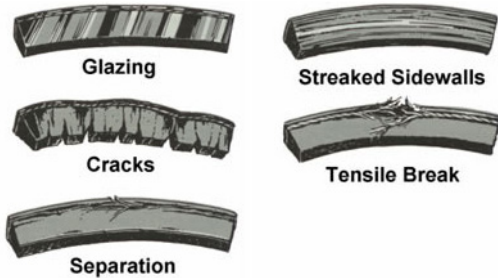
Cleaning and General Maintenance

For best results, and to maintain the finish of the stump grinder, clean or wash the stump grinder after each use to remove wood shavings, dirt, and other debris.

Belt Inspection

Inspecting the drive belts of the stump grinder can prevent sudden belt failure by finding problems before they cause a belt to break.

Typical wear on a drive belt may result in the conditions shown in the diagram. If any of these conditions



occur, the drive belt will require replacement.

Rotor Drive Belt Replacement

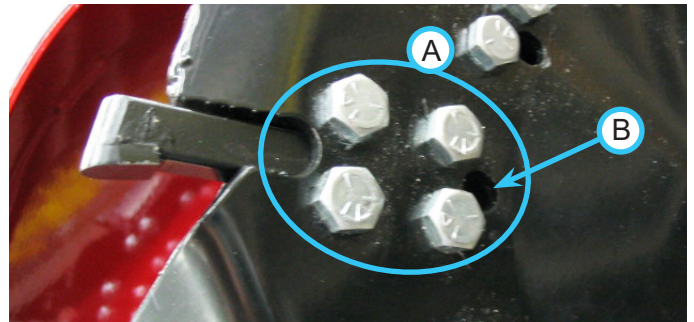
1. Remove the belt drive shield.
2. Release the drive belt tension spring.
3. Remove the old rotor drive belts and install new drive belts onto the pulleys.
4. Engage the drive belt tension spring.
5. Reinstall the belt drive shield.

Cutter Teeth Replacement

⚠ CAUTION

The cutter head is equipped with 4) right cutters, 4) left cutters, and 4) straight cutters. It is important that the cutters are installed in the correct positions. It is recommended that the cutter teeth be replaced one at a time to ensure they are installed in the correct positions.

1. Loosen the 4) clamping bolts (A) that hold the cutter tooth in the cutter head. The bolts do not need to be removed, only loosened.



2. Use a locking pliers to pull the cutter tooth out of the cutter head. If the old cutter tooth will be discarded, it is permissible to tap the cutter teeth out with a steel hammer. If the cutter teeth will be reused, use only a rubber mallet or soft-faced hammer to help remove teeth to avoid damaging the carbide tip.
3. Insert a 3/8" bolt or pin into the gauge hole (B) in the cutter head.
4. Slide the new cutter tooth into the cutter head until it contacts the bolt or pin. If necessary, use a rubber mallet or soft-faced hammer to tap the tooth into place.
5. Tighten the 4) tooth clamping bolts to 35 ft-lbs (47 Nm) and remove the bolt or pin that was used as a stop.
6. Move to the next tooth and continue working around the cutter head until all the teeth have been replaced.

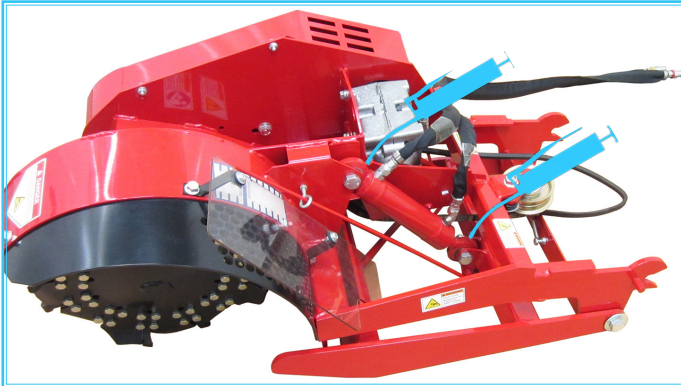
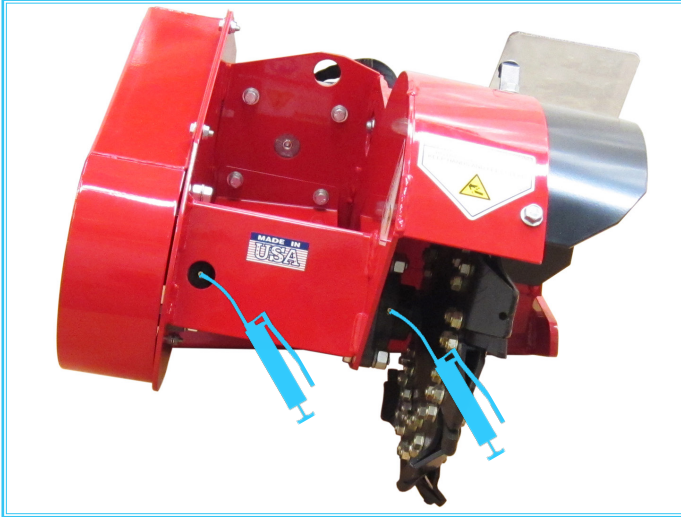
⚠ WARNING

After replacing cutter teeth, stop the stump grinder after 30 minutes of run time and torque the cutter teeth bolts to 35 ft-lbs (47 Nm).

SERVICE

Lubrication Locations

Lubrication is required at the following locations using a lithium complex NLGI #2 grease. Refer to the maintenance schedule for service intervals and amount of grease.



Checking Gearbox Oil Level

1. Position the stump grinder with the gearbox in a level position.
2. Remove the breather plug from the pipe elbow.
3. Check the oil level. The gear oil should be just visible at the bottom of the pipe elbow. If oil level is low, add 80-90 synthetic gear oil until the proper level is reached.
4. Reinstall the breather plug into the pipe elbow.

Changing Gearbox Oil

1. Remove the stump grinder from the power unit.
2. Use a hoist to raise the rear of the stump grinder until the front of the gearbox with the pipe plug is parallel to the floor.
3. Place a drain pan beneath the gearbox and adjust the position of the stump grinder as needed to align with the drain pan.

4. Remove the breather plug from the pipe elbow.
5. Remove the pipe plug from the gearbox and allow the gear oil to drain.
6. Reinstall the pipe plug into the gearbox.
7. Lower the stump grinder to the ground and position with the gearbox level.
8. Add 80-90 synthetic gear oil until the proper level is reached.
9. Reinstall the breather plug into the pipe elbow.

Storage

Preparing the Stump Grinder for Storage

1. Clean or wash the stump grinder to remove dirt, wood shavings, and other debris.
2. Inspect for loose or missing hardware, damaged components, or signs of wear. Repair or replace any damaged or worn components.
3. Inspect safety decals. Replace any decals that are faded, illegible, or missing.
4. Inspect hydraulic hoses and fittings to ensure tight, leak free connections. Repair or replace any damaged or worn components.
5. Inspect belts for signs of damage or wear and replace as required.
6. Inspect cutting teeth for wear and replace if necessary.
7. Service all lubrication points and inspect gearbox oil level.
8. Wipe off excess grease or oil.

Removing the Stump Grinder from Storage

1. Clean the stump grinder to remove any accumulated dust or debris.
2. Inspect the stump grinder as instructed in the daily inspection section of this manual.
3. Test the stump grinder to ensure all components are working properly.

SERVICE

Maintenance Schedule

Maintenance Schedule	# of Locations		Daily	At 50 Hours	At 100 Hours	At 150 Hours	At 200 Hours	At 250 Hours	At 300 Hours	At 350 Hours	At 400 Hours	At 450 Hours	At 500 Hours	At 550 Hours	At 600 Hours	At 650 Hours	At 700 Hours	At 750 Hours	At 800 Hours	At 850 Hours	At 900 Hours	At 950 Hours	At 1000 Hours	Yearly
	# of Pumps																							
Grease & Lubrication: See Lubrication Section																								
Rotor (Cutter Head) Bearing	2	1	✓	✓	✓	✓	✓	✓	✓	✓	✓	✓	✓	✓	✓	✓	✓	✓	✓	✓	✓	✓	✓	✓
Cylinder End	2	^	✓	✓	✓	✓	✓	✓	✓	✓	✓	✓	✓	✓	✓	✓	✓	✓	✓	✓	✓	✓	✓	✓
Check Gearbox Oil Level			✓	✓	✓	✓	✓	✓	✓	✓	✓	✓	✓	✓	✓	✓	✓	✓	✓	✓	✓	✓	✓	✓
Change Gearbox Oil. Replace w/ 80-90 Weight Synthetic Gear Oil			✓										✓											✓
Inspection																								
Inspect for Loose, Missing, or Worn Components.		✓																						
Inspect Belts, Hydraulic Hoses, & Fittings		✓																						
Inspect Cutting Teeth for Wear or Damage		✓																						
Inspect Safety Decals		✓																						

^ Grease until fresh grease is visible.

Maintenance Checklist

Maintenance Checklist	# of Locations		Daily	At 50 Hours	At 100 Hours	At 150 Hours	At 200 Hours	At 250 Hours	At 300 Hours	At 350 Hours	At 400 Hours	At 450 Hours	At 500 Hours	At 550 Hours	At 600 Hours	At 650 Hours	At 700 Hours	At 750 Hours	At 800 Hours	At 850 Hours	At 900 Hours	At 950 Hours	At 1000 Hours	Yearly
	# of Pumps																							
Grease & Lubrication: See Lubrication Section																								
Rotor (Cutter Head) Bearing	2	1																						
Cylinder End	2	^																						
Check Gearbox Oil Level																								
Change Gearbox Oil. Replace w/ 80-90 Weight Synthetic Gear Oil																								
Inspection																								
Inspect for Loose, Missing, or Worn Components.																								
Inspect Belts, Hydraulic Hoses, & Fittings																								
Inspect Cutting Teeth for Wear or Damage																								
Inspect Safety Decals																								

^ Grease until fresh grease is visible.

SPECIFICATIONS

Dimensions

Overall Height	19-1/2 inches (49.5 cm)
Overall Length	40 inches (101.5 cm)
Overall Width	22-1/4 inches (56.5 cm)
Weight	200 pounds (90.7 kg)
Rotor Tip Speed	2,150 ft/min (650 m/min)
Rotor RPM	570 RPM
Cutter Wheel Diameter	14-3/8 inches (36.5 cm)
Grinding Depth (below ground)	6 inches (15.25 cm)
Cutter Teeth, Carbide Tipped	4 Left, 4 Right, & 4 Straight Teeth

Features

- Excellent operator visibility
- Replaceable carbide hardened cutting teeth
- Hydraulically controlled multi-function arm which performs three functions;
 1. A storage stand for which holds the stump grinder for reattachment
 2. A depth gauge to preset the desired depth of cut
 3. A blade for pushing debris back into the hole

SPECIFICATIONS


Noise Emissions¹

Measured Sound Power Level, dB(A)	93.3
Sound Power Uncertainty, dB(A)	2.0
Sound Pressure Level at Operator's Ear, dB(A)	84.5
Sound Pressure Uncertainty, dB(A)	2.0

Note 1: Specifications subject to change without notice.

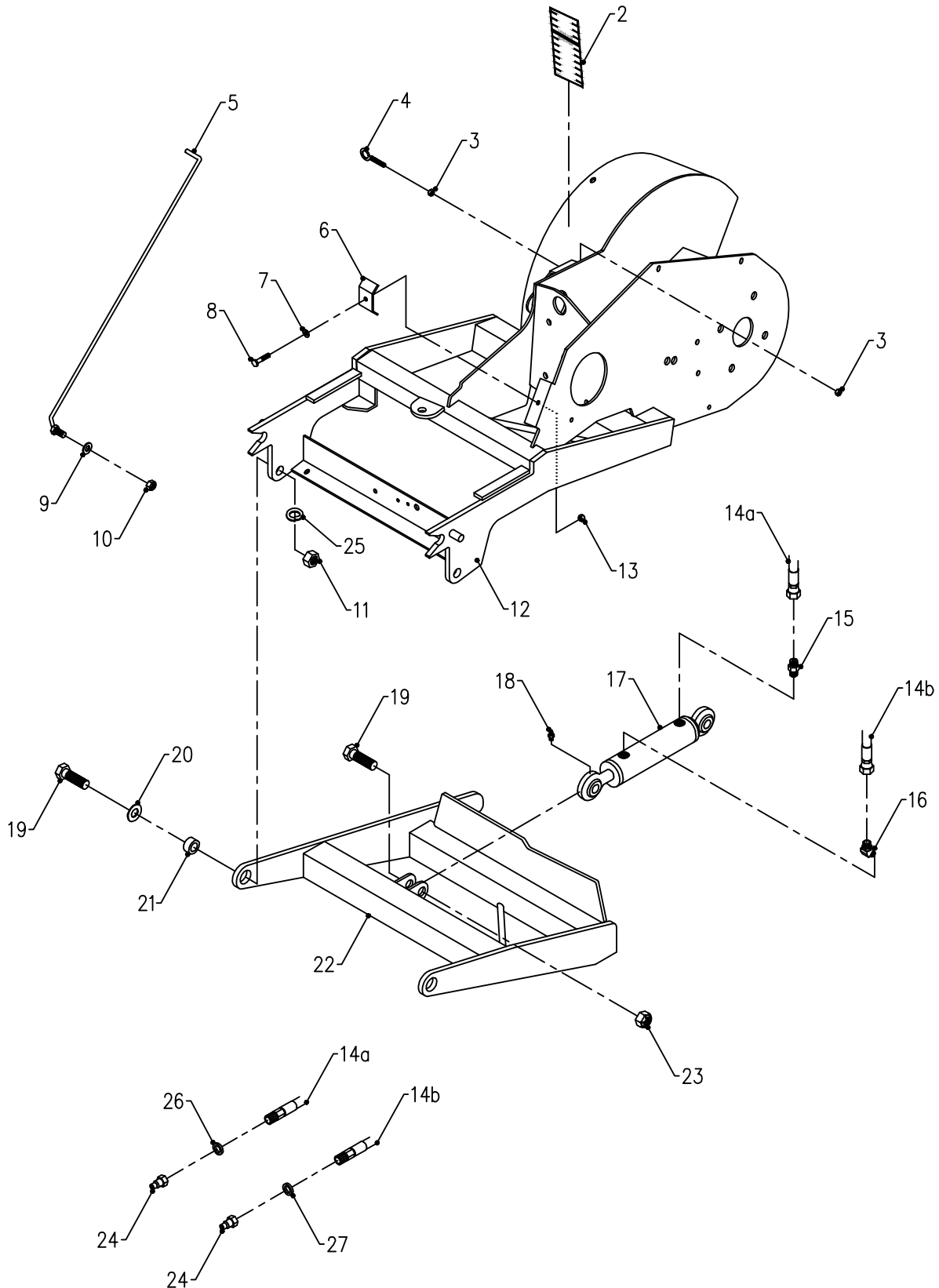
EC Declaration of Conformity

Ventrac LC150

Manufacturer	Venture Products, Inc. PO Box 148 328 East Water St Orrville, OH 44667 - USA
Authorized Representative (also authorized to compile the technical file)	Lars Persson LAPAB MASKIN AB Box 46, S-734 22 Hallstahammar Flädervägen 5, 734 38 Hallstahammar SWEDEN
Technical File Keeper	Ryan Steiner Venture Products, Inc. PO Box 148 328 East Water Street Orrville, OH 44667 – USA
Description	Stump grinder attachment
Model Name	Ventrac LC150 Stump Grinder
Model Number	39.35300
Serial Number	LC150-Axxxxx
This Product Conforms to Directives	2006/42/EC
Ryan Steiner Director of Engineering 	16-July-2014 Orrville, Ohio – USA

PARTS

ILLUSTRATED DRAWING Main Frame, Blade/Stand Frame, & Hydraulics



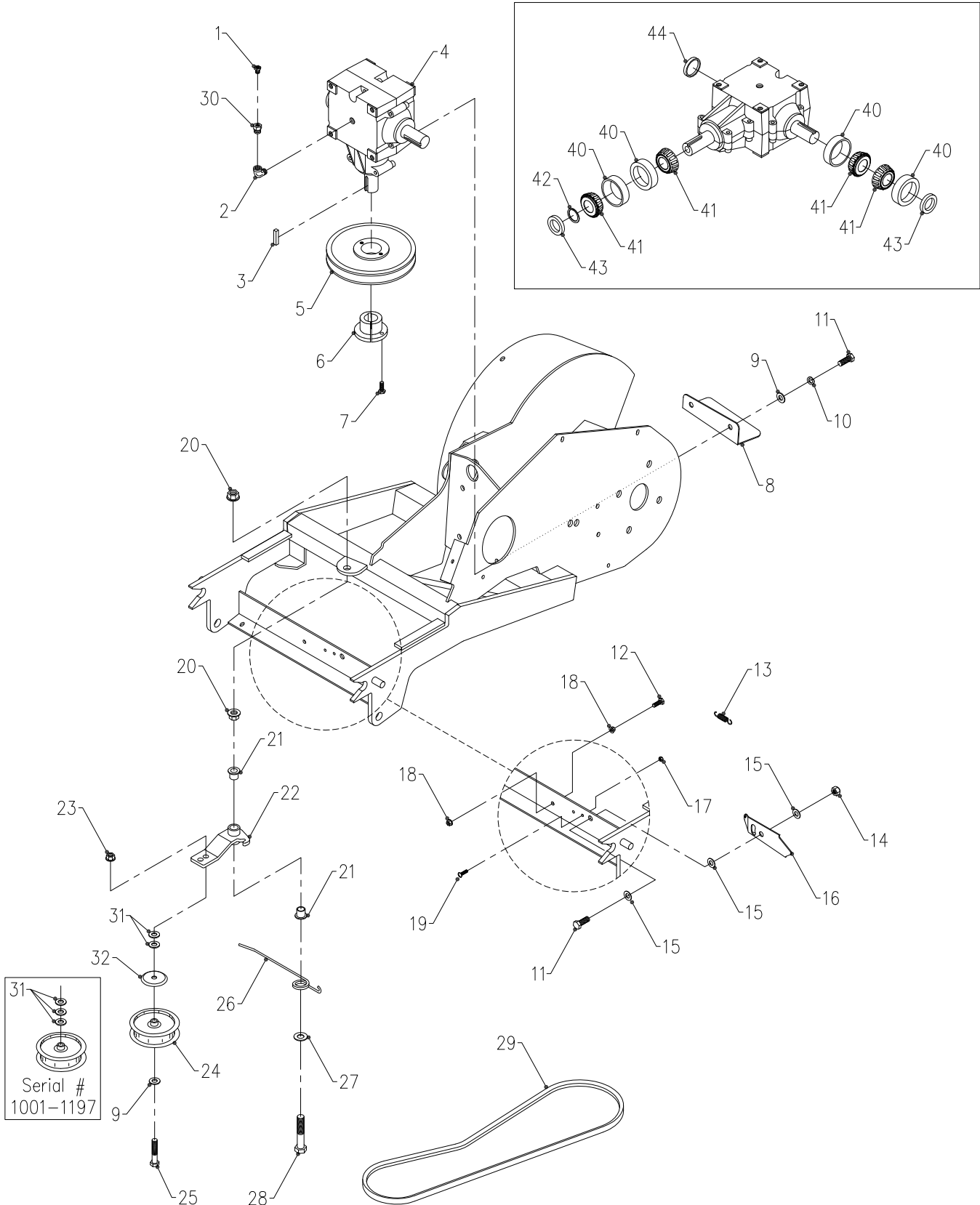
PARTS

Main Frame, Blade/Stand Frame, & Hydraulics

REF.	PART NO.	DESCRIPTION	QTY.
2	00.0215	.DECAL, HEIGHT INDICATOR LC150	.1
3	92.04	.NUT, 1/4-20 USS	.2
4	99.K0097	.BOLT, EYE 1/4-20 X 1-1/2	.1
5	42.0467	.ROD, DEPTH INDICATOR	.1
6	64.0826	.CLAMP, HYD HOSE	.1
7	95.04	.WASHER, FLAT 1/4 SAE	.1
8	90.0410	.BOLT, 1/4-20 USS X 1 1/4	.1
9	95.06	.WASHER, FLAT 3/8 SAE	.1
10	99.A06	.LOCKNUT, STOVER 3/8-16 USS	.1
11	92.10	.NUT, 5/8-11 USS	.2
12	62.1017	.FRAME, MAIN	.1
13	99.A04	.LOCKNUT, STOVER 1/4-20 USS	.1
14	20.0185	.HOSE, 1/4X48.00 SAE 100R17 AR	.2
15	25.6400-06-06	.FITTING, M CONN 3/8 X 3/8	.1
16	25.6802-06-06	.FITTING, 45 ME 3/8 X 3/8	.1
17	23.0130	.CYLINDER, 1-1/2" X 5"	.1
18	29.GF0001	.GREASE FTG, 1/4 SAE ST	.2
19	90.1016	.5/8-11 X 2 BOLT	.4
20	94.10	.WASHER, FLAT 5/8 USS	.2
21	64.1132	.BUSHING, 5/8X1X1/2	.2
22	62.1018	.FRAME, PUSH BLADE/STAND	.1
23	99.A10	.LOCKNUT, STOVER 5/8-11 USS	.2
24	23.0104	.COUPLER, QUICK MALE 1/4	.2
25	96.10	.BOLT, 5/8-11 USS X 2	.2
26	05.0117	.WASHER, .544ID X .817 X.14 YEL	.1
27	05.0116	.WASHER, .544ID X .817 X.14 RED	.1

PARTS

ILLUSTRATED DRAWING Belt Drive (Power Unit to Gearbox)



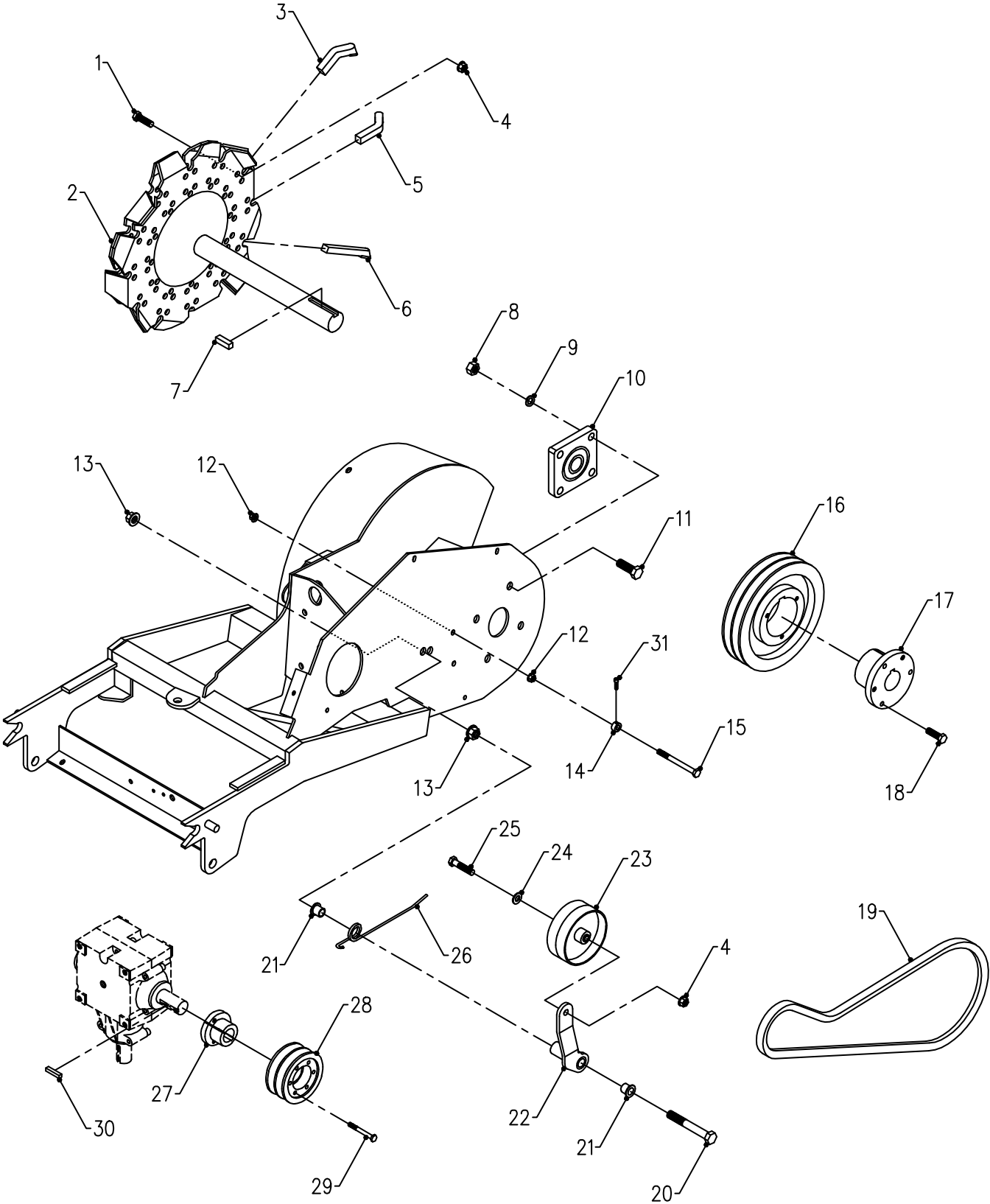
PARTS

Belt Drive (Power Unit to Gearbox)

REF.	PART NO.	DESCRIPTION	QTY.
1	29.0090	.PIPE, BREATHER PLUG 1/8	.1
2	29.S9004G	.FITTING, 1/4 PIPE 90° ELBOW	.1
3	85.K0410	.KEY,1/4X 1-1/4	.1
4	87.0189	.GEARBOX, 1" SHAFT 2:1 CW/CCW	.1
5	83.BK67H	.PULLEY, 6.7" H-BUSH	.1
6	83.H16S	.BUSHING, 1" SPLIT 1/4" KEY	.1
7	90.0406	.BOLT, 1/4-20 USS X 3/4	.2
8	62.1021	.SHIELD, INPUT DRIVE PULLEY	.1
9	95.06	.WASHER, FLAT 3/8 SAE	.5
10	96.06	.WASHER, LOCK 3/8	.4
11	90.0608	.BOLT, 3/8-16 USS X 1	.5
12	90.0408	.BOLT, 1/4-20 USS X 1	.1
13	41.0078	.SPRING, EXT. 5/16 X 1-3/4	.1
14	99.A06	.LOCKNUT, STOVER 3/8-16 USS	.1
15	94.06	.WASHER, FLAT 3/8 USS	.3
16	64.1131	.BRACKET, HITCH LATCH	.1
17	99.A1032N	.LOCKNUT, NYLON 10-32 STAINLESS	.1
18	99.SF04	.NUT, SRF 1/4-20 USS	.2
19	99.K0062	.MACHINE SCREW, #10-32 X 1/2	.1
20	99.SF08	.NUT, SRF 1/2-13 USS	.2
21	85.B0027	.BUSHING, 1/2 ID X 5/8 OD X 5/8	.2
22	40.0322	.ARM, DRIVE BELT IDLER	.1
23	99.SF06	.NUT, SRF 3/8-16 USS	.1
24	83.0013	.PULLEY, IDLER FLAT 3/8 X 3-1/2	.1
25	90.0616	.3/8-16 X 2 BOLT	.1
26	41.0066	.SPRING, SINGLE TORSION LH	.1
27	94.08	.WASHER, FLAT 1/2 USS	.1
28	90.0822	.BOLT, 1/2-13 USS X 2 3/4	.1
29	81.A050	.BELT, A50	.1
30	29.B0204G	.PIPE, BUSHING 1/8 X 1/4 GALV	.1
31	95.06	.WASHER, FLAT 3/8 SAE (Serial # 1001-1197)	.3
31	95.06	.WASHER, FLAT 3/8 SAE (Serial # 1198-)	.2
32	60.1056	.COVER, PULLEY (Serial # 1198-)	.1
40	55.0076	.BEARING, CUP 1.980	.4
41	55.0075	.BEARING, CONE 1.000	.4
42	04.0026	.RETAINING RING, EXT 1.000 SHFT	.1
43	89.0075	.SEAL, OIL	2
44	89.0081	.SEAL, END CAP 1.50-25	1

PARTS

ILLUSTRATED DRAWING Belt Drive (Gearbox to Cutter/Rotor)



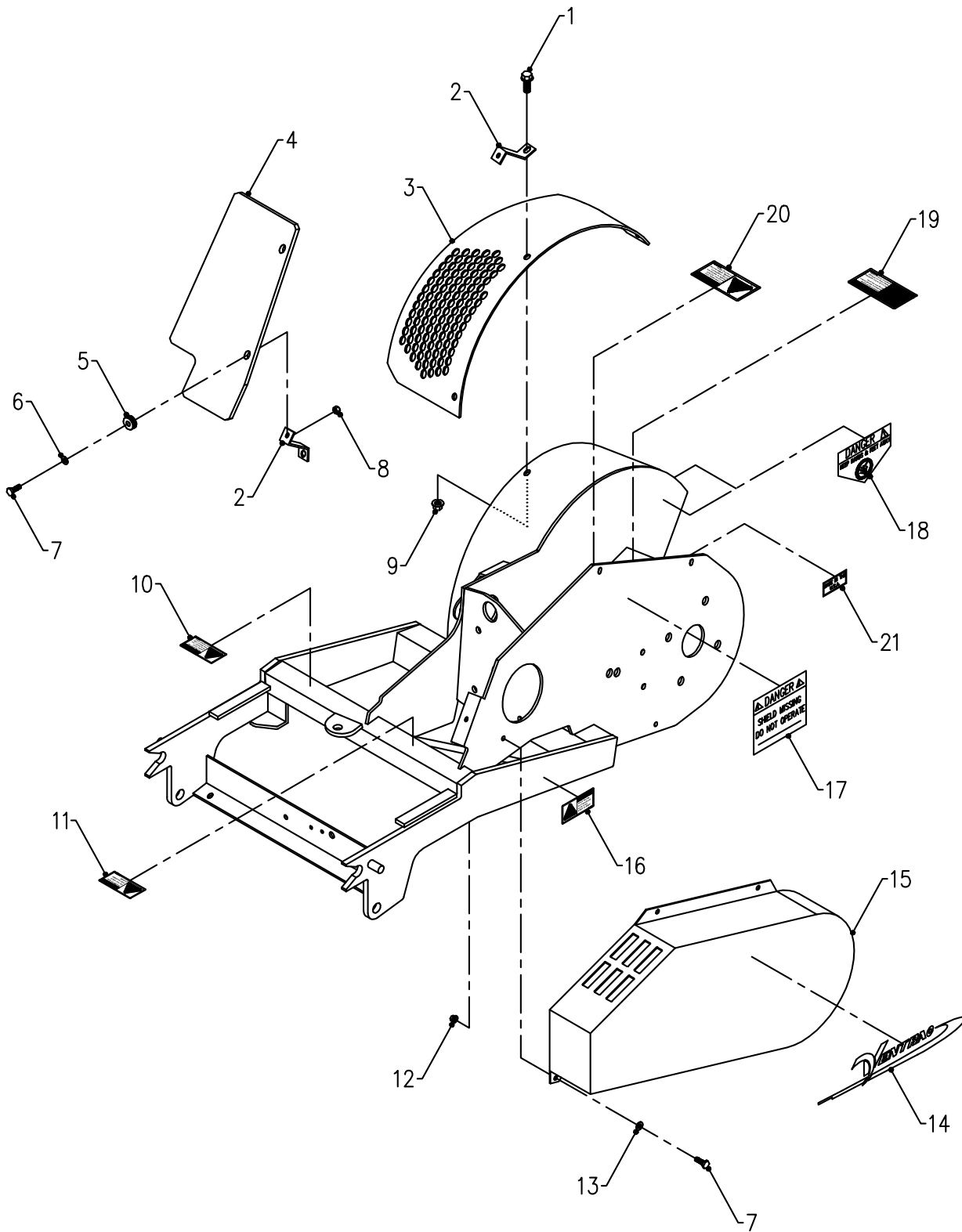
PARTS

Belt Drive (Gearbox to Cutter/Rotor)

REF.	PART NO.	DESCRIPTION	QTY.
1	90.0610	.BOLT, 3/8-16 USS X 1 1/4.	.48
2	80.0350	.SHAFT, ROTOR CUTTER	.1
3	79.0072	.TOOTH, RIGHT LC150	.4
4	99.SF06	.NUT, SRF 3/8-16 USS	.49
5	79.0071	.TOOTH, LEFT LC150	.4
6	79.0070	.TOOTH, STRAIGHT LC150	.4
7	85.K0610	.KEY,3/8X 1-1/4	.1
8	92.08	.NUT, 1/2-13 USS	.8
9	96.08	.WASHER, LOCK 1/2	.8
10	55.FB22023	.BEARING, FLANGE BLOCK 1-7/16	.2
11	90.0812	.BOLT, 1/2-13 USS X 1 1/2	.8
12	99.SF05	.NUT, SRF 5/16-18 USS	.2
13	99.SF08	.NUT, SRF 1/2-13 USS	.2
14	85.SC05	.SET COLLAR, 5/16	.1
15	90.0528	.BOLT, 5/16-18 USS X 3 1/2	.1
16	83.2TB80	.PULLEY, 2TB 8"	.1
17	83.Q123	.BUSHING, 1-7/16 Q1	.1
18	90.0610	.BOLT, 3/8-16 USS X 1 1/4	.3
19	81.B049	.BELT, B49 (SERIAL # 1001-1129)	.2
19	81.B050	.BELT, B50 (SERIAL # 1130-)	.2
20	90.0830	.BOLT, 1/2-13 USS X 3-3/4	.1
21	85.B0027	.BUSHING, 1/2 ID X 5/8 OD X 5/8	.2
22	40.0323	.ARM, DOUBLE BELT IDLER	.1
23	83.0042	.PULLEY, DBL IDLER FLAT4 X 3/8	.1
24	95.06	.WASHER, FLAT 3/8 SAE	.1
25	90.0614	.BOLT, 3/8-16 USS X 1 3/4	.1
26	41.0066	.SPRING, SINGLE TORSION LH	.1
27	83.SH16	.BUSHING, 1" SH	.1
28	83.2B36SH	.PULLEY, 2 B 3.6" 2-GROOVE	.1
29	90.0416	.BOLT, 1/4-20 USS X 2	.3
30	85.K0410	.KEY,1/4X 1-1/4	.1
31	99.K0073	.BOLT, SHCS 10-32 X 1/2 ZP	.1

PARTS

ILLUSTRATED DRAWING Rotor Shield, Belt Cover, & Safety Decals



PARTS

Rotor Shield, Belt Cover, & Safety Decals

REF.	PART NO.	DESCRIPTION	QTY.
1	99.SF0606	.3/8-16 X 3/4 FLANGE BOLT	3
2	64.1133	.BRACE, LEXAN SHIELD	2
3	62.1020	.GUARD, ROTOR	1
4	44.0215	.SHIELD, LEXAN	1
5	05.0047	.GROMMET, 5/16 ID X 13/16 OD X 5/16 TK	2
6	94.04	.1/4USS FLAT WASHER	2
7	90.0406	.1/4-20 X 3/4 BOLT	6
8	99.A04	.1/4-20 LOCK NUT	2
9	99.SF06	.3/8-16 FLANGE NUT	3
10	00.0216	.DECAL, WARNING - MOVING PARTS	1
11	00.0219	.DECAL, WARNING - DO NOT REACH	1
12	99.SF04	.1/4-20 FLANGE NUT	4
13	95.04	.1/4SAE FLAT WASHER	4
14	00.0189	.DECAL, VENTRAC ORBITAL	1
15	62.1019	.COVER, BELT	1
16	00.0218	.DECAL, WARNING - PINCH POINT	2
17	00.0062	.DECAL, DANGER - SHIELD MISSING	1
18	00.0123	.DECAL, KEEP HANDS & FEET AWAY	2
19	00.0217	.DECAL, WARNING - READ OWNER'S MANUAL	1
20	00.0220	.DECAL, GENERAL SAFETY	1
21	00.0100	.DECAL, MADE IN USA	1

WARRANTY



LIMITED WARRANTY - VENTRAC COMMERCIAL EQUIPMENT

Venture Products, Inc., (henceforth referred to as V.P.I.) warrants on the terms and conditions herein, that it will repair, replace, or adjust any part manufactured by Venture Products Inc., and found by Venture Products, Inc., to be defective in material and/or workmanship during the applicable warranty term.

All Ventrac commercial equipment purchased and registered on or after January 1, 2019 will carry a 2-year commercial warranty. The warranty period begins on the date of original customer purchase:

Ventrac Commercial Equipment	Warranty Term
2100 SSV & Attachments	2-year
3000 Series Tractors & Attachments	2-year
4000 Series Tractors & Attachments	2-year

All Ventrac add-on kits and accessories such as: 3-point hitch, 12V front & rear power outlets, foot pedal, dual wheel kit, etc., will be covered under the above warranty periods provided they are installed by an Authorized Ventrac Dealer. This warranty may be transferred and will carry the remainder of the warranty starting from the original purchase/registration date with the dealership and/or V.P.I.

The engine warranty is covered by its respective engine manufacturer. Please refer to the engine manufacturer's warranty statement that is included in the owner's manual.

For warranty consideration on Ventrac commercial equipment, including any defective part, must be returned to an Authorized Ventrac Dealer within the warranty period. The warranty shall extend to the cost to repair or replace (as determined by V.P.I.) the defective part. The expense of pickup and delivery of equipment, service call drive time or any transportation expense incurred for warranty repair is the sole responsibility of the owner and is not covered under warranty by Ventrac and/or V.P.I. Ventrac and V.P.I.'s responsibility in respect to claims is limited to making the required repairs or replacements, and no claim of breach of warranty shall be cause for cancellation or rescission of the contract of sale of any Ventrac equipment. Proof of purchase may be required by the dealer to substantiate any warranty claim. Only warranty work performed and submitted by an Authorized Ventrac Dealer may be eligible for warranty credit.

This warranty extends only to Ventrac commercial equipment operated under normal conditions and properly serviced and maintained. The warranty expressly does NOT cover: (a) any defects, damage or deterioration due to normal use, wear and tear, or exposure; (b) normal maintenance services, such as cleaning, lubrication, oil change; (c) replacement of service items, such as oil, lubricants, spark plugs, belts, rubber hoses, bearings or other items subject to normal service replacement; (d) damage or defects arising out of, or relating to abuse, misuse, neglect, alteration, negligence or accident; (e) repair or replacement arising from operation of, or use of the equipment which is not in accordance with operating instructions as specified in the operator's manual or other operational instructions provided by V.P.I.; (f) repair or replacement arising as a result of any operation from Ventrac equipment that has been altered or modified so as to, in the determination of V.P.I., adversely affect the operation, performance or durability of the equipment or that has altered, modified or affected the equipment so as to change the intended use of the product; (g) repair or replacement necessitated by the use of parts, accessories or supplies, including gasoline, oil or lubricants, incompatible with the equipment or other than as recommended in the operator's manual or other operational instructions provided by V.P.I.; (h) repairs or replacements resulting from parts or accessories which have adversely affected the operation, performance or durability of the equipment; or (i) damage or defects due to or arising out of repair of Ventrac equipment by person or persons other than an authorized Ventrac service dealer or the installation of parts other than genuine Ventrac parts or Ventrac recommended parts.

WARRANTY



LIMITED WARRANTY - VENTRAC COMMERCIAL EQUIPMENT

The sole liability of V.P.I. with respect to this warranty shall be the repair and replacement as set forth herein. V.P.I. shall have no liability for any other cost, loss, or damage. In particular V.P.I. shall have no liability or responsibility for: (i) expenses relating to gasoline, oil, lubricants; (ii) loss, cost or expense relating to transportation or delivery of turf equipment from the location of owner or location where used by owner to or from any Authorized Ventrac Dealer; (iii) travel time, overtime, after hours' time or other extraordinary repair charges or charge relating to repairs or replacements outside of normal business hours at the place of business of an Authorized Ventrac Dealer; (iv) rental of like or similar replacement equipment during the period of any warranty repair or replacement work; (v) any telephone or telegram charges; (vi) loss or damage to person or property other than that covered by the terms of this warranty; (vii) any claims for lost revenue, lost profit or additional cost or expense incurred as a result of a claim of breach of warranty; or (viii) attorney's fees.

The remedies of buyer set forth herein are exclusive and are in lieu of all other remedies. The liability of V.P.I., whether in contract, tort, under any warranty, or otherwise, shall not extend beyond its obligation as set forth herein. V.P.I. shall not be liable for cost of removal or installation nor shall V.P.I. be responsible for any direct, indirect, special or consequential damages of any nature. In no event shall V.P.I. be liable for any sum in excess of the price received for the goods for which liability is claimed.

There are no representations or warranties which have been authorized to the buyer of the Ventrac commercial equipment other than set forth in this warranty. Any and all statements or representations made by any seller of this equipment, including those set forth in any sales literature or made orally by any sales representative, are superseded by the terms of this warranty. Any affirmation of fact or promise made by V.P.I. or any of its representatives to the buyer which relates to the goods that are the subject to this warranty shall not be regarded as part of the basis of the bargain and shall not be deemed to create any express warranty that such goods shall conform to the affirmation or promise.

No employee, distributor, or representative is authorized to change the foregoing warranties in any way or grant any other warranty on behalf of V.P.I.

Some states do not allow limitations on how long an implied warranty lasts or allow the exclusion on limitation of incidental or consequential damages, so the above limitation or exclusion may not apply to you.

This warranty gives you specific legal rights, and you may also have other rights which vary from state to state.

This warranty applies to all Ventrac commercial equipment sold by Venture Products Inc.