



**OPERATOR'S MANUAL  
& PARTS DRAWINGS**

**REAR DISCHARGE MOWER  
MODEL MC600**





500 Venture Drive  
PO Box 148  
Orrville, OH 44667  
www.ventrac.com

**To the Owner  
Contact Information and Product Identification**

If you need to contact an authorized Ventrac dealer for information on servicing your product, always provide the product model and serial numbers.

*Please fill in the following information for future reference. See the picture(s) below to find the location of the identification numbers. Record them in the spaces provided.*

Date of Purchase: \_\_\_\_\_

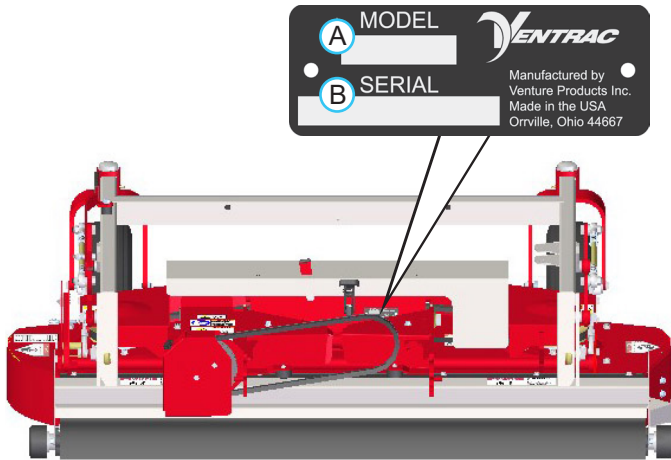
Dealer: \_\_\_\_\_

Dealer Address: \_\_\_\_\_

Dealer Phone Number: \_\_\_\_\_

Dealer Fax Number: \_\_\_\_\_

<p>Model # (A): _____</p> <p>Serial # (B): _____</p> <p>Affix Part/Serial Number label here.</p>
--



Ventrac Products Inc. reserves the right to make changes in design or specifications without obligation to make like changes on previously manufactured products.

# TABLE OF CONTENTS

---

<b>INTRODUCTION</b>	<b>PAGE 5</b>
Product Description.....	5
Why Do I Need an Operator’s Manual? .....	5
Using Your Manual .....	6
Manual Glossary .....	6
<b>SAFETY</b>	<b>PAGE 7</b>
Safety Decals .....	7
General Safety Procedures.....	9
Training Required.....	9
Personal Protective Equipment Requirements .....	9
Operation Safety .....	9
Preventing Accidents.....	10
Keep Riders Off.....	10
Operating On Slopes.....	11
Roadway Safety .....	11
Truck Or Trailer Transport .....	11
Maintenance.....	12
Fuel Safety .....	12
Hydraulic Safety .....	13
Cutting Unit Safety .....	14
<b>OPERATIONAL CONTROLS</b>	<b>PAGE 15</b>
Height Adjustment Handle.....	15
Height Adjustment Locking Pin .....	15
Deck Pivot Latch .....	15
S.D.L.A. Control Levers .....	15
Weight Transfer.....	15
<b>GENERAL OPERATION</b>	<b>PAGE 16</b>
Daily Inspection.....	16
Attaching .....	16
Detaching .....	16
Mowing and Operating Procedure .....	16
Transport of Mower .....	16
Cutting Height Adjustment.....	17
Mulching Kit #70.8088 .....	17

# TABLE OF CONTENTS

---

<b>SERVICE</b>	<b>PAGE 18</b>
Cleaning and General Maintenance.....	18
Deck Flip-Up Procedure (Service Position).....	18
Mower Blade Inspection/Replacement.....	18
Mower Blade Sharpening.....	18
Belt Inspection/Replacement .....	18
Detach the mower deck from the power unit.....	19
Drive Belt Tensioning Adjustments.....	19
Tire Pressure.....	19
Deck Leveling Procedure.....	19
Lubrication.....	20
MC600 Maintenance Schedule.....	21
MC600 Maintenance Checklist .....	21
<b>SPECIFICATIONS</b>	<b>PAGE 22</b>
Dimensions .....	22
Features.....	22
<b>PARTS</b>	<b>PAGE 24</b>
Deck, Pulleys, & Belt.....	24
Spindles & Blades .....	26
Hitch Arms.....	28
Carrier Frame, Wheels, & Front Roller.....	30
Deck Shields .....	32
Rear Roller .....	34
Rear Belting .....	36
Rear Crossbar.....	38
Left Height Adjustment Linkage .....	40
Right Height Adjustment Linkage.....	42
Height Adjustment Handle.....	44
Mulch Kit #70.8088 .....	46
<b>WARRANTY</b>	<b>PAGE 48</b>

# INTRODUCTION



Ventrac Products Inc. is pleased to provide you with your new Ventrac rear discharge mower! We hope that Ventrac equipment will provide you with a ONE Tractor Solution.

Listed below are just some of the items that can provide you *versatility* as you use your MC600 mower. Please visit our web site, or contact your authorized Ventrac dealer for a complete list of items available for your new MC600 mower.

Accessories	Item Description	Part Number
	MC600 Mulching Kit	70.8088
	Flat Free Tire/Wheel Assembly (requires 2 per mower)	53.0148

## Product Description

The MC600 mower is designed for the sole purpose of finish mowing. The MC600 features a 60 inch (152 cm) cutting width and sixteen cutting positions ranging from 3/4 inch (1.9 cm) to 4-1/2 inches (11.4 cm).

The rear discharge design makes it easier to mow up against obstacles without worrying about a discharge chute getting in the way while protecting mulch beds, buildings, and vehicles from discharged grass and other debris.

The MC600 can be tilted to a near vertical position for maintenance and storage.

The MC600 features a full width rear roller for even cutting and striping.

## Why Do I Need an Operator's Manual?

This manual has been created to help you gain the important knowledge of what is needed to safely operate, maintain, and service your machine. It is divided into sections for convenient reference of the appropriate section.

You must read and understand the operator's manual for each piece of Ventrac equipment you own. Reading the operator's manual will help you become familiar with each specific piece of equipment. Understanding the operator's manual will help you, as well as others, avoid personal injury and/or damage to the equipment. Keep this manual with the machine at all times. The manual should remain with the machine even if it is sold. If this manual becomes damaged or unreadable, it should be replaced immediately. Contact your local Ventrac dealer for a replacement.

When using a Ventrac attachment, be sure to read and follow the safety and operating instructions of both the power unit and the attachment being used to ensure the safest operation possible.

The information in this manual provides the operator with the safest procedures to operate the machine while getting the maximum performance from the unit. Failure to follow the safety precautions listed in this manual may result in personal injury and/or damage to the equipment.

# INTRODUCTION

---

## Using Your Manual

Throughout this manual, you will encounter special messages and symbols that identify potential safety concerns to help you as well as others avoid personal injury or damage to the equipment.

### SYMBOL DEFINITIONS



#### **ATTENTION**

This symbol identifies potential health and safety hazards. It marks safety precautions. Your safety and the safety of others is involved.

There are three signal words that describe the level of safety concern: Danger, Warning, and Caution. Safety should always be the #1 priority when working on or operating equipment. Accidents are more likely to occur when proper operating procedures are not followed or inexperienced operators are involved.

Note: Right-Hand and Left-Hand orientations may be referred to at different places throughout this manual. Right-Hand and Left-Hand is determined as if sitting on the power unit seat facing forward.

### SIGNAL WORD DEFINITIONS

#### **⚠ DANGER**

Indicates an imminently hazardous situation which, if not avoided, will result in death or serious injury. This signal word is limited to the most extreme cases.

#### **⚠ WARNING**

Indicates a potentially hazardous situation which, if not avoided, could result in death or serious injury.

#### **⚠ CAUTION**

Indicates a potentially hazardous situation which, if not avoided, may result in minor or moderate injury and/or property damage. It may also be used to alert against unsafe practices.

## Manual Glossary

- Power Unit** A Ventrac tractor or other Ventrac engine powered device that may be operated by itself or with an attachment or accessory.
- Attachment** A piece of Ventrac equipment that requires a Power Unit for operation.
- Accessory** A device that attaches to a Power Unit or Attachment to extend its capabilities.
- Machine** Describes any "Attachment" or "Accessory" that is used in conjunction with a power unit.

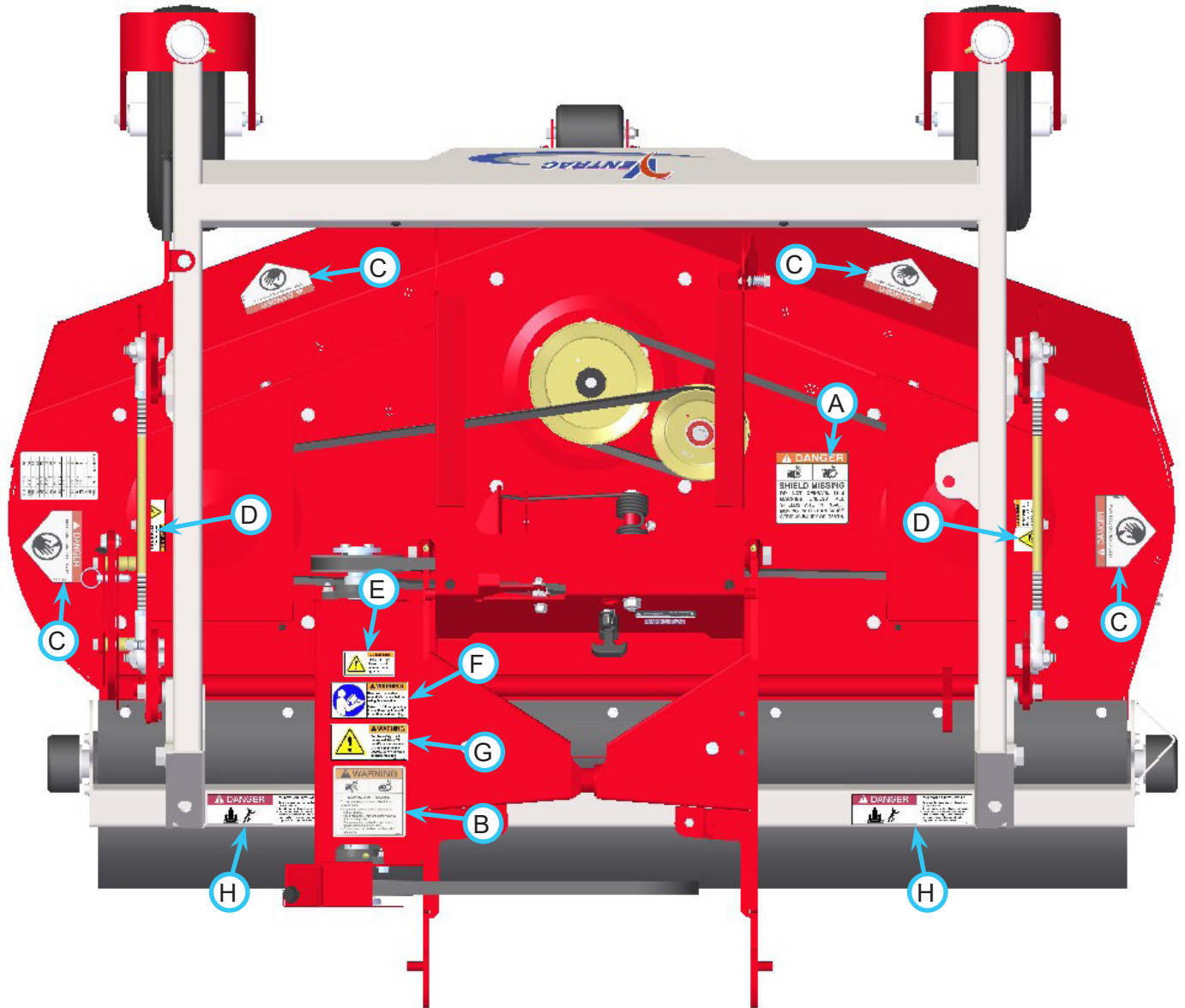
# SAFETY

## Safety Decals

The following safety decals must be maintained on your MC600 mower.

Keep all safety decals legible. Remove all grease, dirt, and debris from safety decals and instructional labels. If any decals are faded, illegible, or missing, contact your dealer promptly for replacements.

When new components are installed, be sure that current safety decals are affixed to the replacement components.



# SAFETY



Decal	Description	Part Number	Quantity
A	Danger, Shield Missing	00.0062	1
B	Warning, Moving Part Hazard	00.0101	1
C	Danger, Keep Hands & Feet Away	00.0123	4
D	Warning, Pinch Point	00.0218	2
E	Warning, Do Not Reach	00.0219	1
F	Warning, Read Owner's Manual	00.0217	1
G	Warning, General Safety	00.0220	1
H	Danger, Thrown Object Hazard	00.0265	2



# SAFETY



## General Safety Procedures for Ventrac Power Units, Attachments, & Accessories



### Training Required

- The owner of this machine is solely responsible for properly training the operators.
- The owner/operator is solely responsible for the operation of this machine and prevention of accidents or injuries occurring to him/herself, other people, or property.
- Do not allow operation or service by children or untrained personnel. Local regulations may restrict the age of the operator.
- Before operating this machine, read the operator's manual and understand its contents.
- If the operator of the machine cannot understand this manual, then it is the responsibility of this machine's owner to fully explain the material within this manual to the operator.
- Learn and understand the use of all controls.
- Know how to stop the power unit and all attachments quickly in the event of an emergency.



### Personal Protective Equipment Requirements

It is the responsibility of the owner to be sure that the operators use the proper personal protective equipment while operating the machine. Required personal protective equipment includes, but is not limited to, the following list.



- Wear a certified ear protection device to prevent loss of hearing.
- Prevent eye injury by wearing safety glasses while operating the machine.
- Closed toe shoes must be worn at all times.
- Long pants must be worn at all times.
- When operating in dusty conditions, it is recommended that a dust mask be worn.

### Operation Safety

- Inspect machine before operation. Repair or replace any damaged, worn, or missing parts. Be sure guards and shields are in proper working condition and are secured in place. Make all necessary adjustments before operating machine.
- Some pictures in this manual may show shields or covers opened or removed in order to clearly illustrate any instructions. Under no circumstance should the machine be operated without these devices in place.
- Alterations or modifications to this machine can reduce safety and could cause damage to the machine. Do not alter safety devices or operate with shields or covers removed.
- Before each use, verify that all controls function properly and inspect all safety devices. Do not operate if controls or safety devices are not in proper working condition.
- Check parking brake function before operating. Repair or adjust parking brake if necessary.
- Observe and follow all safety decals.
- All controls are to be operated from the operator's seat only.
- Always wear a seat belt if the machine has a roll cage/bar installed and in upright position.
- Ensure the attachment or accessory is locked or fastened securely to the power unit before operating.
- Ensure that all bystanders are clear of the power unit and attachment before operating. Stop machine if someone enters your work area.
- Always be alert to what is happening around you, but do not lose focus on the task you are performing. Always look in the direction the machine is moving.
- Look behind and down before backing up to be sure of a clear path.
- If you hit an object, stop and inspect the machine. Make all necessary repairs before operating machine again.
- Stop operation immediately at any sign of equipment failure. An unusual noise can be a warning of equipment failure or a sign that maintenance is required. Make all necessary repairs before operating machine again.

# SAFETY



## General Safety Procedures



### for Ventrac Power Units, Attachments, & Accessories

#### Operation Safety (continued)

- If equipped with a high/low range feature, never shift between high and low range while on a slope. Always move the machine to level ground and engage the parking brake before shifting range.
- Do not leave machine unattended while it is running.
- Always park the machine on level ground.
- Always shut off engine when connecting attachment drive belt to the power unit.
- Never leave the operator's seat without lowering the attachment to the ground, setting the parking brake, shutting off the engine, and removing the ignition key. Make sure all moving parts have come to a complete stop before dismounting.
- Never leave equipment unattended without lowering the attachment to the ground, setting the parking brake, shutting off the engine, and removing the ignition key.
- Only operate in well-lit conditions.
- Do not operate when there is a risk of lightning.
- Never direct the discharge of any attachment in the direction of people, buildings, animals, vehicles, or other objects of value.
- Never discharge material against a wall or obstruction. Material may ricochet back towards the operator.
- Use extra caution when approaching blind corners, shrubs, trees, or other objects that may obscure vision.
- Do not run the engine in a building without adequate ventilation.
- Do not touch the engine or the muffler while the engine is running or immediately after stopping the engine. These areas may be hot enough to cause a burn.
- Do not change the engine governor settings or over-speed the engine. Operating engine at excessive speed may increase the hazard of personal injury.
- To reduce the hazard of fire, keep the battery compartment, engine, and muffler areas free of grass, leaves, and excessive grease.

#### Preventing Accidents

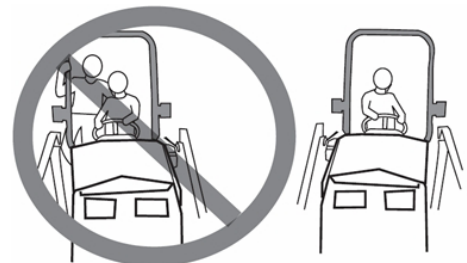


- Clear working area of objects that might be hit or thrown from machine.
- Keep people and pets out of mowing area.
- Know the work area well before operation. Do not operate where traction or stability is questionable.
- Reduce speed when you are operating over rough ground.
- Equipment can cause serious injury and/or death when improperly used. Before operating, know and understand the operation and safety of the power unit and the attachment being used.

- Do not operate machine if you are not in good physical and mental health, if you will be distracted by personal devices, or are under the influence of any substance which might impair decision, dexterity, or judgment.
- Children are attracted to machine activity. Be aware of children and do not allow them in the working area. Turn off the machine if a child enters the work area.

#### Keep Riders Off

- Only allow the operator on the power unit. Keep riders off.
- Never allow riders on any attachment or accessory.



# SAFETY



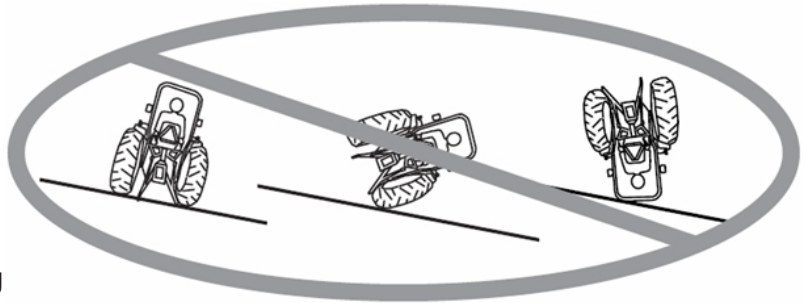
## General Safety Procedures



### for Ventrac Power Units, Attachments, & Accessories

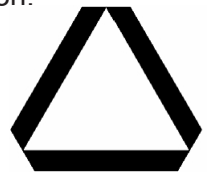
#### Operating On Slopes

- Slopes can cause loss-of-control and tip-over accidents, which can result in severe injury or death. Be familiar with the emergency parking brake, along with the power unit controls and their functions.
- If power unit is equipped with a fold down roll bar, it must be locked in the upright position when operating on any slope.
- Use low range (if equipped) when operating on slopes greater than 15 degrees.
- Do not stop or start suddenly when operating on slopes.
- Never shift between high and low range while on a slope. Always move the power unit to level ground and engage the parking brake before shifting range or placing the power unit in neutral.
- Variables such as wet surface and loose ground will reduce the degree of safety. Do not drive where machine could lose traction or tip over.
- Keep alert for hidden hazards in the terrain.
- Stay away from drop-offs, ditches, and embankments.
- Sharp turns should be avoided when operating on slopes.
- Pulling loads on hills decreases safety. It is the responsibility of the owner/operator to determine loads that can safely be controlled on slopes.
- Transport machine with attachment lowered or close to the ground to improve stability.
- While operating on slopes, drive in an up and down direction when possible. If turning is necessary while driving across slopes, reduce speed and turn slowly in the downhill direction.
- Assure a sufficient supply of fuel for continuous operation. A minimum of one-half tank of fuel is recommended.



#### Roadway Safety

- Operate with safety lights when operating on or near roadways.
- Obey all state and local laws concerning operation on roadways.
- Slow down and be careful of traffic when operating near or crossing roadways. Stop before crossing roads or sidewalks. Use care when approaching areas or objects that may obscure vision.
- If there is doubt of safety conditions, discontinue machine operation until a time when operation can be performed safely.
- When operating near or on roadways, have a Slow Moving Vehicle Emblem clearly displayed.



#### Truck Or Trailer Transport

- Use care when loading or unloading machine into a truck or trailer.
- Use full width ramps for loading machine into a truck or trailer.
- The parking brake is not sufficient to lock the machine during transport. Always secure the power unit and/or attachment to the transporting vehicle securely using straps, chains, cable, or ropes. Both front and rear straps should be directed down and outward from the machine.
- Shut off fuel supply to power unit during transport on truck or trailer.
- If equipped, turn the battery disconnect switch to the Off position to shut off electrical power.

# SAFETY



## General Safety Procedures for Ventrac Power Units, Attachments, & Accessories



### Maintenance

- Keep all safety decals legible. Remove all grease dirt, and debris from safety decals and instructional labels.
- If any decals are faded, illegible, or missing, contact your dealer promptly for replacements.
- When new components are installed, be sure that current safety decals are affixed to the replacement components.
- If any component requires replacement, use only original Ventrac replacement parts.
- Always turn the battery disconnect to the Off position or disconnect the battery before performing any repairs. Disconnect the negative terminal first and the positive terminal last. Reconnect the positive terminal first and the negative terminal last.
- Keep all bolts, nuts, screws, and other fasteners properly tightened.
- Always lower the attachment to the ground, engage parking brake, shut off engine, and remove the ignition key. Make sure all moving parts have come to a complete stop before cleaning, inspection, adjusting or repairing.
- If the power unit, attachment, or accessory requires repairs or adjustments not instructed in the operator's manual, the power unit, attachment, or accessory must be taken to an authorized Ventrac dealer for service.
- Never perform maintenance on the power unit and/or attachment if someone is sitting in the operator's seat.
- Always use protective glasses when handling the battery.
- Check all fuel lines for tightness and wear on a regular basis. Tighten or repair them as needed.
- To reduce the hazard of fire, keep the battery compartment, engine, and muffler areas free of grass, leaves, and excessive grease.
- Do not touch the engine, the muffler, or other exhaust components while the engine is running or immediately after stopping the engine. These areas may be hot enough to cause a burn.
- Allow the engine to cool before storing and do not store near an open flame.
- Do not change the engine governor settings or over-speed the engine. Operating engine at excessive speed may increase the hazard of personal injury.
- Springs may contain stored energy. Use caution when disengaging or removing springs and/or spring loaded components.
- An obstruction or blockage in a drive system or moving/rotating parts may cause a buildup of stored energy. When the obstruction or blockage is removed, the drive system or moving/rotating parts may move suddenly. Do not attempt to remove an obstruction or blockage with your hands. Keep hands, feet, and clothing away from all power-driven parts.
- Dispose of all fluids in accordance with local laws.

### Fuel Safety



- To avoid personal injury or property damage, use extreme care in handling gasoline. Gasoline is extremely flammable and the vapors are explosive.
- Do not refuel machine while smoking or at a location near flames or sparks.
- Always refuel the machine outdoors.
- Do not store machine or fuel container indoors where fumes or fuel can reach an open flame, spark, or pilot light.
- Only store fuel in an approved container. Keep out of reach of children.
- Never fill containers inside a vehicle or on a truck or trailer bed with a plastic liner. Always place containers on the ground away from your vehicle before filling.
- Remove machine from the truck or trailer and refuel it on the ground. If this is not possible, refuel the machine using a portable container, rather than from a fuel dispenser nozzle.
- Never remove fuel cap or add fuel with the engine running. Allow engine to cool before refueling.
- Never remove fuel cap while on a slope. Only remove when parked on a level surface.
- Replace all fuel tank and container caps securely.

# SAFETY



## General Safety Procedures for Ventrac Power Units, Attachments, & Accessories



### Fuel Safety (continued)

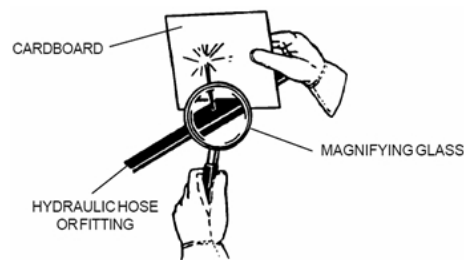
- Do not overfill fuel tank. Only fill to bottom of fuel neck, do not fill fuel neck full. Overfilling of fuel tank could result in engine flooding, fuel leakage from the tank, and damage to the emissions control system.
- If fuel is spilled, do not attempt to start the engine. Move the power unit away from the fuel spill and avoid creating any source of ignition until fuel vapors have dissipated.
- If the fuel tank must be drained, it should be drained outdoors into an approved container.
- Dispose of all fluids in accordance with local laws.
- Check all fuel lines for tightness and wear on a regular basis. Tighten or repair them as needed.
- The fuel system is equipped with a shut-off valve. Shut off the fuel when transporting the machine to and from the job, when parking the machine indoors, or when servicing the fuel system.

### Hydraulic Safety

- Make sure all hydraulic connections are tight and all hydraulic hoses and tubes are in good condition. Repair any leaks and replace any damaged or deteriorated hoses or tubes before starting the machine.
- Hydraulic leaks can occur under high pressure. Hydraulic leaks require special care and attention.
- Use a piece of cardboard and a magnifying glass to locate suspected hydraulic leaks.



- Keep body and hands away from pinhole leaks or nozzles that eject high pressure hydraulic fluid. Hydraulic fluid escaping under high pressure can penetrate the skin causing serious injury, leading to severe complications and/or secondary infections if left untreated. If hydraulic fluid is injected into the skin, seek immediate medical attention no matter how minor the injury appears.



- Hydraulic system may contain stored energy. Before performing maintenance or repairs on the hydraulic system, remove attachments, engage parking brake, disengage weight transfer system (if equipped), shut off engine, and remove ignition key. To relieve pressure on the auxiliary hydraulic system, shut off the power unit engine and move the secondary S.D.L.A. lever left and right before disconnecting the auxiliary hydraulic quick couplers.
- Dispose of all fluids in accordance with local laws.

# SAFETY

---



## MC600 Safety Procedures



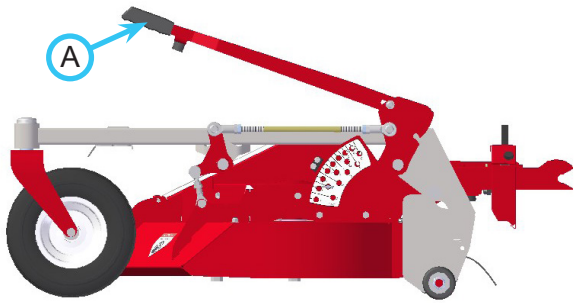
### Cutting Unit Safety

- Rotating Blades: Contact with the rotating mower blades or other moving parts may cause personal injury. Keep hands and feet away.
- Rotation of one blade may cause another blade to rotate.
- Thrown Object Hazard: Do not point discharge toward people, animals, or buildings when operating. Never operate with the deflectors removed.
- When not mowing, always shut off the PTO to stop the mower blades.
- Never raise the mower deck with the blades running.



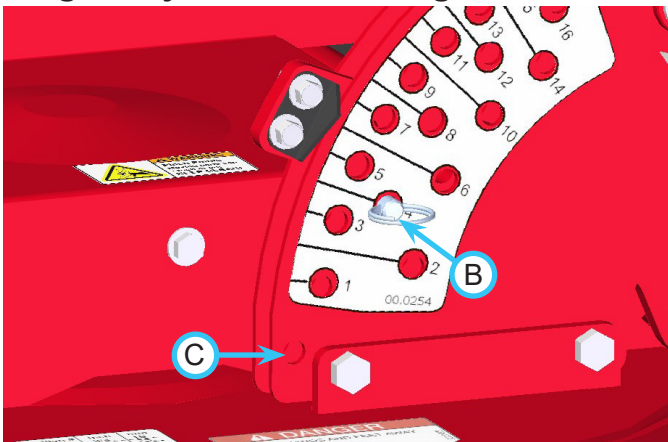
# OPERATIONAL CONTROLS

## Height Adjustment Handle



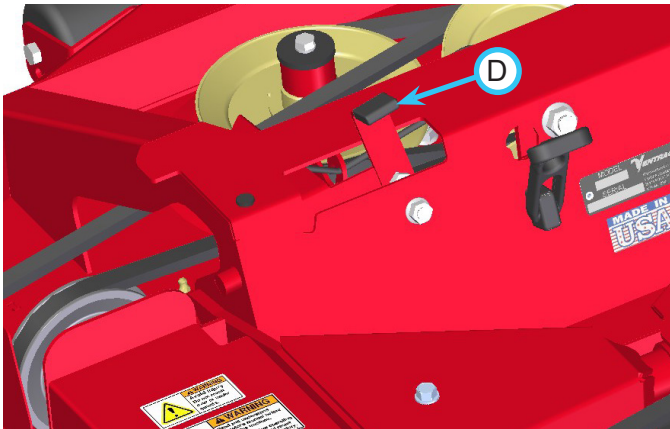
The height adjustment handle (A) is used to raise or lower the deck to achieve the desired cutting height.

## Height Adjustment Locking Pin



The height adjustment locking pin (B) locks the mower deck at the selected cutting height.

## Deck Pivot Latch



The deck pivot latch (D) performs two functions:

1. It enables the deck to pivot throughout the range of the operating position.
2. It locks the deck in the upright service position for service and maintenance.

Refer to the "Deck Flip-Up Procedure" in the service section of this manual for use of the deck pivot latch.

## S.D.L.A. Control Levers\*

The Speed, Direction, Lift, and Auxiliary control levers are located to the right side of the seat. The primary lever controls the speed and direction of the power unit, as well as the lift function of the front hitch. The secondary lever controls the auxiliary hydraulics.

### Primary S.D.L.A. Control Lever\*:

Pull the lever to the left to raise the power unit front hitch and MC600 mower deck. Push the lever to the right to lower the power unit front hitch and mower deck. The control lever must be in the float (detent) position during operation of the mower. Float position is attained by pushing the lever to the right until the float detent locks the lever in place.

### Weight Transfer\*

Terrain and ground conditions may affect the appropriate setting for the power unit's weight transfer system. In most cases, the weight transfer system should be set from 1/2 to 3/4 of maximum capacity.

\* Refer to power unit owner's manual for operation of power unit controls.

# GENERAL OPERATION

## Daily Inspection

### **WARNING**

Always set the parking brake, shut off the power unit engine, remove the ignition key, and ensure all moving parts have stopped before checking mower deck or blade condition, or attempting any repair or adjustment.

1. Park power unit and mower on a level surface, with the engine shut off and all fluids cold.
2. Perform a visual inspection of the power unit and mower. Look for loose or missing hardware, damaged components, or signs of wear. Inspect hydraulic hoses, hydraulic fittings, and fuel lines to ensure tight, leak free connections.
3. Refer to the power unit operator's manual. Check the power unit's engine oil, hydraulic oil, cooling system, tire pressure, and fuel level. Add fluid or service system as required.
4. Inspect the drive belts and mower blades. Belts should be in good condition. Blades should be sharp and securely fastened. Service as required.
5. Refer to the power unit operator's manual. Test the power unit's operator safety interlock system.

## Attaching

1. Drive the power unit slowly forward into the hitch arms of the MC600 mower. Align the lift arms of the power unit with the mower hitch arms by raising or lowering the front hitch and complete the engagement.
2. Once completely engaged, close the front hitch locking lever.\*
3. Engage the parking brake\* and shut off the engine.
4. Place the attachment belt onto the PTO drive pulley on the power unit. Ensure the belt is properly seated in each pulley.
5. Engage the PTO belt tensioning lever\*.
6. Engage the weight transfer system\*.

## Detaching

1. Park the power unit on a level surface and set the parking brake.\*
2. Disengage the weight transfer system\*.
3. Lower the mower to the ground.
4. Shut off power unit engine.
5. Disengage the PTO belt tensioning lever\*.
6. Remove the attachment belt from the PTO drive pulley of the power unit.

7. Open the front hitch locking lever\*.
8. Restart the power unit and slowly back away from the mower. A side to side movement of the steering wheel may aid disengagement.

## Mowing and Operating Procedure

Before operation, perform daily inspection and confirm that the cutting height is set properly. Set the power unit's weight transfer system to the desired setting.

With the power unit engine running between 2,000 and 3,000 RPM, engage the PTO switch. Adjust the throttle to the desired engine RPM.

Lower the mower deck to the ground and place the power unit's primary S.D.L.A. control lever in the float position by pushing it to the right until the detent engages. The lever will stay in this position until intentionally removed.

Begin forward motion in the desired path of mowing. Avoid obstacles, removing debris as necessary.

A stripe pattern in the grass is produced when each mowing pass is done in the opposite direction of the pass beside it. This look is enhanced by the full length roller, which helps to roll the grass in the direction of travel.

Lift the mower deck when the edge of the mowing area is reached. Turn the power unit and mower around and align for the next pass.

## Transport of Mower

Transport the mower deck with the power unit front hitch and mower fully raised to reduce wear of the equipment. Travel slowly when transporting over undulating and rough surfaces to maintain control of power unit and to reduce the shock to the power unit and mower deck. Always disengage the power unit PTO before transporting the mower.

\* Refer to power unit owner's manual for operation of power unit controls.



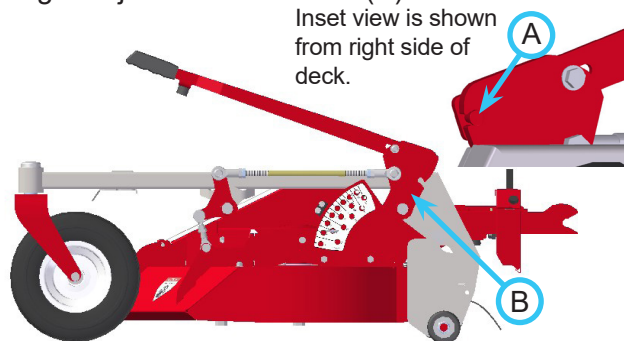
# GENERAL OPERATION

## Cutting Height Adjustment

### **⚠ WARNING**

Always set the parking brake, shut off the power unit engine, remove the ignition key, and ensure all moving parts have stopped before checking mower deck or blade condition, or attempting any repair or adjustment.

1. Lift the height adjustment handle upward and slide the handle toward the front of the deck to engage the handle pin (A) into the notch in the height adjustment lift rocker (B).



2. Lift the height adjustment handle slightly and remove the height adjustment locking pin.
3. Raise or lower the handle to the desired cutting height and replace the height adjustment locking pin.
4. Slide the height adjustment handle towards the rear of the deck until it is free of the height adjustment lift rocker and then rotate down to lay flat along the carrier frame.

Position #	Inch	mm
1	3/4	19
2	1	25
3	1-1/4	32
4	1-1/2	38
5	1-3/4	44
6	2	51
7	2-1/4	57
8	2-1/2	64
9	2-3/4	70
10	3	76
11	3-1/4	83
12	3-1/2	89
13	3-3/4	95
14	4	102
15	4-1/4	108
16	4-1/2	114

## **Mulching Kit #70.8088 (Optional Accessory)**

Mulching procedures may vary greatly due to climate, type of grass, and soil conditions. It is generally best to mow frequently and in dry conditions. Leaves are usually mulched and dispersed better when some grass is cut with the leaves.

Mulching often requires more power than normal mowing. When mulching wet and/or thick grass, more frequent cleaning of the underside of the deck may be necessary.

Mulching blades are recommended for mulching. High lift blades are not recommended. Blades must be sharp and in good condition for best results.

# SERVICE

## ⚠ WARNING

Always set the parking brake, shut off power unit engine, remove the ignition key, and ensure all moving parts have come to a complete stop before inspecting components or attempting any repair or adjustment.



## Attention

If any component requires replacement, use only original Ventrac replacement parts.

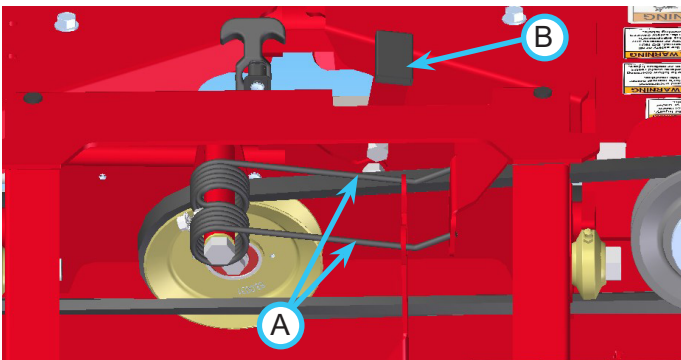
## Cleaning and General Maintenance

For best results, and to maintain the finish of the MC600, clean or wash the mower to remove accumulated clippings, leaves, and dirt when the job is finished. Refer to the "Deck Flip-up procedure" in the service section to access the underside of the deck.

If washing the deck, do not spray directly into bearings or seals. After washing, it is important to run the mower so that water does not reside on seals of bearings for the drive system. When washing is complete, return the deck to the operating position and activate the PTO for 30 seconds to remove any standing water.

## Deck Flip-Up Procedure (Service Position)

1. Park power unit on a smooth level surface.
2. Raise power unit front hitch to its highest position.
3. Set parking brake, shut off engine, and remove the key.
4. Adjust the mower deck height to setting #1.
5. Release the deck belt tensioning spring (A).



6. Move the deck pivot latch (B) toward the center of the deck to disengage and lift the mower deck up to a near vertical position.
7. Move the deck pivot latch back to lock the deck in the upright position.
8. To return the deck to the operating position, lift up on the front of the deck, move the pivot latch

towards the center of the deck, and lower the deck.

9. Release the deck pivot latch and engage the deck belt tensioning spring.

## Mower Blade Inspection/Replacement

### ⚠ CAUTION

Mower blades may be sharp. Always wear heavy gloves when working with mower blades.

1. Rotate the mower deck up to the service position following the deck flip-up procedure.
2. Inspect the mower blades to ensure cutting edges are sharp. If blades are dull or damaged, they must be removed and sharpened or replaced.
3. Place a short piece of 2 x 4 wood between the end of the blade and an appropriate structural part of the underside of the deck to prevent the blade from rotating.
4. Loosen the blade bolt counterclockwise and remove the blade for sharpening or replacement.
5. When installing a blade, the wood block must be placed on the opposite side to prevent rotation for tightening the blade bolt.
6. Torque the blade bolt to 75-80 ft lbs (102-108 Nm).

## Mower Blade Sharpening

Blades should be sharpened and balanced by a professional. Maintain balance, same bevel, and length of sharpened surface.

## Belt Inspection/Replacement



Glazing



Cracks



Separation



Streaked Sidewalls



Tensile Break

Inspecting the drive belts of the mower can prevent sudden belt failure by finding problems before they cause a belt to break. Typical wear on a drive belt may result in the conditions shown in the diagram. If any of these conditions occur, the drive belt will require replacement.

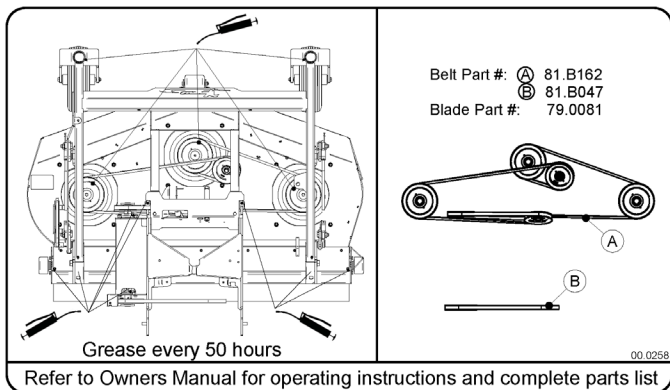
# SERVICE

## Drive Belt Replacement

1. Detach the mower deck from the power unit.
2. Remove the drive pulley shield.
3. Remove the old drive belt.
4. Install the new drive belt over the pulley and replace the drive pulley shield.

## Deck Belt Replacement

1. Detach the mower deck from the power unit.
2. Raise the deck shield, remove the left and right spindle pulley shields, and release the deck belt tensioning spring.
3. Remove the old belt.
4. Install the new deck belt. Place the belt into the pulley system according to the belt diagram located on the underside of the deck shield.



5. Ensure the belt is engaged in the groove of each pulley.
6. Engage the deck belt tensioning spring.

## Drive Belt Tensioning Adjustments

Both drive belts of the MC600 mower are spring loaded to maintain proper belt tension. No adjustments are required.

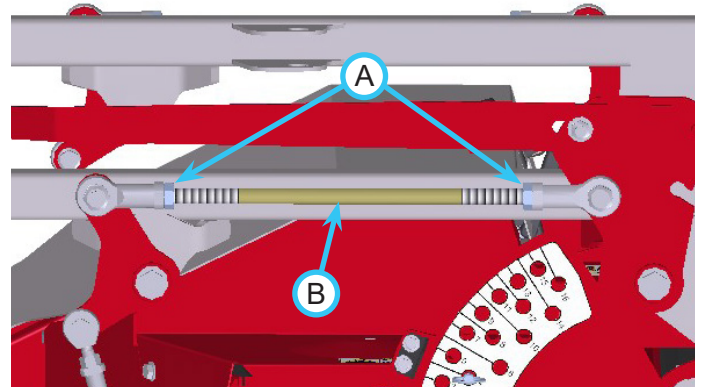
## Tire Pressure

Tire inflation should be maintained at 8-10 PSI. Pressure variance between the left and right tires can cause an uneven cut.

## Deck Leveling Procedure

1. Place the mower on a hard surface that is clean and level.
2. Place the height adjustment pin in the normal cutting height position (ie. If the deck is usually set at 2" (51mm) to mow, set it at 2" (51 mm) to level the deck).
3. Ensure both front tires are inflated to the recommended tire pressure (See Tire Pressure section).

4. Check the mower blades to ensure they are not bent.
5. Starting at either side of the deck, turn the blade so the cutting tip is at the back of the deck. Measure the distance from the flat surface to the blade tip.
6. Rotate the blade so the same tip is at the front of the deck and measure again. The blade tip should be level to 1/8" (3 mm) low at the front. If the measurement at the front of the deck is higher or more than 1/8" (3 mm) lower, the deck must be leveled.
7. To adjust, loosen the jam nuts (A) on the 1/2" (12.7 mm) connecting link (B) and turn the rod in or out until the correct measurement is reached. When adjustments are complete, retighten the jam nuts on the connecting link.



8. Repeat steps 5 through 7 for the opposite side of the deck. Adjusting one side can affect the opposite side, so care must be taken to recheck both sides of the deck when leveling is complete.

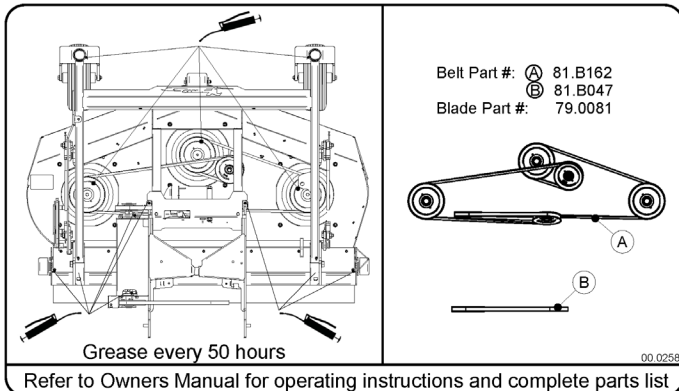
# SERVICE

## Lubrication

### **⚠ WARNING**

Always set the parking brake, shut off the power unit engine, remove the ignition key, and ensure all moving parts have stopped before checking mower deck or blade condition, or attempting any repair or adjustment.

Lubrication is required at the following locations using a lithium complex NLGI #2 grease. Refer to the maintenance schedule for service intervals and number of pumps of grease.



Grease points are shown on a decal located on the under side of the deck shield.

## Storage

### Preparing the MC600 Mower for Storage

1. Clean the mower deck and frame.
2. Inspect for loose or missing hardware, damaged components, or signs of wear.
3. Inspect hydraulic hoses and fittings (if equipped) to ensure tight, leak free connections. Repair or replace any damaged or worn components.
4. Inspect belts, spindles, and blades. Repair or replace any damaged or worn components.
5. Apply grease to all grease points.
6. Wipe off all excess grease or oil.

### Removing the MC600 Mower from Storage

Inspect, clean, and prepare the mower for use.

# SERVICE

## MC600 Maintenance Schedule

MC600

Maintenance Schedule	# of Locations	# of Pumps	AS NEEDED	Daily	At 50 Hours	At 100 Hours	At 150 Hours	At 200 Hours	At 250 Hours	At 300 Hours	At 350 Hours	At 400 Hours	At 450 Hours	At 500 Hours	At 550 Hours	At 600 Hours	At 650 Hours	At 700 Hours	At 750 Hours	At 800 Hours	At 850 Hours	At 900 Hours	At 950 Hours	At 1000 Hours	Yearly
Grease & Lubrication: See Lubrication Section																									
Caster Wheel Pivot	2	1			✓	✓	✓	✓	✓	✓	✓	✓	✓	✓	✓	✓	✓	✓	✓	✓	✓	✓	✓	✓	✓
Wheel Axle Bearing	2	^	**		✓	✓	✓	✓	✓	✓	✓	✓	✓	✓	✓	✓	✓	✓	✓	✓	✓	✓	✓	✓	✓
Rear Roller Bearing	2	1			✓	✓	✓	✓	✓	✓	✓	✓	✓	✓	✓	✓	✓	✓	✓	✓	✓	✓	✓	✓	✓
Jackshaft Bearing	2	1			✓	✓	✓	✓	✓	✓	✓	✓	✓	✓	✓	✓	✓	✓	✓	✓	✓	✓	✓	✓	✓
Spindle	3	3			✓	✓	✓	✓	✓	✓	✓	✓	✓	✓	✓	✓	✓	✓	✓	✓	✓	✓	✓	✓	✓
Height Adjustment Shaft Pivot	2	^	**		✓	✓	✓	✓	✓	✓	✓	✓	✓	✓	✓	✓	✓	✓	✓	✓	✓	✓	✓	✓	✓
Hitch Pivot	2	^			✓	✓	✓	✓	✓	✓	✓	✓	✓	✓	✓	✓	✓	✓	✓	✓	✓	✓	✓	✓	✓
Inspection																									
Inspect for Loose, Missing, or Worn Components.			✓																						
Inspect Belts, Pulleys, Blades, and Blade Retaining Bolts			✓																						
Check Tire Pressure			✓																						
Check Hitch Pivot Bolts. Torque to 75 ft-lbs (102 Nm)					✓		✓		✓		✓		✓		✓		✓		✓		✓		✓		✓
Inspect Safety Decals			✓																						
** Operation in severe conditions may require more frequent service intervals.																									
^ Grease until fresh grease is visible																									

## MC600 Maintenance Checklist

MC600

Maintenance Checklist	# of Locations	# of Pumps	AS NEEDED	Daily	At 50 Hours	At 100 Hours	At 150 Hours	At 200 Hours	At 250 Hours	At 300 Hours	At 350 Hours	At 400 Hours	At 450 Hours	At 500 Hours	At 550 Hours	At 600 Hours	At 650 Hours	At 700 Hours	At 750 Hours	At 800 Hours	At 850 Hours	At 900 Hours	At 950 Hours	At 1000 Hours	Yearly
Grease & Lubrication: See Lubrication Section																									
Caster Wheel Pivot	2	1																							
Wheel Axle Bearing	2	^																							
Rear Roller Bearing	2	1																							
Jackshaft Bearing	2	1																							
Spindle	3	3																							
Height Adjustment Shaft Pivot	2	^																							
Hitch Pivot	2	^																							
Inspection																									
Inspect for Loose, Missing, or Worn Components.																									
Inspect Belts, Pulleys, Blades, and Blade Retaining Bolts																									
Check Tire Pressure																									
Check Hitch Pivot Bolts. Torque to 75 ft-lbs (102 Nm)																									
Inspect Safety Decals																									
** Operation in severe conditions may require more frequent service intervals.																									
^ Grease until fresh grease is visible																									

# SPECIFICATIONS

---

## Dimensions

Overall Height . . . . .	17-1/2 inches (44.5 cm)
Overall Length . . . . .	52-1/2 inches (133.4 cm)
. . . . .	With 4000 series power unit, standard hitch - 119 inches (302.3 cm)
. . . . .	With 4000 series power unit, 3 point hitch - 128 inches (325 cm)
Overall Width . . . . .	60 inches (152.4 cm)
Cutting Width . . . . .	58 inches (147.3 cm)
Weight . . . . .	420 pounds (190.5 kg)
Blade Length . . . . .	20-1/2 inches (52 cm)
Cutting Height Range . . . . .	3/4" (1.9 cm) Min. to 4-1/2" (11.4) Max.
Cutting Height Adjustment Increments . . . . .	every 1/4" (.64 cm)
Front Wheels . . . . .	Pneumatic
Rear Roller . . . . .	Full Width, Smooth
Anti-scalp Roller . . . . .	Adjustable, 2 position

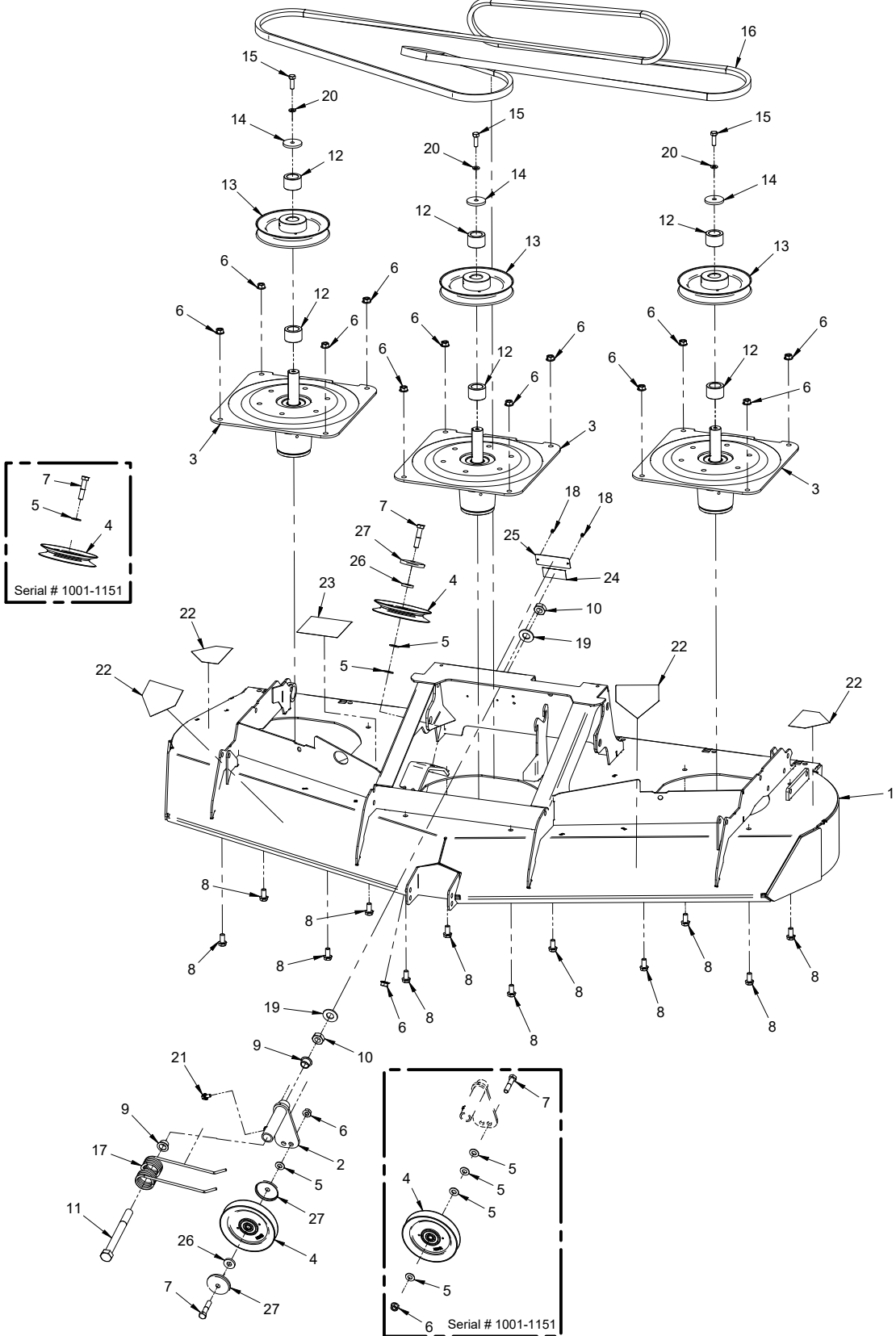
## Features

- Flip-up Deck Design
- Rear Discharge
- Center Front Roller for Anti-scalping
- Full Rear Roller for Even Cutting and Striping
- Full Floating Deck
- Field Serviceable Spindles

Blank Page

# PARTS

## ILLUSTRATED DRAWING Deck, Pulleys, & Belt





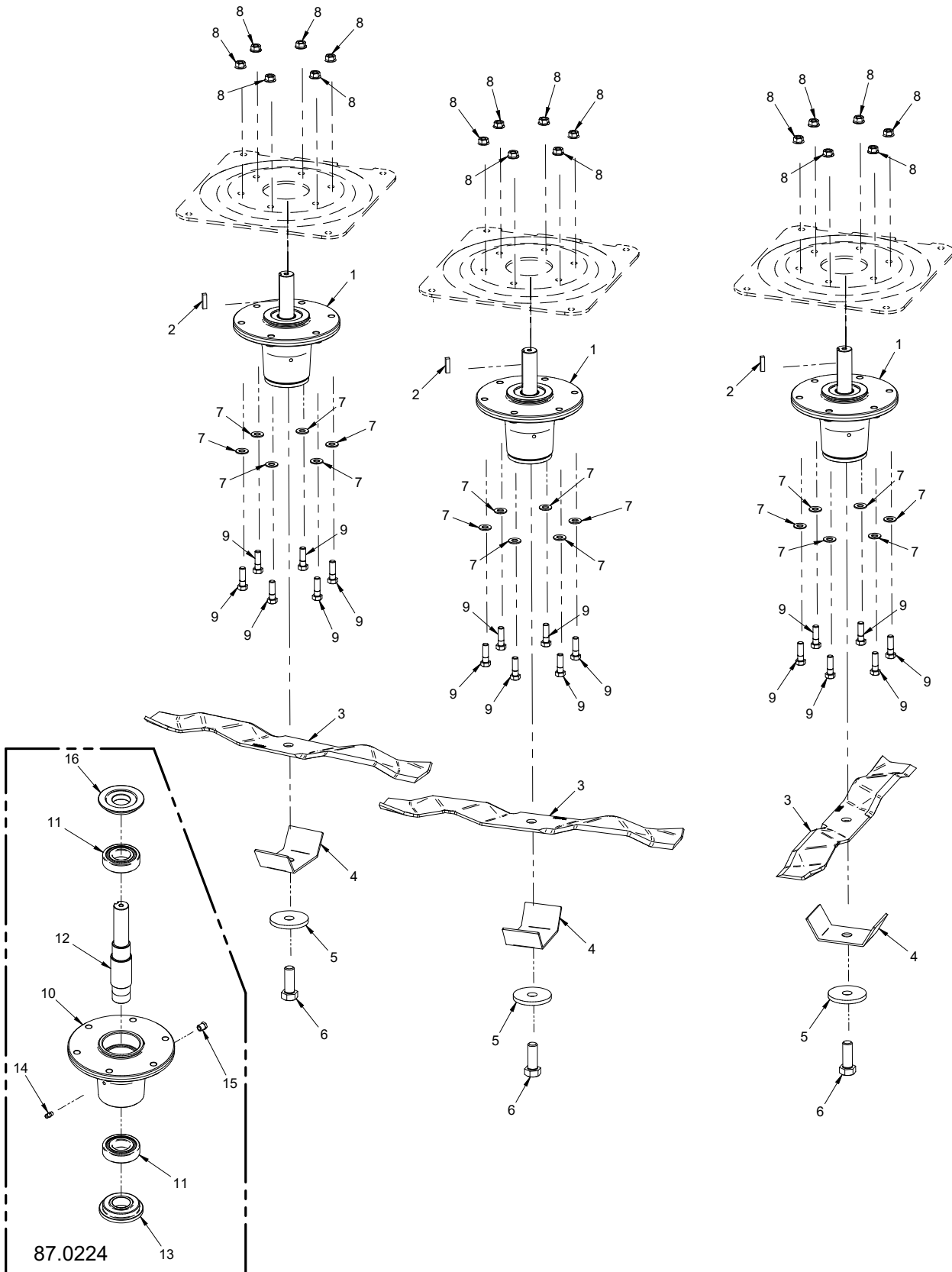
# PARTS

## Deck, Pulleys, & Belt

REF.	PART NO.	DESCRIPTION	QTY.
1	62.1033	.FRAME, DECK WELDMENT 60" MC	1
2	40.0367	.IDLER ARM, DECK BELT	1
3	64.1148	.PLATE, SPINDLE MOUNT MC600	3
4	83.0031	.PULLEY, V-IDLER 5-1/4 X 3/8 ID	2
5	95.06	.WASHER, FLAT 3/8 SAE	7
6	99.SF06	.NUT, SF 3/8-16 USS	14
7	90.0614	.BOLT, HEX 3/8-16 UNC X 1-3/4	2
8	99.SF0606	.BOLT, FLANGE 3/8-16 UNC X 3/4	12
9	85.B0088	.BUSHING, 5/8 ID X 3/4 OD X 1/2	2
10	99.E0076	.NUT, JAM 5/8-11 USS	2
11	90.1048	.BOLT, 5/8-11 UNC X 6	1
12	64.1445	.BUSHING, 1" ID X 1.5" OD X 1" L	6
13	83.0056	.PULLEY, 6-1/2, 25MM STR. BORE	3
14	99.B0096	.WASHER, .328IDX1.625ODX.188THK	3
15	90.0508	.BOLT, HEX 5/16-18 UNC X 1"	3
16	81.B162	.BELT, B162	1
17	41.0065	.SPRING, DOUBLE TORSION BLACK	1
18	04.0007	.RIVET, POP DOME 1/8 X 1/8 S.S.	2
19	95.10	.WASHER, FLAT 5/8 SAE	2
20	96.05	.WASHER, LOCK 5/16	3
21	99.SF0404	.BOLT, SF 1/4-20 X 1/2	1
22	00.0123	.DECAL, KEEP HANDS & FEET CLEAR	4
23	00.0062	.DECAL, DANGER SHIELD MISSING	1
24	00.0100	.DECAL, MADE IN USA	1
25	N/A	.DECAL, VENTRAC SERIAL NO. PLT.	1
26	99.G0014	.WASHER, 3/8 USS FW .165 THK (Serial # 1152-1300)	2
27	60.1056	.COVER, PULLEY (Serial # 1152-)	3

# PARTS

## ILLUSTRATED DRAWING Spindles & Blades



87.0224

# PARTS

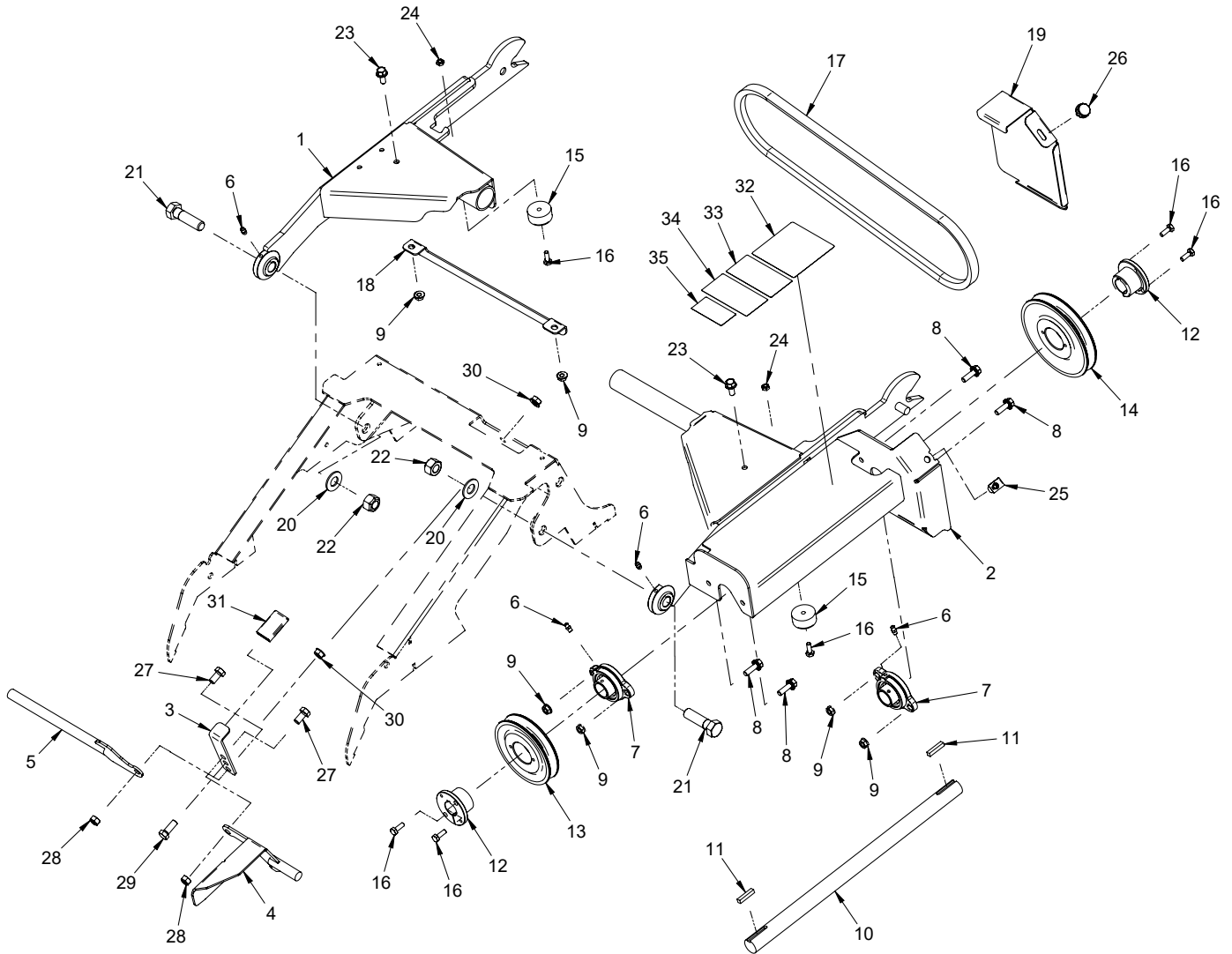
## Spindles & Blades

REF.	PART NO.	DESCRIPTION	QTY.
1	87.0224	.SPINDLE, HD ASM RH KEY 25MM.	3
2	85.K0408	.KEY, 1/4 X 1	3
3	79.0081	.BLADE, RH 20.5 X 5/8 HOLE MUL	3
4	64.1446	.GUARD, SPINDLE/ANTI-STRING	3
5	99.B0097	.WASHER, .635ID X 2-1/2OD X 1/4	3
6	91.1014	.BOLT, 5/8-18 SAE X 1 3/4	3
7	95.06	.WASHER, FLAT 3/8 SAE	18
8	99.E0082	.NUT, LOCKING FLANGE 3/8 - 16	18
9	90.0612	.BOLT, 3/8-16 USS X 1 1/2	18
10	87.0224-1	.HOUSING, SPINDLE	1
11	55.0070	.BEARING, 30MM X 62MM X 16MM	2
12	87.0224-2	.SHAFT, SPINDLE	1
13	87.0224-3	.SHIELD, BOTTOM	1
14	29.GF0001*	.GREASE FTG, 1/4 SAE ST	1
15	29.GF0017*	.RELIEF FITTING	1
16	87.0224-4	.SHIELD, TOP	1

\* Included with 87.0224-1 spindle housing.

# PARTS

## ILLUSTRATED DRAWING Hitch Arms



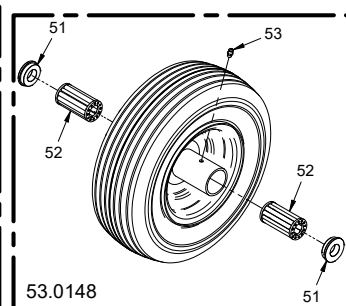
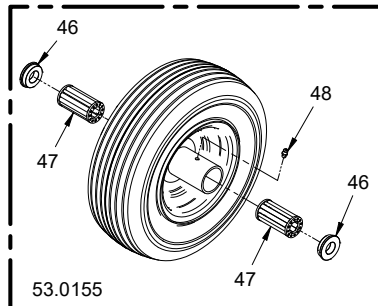
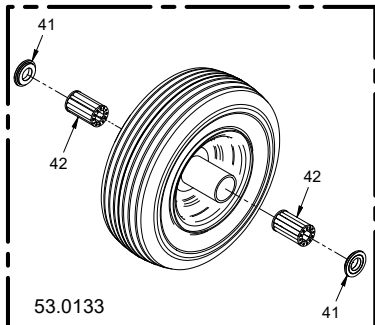
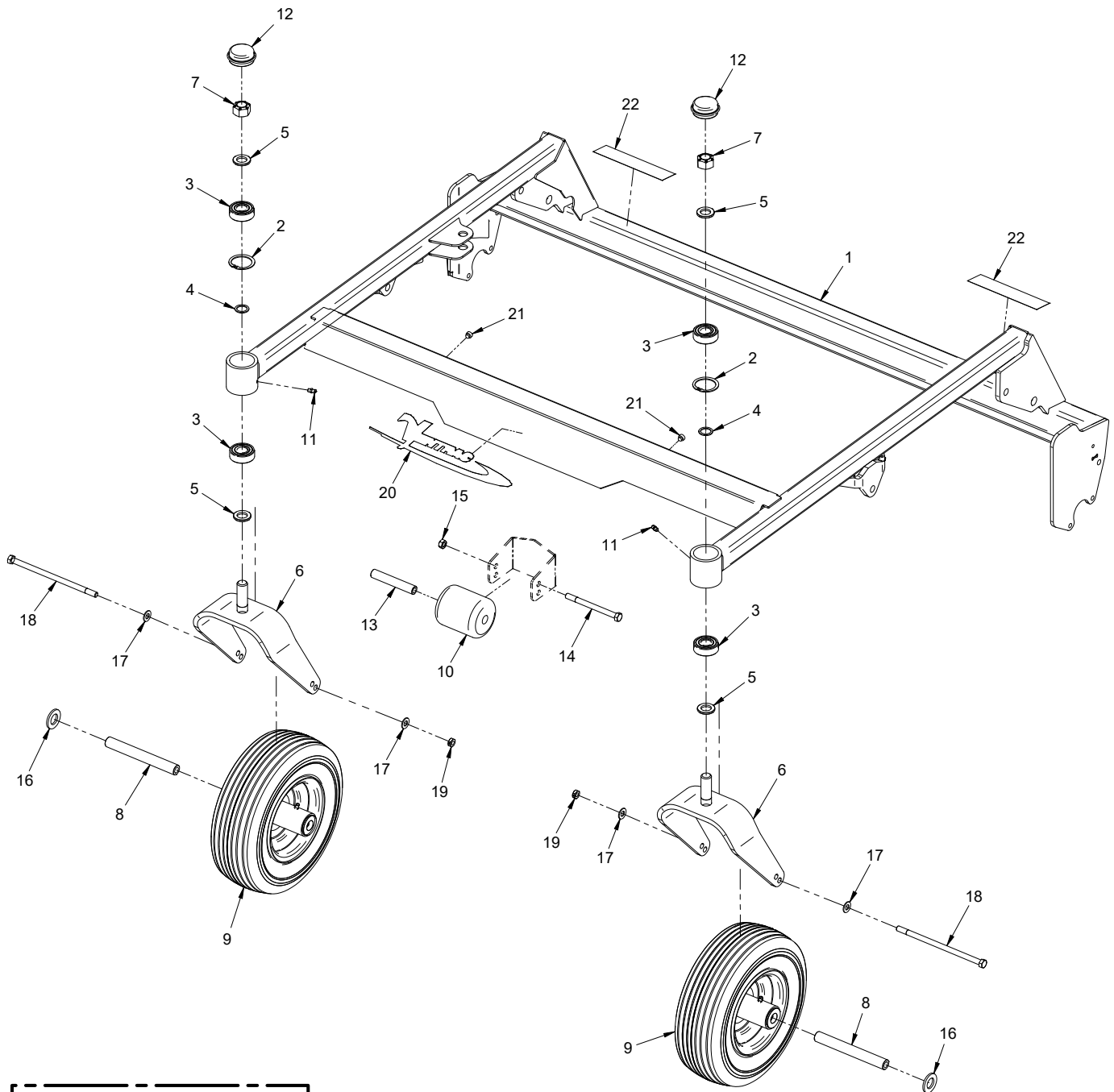
# PARTS

## Hitch Arms

REF.	PART NO.	DESCRIPTION	QTY.
1	62.1035	.HITCH, ARM RIGHT - MC	1
2	62.1036	.HITCH, ARM LEFT - MC	1
3	40.0324	.LEVER, DECK PIVOT LATCH	1
4	64.1150	.LATCH, DECK PIVOT MC600 LEFT	1
5	64.1149	.LATCH, DECK PIVOT MC600 RIGHT	1
6	29.GF0001	.GREASE FTG, 1/4 SAE ST	4
7	55.FB16016-1	.BEARING, FLANGE BLOCK 1"	2
8	99.SF0508	.BOLT, SF 5/16-18 USS X 1	4
9	99.SF05	.NUT, SF 5/16-18 USS	6
10	80.0354	.SHAFT, DRIVE	1
11	85.K0410	.KEY, 1/4 X 1-1/4	2
12	83.H16S	.BUSHING, 1" SPLIT 1/4" KEY	2
13	83.BK50H	.PULLEY, 5" H-BUSH	1
14	83.BK60H	.PULLEY, 6" H-BUSH	1
15	05.0095	.BUMPER, RUBBER CYLINDRICAL	2
16	90.0406	.BOLT, 1/4-20 USS X 3/4	6
17	81.B047	.BELT, B47	1
18	42.0450	.LINK, SPACING - LIFT ARMS	1
19	60.1044	.SHIELD, DRIVE PULLEY	1
20	95.10	.WASHER, FLAT 5/8 SAE	2
21	90.1018	.BOLT, 5/8-11 USS X 2 1/4	2
22	99.A10	.LOCKNUT, STOVER 5/8-11 USS	2
23	99.SF0506	.BOLT, SF 5/16-18 USS X 3/4	2
24	99.A04	.LOCKNUT, STOVER 1/4-20 USS	2
25	99.E0046	.NUT, "U" 1/4-20 EXTRUDED	1
26	47.0167	.KNOB, 1/4-20 X 1-1/4 DIA BLK	1
27	90.0606	.BOLT, 3/8-16 USS X 3/4	2
28	99.A06	.LOCKNUT, STOVER 3/8-16 USS	2
29	90.0608	.BOLT, 3/8-16 USS X 1	1
30	99.SF06	.NUT, SF 3/8-16 USS	2
31	06.0051	.CAP, 3/16 X 15/16 X 1-3/4 FE	1
32	00.0101	.DECAL, HAZARD-MOVING PART	1
33	00.0220	.DECAL, GENERAL SAFETY	1
34	00.0217	.DECAL, WARNING READ OWNERS MAN	1
35	00.0219	.DECAL, WARNING DO NOT REACH	1

# PARTS

## ILLUSTRATED DRAWING Carrier Frame, Wheels, & Front Roller



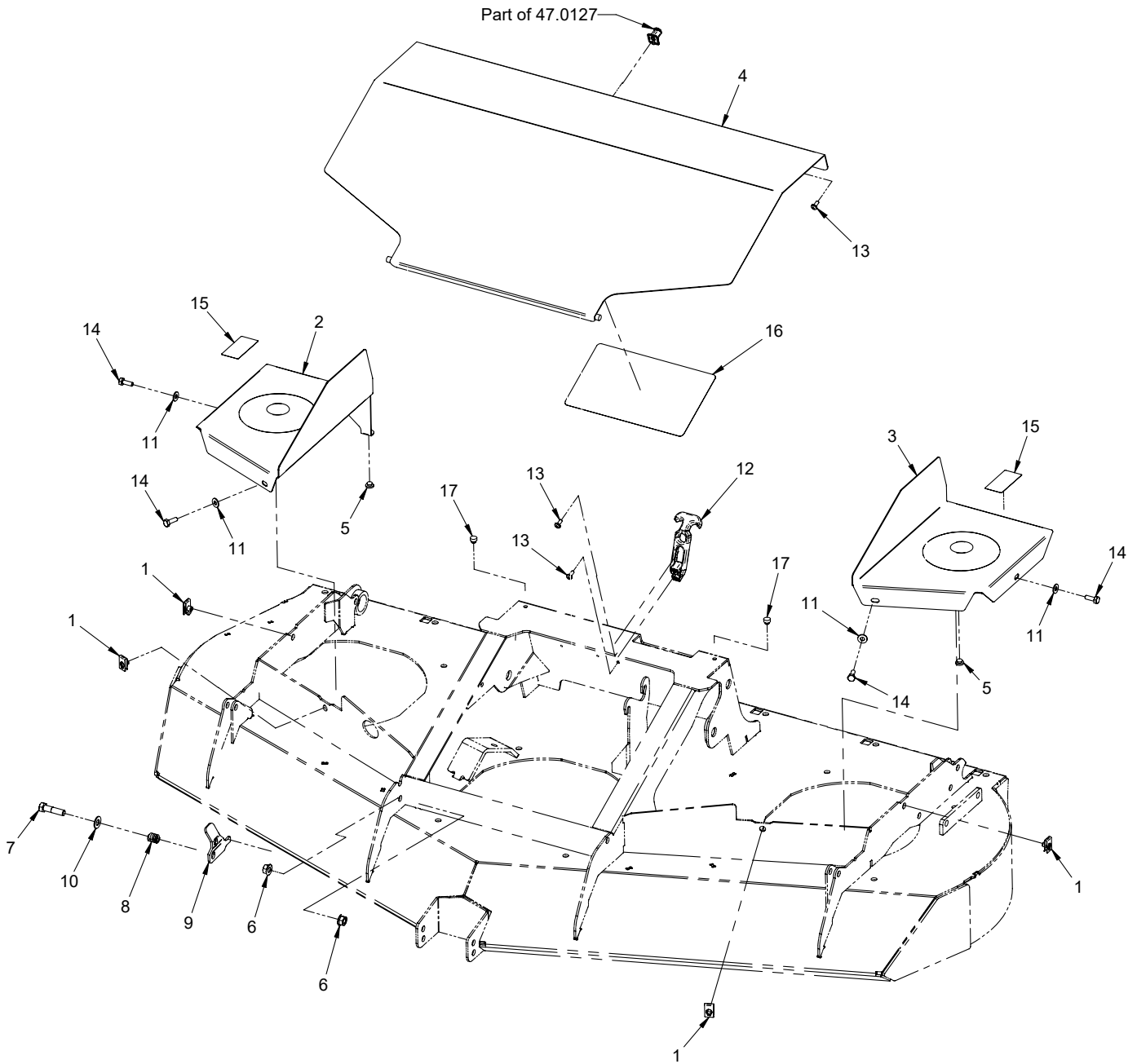
# PARTS

## Carrier Frame, Wheels, & Front Roller

REF.	PART NO.	DESCRIPTION	QTY.
1	62.1034	.FRAME, MOWER CARRIER 60"	1
2	04.0013	.SNAP RING, INT .062 X 1.75	2
3	55.0023	.BEARING, BALL .75 ID X 1.78 OD	4
4	99.B0052	.SHIM, STEEL 3/4 X 1 X .062	2
5	99.B0057-2	.WASHER, MACH 3/4 X 1-1/4 10 GA ZP	4
6	50.0183	.YOKE, CASTER 13", HIGH/LOW	2
7	99.A12NF	.LOCKNUT, STOVER 3/4-16 SAE	2
8	50.0050	.TUBE, RD 7/16 X 3/4 X 6-1/8L A.	2
9	53.0133	.WHEEL, ASM 13 X 5 X 6 CASTER (Serial # 1001-1200)	2
9	53.0155	.WHEEL, ASM 13 X 5 X 6 CASTER (Serial # 1201-)	2
9	53.0148	.WHEEL, ASM 13x5x6 RIB FLATFREE (Optional)	2
10	50.0047	.ROLLER, FRONT 3" DIA X 3-1/2"	1
11	29.GF0001	.GREASE FTG, 1/4 SAE ST	2
12	53.0080	.DUST CAP, BEARING MOWER CASTER	2
13	50.0046	.TUBE, RD .385 A 5/8 X 3-11/16L	1
14	90.0636	.BOLT, 3/8-16 USS X 4 1/2.	1
15	99.A06	.LOCKNUT, STOVER 3/8-16 USS	1
16	95.12	.WASHER, FLAT 3/4 SAE	2
17	95.06	.WASHER, FLAT 3/8 SAE	4
18	90.0660	.BOLT, 3/8-16 USS X 7-1/2.	2
19	99.A06C	.LOCKNUT, CENTER 3/8-16	2
20	00.0189	.DECAL, VENTRAC ORBITAL	1
21	05.0120	.BUMPER, NEOPRENE 10 GA - 1/4.	2
22	00.0265	.DECAL, THROWN OBJECT HAZARD	2
41	55.0066	.BEARING, RETAINER 3/4"	2
42	55.0065	.BEARING, 3/4 ROLLER 2-1/4" LG.	2
46	55.0072	.BEARING, RETAINER 3/4"	2
47	55.0088	.BEARING, ROLLER REPLACEMENT	2
48	29.GF0001	.GREASE FTG, 1/4 SAE ST	1
51	55.0072	.BEARING, RETAINER 3/4"	2
52	55.0088	.BEARING, ROLLER REPLACEMENT	2
53	29.GF0001	.GREASE FTG, 1/4 SAE ST	1

# PARTS

## ILLUSTRATED DRAWING Deck Shields





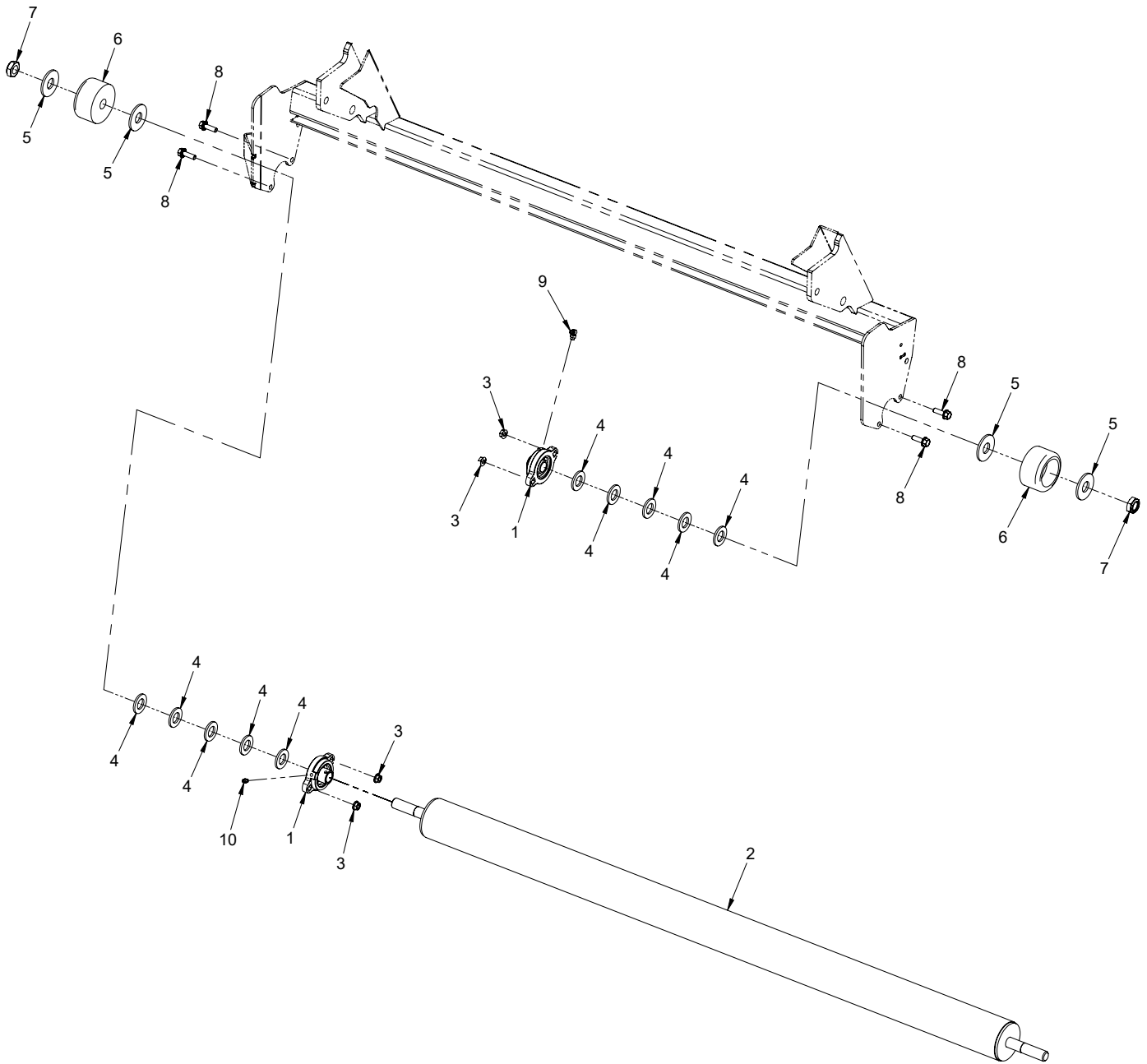
# PARTS

## Deck Shields

REF.	PART NO.	DESCRIPTION	QTY.
1	99.E0046	NUT, "U" 1/4-20 EXTRUDED	4
2	60.0895	SHIELD, RIGHT SPINDLE	1
3	60.0896	SHIELD, LEFT SPINDLE	1
4	60.0894	SHIELD, MAIN DECK	1
5	05.0062	BUMPER, NEOPRENE 18-12 GA.,	2
6	99.SF06	NUT, SF 3/8-16 USS	2
7	90.0612	BOLT, 3/8-16 USS X 1 1/2	1
8	41.0039	SPRING, COMP. 9/16 OD X 5/8	1
9	64.1154	BRACKET, MAIN SHIELD LATCH	1
10	95.06	WASHER, FLAT 3/8 SAE	1
11	95.04	WASHER, FLAT 1/4 SAE	4
12	47.0127	LATCH, RUBBER DRAW T-HANDLE	1
13	99.K0072	MACHINE SCREW, 10-24 X 1/2 ZP.	3
14	90.0406	BOLT, 1/4-20 USS X 3/4	4
15	00.0218	DECAL, WARNING PINCH POINT	2
16	00.0258	DECAL, MAINTENANCE MC.	1
17	05.0120	BUMPER, NEOPRENE 10 GA - 1/4	2

# PARTS

## ILLUSTRATED DRAWING Rear Roller



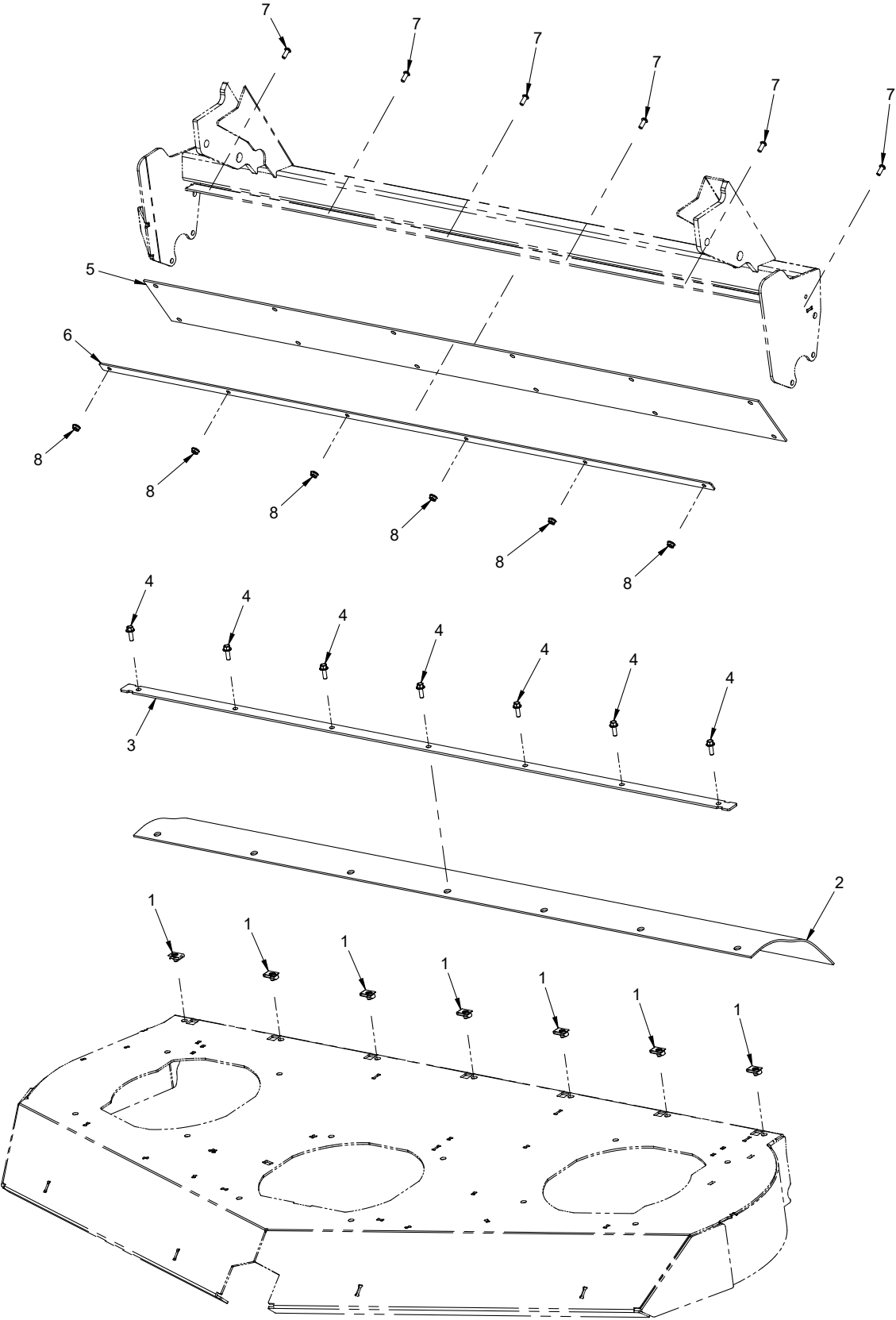
# PARTS

## Rear Roller

REF.	PART NO.	DESCRIPTION	QTY.
1	55.FB16012-1	.BEARING, FLANGE BLOCK 3/4"	2
2	80.0355	.ROLLER, REAR DECK	1
3	99.SF05	.NUT, SF 5/16-18 USS	4
4	95.12	.WASHER, FLAT 3/4 SAE	10
5	94.12	.WASHER, FLAT 3/4 USS	4
6	50.0181	.ROLLER, END 3" OD X 3/4 ID	2
7	99.E0088	.NUT, JAM 3/4-10 USS NYLON LOCKNUT	2
8	99.SF0508	.BOLT, SF 5/16-18 USS X 1	4
9	29.GF0002	.GREASE FTG, 1/4 SAE 90	1
10	29.GF0001	.GREASE FTG, 1/4 SAE ST	1

# PARTS

## ILLUSTRATED DRAWING Rear Belting



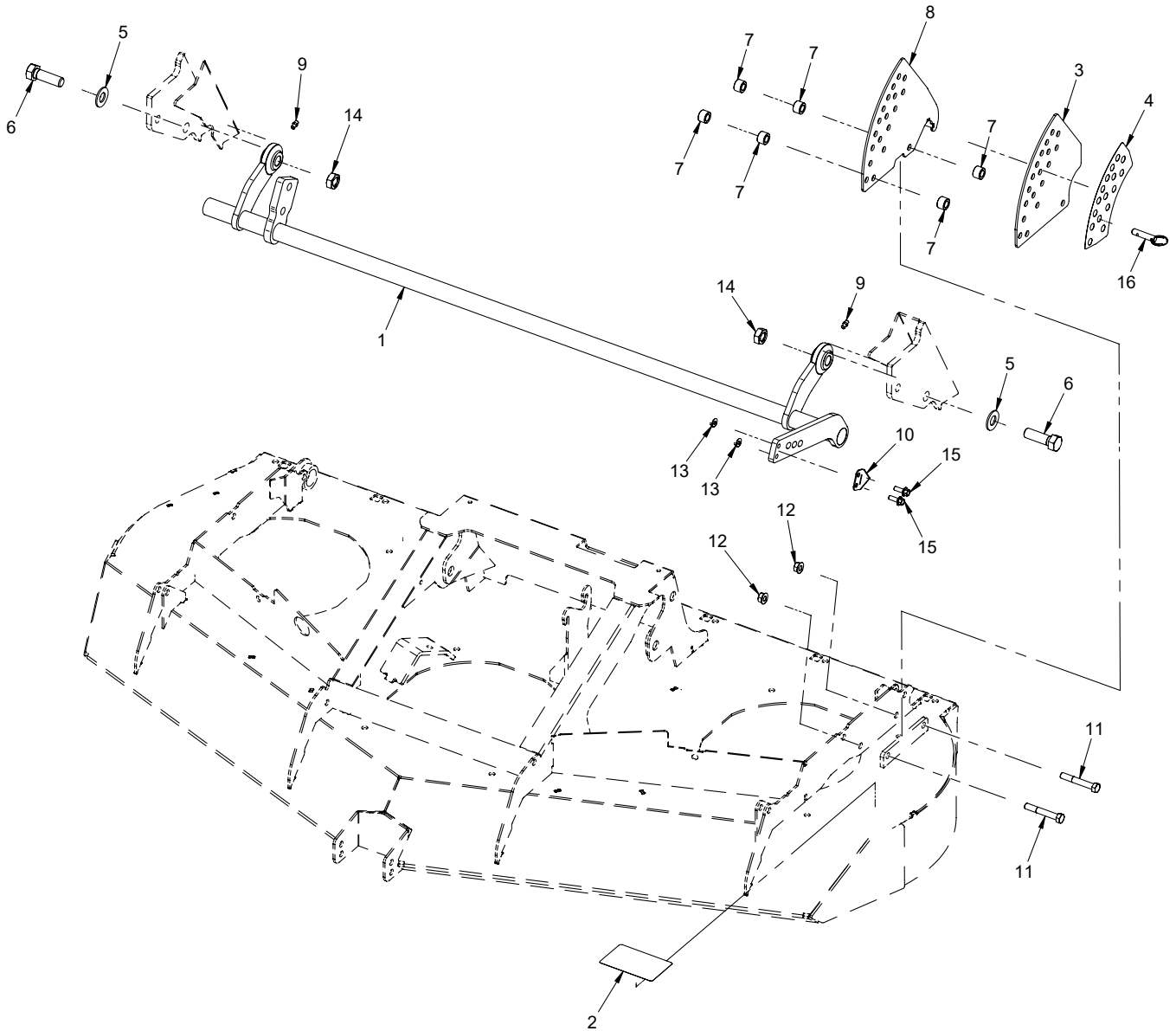
# PARTS

## Rear Belting

REF.	PART NO.	DESCRIPTION	QTY.
1	99.E0046	.NUT, "U" 1/4-20 EXTRUDED	7
2	44.0257	.BELTING, ROLLER COVER	1
3	64.1145	.CLAMP, BELT MC600	1
4	99.SF0406	.BOLT, SF 1/4-20 X 3/4	7
5	44.0259	.BELT, DEBRIS SHIELD	1
6	64.1463	.CLAMP, BELTING BACKER	1
7	99.K0069	.BOLT, BUT HD SOCK SS 1/4 X 5/8	6
8	99.SF04	.NUT, SF 1/4-20 USS	6

# PARTS

## ILLUSTRATED DRAWING Rear Crossbar



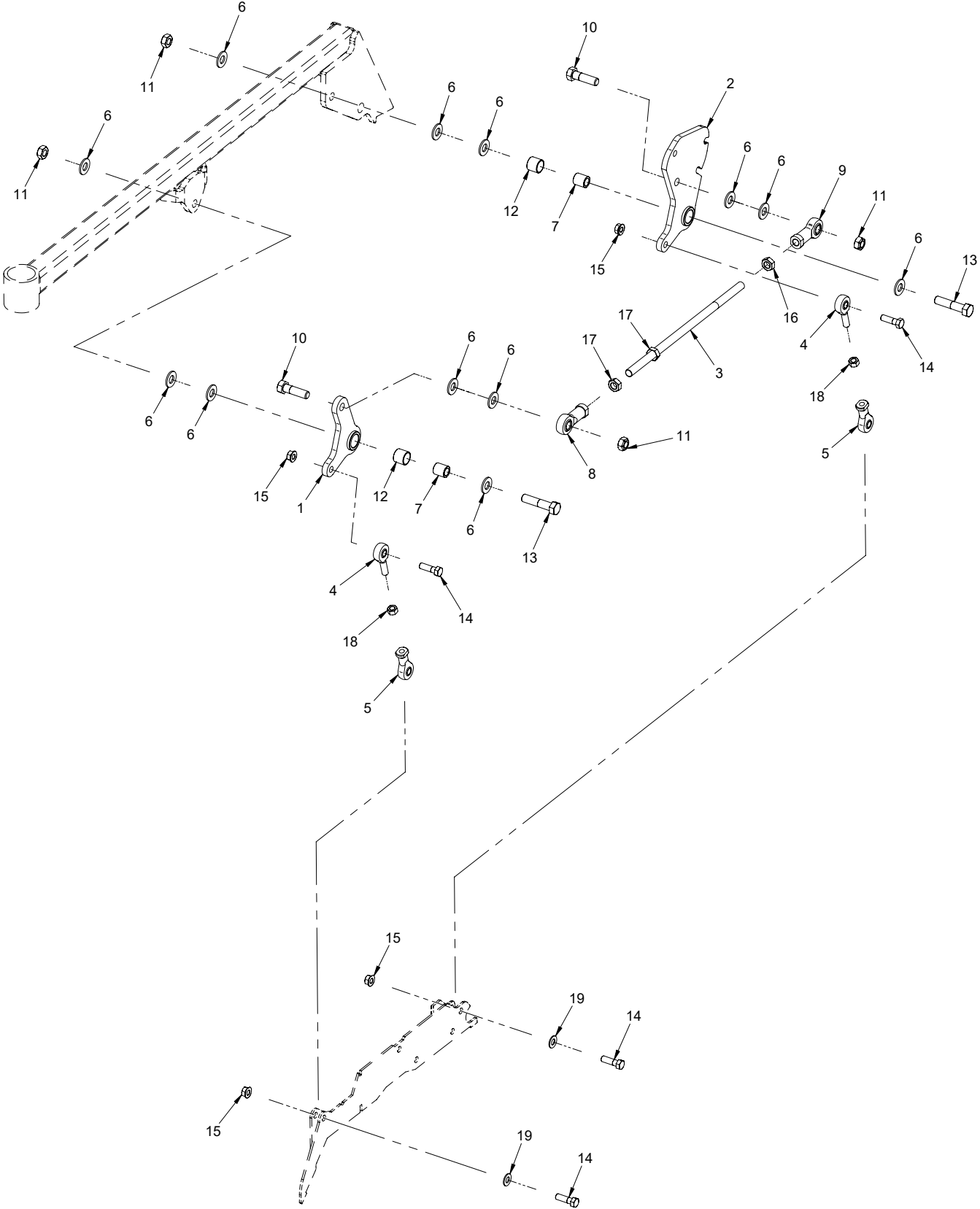
# PARTS

## Rear Crossbar

REF.	PART NO.	DESCRIPTION	QTY.
1	42.0470	.SHAFT, HEIGHT ADJ. CROSSBAR	1
2	00.0257	.DECAL, CUTTING HEIGHT CHART MC	1
3	64.1443	.PLATE, HEIGHT ADJUST SELECTOR	1
4	00.0254	.DECAL, HEIGHT ADJUST PLATE MC	1
5	95.10	.WASHER, FLAT 5/8 SAE	2
6	90.1016	.BOLT, 5/8-11 USS X 2	2
7	64.1395	.BUSHING, 3/8 ID X 3/4 OD X 1/2	6
8	64.1444	.PLATE, HT ADJUST SHAFT SUPPORT	1
9	29.GF0001	.GREASE FTG, 1/4 SAE ST	2
10	64.1442	.BRACKET, HEIGHT ADJ. INDICATOR	1
11	90.0620	.BOLT, 3/8-16 USS X 2 1/2	2
12	99.SF06	.NUT, SF 3/8-16 USS	2
13	99.SF04	.NUT, SF 1/4-20 USS	2
14	99.E0078	.NUT, JAM 5/8-11 USS LOCKING	2
15	99.SF0406	.BOLT, SF 1/4-20 X 3/4	2
16	03.0006	.PIN, BALL 3/8 X 1"	1

# PARTS

## ILLUSTRATED DRAWING Left Height Adjustment Linkage





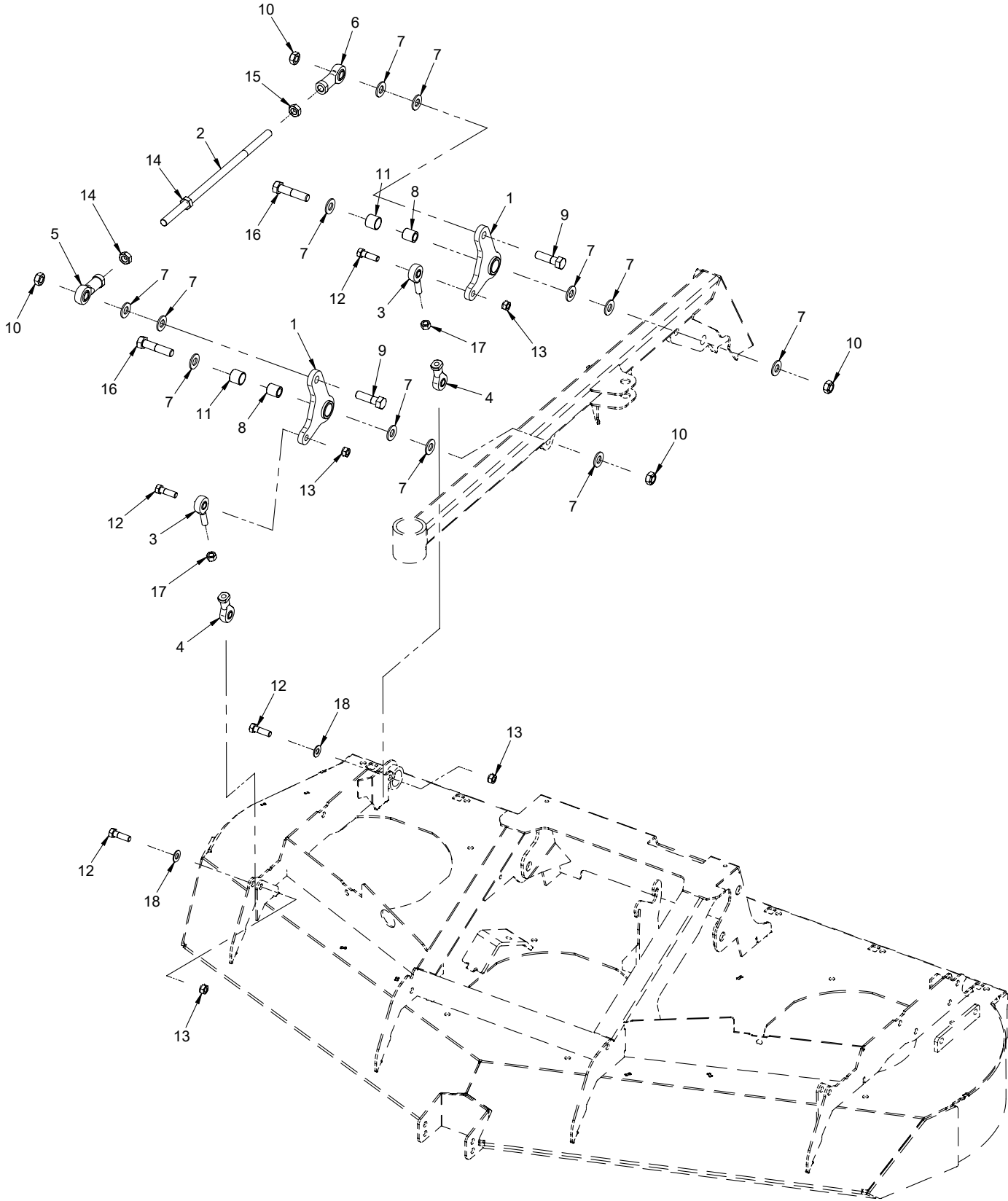
# PARTS

## Left Height Adjustment Linkage

REF.	PART NO.	DESCRIPTION	QTY.
1	64.1146	.LINK, LIFT ROCKER	1
2	64.1147	.LINK, LEFT REAR LIFT ROCKER MC	1
3	42.0542	.ROD, THREAD 1/2-20 X 13" RH/LH.	1
4	43.006M	.ROD END, 3/8 SPHERICAL, MALE	2
5	43.006	.ROD END, 3/8 SPHERICAL, FEMALE	2
6	95.08	.WASHER, FLAT 1/2 SAE	12
7	64.1394	.BUSHING, .510IDX 3/4ODX.813 SS	2
8	43.008	.ROD END, 1/2 SPHERICAL	1
9	43.008L	.ROD END, 1/2 SPHERICAL LH THRD	1
10	90.0814	.BOLT, 1/2-13 USS X 1 3/4.	2
11	99.A08.	.LOCKNUT, STOVER 1/2-13 USS	4
12	85.B0087	.BUSHING, 3/4 ID X 7/8 OD X 3/4.	2
13	90.0818	.BOLT, 1/2-13 USS X 2 1/4.	2
14	90.0610	.BOLT, 3/8-16 USS X 1 1/4.	4
15	99.SF06	.NUT, SF 3/8-16 USS	4
16	99.E0080	.NUT, JAM 1/2-20 LH ZP	1
17	99.E0079	.NUT, JAM 1/2-20 RH ZP	2
18	93.06	.NUT, 3/8-24 SAE	2
19	95.06	.WASHER, FLAT 3/8 SAE	2

# PARTS

## ILLUSTRATED DRAWING Right Height Adjustment Linkage



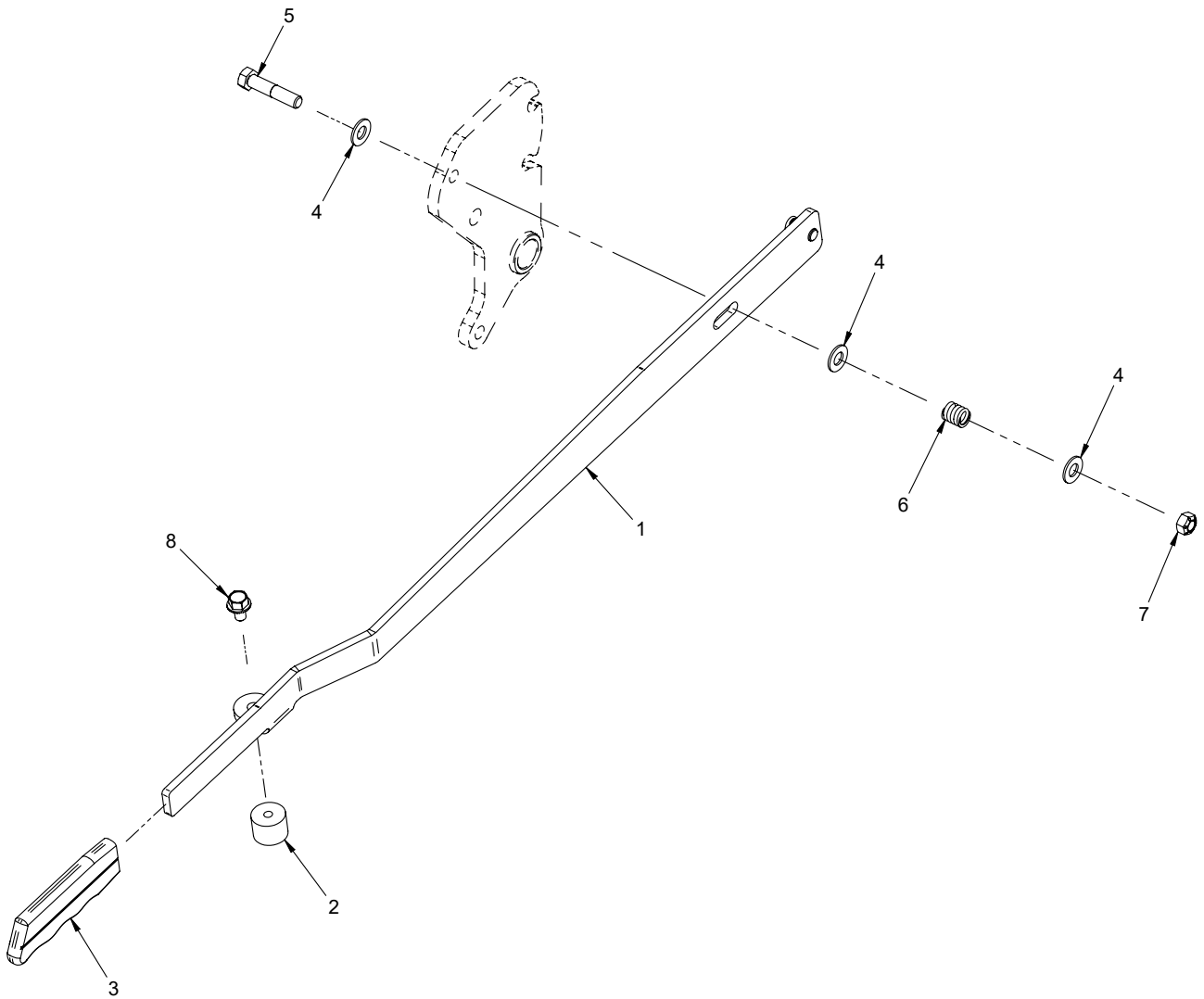
# PARTS

## Right Height Adjustment Linkage

REF.	PART NO.	DESCRIPTION	QTY.
1	64.1146	.LINK, LIFT ROCKER	2
2	42.0542	.ROD, THREAD 1/2-20 X 13" RH/LH	1
3	43.006M	.ROD END, 3/8 SPHERICAL, MALE	2
4	43.006	.ROD END, 3/8 SPHERICAL, FEMALE	2
5	43.008	.ROD END, 1/2 SPHERICAL	1
6	43.008L	.ROD END, 1/2 SPHERICAL LH THRD	1
7	95.08	.WASHER, FLAT 1/2 SAE	12
8	64.1394	.BUSHING, .510IDX 3/4ODX.813 SS	2
9	90.0814	.BOLT, 1/2-13 USS X 1 3/4	2
10	99.A08	.LOCKNUT, STOVER 1/2-13 USS	4
11	85.B0087	.BUSHING, 3/4 ID X 7/8 OD X 3/4	2
12	90.0610	.BOLT, 3/8-16 USS X 1 1/4	4
13	99.SF06	.NUT, SF 3/8-16 USS	4
14	99.E0079	.NUT, JAM 1/2-20 RH ZP	2
15	99.E0080	.NUT, JAM 1/2-20 LH ZP	1
16	90.0818	.BOLT, 1/2-13 USS X 2 1/4	2
17	93.06	.NUT, 3/8-24 SAE	2
18	95.06	.WASHER, FLAT 3/8 SAE	2

# PARTS

## ILLUSTRATED DRAWING Height Adjustment Handle



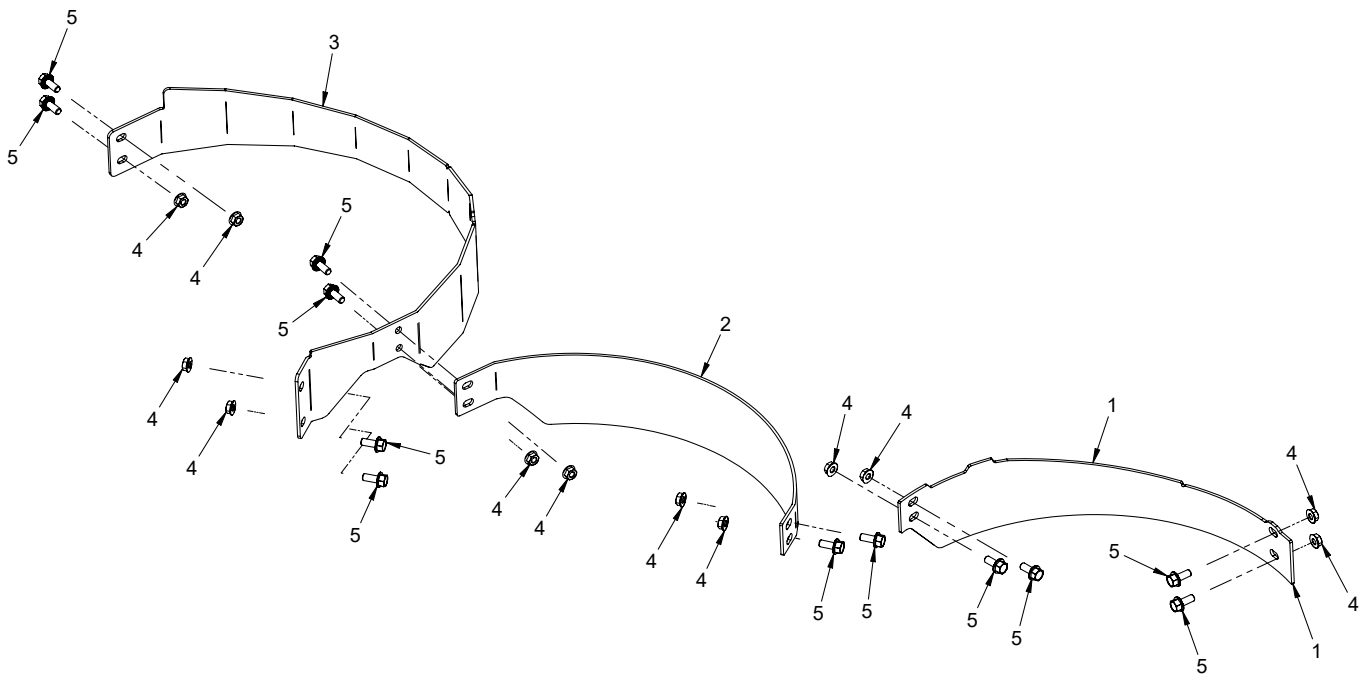
# PARTS

## Height Adjustment Handle

REF.	PART NO.	DESCRIPTION	QTY.
1	40.0360	HANDLE, HEIGHT ADJUST SELECTOR	1
2	05.0110	BUMPER, RUBBER 1" DIA	1
3	47.0086	GRIP, SLIP-ON HANDLE - BLACK	1
4	95.06	WASHER, FLAT 3/8 SAE	3
5	90.0614	BOLT, 3/8-16 USS X 1 3/4	1
6	41.0039	SPRING, COMP. 9/16 OD X 5/8	1
7	99.A06	LOCKNUT, STOVER 3/8-16 USS	1
8	99.SF0504	BOLT, SF 5/16-18 USS X 1/2	1

# PARTS

## ILLUSTRATED DRAWING Mulch Kit #70.8088



# PARTS

## Mulch Kit #70.8088

REF.	PART NO.	DESCRIPTION	QTY.
1	60.1047	.RING, MULCHING LEFT SIDE	1
2	60.1046	.RING, MULCHING CENTER	1
3	60.1045	.RING, MULCHING RIGHT SIDE	1
4	99.SF05	.NUT, SF 5/16-18 USS	12
5	99.SF0506	.BOLT, SF 5/16-18 USS X 3/4	12

# WARRANTY



## LIMITED WARRANTY - VENTRAC TURF EQUIPMENT

Venture Products, Inc. (shall be referred to as V.P.I.) warrants on the terms and conditions herein, that it will repair, replace, or adjust any part manufactured by Venture Products Inc. and found by Venture Products Inc. to be defective in material and / or workmanship.

Effective September 1<sup>st</sup> 2005, Ventrac warranty on power units & attachments (excluding the HG100/HG150 generator) for **residential use only** is limited to **three (3) years** from original purchase date. Ventrac power units & attachments used **commercially or for any income-producing purpose** is limited to **two (2) years** from original purchase date. Ventrac ET200 turbine blower (turbine only) is limited to **two (2) years** from original purchase date. Ventrac HG100/HG150 generator is limited to **one (1) year** from original purchase date. Ventrac power units & attachments used for **rental** is limited to **180 days** from original purchase date. (NOTE: All accessories such as: 3-point hitch, foot pedal, dual wheel kit, etc. will be covered under the above warranty periods as they would apply provided they are installed by an authorized Ventrac dealer.) This warranty may be transferred and will carry the remainder of the warranty starting from the original purchase/registration date with the dealership and/or V.P.I. In the event that product/s originally registered as **(3) year residential use** are to be transferred to a commercial user, the warranty would change to the remainder of **(2) year commercial use** starting from the original purchase/registration date with the dealership and/or V.P.I.

If this warranty covers a consumer product as defined by the Magnusson-Moss warranty act, no warranties, express or implied, (including, but not limited to, the warranty of merchantability or fitness for a particular purpose) shall extend beyond the applicable time period stated in bold face type above.

If this warranty covers a product used commercially or for any income producing purpose, the foregoing warranties are in lieu of all other warranties and no representations, guarantees or warranties, express or implied, (including, but not limited to, a warranty of merchantability or fitness for a particular purpose), are made by V.P.I. in connection with the manufacture or sale of its products.

The engine warranty is covered by its respective engine manufacturer. Please refer to the engine manufacturer's warranty statement that is included in the owner's manual.

The Ventrac turf equipment, including any defective parts, must be returned to an authorized Ventrac dealer within the warranty period. The warranty shall extend to the cost to repair or replace (as determined by V.P.I.) the defective part. **The expense of pickup and delivery of equipment, service call drive time or any transportation expense incurred for warranty repair is the sole responsibility of the owner and is not covered under warranty by Ventrac and/or V.P.I.** V.P.I.'s responsibility in respect to claims is limited to making the required repairs or replacements, and no claim of breach of warranty shall be cause for cancellation or rescission of the contract of sale of any Ventrac equipment. Proof of purchase may be required by the dealer to substantiate any warranty claim. Only warranty work performed and submitted by an authorized Ventrac dealer may be eligible for warranty credit.

This warranty extends only to Ventrac turf equipment operated under normal conditions and properly serviced and maintained. The warranty expressly does **not** cover: (a) any defects, damage or deterioration due to normal use, wear and tear, or exposure; (b) normal maintenance services, such as cleaning, lubrication, oil change; (c) replacement of service items, such as oil, lubricants, spark plugs, belts, rubber hoses or other items subject to normal service replacement; (d) damage or defects arising out of, or relating to abuse, misuse, neglect, alteration, negligence or accident; (e) repair or replacement arising from operation of, or use of the turf equipment which is not in accordance with operating instructions as specified in the operator's manual or other operational instructions provided by V.P.I.; (f) repair or replacement arising as a result of any operation from Ventrac turf equipment that has been altered or modified so as to, in the determination of V.P.I., adversely affect the operation, performance or durability of the equipment or that has altered, modified or affected the turf equipment so as to change the intended use of the product; (g) repair or replacement necessitated by the use of parts, accessories or supplies, including gasoline, oil or lubricants, incompatible with the turf



# WARRANTY

---



## LIMITED WARRANTY - VENTRAC TURF EQUIPMENT

equipment or other than as recommended in the operator's manual or other operational instructions provided by V.P.I.; (h) repairs or replacements resulting from parts or accessories which have adversely affected the operation, performance or durability of the turf equipment; or (i) damage or defects due to or arising out of repair of Ventrac turf equipment by person or persons other than an authorized Ventrac service dealer or the installation of parts other than genuine Ventrac parts or Ventrac recommended parts.

The sole liability of V.P.I. with respect to this warranty shall be repair and replacement as set forth herein. V.P.I. shall have no liability for any other cost, loss, or damage. In particular V.P.I. shall have no liability or responsibility for: (i) expenses relating to gasoline, oil, lubricants; (ii) loss, cost, or expense relating to transportation or delivery of turf equipment from the location of owner or location where used by owner to or from any authorized Ventrac dealer; (iii) travel time, overtime, after hours time or other extraordinary repair charges or charge relating to repairs or replacements outside of normal business hours at the place of business of an authorized Ventrac dealer; (iv) rental of like or similar replacement equipment during the period of any warranty repair or replacement work; (v) any telephone or telegram charges; (vi) loss or damage to person or property other than that covered by the terms of this warranty; (vii) any claims for lost revenue, lost profit or additional cost or expense incurred as a result of a claim of breach of warranty; or (viii) attorney's fees.

The remedies of buyer set forth herein are exclusive and are in lieu of all other remedies. The liability of V.P.I., whether in contract, tort, under any warranty, or otherwise, shall not extend beyond its obligation as set forth herein. V.P.I. shall not be liable for cost of removal or installation nor shall V.P.I. be responsible for any direct, indirect, special or consequential damages of any nature. In no event shall V.P.I. be liable for any sum in excess of the price received for the goods for which liability is claimed.

There are no representations or warranties which have been authorized to the buyer of the turf equipment other than set forth in this warranty. Any and all statements or representations made by any seller of this equipment, including those set forth in any sales literature or made orally by any sales representative, are superseded by the terms of this warranty. Any affirmation of fact or promise made by V.P.I. or any of its representatives to the buyer which relates to the goods that are the subject to this warranty shall not be regarded as part of the basis of the bargain and shall not be deemed to create any express warranty that such goods shall conform to the affirmation or promise.

No employee, distributor, or representative is authorized to change the foregoing warranties in any way or grant any other warranty on behalf of V.P.I.

Some states do not allow limitations on how long an implied warranty lasts or allow the exclusion on limitation of incidental or consequential damages, so the above limitation or exclusion may not apply to you.

This warranty gives you specific legal rights, and you may also have other rights which vary from state to state.

This warranty applies to all Ventrac turf equipment sold in the United States and Canada.