



*Operator's Manual
& Parts Drawings*

LK520

Rear Discharge Mower





500 Venture Drive
Orrville Oh 44667
www.ventrac.com

View all manuals



Visit ventrac.com/manuals for the latest version of this operator's manual.

A downloadable parts manual is also available.

To the Owner Contact Information and Product Identification

If you need to contact an authorized Ventrac dealer for information on servicing your product, always provide the product model and serial numbers.

Please fill in the following information for future reference. See the picture(s) below to find the location of the identification numbers. Record them in the spaces provided.

Date of Purchase: _____

Dealer: _____

Dealer Address: _____

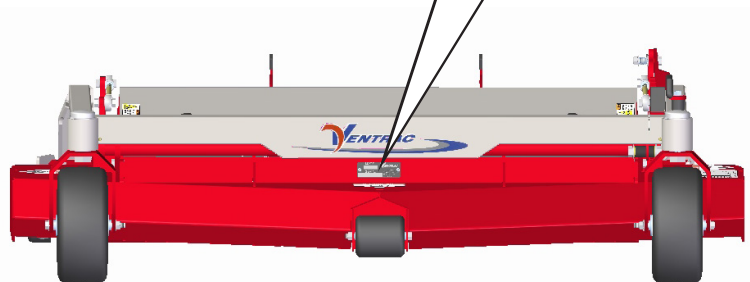
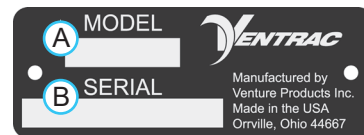
Dealer Phone Number: _____

Dealer Fax Number: _____

Model # (A): _____

Serial # (B): _____

Affix Part/Serial Number label here.



Venture Products Inc. reserves the right to make changes in design or specifications without obligation to make like changes on previously manufactured products.

TABLE OF CONTENTS

INTRODUCTION	PAGE 5
Product Description	5
Why Do I Need an Operator's Manual?	5
Using Your Manual	6
Manual Glossary	6
SAFETY	PAGE 7
Safety Decals	7
General Safety Procedures	9
Training Required	9
Personal Protective Equipment Requirements	9
Operation Safety	9
Preventing Accidents	10
Keep Riders Off	10
Operating On Slopes	11
Roadway Safety	11
Truck Or Trailer Transport	11
Maintenance	12
Fuel Safety	12
Hydraulic Safety	13
Cutting Unit Safety	14
OPERATIONAL CONTROLS	PAGE 15
Height Adjust Handle	15
Height Adjust Latch	15
Deck Pivot Latch	15
Belt Tension Spring	15
GENERAL OPERATION	PAGE 16
Daily Inspection	16
Attaching	16
Detaching	16
Mower Operation	16
Transport of Mower Deck	17
Cutting Height Adjustment	17
Mulching Kit (Optional Accessory)	17
SERVICE	PAGE 18
Cleaning and General Maintenance	18
Lubrication	18
Deck Flip-Up Procedure (Service Position)	18
Mower Blade Removal & Installation	18
Sharpening Blades	18
Tire Pressure	18
Deck Belt Replacement	19
Deck Leveling Procedure	19
Storage	19
Maintenance Schedule	20
Maintenance Checklist	20
SPECIFICATIONS	PAGE 21
Dimensions	21
Features	21

TABLE OF CONTENTS

PARTS	PAGE 22
Deck & Spindles.....	22
Hitch Arms.....	24
Carrier Frame.....	26
Front Wheel & Caster.....	28
Rear Roller.....	30
Deck Shields.....	32
70.8083 LK520 Mulching Kit.....	34
70.8110 LK520 Mulching Kit.....	36
WARRANTY	PAGE 38

INTRODUCTION



Venture Products Inc. is pleased to provide you with your new Ventrac LK520 rear discharge mower! We hope that Ventrac equipment will provide you with a ONE Tractor Solution.

Listed below are just some of the items that can provide you *versatility* as you use your LK520. Please visit our website, or contact your authorized Ventrac dealer for a complete list of items available for your new mower.

Accessories	Item Description	Part Number
	LK520 Mulching Kit	70.8110
	Blade, Low Lift (requires 3 per mower)	79.0039

Product Description

The LK520 mower was designed for the sole purpose of finish mowing. The LK520 features a 52" (132 cm) cutting width. The rear discharge design makes it easier to mow up against obstacles without worrying about a discharge chute getting in the way while protecting mulch beds, buildings, and vehicles from discharged grass and other debris.

Fourteen cutting positions set the height of cut from 3/4" (1.9 cm) to 4" (10.2 cm) in 1/4" (.6 cm) increments. The LK520 mower can be tilted to a near vertical position for maintenance and storage.

The LK520 features a full width rear roller for even cutting and striping.

Why Do I Need an Operator's Manual?

This manual has been created in sections to help you gain the important knowledge of what is needed to safely operate, maintain, and service this machine.

You must read and understand the operator's manual for each piece of Ventrac equipment you own. Reading the operator's manual will help you become familiar with each specific piece of equipment. Understanding the operator's manual will help you, as well as others, avoid personal injury and/or damage to the equipment. Keep this manual with the machine at all times. The manual should remain with the machine even if it is sold. If this manual becomes damaged or unreadable, it should be replaced immediately. Contact your local Ventrac dealer for a replacement.

When using a Ventrac attachment, be sure to read and follow the safety and operating instructions of both the power unit and the attachment being used to ensure the safest operation possible.

The information in this manual provides the operator with the safest procedures to operate the machine while getting the maximum use out of the unit. Failure to follow the safety precautions listed in this manual may result in personal injury and/or damage to the equipment.

INTRODUCTION

Using Your Manual

Throughout this manual, you will encounter special messages and symbols that identify potential safety concerns to help you as well as others avoid personal injury or damage to the equipment.

SYMBOL DEFINITIONS



ATTENTION

This symbol identifies potential health and safety hazards. It marks safety precautions. Your safety and the safety of others is involved.

There are three signal words that describe the level of safety concern: Danger, Warning, and Caution. Safety should always be the #1 priority when working on or operating equipment. Accidents are more likely to occur when proper operating procedures are not followed or inexperienced operators are involved.

Note: Right-Hand and Left-Hand orientations may be referred to at different places throughout this manual. Right-Hand and Left-Hand is determined as if sitting on the power unit seat facing forward.

SIGNAL WORD DEFINITIONS

⚠ DANGER

Indicates an imminently hazardous situation which, if not avoided, will result in death or serious injury. This signal word is limited to the most extreme cases.

⚠ WARNING

Indicates a potentially hazardous situation which, if not avoided, could result in death or serious injury.

⚠ CAUTION

Indicates a potentially hazardous situation which, if not avoided, may result in minor or moderate injury and/or property damage. It may also be used to alert against unsafe practices.

Manual Glossary

- Power Unit** A Ventrac tractor or other Ventrac engine powered device that may be operated by itself or with an attachment or accessory.
- Attachment** A piece of Ventrac equipment that requires a Power Unit for operation.
- Accessory** A device that attaches to a Power Unit or Attachment to extend its capabilities.
- Machine** Describes any "Attachment" or "Accessory" that is used in conjunction with a power unit.

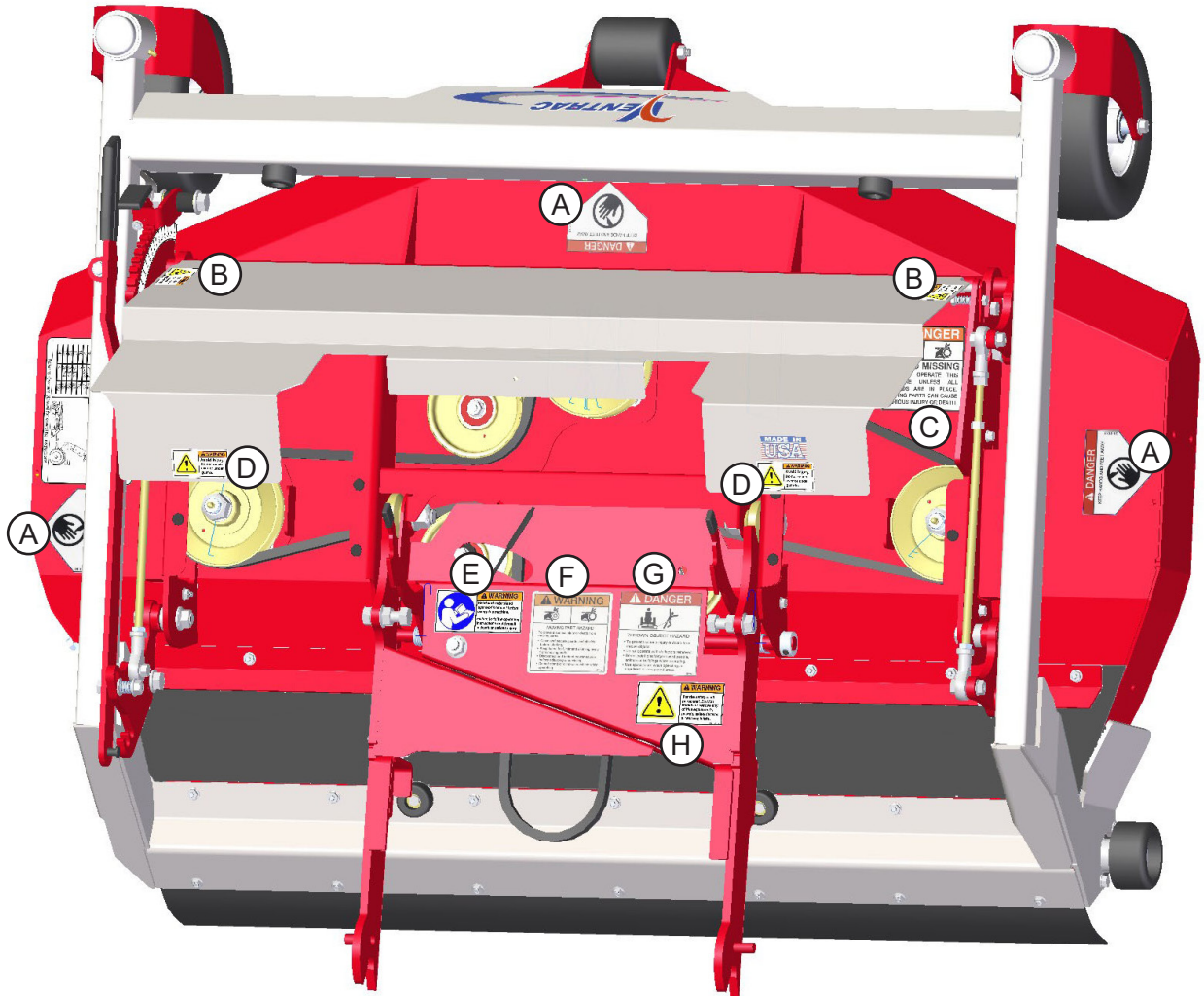
SAFETY

Safety Decals

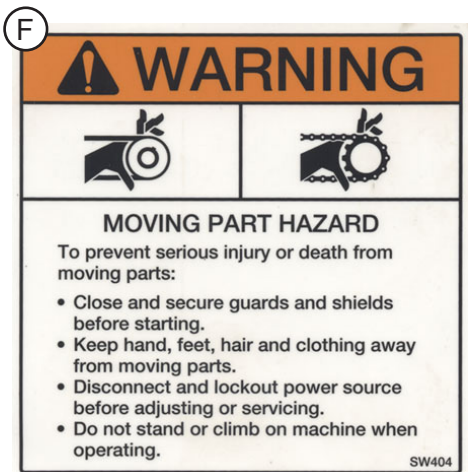
The following safety decals must be maintained on your LK520 mower.

Keep all safety decals legible. Remove all grease, dirt, and debris from safety decals and instructional labels. If any decals are faded, illegible, or missing, contact your dealer promptly for replacements.

When new components are installed, be sure that current safety decals are affixed to the replacement components.



SAFETY



Decal	Description	Part Number	Quantity
A	Danger - Keep Hands and Feet Away	00.0123	3
B	Warning - Pinch Point	00.0218	2
C	Danger - Shield Missing	00.0062	1
D	Warning - Do Not Reach	00.0219	2
E	Warning - Read Owner's Manual	00.0217	1
F	Warning - Moving Part Hazard	00.0101	1
G	Danger - Thrown Object Hazard	00.0122	2
H	Warning - General Safety	00.0220	1

SAFETY



General Safety Procedures for Ventrac Power Units, Attachments, & Accessories



Training Required

- The owner of this machine is solely responsible for properly training the operators.
- The owner/operator is solely responsible for the operation of this machine and prevention of accidents or injuries occurring to him/herself, other people, or property.
- Do not allow operation or service by children or untrained personnel. Local regulations may restrict the age of the operator.
- Before operating this machine, read the operator's manual and understand its contents.
- If the operator of the machine cannot understand this manual, then it is the responsibility of this machine's owner to fully explain the material within this manual to the operator.
- Learn and understand the use of all controls.
- Know how to stop the power unit and all attachments quickly in the event of an emergency.



Personal Protective Equipment Requirements

It is the responsibility of the owner to be sure that the operators use the proper personal protective equipment while operating the machine. Required personal protective equipment includes, but is not limited to, the following list.



- Wear a certified ear protection device to prevent loss of hearing.
- Prevent eye injury by wearing safety glasses while operating the machine.
- Closed toe shoes must be worn at all times.
- Long pants must be worn at all times.
- When operating in dusty conditions, it is recommended that a dust mask be worn.

Operation Safety

- Inspect machine before operation. Repair or replace any damaged, worn, or missing parts. Be sure guards and shields are in proper working condition and are secured in place. Make all necessary adjustments before operating machine.
- Some pictures in this manual may show shields or covers opened or removed in order to clearly illustrate any instructions. Under no circumstance should the machine be operated without these devices in place.
- Alterations or modifications to this machine can reduce safety and could cause damage to the machine. Do not alter safety devices or operate with shields or covers removed.
- Before each use, verify that all controls function properly and inspect all safety devices. Do not operate if controls or safety devices are not in proper working condition.
- Check parking brake function before operating. Repair or adjust parking brake if necessary.
- Observe and follow all safety decals.
- All controls are to be operated from the operator's station only.
- Always wear a seat belt if the machine has a roll cage/bar installed and in upright position.
- Ensure the attachment or accessory is locked or fastened securely to the power unit before operating.
- Ensure that all bystanders are clear of the power unit and attachment before operating. Stop machine if someone enters your work area.
- Always be alert to what is happening around you, but do not lose focus on the task you are performing. Always look in the direction the machine is moving.
- Look behind and down before backing up to be sure of a clear path.
- If you hit an object, stop and inspect the machine. Make all necessary repairs before operating machine again.
- Stop operation immediately at any sign of equipment failure. An unusual noise can be a warning of equipment failure or a sign that maintenance is required. Make all necessary repairs before operating machine again.

SAFETY



General Safety Procedures for Ventrac Power Units, Attachments, & Accessories



Operation Safety (continued)

- If equipped with a high/low range feature, never shift between high and low range while on a slope. Always move the machine to level ground and engage the parking brake before shifting range.
- Do not leave machine unattended while it is running.
- Always park the machine on level ground.
- Always shut off engine when connecting attachment drive belt to the power unit.
- Never leave the operator's station without lowering the attachment to the ground, setting the parking brake, shutting off the engine, and removing the ignition key. Make sure all moving parts have come to a complete stop before dismounting.
- Never leave equipment unattended without lowering the attachment to the ground, setting the parking brake, shutting off the engine, and removing the ignition key.
- Only operate in well-lit conditions.
- Do not operate when there is a risk of lightning.
- Never direct the discharge of any attachment in the direction of people, buildings, animals, vehicles, or other objects of value.
- Never discharge material against a wall or obstruction. Material may ricochet back towards the operator.
- Use extra caution when approaching blind corners, shrubs, trees, or other objects that may obscure vision.
- Do not run the engine in a building without adequate ventilation.
- Do not touch the engine or the muffler while the engine is running or immediately after stopping the engine. These areas may be hot enough to cause a burn.
- Do not change the engine governor settings or over-speed the engine. Operating engine at excessive speed may increase the hazard of personal injury.
- To reduce the hazard of fire, keep the battery compartment, engine, and muffler areas free of grass, leaves, excessive grease, and other flammable materials.

Preventing Accidents

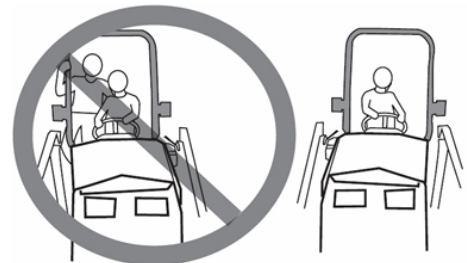


- Clear working area of objects that might be hit or thrown from machine.
- Keep people and pets out of working area.
- Know the work area well before operation. Do not operate where traction or stability is questionable.
- Reduce speed when you are operating over rough ground.
- Equipment can cause serious injury and/or death when improperly used. Before operating, know and understand the operation and safety of the power unit and the attachment being used.

- Do not operate machine if you are not in good physical and mental health, if you will be distracted by personal devices, or are under the influence of any substance which might impair decision, dexterity, or judgment.
- Children are attracted to machine activity. Be aware of children and do not allow them in the working area. Turn off the machine if a child enters the work area.

Keep Riders Off

- Only allow the operator on the power unit. Keep riders off.
- Never allow riders on any attachment or accessory.



SAFETY

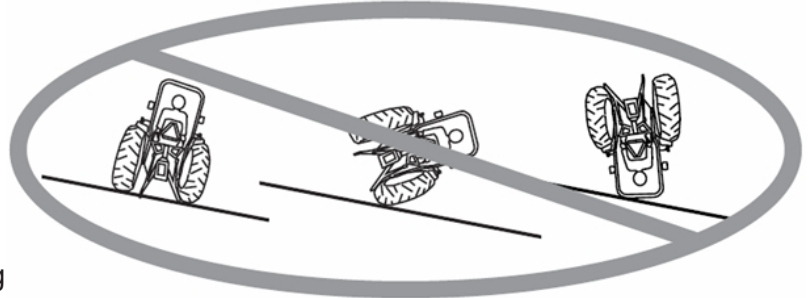


General Safety Procedures for Ventrac Power Units, Attachments, & Accessories



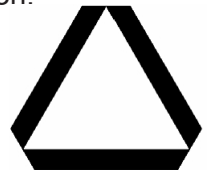
Operating On Slopes

- Slopes can cause loss-of-control and tip-over accidents, which can result in severe injury or death. Be familiar with the emergency parking brake, along with the power unit controls and their functions.
- If power unit is equipped with a fold down roll bar, it must be locked in the upright position when operating on any slope.
- Use low range (if equipped) when operating on slopes greater than 15 degrees.
- Do not stop or start suddenly when operating on slopes.
- Never shift between high and low range while on a slope. Always move the power unit to level ground and engage the parking brake before shifting range or placing the power unit in neutral.
- Variables such as wet surface and loose ground will reduce the degree of safety. Do not drive where machine could lose traction or tip over.
- Keep alert for hidden hazards in the terrain.
- Stay away from drop-offs, ditches, and embankments.
- Sharp turns should be avoided when operating on slopes.
- Pulling loads on hills decreases safety. It is the responsibility of the owner/operator to determine loads that can safely be controlled on slopes.
- Transport machine with attachment lowered or close to the ground to improve stability.
- While operating on slopes, drive in an up and down direction when possible. If turning is necessary while driving across slopes, reduce speed and turn slowly in the downhill direction.
- Assure a sufficient supply of fuel for continuous operation. A minimum of one-half tank of fuel is recommended.



Roadway Safety

- Operate with safety lights when operating on or near roadways.
- Obey all state and local laws concerning operation on roadways.
- Slow down and be careful of traffic when operating near or crossing roadways. Stop before crossing roads or sidewalks. Use care when approaching areas or objects that may obscure vision.
- If there is doubt of safety conditions, discontinue machine operation until a time when operation can be performed safely.
- When operating near or on roadways, have a Slow Moving Vehicle Emblem clearly displayed.



Truck Or Trailer Transport

- Use care when loading or unloading machine into a truck or trailer.
- Use full width ramps for loading machine into a truck or trailer.
- The parking brake is not sufficient to lock the machine during transport. Always secure the power unit and/or attachment to the transporting vehicle securely using straps, chains, cable, or ropes. Both front and rear straps should be directed down and outward from the machine.
- Shut off fuel supply to power unit during transport on truck or trailer.
- If equipped, turn the battery disconnect switch to the Off position to shut off electrical power.

SAFETY



General Safety Procedures for Ventrac Power Units, Attachments, & Accessories



Maintenance

- Keep all safety decals legible. Remove all grease dirt, and debris from safety decals and instructional labels.
- If any decals are faded, illegible, or missing, contact your dealer promptly for replacements.
- When new components are installed, be sure that current safety decals are affixed to the replacement components.
- If any component requires replacement, use only original Ventrac replacement parts.
- Always turn the battery disconnect to the Off position or disconnect the battery before performing any repairs. Disconnect the negative terminal first and the positive terminal last. Reconnect the positive terminal first and the negative terminal last.
- Keep all bolts, nuts, screws, and other fasteners properly tightened.
- Always lower the attachment to the ground, engage parking brake, shut off engine, and remove the ignition key. Make sure all moving parts have come to a complete stop before cleaning, inspection, adjusting or repairing.
- If the power unit, attachment, or accessory requires repairs or adjustments not instructed in the operator's manual, the power unit, attachment, or accessory must be taken to an authorized Ventrac dealer for service.
- Never perform maintenance on the power unit and/or attachment if someone is in the operator's station.
- Always use protective glasses when handling the battery.
- Check all fuel lines for tightness and wear on a regular basis. Tighten or repair them as needed.
- To reduce the hazard of fire, keep the battery compartment, engine, and muffler areas free of grass, leaves, and excessive grease.
- Do not touch the engine, the muffler, or other exhaust components while the engine is running or immediately after stopping the engine. These areas may be hot enough to cause a burn.
- Allow the engine to cool before storing and do not store near an open flame.
- Do not change the engine governor settings or over-speed the engine. Operating engine at excessive speed may increase the hazard of personal injury.
- Springs may contain stored energy. Use caution when disengaging or removing springs and/or spring loaded components.
- An obstruction or blockage in a drive system or moving/rotating parts may cause a buildup of stored energy. When the obstruction or blockage is removed, the drive system or moving/rotating parts may move suddenly. Do not attempt to remove an obstruction or blockage with your hands. Keep hands, feet, and clothing away from all power-driven parts.
- Dispose of all fluids in accordance with local laws.

Fuel Safety



- To avoid personal injury or property damage, use extreme care in handling gasoline. Gasoline is extremely flammable and the vapors are explosive.
- Do not refuel machine while smoking or at a location near flames or sparks.
- Always refuel the machine outdoors.
- Do not store machine or fuel container indoors where fumes or fuel can reach an open flame, spark, or pilot light.
- Only store fuel in an approved container. Keep out of reach of children.
- Never fill containers inside a vehicle or on a truck or trailer bed with a plastic liner. Always place containers on the ground away from your vehicle before filling.
- Remove machine from the truck or trailer and refuel it on the ground. If this is not possible, refuel the machine using a portable container, rather than from a fuel dispenser nozzle.
- Never remove fuel cap or add fuel with the engine running. Allow engine to cool before refueling.
- Never remove fuel cap while on a slope. Only remove when parked on a level surface.
- Replace all fuel tank and container caps securely.

SAFETY



General Safety Procedures for Ventrac Power Units, Attachments, & Accessories



Fuel Safety (continued)

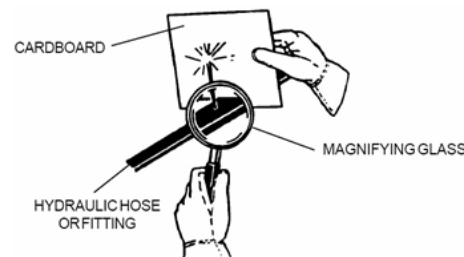
- Do not overfill fuel tank. Only fill to bottom of fuel neck, do not fill fuel neck full. Overfilling of fuel tank could result in engine flooding, fuel leakage from the tank, and/or damage to the emissions control system.
- If fuel is spilled, do not attempt to start the engine. Move the power unit away from the fuel spill and avoid creating any source of ignition until fuel vapors have dissipated.
- If the fuel tank must be drained, it should be drained outdoors into an approved container.
- Dispose of all fluids in accordance with local laws.
- Check all fuel lines for tightness and wear on a regular basis. Tighten or repair them as needed.
- The fuel system is equipped with a shut-off valve. Shut off the fuel when transporting the machine to and from the job, when parking the machine indoors, or when servicing the fuel system.

Hydraulic Safety

- Make sure all hydraulic connections are tight and all hydraulic hoses and tubes are in good condition. Repair any leaks and replace any damaged or deteriorated hoses or tubes before starting the machine.
- Hydraulic leaks can occur under high pressure. Hydraulic leaks require special care and attention.
- Use a piece of cardboard and a magnifying glass to locate suspected hydraulic leaks.



- Keep body and hands away from pinhole leaks or nozzles that eject high pressure hydraulic fluid. Hydraulic fluid escaping under high pressure can penetrate the skin causing serious injury, leading to severe complications and/or secondary infections if left untreated. If hydraulic fluid is injected into the skin, seek immediate medical attention no matter how minor the injury appears.



- Hydraulic system may contain stored energy. Before performing maintenance or repairs on the hydraulic system, remove attachments, engage parking brake, disengage weight transfer system (if equipped), shut off engine, and remove ignition key. To relieve pressure on the auxiliary hydraulic system, shut off the power unit engine and move the hydraulic control lever left and right before disconnecting the auxiliary hydraulic quick couplers.
- Dispose of all fluids in accordance with local laws.

SAFETY



LK520 Safety Procedures



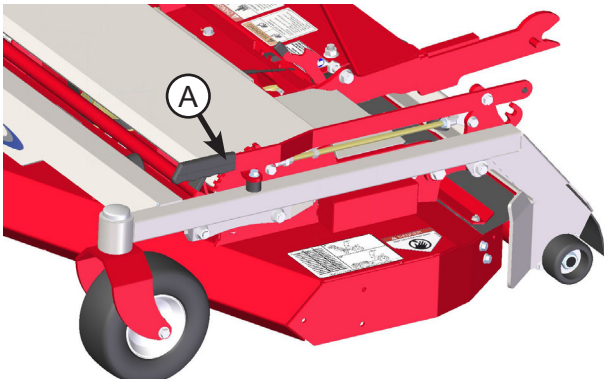
Cutting Unit Safety

- Rotating Blades: Contact with the rotating mower blades or other moving parts may cause personal injury. Keep hands and feet away.
- Rotation of one blade may cause another blade to rotate.
- Thrown Object Hazard: Do not point discharge toward people, animals, or buildings when operating. Never operate with the deflectors removed.
- When not mowing, always shut off the PTO to stop the mower blades.



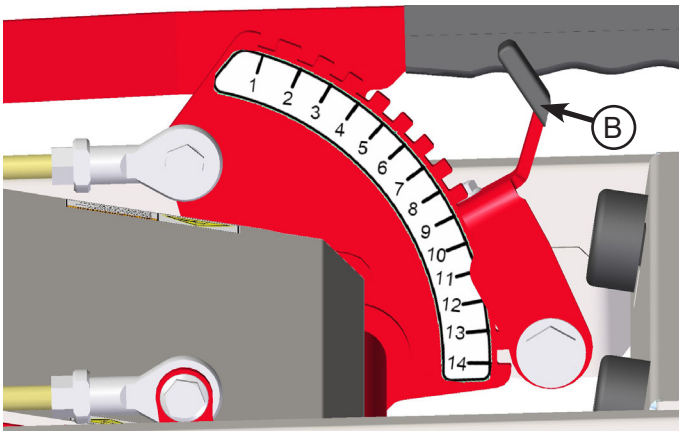
OPERATIONAL CONTROLS

Height Adjust Handle



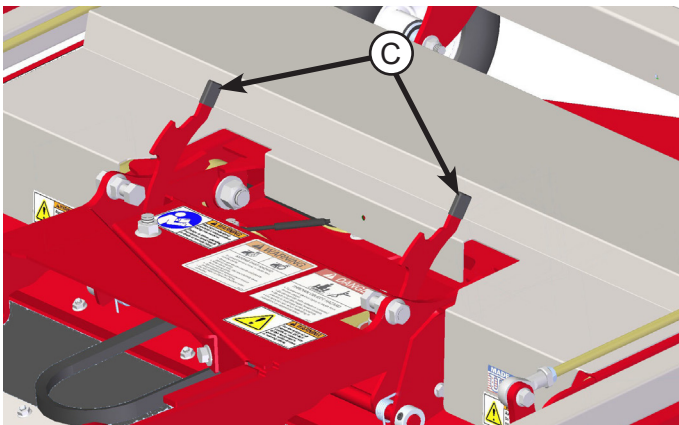
The height adjust handle (A) is used to raise or lower the deck to achieve the desired cutting height.

Height Adjust Latch



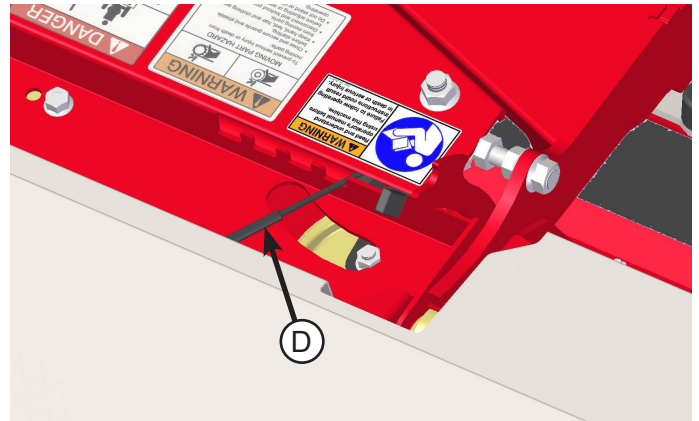
The height adjust latch (B) locks the mower deck at the selected cutting height.

Deck Pivot Latch



The deck pivot latch (C) prevents the mower deck from pivoting too far. The latch can be disengaged to allow the deck to be flipped up to service the underside of the deck. The latch locks the mower deck in the upright position while the service is being completed.

Belt Tension Spring



The belt tension spring (D) places tension on the mower deck belt. It has four different positions to allow adjustments in belt tension.

GENERAL OPERATION

Daily Inspection

⚠ WARNING

Always set the parking brake, shut off the power unit engine, remove the ignition key, and ensure all moving parts have stopped before checking mower deck or blade condition, or attempting any repair or adjustment.

1. Park the power unit and mower deck on a level surface, with the engine shut off and all fluids cold.
2. Perform a visual inspection of the power unit and mower deck. Look for loose or missing hardware, damaged components, or signs of wear. Inspect hydraulic hoses, hydraulic fittings, and fuel lines to ensure tight, leak free connections.
3. Refer to the power unit operator's manual. Check the power unit's engine oil, hydraulic oil, cooling system, tire pressure, and fuel level. Add fluid or service system as required.
4. Inspect the drive belts and mower blades. Belts should be in good condition. Blades should be sharp and securely fastened. Service as required.
5. Refer to the power unit operator's manual. Test the power unit's operator safety interlock system.

Attaching

1. Drive the power unit slowly forward into the hitch arms of the mower. Align the lift arms of the power unit with the mower hitch arms by raising or lowering the front hitch and complete the engagement. NOTE: Height adjust latch should be in setting #14 to attach deck.
2. Once completely engaged, close the front hitch locking lever.*
3. Engage the parking brake* and shut off the engine.
4. Place the attachment belt onto the PTO drive pulley on the power unit.
5. Ensure that the deck belt is properly located in each pulley groove before attempting to operate.
6. Engage the belt tension spring on the mower deck.

Detaching

1. Park the power unit on a level surface and set the parking brake.*
2. Lower the mower to the ground.
3. Shut off power unit engine.
4. Adjust mower deck height to setting #14.
5. Disengage the belt tension spring on the mower deck.
6. Remove the attachment belt from the PTO drive

pulley of the power unit.

7. Disengage the front hitch locking lever.*
8. Restart power unit and slowly back away from the mower.

Mower Operation Techniques & Tips

Select or confirm that the mower is set to cut at the desired height.

Lower the mower deck to the ground and place the S.D.L.A. lever in the FLOAT position* by moving it outward to the second position until the detent engages. The lever will stay in this position after engagement.

The operator must be sitting on the power unit seat before the PTO can be engaged.

With the power unit engine running between 2,000 and 3,000 RPM, engage the PTO switch*. Adjust the throttle to near full engine speed for most mowing conditions. If a good cut can be maintained and there is sufficient power, reducing the engine speed by 200 or 300 RPM will result in improved fuel economy and reduction in wear and tear on the equipment.

Many operators prefer to mow back and forth to create the popular stripe pattern in the cut grass. The full length roller very effectively rolls the cut grass in the direction of travel.

⚠ WARNING

Always shut off the engine, remove the ignition key, and set the parking brake before checking mower deck or blade condition, or attempting any repair or adjustment.

Blades should be kept in good condition. Sharp blades will increase efficiency and improve the quality of cut.

Wet grass has a tendency to build up under the deck. Periodic checking should be done by the operator to determine if the deck should be cleaned. The deck should also be checked anytime mowing performance seems to be reduced.

* Refer to power unit owner's manual for operation of power unit controls.

GENERAL OPERATION

Transport of Mower Deck

Transport the mower deck with the power unit front hitch fully raised. This saves wear and tear on the mower and needless scuffing and rolling over the various surfaces between mowing jobs.

Use moderate speed during transport to maintain control of the power unit and to reduce the amount of shock to the power unit and mower deck caused by uneven terrain.

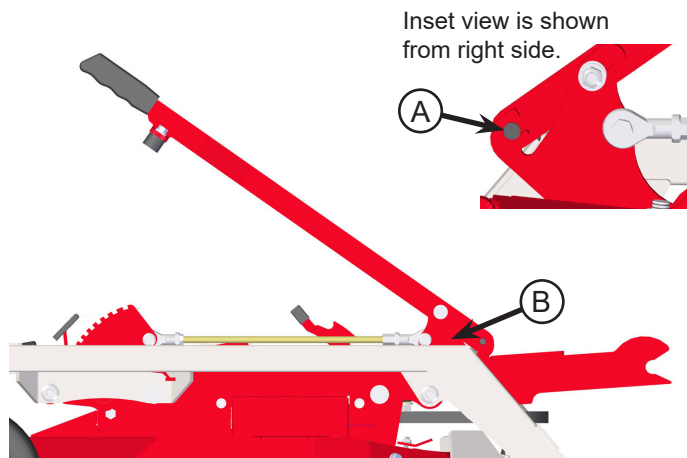
Always disengage the PTO during transport.

Cutting Height Adjustment

⚠ WARNING

Always shut off the engine, remove the ignition key, and set the parking brake before checking mower deck or blade condition, or attempting any repair or adjustment.

1. Lift height adjust handle upward and hook the lock pin (A) into height adjust lift rocker (B).



2. Lift the height adjust handle enough to allow the height adjust latch to be released with other hand.
3. While holding the height adjust latch open, rotate the height adjust handle up or down until the desired cutting height setting is reached.

Position #	Inch	mm
1*	3/4	19
2	1	25
3	1-1/4	32
4	1-1/2	38
5	1-3/4	44
6	2	51
7	2-1/4	57
8	2-1/2	64
9	2-3/4	70
10	3	76
11	3-1/4	83
12	3-1/2	89
13	3-3/4	95
14*	4	102

Refer to Owners Manual for operating instructions

4. When desired setting is reached, release the height adjust latch into the proper notch.
5. Lift height adjust handle free of the height adjust lift rocker and rotate down to lay flat along the carrier frame.

Mulching Kit (Optional Accessory)

Mulching procedures may vary greatly due to climate, type of grass, and soil conditions. It is generally best to mow frequently and in dry conditions.

Leaves are usually mulched and dispersed better when some grass is cut with the leaves.

Mulching often requires more power than normal mowing.

When mulching wet and/or thick grass, more frequent cleaning of the underside of the deck is necessary.

Low lift blades are recommended for mulching. Blades must be sharp and in good condition for best results.

SERVICE

⚠ WARNING

Always set the parking brake, shut off power unit engine, remove the ignition key, and ensure all moving parts have come to a complete stop before inspecting components or attempting any repair or adjustment.



Attention

If any component requires replacement, use only original Ventrac replacement parts.

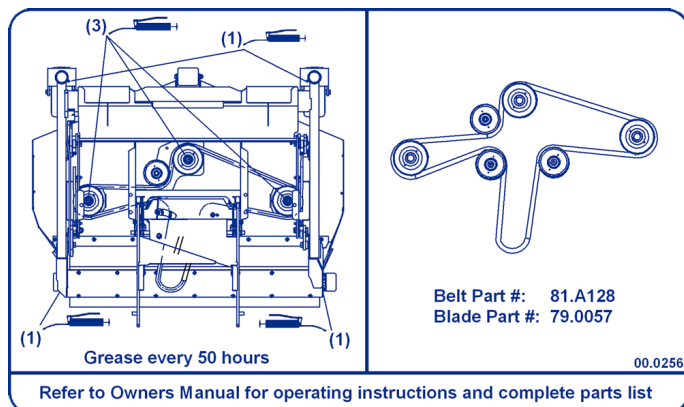
Cleaning and General Maintenance

For best results, and to maintain the finish of the mower, clean or wash the mower to remove accumulated clippings, leaves, and dirt when the job is finished. Refer to the "Deck Flip-up procedure" in the service section to access the underside of the deck. If washing the deck, do not spray directly into bearings or seals. After washing, it is important to run the mower so that water does not reside on seals of bearings for the drive system. When washing is complete, return the deck to the operating position and activate the PTO for 30 seconds to remove any standing water.

Lubrication

Grease after every 50 hours of operation using a lithium complex NLGI #2 grease. In very dirty, sandy, or wet conditions, more frequent greasing is advisable.

Grease points, along with the recommended number of pumps of grease, are shown on a decal located on the underside of the deck shield.



Do not over grease.

Deck Flip-Up Procedure (Service Position)

1. Park power unit on a smooth level surface.
2. Raise power unit front hitch to its highest position.
3. Set parking brake, shut off engine, and remove the key.
4. Adjust the mower deck height to setting #1.
5. Move the deck pivot latch toward the front of the deck to disengage and flip the mower deck up to a near vertical position. Release the deck pivot latch to lock the deck in the upright position.

Mower Blade Removal & Installation

⚠ CAUTION

Mower blades may be sharp. Always wear heavy gloves when working with mower blades.

1. Rotate the mower deck up to the service position following the deck flip-up procedure.
2. Place a short piece of 2 x 4 wood between the end of the blade and an appropriate structural part of the underside of the deck to prevent the blade from rotating.
3. Loosen the blade bolt counterclockwise and remove the blade for sharpening or replacement.
4. When installing a blade, the wood block must be placed on the opposite side to prevent rotation for tightening the blade bolt.
5. Tighten the blade bolt to 75-80 ft. lbs.

Sharpening Blades

Blades should be sharpened and balanced by a professional. Maintain balance, same bevel, and length of sharpened surface.

Tire Pressure

On mower decks equipped with pneumatic (inflatable) tires, the tire pressure should be maintained at 6-8 psi. Pressure variance between left and right tires can cause an uneven cut.

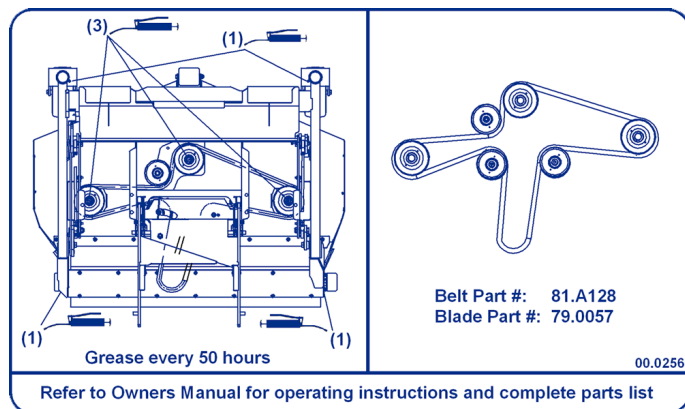
On mower decks with equipped with flat-free tires, no tire pressure adjustments are required. The flat-free cushioning tires provide a maintenance free, consistent cutting height.

SERVICE

Deck Belt Replacement

When the deck belt becomes excessively worn, install a new belt.

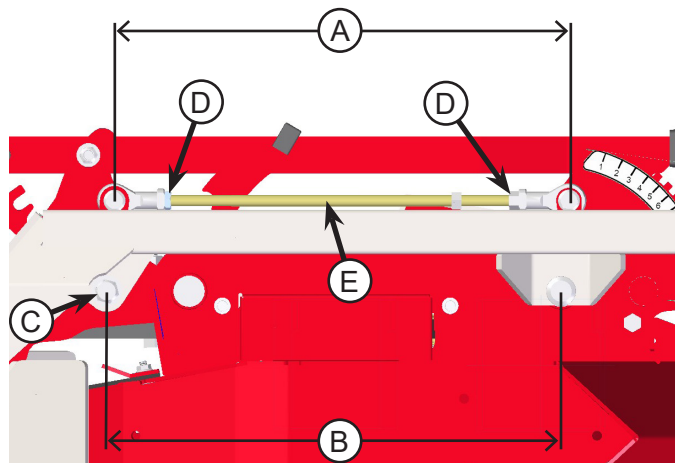
1. Detach the mower deck from the power unit.
2. Raise the deck shield.
3. Remove the old belt.
4. Install the new deck belt. Place belt into the pulley system according to the belt diagram located on the underside of the deck shield.



5. Ensure the belt is engaged in the groove of each spindle pulley and around each of the flat idler pulleys.

Deck Leveling Procedure

1. Place the mower on a hard surface that is clean and level.
2. Place the height adjustment latch in the normal cutting height position (ie. If the deck is usually set at 2" to mow, set it at 2" to level the deck).
3. Ensure both front tires are inflated to the recommended tire pressure (See Tire Pressure section).
4. Turn the mower blade so the tip is at the rear of the deck and measure the distance between the blade tip and the surface the deck is setting on. Rotate the mower blade so the same tip is at the front of the deck and measure again. The blade tip should be level to 1/8" low at the front tip.
5. If the distance is greater than 1/8", the mower deck should be leveled. When leveling the mower deck, it is necessary to keep the hole center to hole center distances between points (A) and (B) within 1/16" to prevent the height adjustment linkage from binding. The hole center to hole center distances also need to stay within 1/16" of each other from the right side to left side.



6. To begin adjustments, loosen the 1/2" bolt (C) that connects the rear pivot link to the carrier frame.
7. Loosen the jam nuts (D) on each end of the connecting rod (E) and adjust the connecting rod to level the blade. The connecting rod has right hand and left hand threads, so it is not necessary to loosen or remove the bolts that fasten the rod ends to the pivot links.
8. When the blade has been leveled, tighten the jam nuts (D) against the spherical rod ends.
9. Tighten the 1/2" bolt (C) that was loosened in step 5. Torque to 80-85 ft-lbs.
10. Repeat steps 4 through 8 for the opposite side of the mower deck.
11. Adjusting one side can affect the opposite side, so care must be taken to recheck both sides of the deck when leveling is complete.

Storage

Preparing Mower for Storage

1. Clean the underside of the deck thoroughly to remove buildup of grass.
2. Clean the top of the deck of any accumulated grass clippings and debris.

Removing Mower from Storage

1. Check tire pressure.
2. Check deck belt for excessive wear. Replace if necessary.
3. Check mower blades. Sharpen if necessary.
4. Check the mower deck for loose or missing shields or hardware. Tighten or replace as necessary.

SERVICE

Maintenance Schedule

LK520

Maintenance Schedule	# of Locations		# of Pumps		AS NEEDED	Daily	At 50 Hours	At 100 Hours	At 150 Hours	At 200 Hours	At 250 Hours	At 300 Hours	At 350 Hours	At 400 Hours	At 450 Hours	At 500 Hours	At 550 Hours	At 600 Hours	At 650 Hours	At 700 Hours	At 750 Hours	At 800 Hours	At 850 Hours	At 900 Hours	At 950 Hours	At 1000 Hours	Yearly
	Grease & Lubrication: See Lubrication Section																										
Caster Wheel Pivot	2	1				✓	✓	✓	✓	✓	✓	✓	✓	✓	✓	✓	✓	✓	✓	✓	✓	✓	✓	✓	✓	✓	✓
Wheel Axle Bearing	2	^	**			✓	✓	✓	✓	✓	✓	✓	✓	✓	✓	✓	✓	✓	✓	✓	✓	✓	✓	✓	✓	✓	✓
Rear Roller Bearing	2	1				✓	✓	✓	✓	✓	✓	✓	✓	✓	✓	✓	✓	✓	✓	✓	✓	✓	✓	✓	✓	✓	✓
Spindle	3	3				✓	✓	✓	✓	✓	✓	✓	✓	✓	✓	✓	✓	✓	✓	✓	✓	✓	✓	✓	✓	✓	✓
Inspection																											
Inspect for Loose, Missing, or Worn Components.					✓																						
Inspect Belts, Pulleys, Blades, and Blade Retaining Bolts					✓																						
Check Tire Pressure, If Applicable					✓																						
Check Hitch Pivot Bolts. Torque to 75 ft-lbs.						✓		✓		✓		✓		✓		✓		✓		✓		✓		✓		✓	
Inspect Safety Decals					✓																						
** Operation in severe conditions may require more frequent service intervals.																											
^ Grease until fresh grease is visible.																											

Maintenance Checklist

LK520

Maintenance Checklist	# of Locations		# of Pumps		AS NEEDED	Daily	At 50 Hours	At 100 Hours	At 150 Hours	At 200 Hours	At 250 Hours	At 300 Hours	At 350 Hours	At 400 Hours	At 450 Hours	At 500 Hours	At 550 Hours	At 600 Hours	At 650 Hours	At 700 Hours	At 750 Hours	At 800 Hours	At 850 Hours	At 900 Hours	At 950 Hours	At 1000 Hours	Yearly
	Grease & Lubrication: See Lubrication Section																										
Caster Wheel Pivot	2	1																									
Wheel Axle Bearing	2	^	**																								
Rear Roller Bearing	2	1																									
Spindle	3	3																									
Inspection																											
Inspect for Loose, Missing, or Worn Components.																											
Inspect Belts, Pulleys, Blades, and Blade Retaining Bolts																											
Check Tire Pressure, If Applicable																											
Check Hitch Pivot Bolts. Torque to 75 ft-lbs.																											
Inspect Safety Decals																											
** Operation in severe conditions may require more frequent service intervals.																											
^ Grease until fresh grease is visible.																											

SPECIFICATIONS

Dimensions

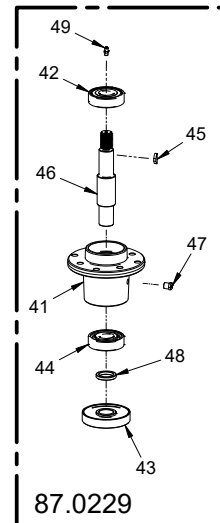
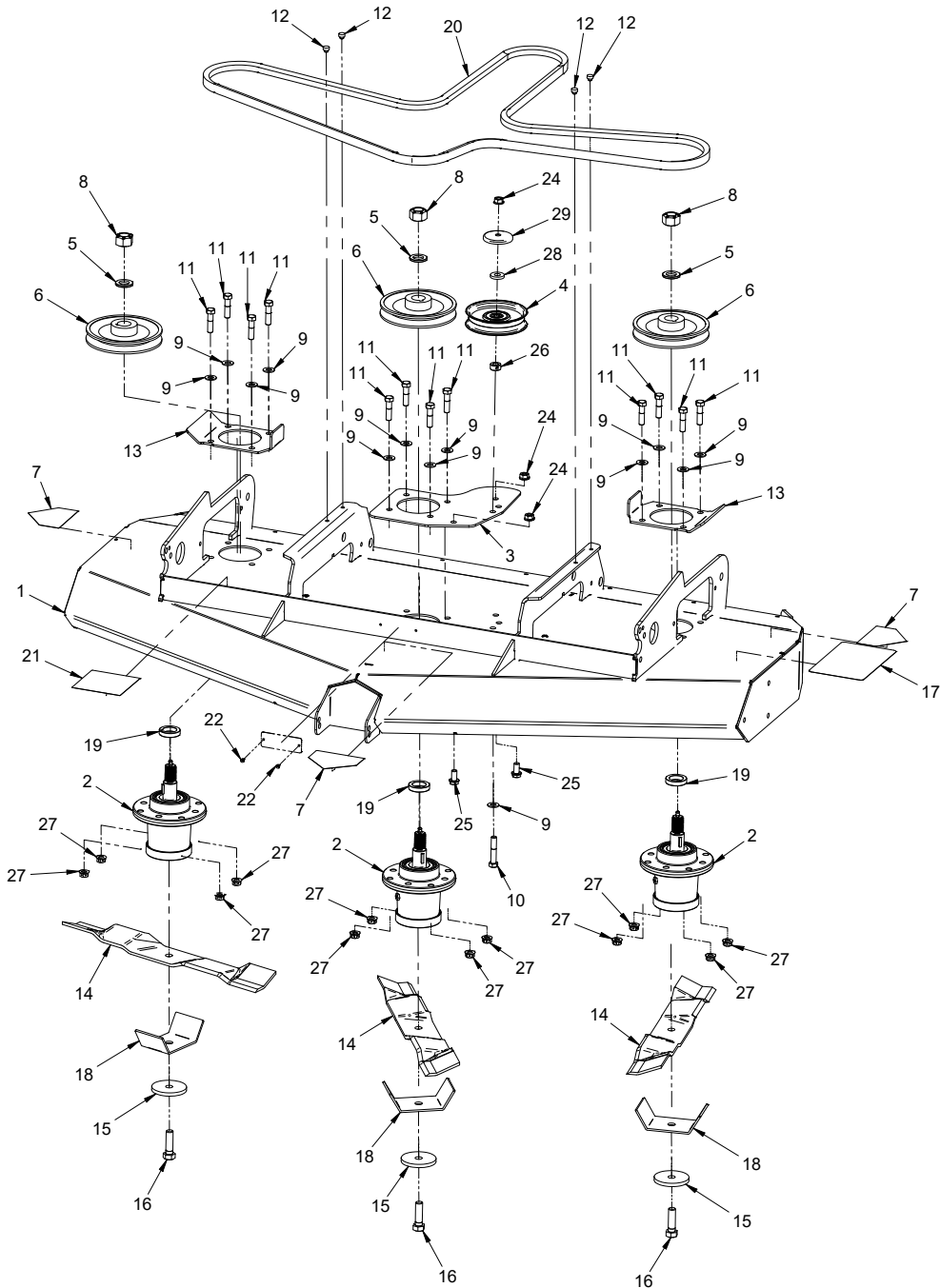
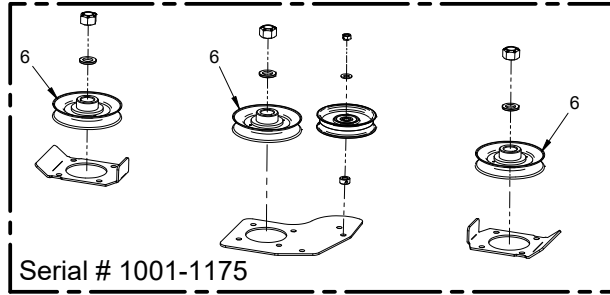
Overall Height	14 1/2 inches (36.8 cm)
Overall Length	42 1/4 inches (107.3 cm)
Overall Width	52 3/8 inches (133 cm)
Weight.	290 pounds (131.5 kg)
Cutting Width	52 inches (132.1 cm)
Cutting Height (approximate)	3/4" (1.9 cm) Min. to 4" (10.2 cm) Max.
Cutting Height Adjustment Increments	every 1/4 inch (.6 cm)

Features

- Flip-up deck
- Full floating deck
- Full rear roller for even cutting and striping
- Center front roller for anti-scalping
- Rear discharge enables trimming on both left and right sides
- Field serviceable spindles with top grease fittings

PARTS

ILLUSTRATED DRAWING Deck & Spindles



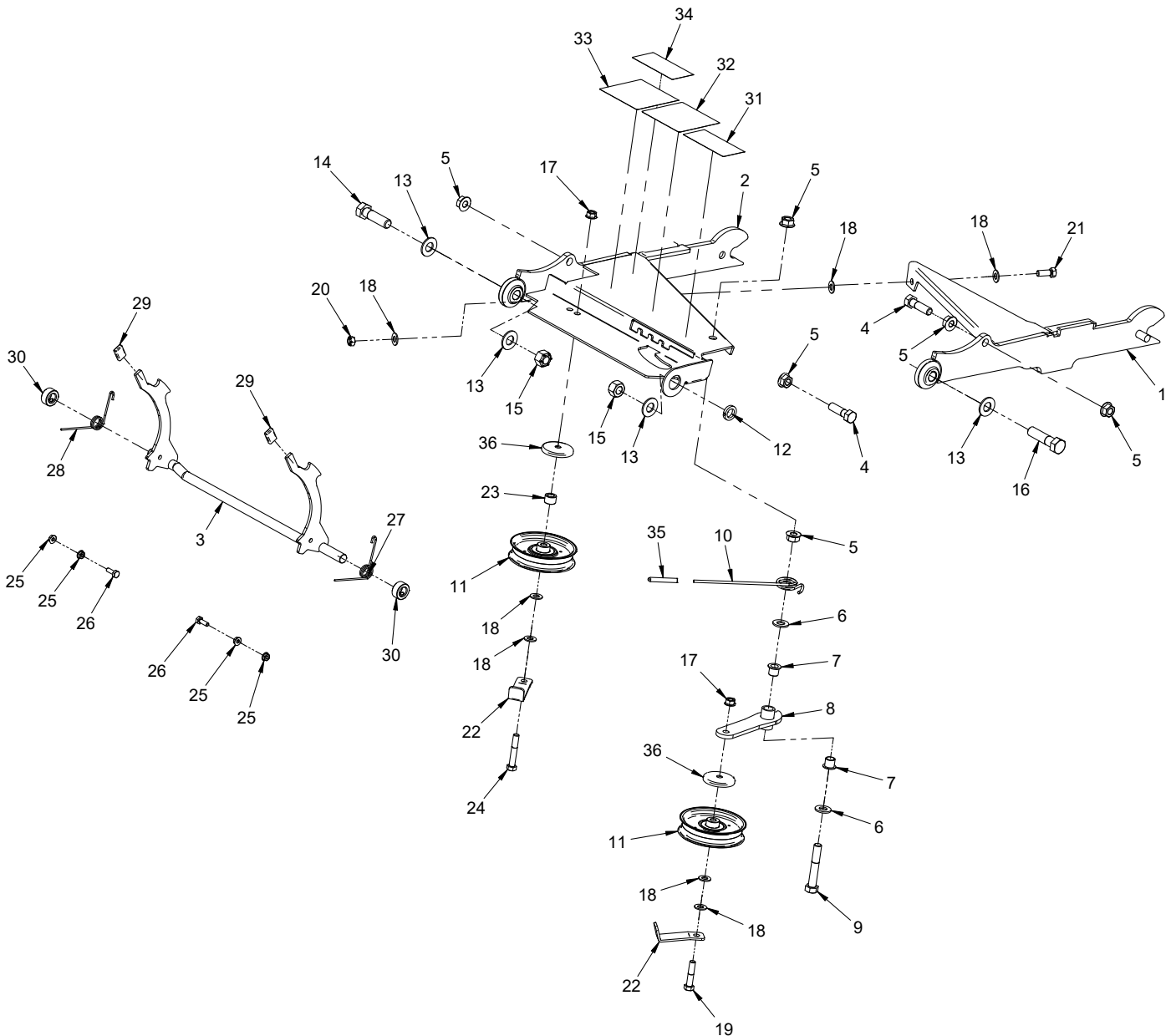
PARTS

Deck & Spindles

REF.	PART NO.	DESCRIPTION	QTY.
1	62.1285	.DECK, MOWER WELDMENT 52"	1
2	87.0229	.SPINDLE, ASM RH 25MM AL	3
3	64.1382	.PLATE, CENTER SPINDLE LK520	1
4	83.0037	.PULLEY, IDLER FLAT 4" X 3/8.	1
5	99.B0057-2	.WASHER, MACH 3/4 X 1-1/4 10 GA ZP	3
6	83.0050	.PULLEY, 5-1/8, 25 MM STR. BORE (Serial # 1001-1175)	3
6	83.BK5725M	.PULLEY, 5.7" 25MM BORE 1/4 KEY (Serial # 1176-)	3
7	00.0123	.DECAL, KEEP HANDS & FEET CLEAR	3
8	99.A12NF	.LOCKNUT, STOVER 3/4-16 SAE	3
9	95.06	.WASHER, FLAT 3/8 SAE	13
10	90.0616	.BOLT, HEX 3/8-16 UNC X 2	1
11	90.0612	.BOLT, HEX 3/8-16 UNC X 1-1/2	12
12	05.0120	.BUMPER, NEOPRENE 10 GA - 1/4.	4
13	64.1383	.SPINDLE SUPPORT PLATE, OUTSIDE SPINDLES	2
14	79.0057	.BLADE, LOWLIFT - DBL OFFSET	3
14	79.0039	.BLADE, 18.00X1/2 RH F LOWLIFT (Optional)	3
15	99.B0091	.WASHER, .510 ID X 2-1/2 OD 1/4	3
16	91.0814-8	.BOLT, 1/2-20 X 1-3/4 GR8	3
17	00.0255	.DECAL, CUTTING HEIGHT CHART LK	1
18	64.2002	.GUARD, SPINDLE/ANTI-STRING	3
19	85.B0080	.BUSHING, 1-1/2 OD, 1 ID	3
20	81.B128	.BELT, B128 (Serial # 1001-1175)	1
20	81.A128	.BELT, A128 (Serial # 1176-)	1
21	00.0062	.DECAL, DANGER SHIELD MISSING	1
22	04.0007	.RIVET, POP DOME 1/8 X 1/8 S.S.	2
24	99.SF06	.NUT, SF 3/8-16 USS	3
25	99.SF0606	.BOLT, FLANGE 3/8-16 UNC X 3/4	2
26	85.SC06	.SET COLLAR, 3/8"	1
27	99.E0082	.NUT, LOCKING FLANGE 3/8-16	12
28	95.06	.WASHER, FLAT 3/8 SAE (Serial # 1001-1290)	1
28	99.G0014	.WASHER, 3/8 USS FW .165 THK (Serial # 1291-)	1
29	60.1056	.COVER, PULLEY (Serial # 1291-)	1
41	87.0209-1	.SPINDLE, HOUSING	1
42	55.0057	.BEARING, BALL 25 MM X 62 MM	1
43	87.0210	.SPINDLE, FLANGE SHIELD	1
44	55.0035	.BEARING, BALL 25 MM X 62 MM	1
45	85.W0406	.KEY, WOODRUFF 1/4 X 3/4, #806 SAE SIZE	1
46	87.0209-2	.SHAFT, SPINDLE RH THREAD 25MM	1
47	29.GF0017	.RELIEF FITTING	1
48	85.B0082	.BUSHING, SPINDLE SHAFT SPACER	1
49	29.GF0001	.GREASE FTG, 1/4 SAE ST	1

PARTS

ILLUSTRATED DRAWING Hitch Arms



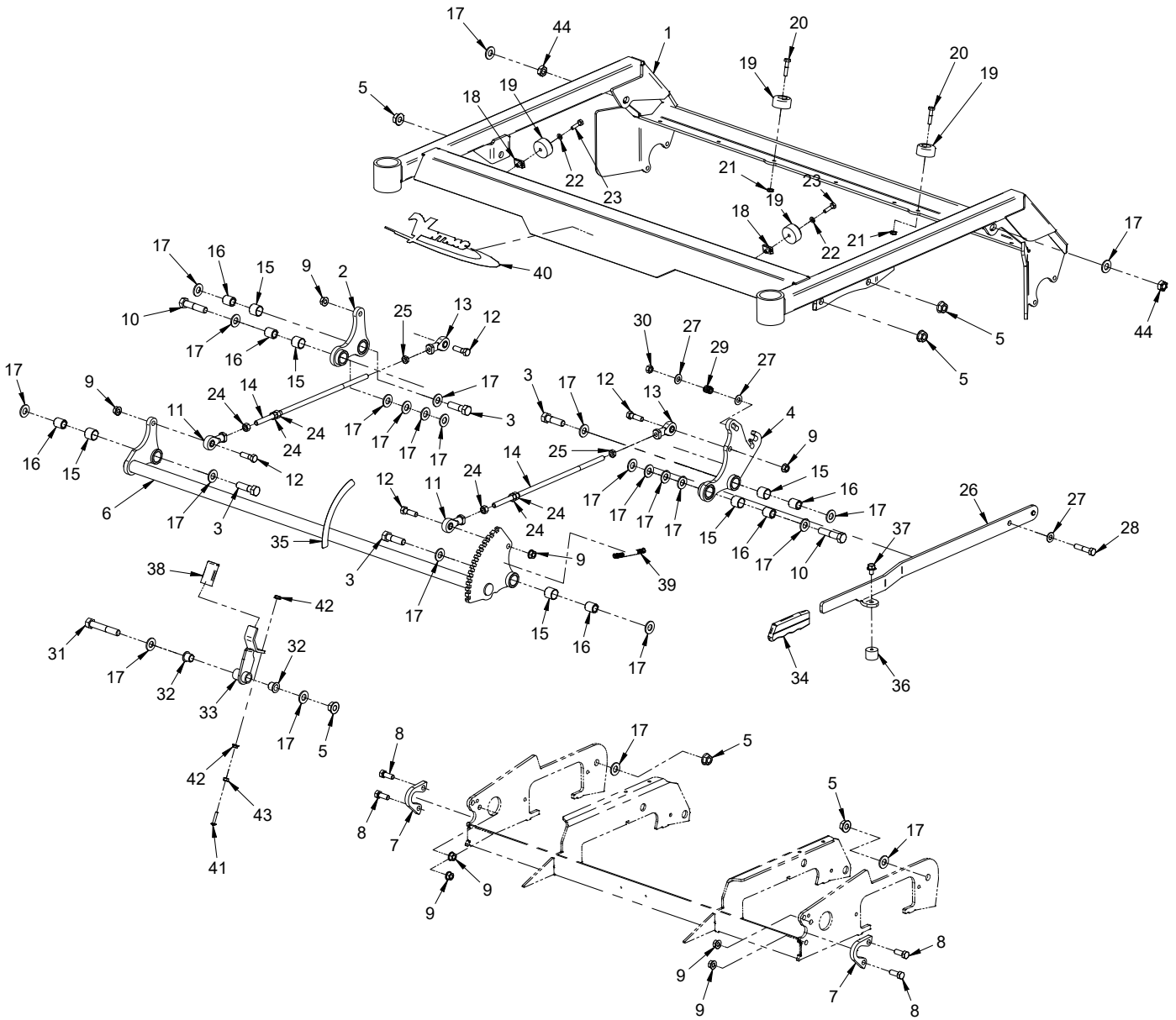
PARTS

Hitch Arms

REF.	PART NO.	DESCRIPTION	QTY.
1	62.1286	.HITCH, ARM LEFT LK520	1
2	62.1287	.HITCH, ARM RIGHT LK520	1
3	64.1378	.LATCH, DECK PIVOT LK520	1
4	90.0814	.BOLT, HEX 1/2-13 UNC X 1-3/4	2
5	99.SF08	.NUT, HEX 1/2-13 UNC FLANGE	6
6	95.08	.WASHER, FLAT 1/2 SAE	2
7	85.B0027	.BUSHING, 1/2 ID X 5/8 OD X 5/8	2
8	40.0351	.IDLER ARM, BELT TENSIONER LK520	1
9	90.0824	.BOLT, HEX 1/2-13 UNC X 3	1
10	41.0066-2	.SPRING, SINGLE TORSION LH	1
11	83.0037	.PULLEY, IDLER FLAT 4" X 3/8	2
12	64.1392	.SPACER, 5/8 ID X 1 OD X 3/16	1
13	95.10	.WASHER, FLAT 5/8 SAE	4
14	90.1018	.BOLT, 5/8-11 UNC X 2-1/4	1
15	99.A10	.LOCKNUT, 5/8-11 UNC RH	2
16	90.1020	.BOLT, 5/8-11 UNC X 2-1/2	1
17	99.SF06	.NUT, HEX 3/8-16 UNC FLANGE	2
18	95.06	.WASHER, FLAT 3/8 SAE	7
19	90.0614	.BOLT, HEX 3/8-16 UNC X 1-3/4	1
20	99.A06	.LOCKNUT, 3/8-16 UNC RH	1
21	90.0608	.BOLT, HEX 3/8-16 UNC X 1	1
22	60.0726	.SHIELD, IDLER BELT GUARD	2
23	64.1395	.BUSHING, 7/16" ID X 3/4" OD X 1/2" L	1
24	90.0618	.BOLT, HEX 3/8-16 UNC X 2-1/4	1
25	99.SF04	.NUT, HEX 1/4-20 UNC FLANGE	4
26	90.0406	.BOLT, HEX 1/4-20 UNC X 3/4"	2
27	41.0093	.SPRING, TORSION LH SS	1
28	41.0092	.SPRING, TORSION RH SS	1
29	06.0044	.CAP, PLASTIC 1/8 X 1/2 X 7/8	2
30	85.SC10	.SET COLLAR, 5/8"	2
31	00.0217	.DECAL, WARNING READ OWNERS MANUAL	1
32	00.0101	.DECAL, HAZARD-MOVING PART	1
33	00.0122	.DECAL, THROWN OBJECT HAZARD	1
34	00.0220	.DECAL, GENERAL SAFETY	1
35	06.0060	.CAP, VINYL 3/16 ID X 2 LONG	1
36	95.06	.WASHER, FLAT 3/8 SAE (Serial # 1001-1290)	2
36	60.1056	.COVER, PULLEY (Serial # 1291-)	2

PARTS

ILLUSTRATED DRAWING Carrier Frame



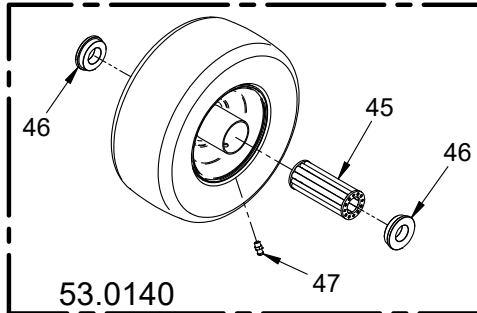
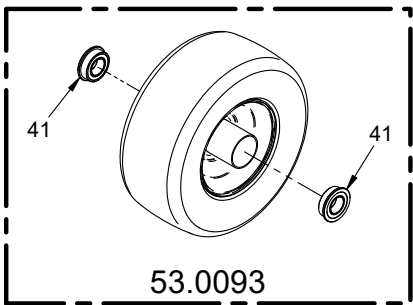
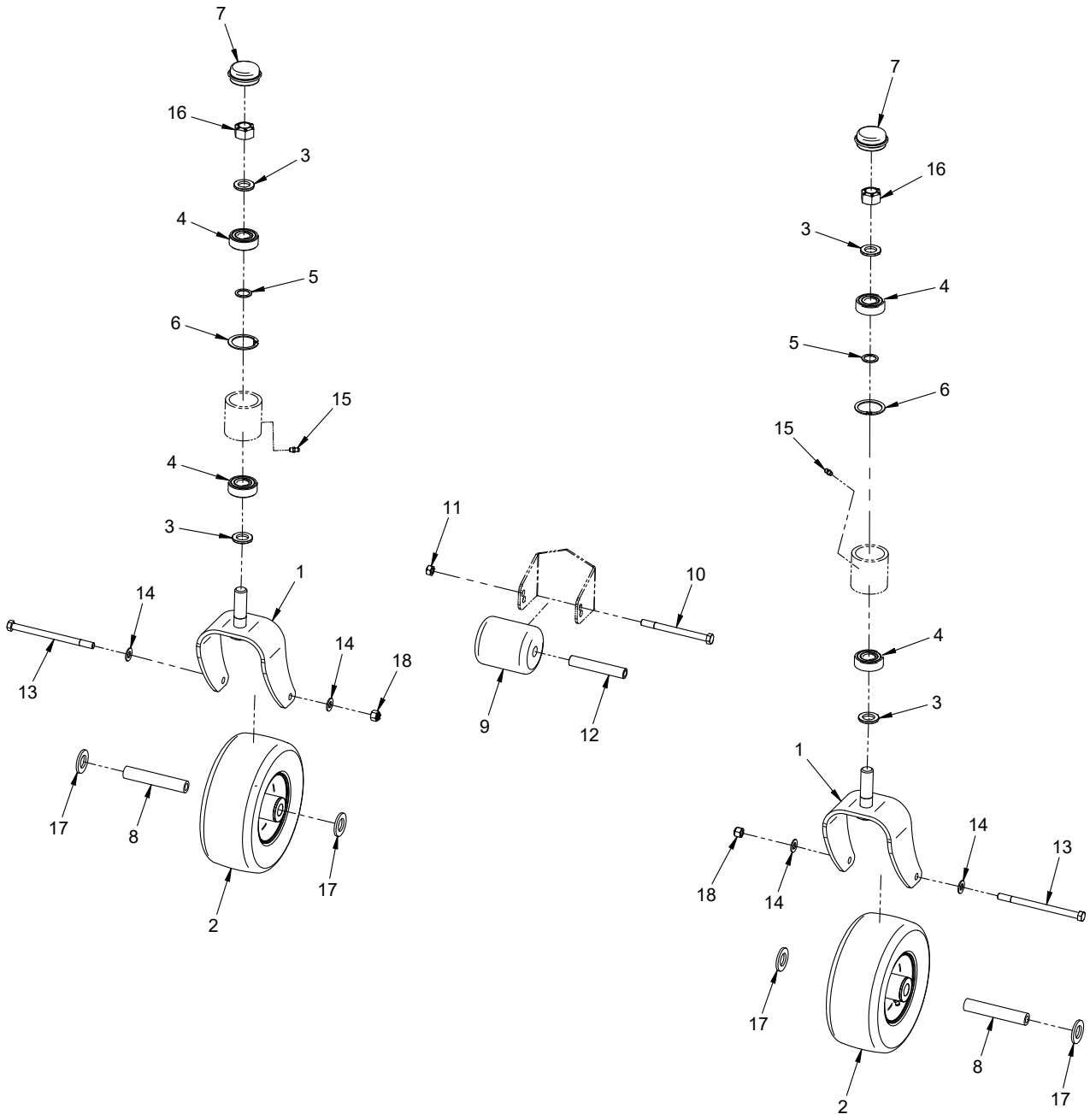
PARTS

Carrier Frame

REF.	PART NO.	DESCRIPTION	QTY.
1	62.1284	.FRAME, CARRIER LK520	1
2	42.0524	.LINK, RIGHT REAR LIFT ROCKER LK520	1
3	90.0814	.BOLT, HEX 1/2-13 UNC X 1-3/4	4
4	42.0525	.LINK, HT ADJ LIFT ROCKER LK520	1
5	99.SF08	.NUT, HEX 1/2-13 UNC FLANGE	6
6	42.0526	.SHAFT, HT ADJ CROSSBAR LK520	1
7	64.1375	.RETAINER, HT ADJ SHAFT LK520	2
8	90.0608	.BOLT, HEX 3/8-16 UNC X 1	4
9	99.SF06	.NUT, HEX 3/8-16 UNC FLANGE	8
10	90.0818	.BOLT, HEX 1/2-13 UNC X 2-1/4	2
11	43.006	.ROD END, 3/8 SPHERICAL, FEMALE	2
12	90.0610	.BOLT, HEX 3/8-16 UNC X 1-1/4	4
13	43.006L	.ROD END, 3/8 SPHERICAL, LH THRD	2
14	42.0523	.ROD, THREAD 3/8-24 X 13.5 RH/LH	2
15	85.B0087	.BUSHING, 3/4 ID X 7/8 OD X 3/4	6
16	64.1394	.BUSHING, .510 ID X .750 OD X .813 SS	6
17	95.08	.WASHER, FLAT 1/2 SAE	24
18	99.E0046	.NUT, "U" 1/4-20 EXTRUDED	2
19	05.0095	.BUMPER, RUBBER CYLINDRICAL	4
20	90.0410	.BOLT, HEX 1/4-20 UNC X 1/1-4"	2
21	99.A04	.LOCKNUT, 1/4-20 UNC RH	2
22	96.04	.WASHER, LOCK 1/4	2
23	90.0408	.BOLT, HEX 1/4-20 UNC X 1"	2
24	93.06	.NUT, HEX 3/8-24 UNF	4
25	99.E0083	.NUT, JAM 3/8-24 SAE LH ZP	2
26	40.0352	.HANDLE, HT ADJ SELECTOR	1
27	95.06	.WASHER, FLAT 3/8 SAE	3
28	90.0614	.BOLT, HEX 3/8-16 UNC X 1-3/4	1
29	41.0039	.SPRING, COMP. 9/16 OD X 5/8	1
30	99.A06	.LOCKNUT, 3/8-16 UNC RH	1
31	90.0824	.BOLT, HEX 1/2-13 UNC X 3	1
32	85.B0027	.BUSHING, 1/2 ID X 5/8 OD X 5/8	2
33	64.1376	.LATCH, HEIGHT ADJUST LK520	1
34	47.0086	.GRIP, SLIP-ON HANDLE - BLACK	1
35	00.0253	.DECAL, HEIGHT ADJUST PLATE LK	1
36	05.0110	.BUMPER, RUBBER 1" DIA	1
37	99.SF0504	.BOLT, SF 5/16-18 X 1/2	1
38	06.0051	.CAP, 3/16 X 15/16 X 1-3/4 FE	1
39	41.0086	.SPRING, EXT 3/8" OD X 4" LONG	1
40	00.0189	.DECAL, VENTRAC ORBITAL	1
41	99.K0059	.MACHINE SCREW, #10-32 X 1	1
42	99.E0035	.NUT, SF #10-32	2
43	99A1032N	.LOCKNUT, NYLON 10-32 STAINLESS	1
44	99.A08	.LOCKNUT, 1/2-13 UNC RH	2

PARTS

ILLUSTRATED DRAWING Front Wheel & Caster



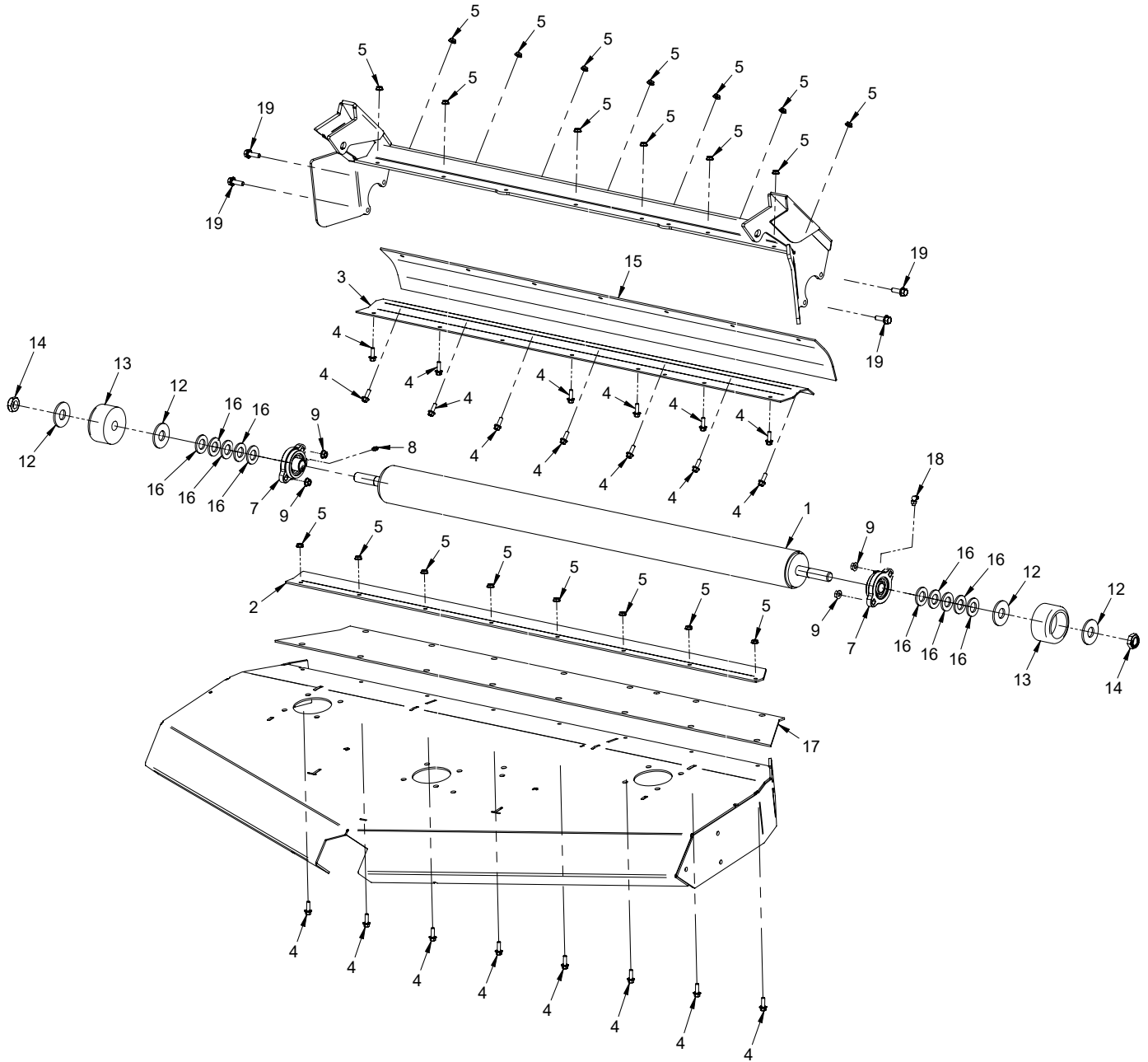
PARTS

Front Wheel & Caster

REF.	PART NO.	DESCRIPTION	QTY.
1	50.0185	.SPINDLE, TIRE SWIVEL 9"	2
2	53.0093	.WHEEL, ASM 9 X 3.5 X 4 SMOOTH (Serial # 1001 - 1231)	2
2	53.0140	.WHEEL, ASM 9 X 3.5 X4 FLATFREE (Serial # 1232-)	2
3	99.B0057-2	.WASHER, MACH 3/4 X 1-1/4 10 GA ZP	4
4	55.0023	.BEARING, BALL .75 ID X 1.78 OD	4
5	99.B0052	.SHIM, STEEL 3/4 X 1 X .062	2
6	04.0013	.SNAP RING, INT .068 X 1.75	2
7	53.0080	.DUST CAP, BEARING MOWER CASTER	2
8	50.0055	.TUBE, AXLE-WHEEL LM	2
9	50.0047	.ROLLER, FRONT 3" DIA X 3-1/2"	1
10	90.0636	.BOLT, HEX 3/8-16 UNC X 4-1/2	1
11	99.A06	.LOCKNUT, STOVER 3/8-16 USS	1
12	50.0046	.TUBE, AXLE / FT ROLLER SPINDLE	1
13	90.0644	.BOLT, HEX 3/8-16 UNC X 5-1/2	2
14	95.06	.WASHER, FLAT 3/8 SAE	4
15	29.GF0001	.GREASE FTG, 1/4 SAE ST	2
16	99.A12NF	.LOCKNUT, STOVER 3/4-16 SAE	2
17	95.12	.WASHER, FLAT 3/4 SAE	4
18	99.A06N	.LOCKNUT, NYLON 3/8-16 USS	2
41	55.0060	.BEARING, DOUBLE-SEALED	2
45	55.0071	.BEARING, 3/4 ROLLER 3.25" LONG	1
46	55.0072	.BEARING, RETAINER 3/4"	2
47	29.GF0001	.GREASE FTG, 1/4 SAE ST	1

PARTS

ILLUSTRATED DRAWING Rear Roller



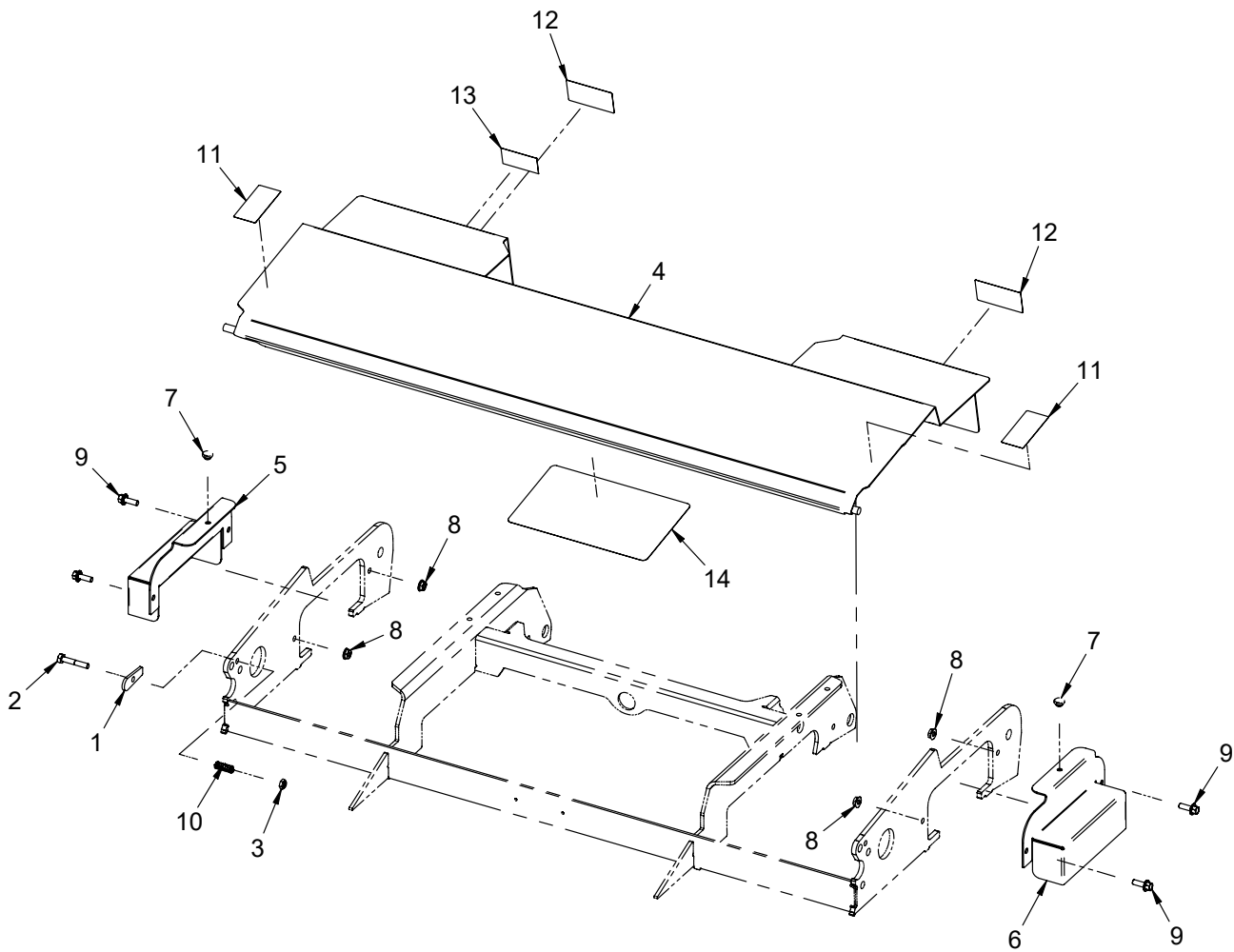
PARTS

Rear Roller

REF.	PART NO.	DESCRIPTION	QTY.
1	80.0371	.ROLLER, REAR DECK LK520	1
2	64.1381	.CLAMP, BELTING FRONT LK520	1
3	64.1380	.CLAMP, BELTING LK520	1
4	99.SF0406	.BOLT, SF 1/4-20 X 3/4	21
5	99.SF04	.NUT, HEX 1/4-20 UNC FLANGE	21
7	55.FB16012-1	.BEARING, FLANGE BLOCK 3/4"	2
8	29.GF0001	.GREASE FTG, 1/4 SAE ST	1
9	99.SF05	.NUT, HEX 5/16-20 UNC FLANGE	4
12	94.12	.WASHER, FLAT 3/4 USS	4
13	50.0181	.ROLLER, END 3" OD X 3/4 ID	2
14	99.E0088	.NUT, JAM 3/4-10 USS NYLON LOCKNUT	2
15	44.0246	.BELTING, REAR FLAP LK520	1
16	95.12	.WASHER, FLAT 3/4 SAE	10
17	44.0247	.BELTING, ROLLER COVER LK520	1
18	29.GF0002	.GREASE FTG, 1/4 SAE 90	1
19	99.SF0508	.BOLT, SF 5/16-18 USS X 1	4

PARTS

ILLUSTRATED DRAWING Deck Shields



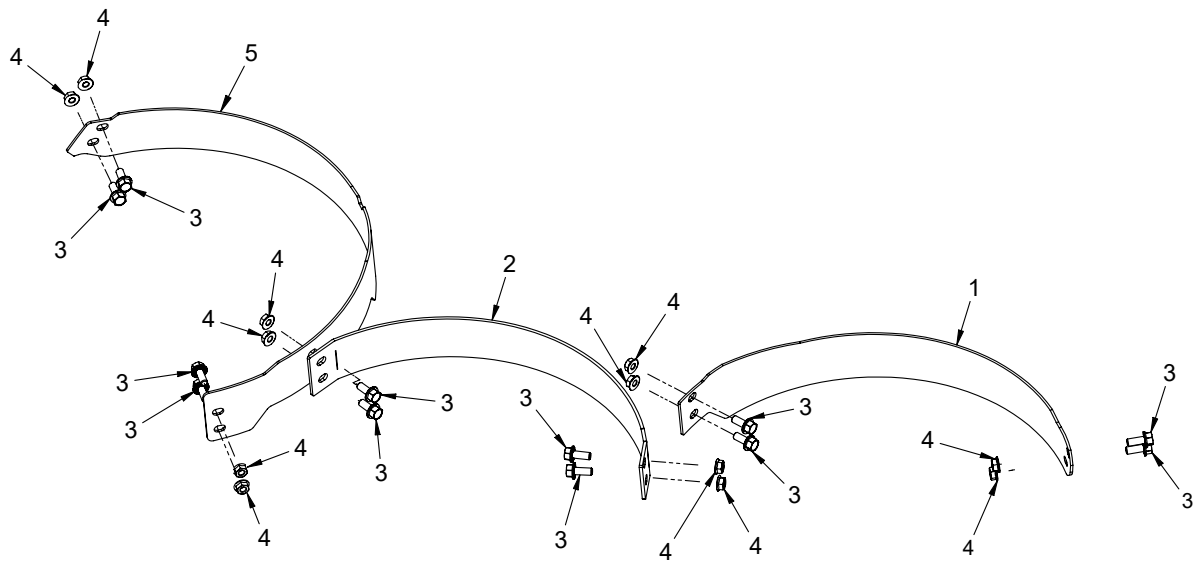
PARTS

Deck Shields

REF.	PART NO.	DESCRIPTION	QTY.
1	64.1379	.BRACKET, SHIELD SPRING	1
2	90.0412	.BOLT, HEX 1/4-20 UNC X 1-1/2"	1
3	99.A04	.LOCKNUT, 1/4-20 UNC RH	1
4	60.1017	.SHIELD, DECK LK520	1
5	60.1018	.SHIELD, SPINDLE RIGHT LK520	1
6	60.1019	.SHIELD, SPINDLE LEFT LK520	1
7	05.0062	.BUMPER, RUBBER SOLID STEM	2
8	99.SF04	.NUT, HEX 1/4-20 UNC FLANGE	4
9	99.SF0406	.BOLT, SF 1/4-20 X 3/4	4
10	41.0094	.SPRING, COMP 3/8 OD X 1" LG	1
11	00.0218	.DECAL, WARNING PINCH POINT	2
12	00.0219	.DECAL, WARNING DO NOT REACH	2
13	00.0100	.DECAL, MADE IN USA	1
14	00.0256	.DECAL, MAINTENANCE	1

PARTS

ILLUSTRATED DRAWING 70.8083 LK520 Mulching Kit



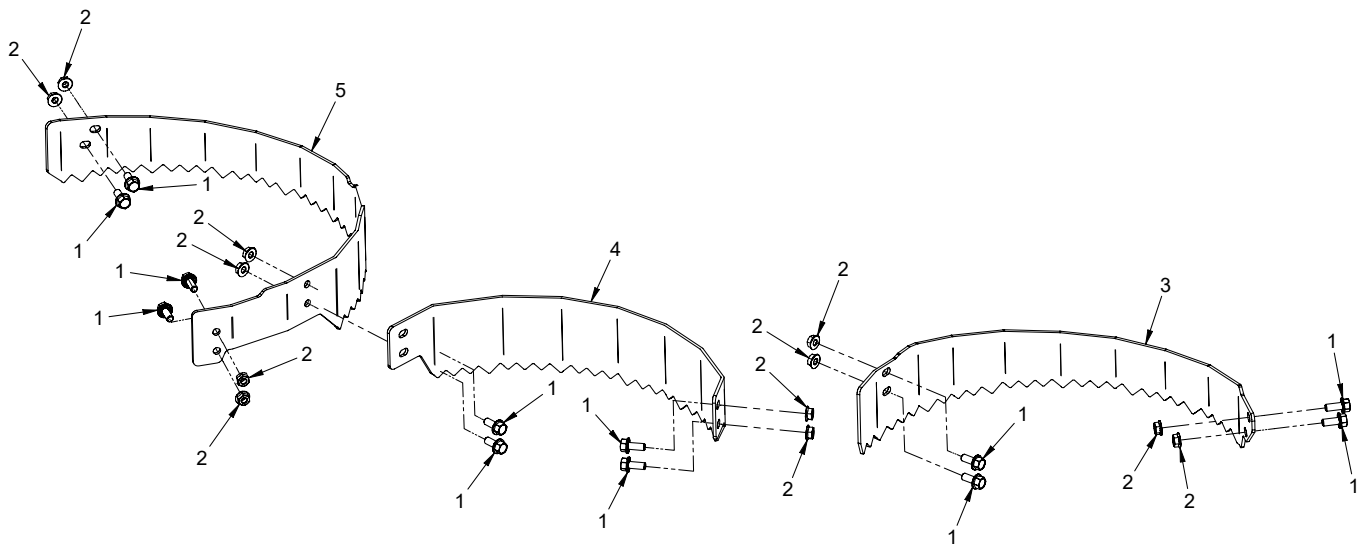
PARTS

70.8083 LK520 Mulching Kit

REF.	PART NO.	DESCRIPTION	QTY.
1	64.1384	.RING, MULCHING LEFT LK520	1
2	64.1386	.RING, MULCHING CENTER LK520	1
3	99.SF0506	.BOLT, SF 5/16-18 USS X 3/4	12
4	99.SF05	.NUT, HEX 5/16-20 UNC FLANGE	12
5	64.1385	.RING, MULCHING RIGHT LK520	1

PARTS

ILLUSTRATED DRAWING 70.8110 LK520 Mulching Kit



PARTS

70.8110 LK520 Mulching Kit

REF.	PART NO.	DESCRIPTION	QTY.
1	99.SF0506	.BOLT, SF 5/16-18 USS X 3/4	12
2	99.SF05	.NUT, SF 5/16-18 USS	12
3	64.1504	.RING, MULCHING LEFT LK520	1
4	64.1503	.RING, MULCHING CENTER LK520	1
5	64.1505	.RING, MULCHING RIGHT LK520	1

WARRANTY



LIMITED WARRANTY - VENTRAC COMMERCIAL EQUIPMENT

Venture Products, Inc., (henceforth referred to as V.P.I.) warrants on the terms and conditions herein, that it will repair, replace, or adjust any part manufactured by Venture Products Inc., and found by Venture Products, Inc., to be defective in material and/or workmanship during the applicable warranty term.

All Ventrac commercial equipment purchased and registered on or after January 1, 2019 will carry a 2-year commercial warranty. The warranty period begins on the date of original customer purchase:

Ventrac Commercial Equipment	Warranty Term
2100 SSV & Attachments	2-year
3000 Series Tractors & Attachments	2-year
4000 Series Tractors & Attachments	2-year

All Ventrac add-on kits and accessories such as: 3-point hitch, 12V front & rear power outlets, foot pedal, dual wheel kit, etc., will be covered under the above warranty periods provided they are installed by an Authorized Ventrac Dealer. This warranty may be transferred and will carry the remainder of the warranty starting from the original purchase/registration date with the dealership and/or V.P.I.

The engine warranty is covered by its respective engine manufacturer. Please refer to the engine manufacturer's warranty statement that is included in the owner's manual.

For warranty consideration on Ventrac commercial equipment, including any defective part, must be returned to an Authorized Ventrac Dealer within the warranty period. The warranty shall extend to the cost to repair or replace (as determined by V.P.I.) the defective part. The expense of pickup and delivery of equipment, service call drive time or any transportation expense incurred for warranty repair is the sole responsibility of the owner and is not covered under warranty by Ventrac and/or V.P.I. Ventrac and V.P.I.'s responsibility in respect to claims is limited to making the required repairs or replacements, and no claim of breach of warranty shall be cause for cancellation or rescission of the contract of sale of any Ventrac equipment. Proof of purchase may be required by the dealer to substantiate any warranty claim. Only warranty work performed and submitted by an Authorized Ventrac Dealer may be eligible for warranty credit.

This warranty extends only to Ventrac commercial equipment operated under normal conditions and properly serviced and maintained. The warranty expressly does NOT cover: (a) any defects, damage or deterioration due to normal use, wear and tear, or exposure; (b) normal maintenance services, such as cleaning, lubrication, oil change; (c) replacement of service items, such as oil, lubricants, spark plugs, belts, rubber hoses, bearings or other items subject to normal service replacement; (d) damage or defects arising out of, or relating to abuse, misuse, neglect, alteration, negligence or accident; (e) repair or replacement arising from operation of, or use of the equipment which is not in accordance with operating instructions as specified in the operator's manual or other operational instructions provided by V.P.I.; (f) repair or replacement arising as a result of any operation from Ventrac equipment that has been altered or modified so as to, in the determination of V.P.I., adversely affect the operation, performance or durability of the equipment or that has altered, modified or affected the equipment so as to change the intended use of the product; (g) repair or replacement necessitated by the use of parts, accessories or supplies, including gasoline, oil or lubricants, incompatible with the equipment or other than as recommended in the operator's manual or other operational instructions provided by V.P.I.; (h) repairs or replacements resulting from parts or accessories which have adversely affected the operation, performance or durability of the equipment; or (i) damage or defects due to or arising out of repair of Ventrac equipment by person or persons other than an authorized Ventrac service dealer or the installation of parts other than genuine Ventrac parts or Ventrac recommended parts.

WARRANTY



LIMITED WARRANTY - VENTRAC COMMERCIAL EQUIPMENT

The sole liability of V.P.I. with respect to this warranty shall be the repair and replacement as set forth herein. V.P.I. shall have no liability for any other cost, loss, or damage. In particular V.P.I. shall have no liability or responsibility for: (i) expenses relating to gasoline, oil, lubricants; (ii) loss, cost or expense relating to transportation or delivery of turf equipment from the location of owner or location where used by owner to or from any Authorized Ventrac Dealer; (iii) travel time, overtime, after hours' time or other extraordinary repair charges or charge relating to repairs or replacements outside of normal business hours at the place of business of an Authorized Ventrac Dealer; (iv) rental of like or similar replacement equipment during the period of any warranty repair or replacement work; (v) any telephone or telegram charges; (vi) loss or damage to person or property other than that covered by the terms of this warranty; (vii) any claims for lost revenue, lost profit or additional cost or expense incurred as a result of a claim of breach of warranty; or (viii) attorney's fees.

The remedies of buyer set forth herein are exclusive and are in lieu of all other remedies. The liability of V.P.I., whether in contract, tort, under any warranty, or otherwise, shall not extend beyond its obligation as set forth herein. V.P.I. shall not be liable for cost of removal or installation nor shall V.P.I. be responsible for any direct, indirect, special or consequential damages of any nature. In no event shall V.P.I. be liable for any sum in excess of the price received for the goods for which liability is claimed.

There are no representations or warranties which have been authorized to the buyer of the Ventrac commercial equipment other than set forth in this warranty. Any and all statements or representations made by any seller of this equipment, including those set forth in any sales literature or made orally by any sales representative, are superseded by the terms of this warranty. Any affirmation of fact or promise made by V.P.I. or any of its representatives to the buyer which relates to the goods that are the subject to this warranty shall not be regarded as part of the basis of the bargain and shall not be deemed to create any express warranty that such goods shall conform to the affirmation or promise.

No employee, distributor, or representative is authorized to change the foregoing warranties in any way or grant any other warranty on behalf of V.P.I.

Some states do not allow limitations on how long an implied warranty lasts or allow the exclusion on limitation of incidental or consequential damages, so the above limitation or exclusion may not apply to you.

This warranty gives you specific legal rights, and you may also have other rights which vary from state to state.

This warranty applies to all Ventrac commercial equipment sold by Venture Products Inc.